

lifetime limited warranty

Limited lifetime warranty on frame and cross braces
One year limited warranty on other components

Your Drive DeVilbiss brand product is warranted to be free of defects in materials and workmanship for the lifetime of the original consumer purchaser.

This device was built to exacting standards and carefully inspected prior to shipment. This Lifetime Limited Warranty is an expression of our confidence in the materials and workmanship of our products and our assurance to the consumer of years of dependable service.

In the event of a defect covered by this warranty, we will, at our option, repair or replace the device.

This warranty does not cover device failure due to owner misuse or negligence, or normal wear and tear. The warranty does not extend to non-durable components, such as rubber accessories, casters, and grips, which are subject to normal wear and need periodic replacement.

This warranty does not cover damage resulting from transit use or from exceeding weight limit for user plus items carried.

If you have a question about your Drive DeVilbiss device or this warranty, please contact an authorized Drive DeVilbiss dealer.

drive

DeVilbiss
HEALTHCARE



drive | **DeVilbiss**
HEALTHCARE

Drive DeVilbiss Healthcare Ltd, Heathfield Lane,
Birkenshaw, West Yorkshire, BD11 2HW

Tel: 0845 0600 333 | Fax: 0845 0600 334

Email: info@drivedevilbiss.co.uk

www.drivedevilbiss.co.uk

Trotter® Mobility Chair User Manual

CE

[Click here to view detailed product information and pricing.](#)

Call 800-397-5899 to order today!

features



1. Wheel locks
2. Rear Wheels
3. Front Wheels
4. Folding Mechanism
5. Push Handle
6. Bus Transit Tie Downs (optional)
7. Footrest
8. Five-points "H" Harness with Padded Covers & Pelvic Belt
9. Closure Strap

operating instructions:

NOTE:

Before seating a child always check that the mobility chair is properly locked in its upright position and that the wheel locks are engaged.

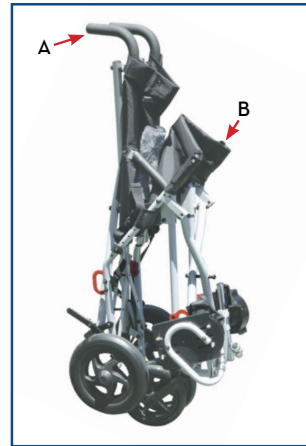


figure 1

A. UNFOLDING (Fig 1)

1. Unhook closure strap.
2. Place chair in the upright position, hold one push handle (A) and press firmly on the seat rail (B) on the opposite side.
3. Press down the seat rail until the chair is completely open.
4. Press down the locking brace to its full extended position (Fig. 2).



figure 2

B. WHEEL LOCKS (Fig 3)

1. To engage, pull both wheel lock levers (A) back until the locking bar pushes into the wheel and the lever locks into position.
2. To disengage, lift both wheel lock levers until the locking bar comes free of the tire and the lever locks into position.



figure 3

C. FOOTREST

1. At the lowest point, footplates should be at least 2" off the ground.
2. Avoid putting weight on the footrest.
3. Never lift the Trotter® Mobility Chair by the footrest.

D. FOLDING (Fig 3)

1. Engage wheel locks (A). Remove the child from the chair.
2. Trotter® Mobility Chair cannot be folded with head rest extension (B).
3. Swing footrest to the side.
3. Lift locking brace (Fig. 2A) from the center.
4. Lift center of seat slightly.
5. Hold one push handle (C) as you pull the opposite seat rail towards you (D).
6. Place chair on its back and press the seat rails to a complete fold.
6. Wrap the closure strap around chair and click to lock.

D. TRANSIT OPTIONS

Bus Transit Tie Downs are available and should be used with restraint systems that conform to SAE J2249 requirements.

The trotter has passed a dynamic crash test done with a 130 lb. front facing occupant tested at 30 mph (48 km/h)

adjustments:

Positioning and growth adjustments should be done in the following order:

1. Seat
2. Back
3. Positioning belt & harness
4. Footrest
5. Head support
6. Additional standard and optional adjustments as required
7. Ensure that all adjustment screws are tight

SEAT DEPTH ADJUSTMENT

1. Determine the proper seat depth.
2. To change seat depth, undo the Velcro® that attaches the back panel to the seat panel. (Fig. 4)
3. Relieve fabric tension by partially folding the chair.
4. Depress spring button on the side of the seat rail (Fig. 5A) and move seat tube to the desired hole (8, 9 or 10) until spring button relocates. See seat depth matrix.
5. Repeat operation on other side of seat.
6. Reattach the seat panel to the back panel.



figure 4

SEAT AND BACK ANGLE ADJUSTMENT (Fig 5)

To Adjust The Seat Angle:

1. Locate the seat angle adjustment bolt on the seat rail (B).
2. Loosen and remove bolts from both sides of the seat and relocate as required in the top (B) or bottom (C) hole. See Set-up Matrix, hole 6 or 7, for proper location.

3. Secure the nuts tightly.

CAUTION- The modification of the seat angle will affect the back angle. See seat depth matrix.

To Adjust The Back Angle:

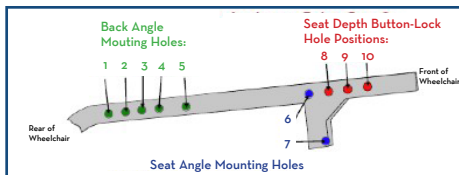
1. To adjust the back angle, relative to the seat, consult the Set-up Matrix.
2. To relocate the back post along the seat rail, loosen and remove bolts (Fig 4A & Fig 5D) from both sides of the seat and align the back posts along the seat rail in the required location.
3. Put bolts back in place and secure the nuts tightly.

CAUTION - The modification of the back angle will affect the seat depth.

SET-UP MATRIX

SEAT DEPTH MATRIX		12" Width	14" Width	16" Width	18" Width
		Seat Depth (Hole: 8, 9, 10)	Seat Depth (Hole: 8, 9, 10)	Seat Depth (Hole: 8, 9, 10)	Seat Depth (Hole: 8, 9, 10)
Seat Angle 15°	Back Angle 85°	14.5, 15.5, 16.5	16.0, 17.0, 18.0	16.5, 17.5, 18.5	17.5, 18.5, 19.5
	Back Angle 90°	13.5, 14.5, 15.5	15.0, 16.0, 17.0	15.5, 16.5, 17.5	16.5, 17.5, 18.5
	Back Angle 95°	12.5, 13.5, 14.5	14.0, 15.0, 16.0	14.5, 15.5, 16.5	15.5, 16.5, 17.5
Seat Angle 22°	Back Angle 85°	12.5, 13.5, 14.5	14.0, 15.0, 16.0	14.5, 15.5, 16.5	15.5, 16.5, 17.5
	Back Angle 90°	11.5, 12.5, 13.5	13.0, 14.0, 15.0	13.5, 14.5, 15.5	15.0, 16.0, 17.0
	Back Angle 95°	10.5, 11.5, 12.5	12.0, 13.0, 14.0	13.0, 14.0, 15.0	14.0, 15.0, 16.0
Chair Width		23.0	25.0	27.0	29.0
Back Height		22.2	21.3	23.6	23.4

SEAT AND SEAT-TO-BACK ANGLE



		HOLE PATTERN		
			Seat-to-Back Angle 90°	Seat-to-Back Angle 95°
Seat Angle 15°	Seat & Back	1	2	3
	Seat (Front)	6	6	6
Seat Angle 22°	Seat & Back	3	4	5
	Seat (Front)	7	7	7



figure 5

FIVE POINT “H” HARNESS & PELVIC BELT ADJUSTMENT

1. Place user in the chair and position child’s hips.
2. Buckle the pelvic positioning belt to the proper position.
3. Connect both straps of the “H” harness to the pelvic positioning belt.
4. Adjust both shoulder straps using the adjuster (Fig 6A) to get a snug fit.
5. To adjust the height of the attachment point of the shoulder straps, undo the knob on the back panel, and take the insert out of the grommet (Fig 7). Place the insert at the required position and tighten in place with the knob.



figure 6



figure 7

FOOTREST ADJUSTMENTS

To Adjust Or Remove Footrest:

1. Pull out the locking pin (Fig. 8A).
2. Move the footplate extension tube up or down to the desired position.
3. Align the holes of the footrest with the holes of the housing bracket.
4. Put the locking pin back in place.



figure 8

Range Adjustment

To modify the range of adjustment of the footrest by reversing the housing bracket:

1. Remove footrest.
2. Remove both screws from the housing bracket (Fig 9A).
3. Relocate the housing facing up or down as desired.
4. Put both screws back in place.

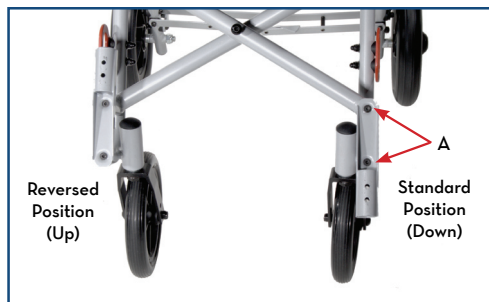


figure 9

To Modify the Range of Adjustment by Inverting the Footrest Extension Tube

1. Remove the footrest.
2. Remove the cap head screw (Fig 10A) from the foot plate support and pull the footplate assembly off the extension tube.
3. Reverse the footrest extension tube orientation (Fig 11).
4. Insert the footplate assembly into to top opening of the housing bracket.
5. Tighten the cap head screw.

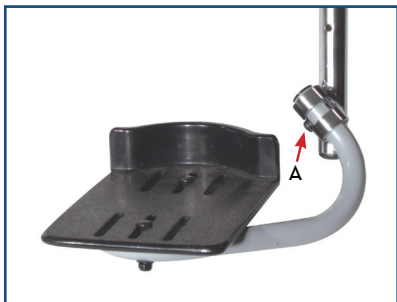


figure 10



figure 11

Depth Adjustment

1. Loosen both fasteners on the footplate (Fig. 12A).
2. Slide the footplate to the desired position.
3. Tighten both fasteners.

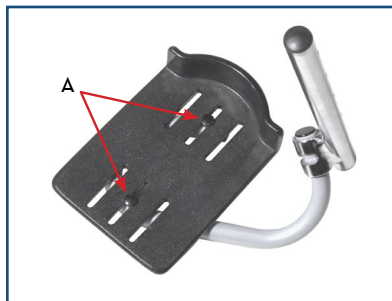


figure 12

CRUTCH STRAP DEPTH ADJUSTMENT

1. Determine the appropriate depth for the user.
2. Remove the belt from the buckle (Fig. 13A).
3. Insert belt into appropriate slot.
4. Thread the strap back into the buckle.



figure 13