

---

## Limited Lifetime Warranty

---

Your Inspired by Drive branded product is warranted to be free of defects in materials and workmanship for the lifetime of the product for the original consumer purchaser.

This device was built to exacting standards and carefully inspected prior to shipment. This Lifetime Limited Warranty is an expression of our confidence in the materials and workmanship of our products and our assurance to the consumer of years of dependable service.

This warranty does not cover device failure due to owner misuse or negligence, or normal wear and tear. The warranty does not extend to non-durable components, such as rubber accessories, casters, and grips, which are subject to normal wear and need periodic replacement.

If you have a question about your Inspired by Drive device or this warranty, please contact an authorized Inspired by Drive dealer.



© 2016 Medical Depot, Inc. All rights reserved.

Drive is a trademark of Medical Depot, Inc.

Port Washington N.Y. 11050 USA



## Moxie GT Gait Trainer

Item #s:

**GT1000-2GB, GT1000-2GG**

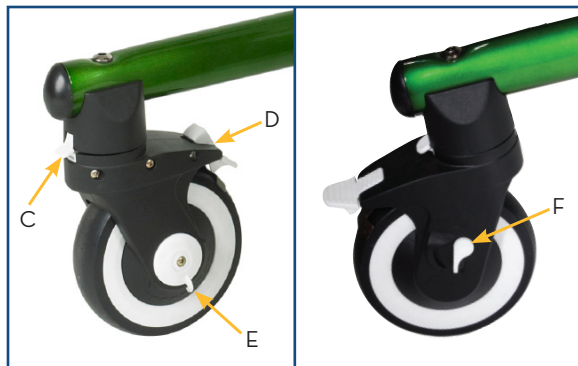
**GT2000-2GB, GT2000-2GG**

**GT3000-2GGY**



EU Authorized Representative  
Drive Medical LTD  
Ainley's Industrial Estate  
Elland, West Yorkshire,  
United Kingdom HX5 9JP

[www.inspiredbydrive.com](http://www.inspiredbydrive.com)




---

## assembly

---

The GT1000-2GB and GT1000-2GG comes completely assembled and does not fold

GT2000-2GB, GT2000-2GG & GT3000-2GGY.

1. Remove the Moxie GT from the box.
2. Open gait trainer by lifting top frame until both latches click into notches (A) in the bottom frame.

---

## adjustments

---

### Height

Pull triggers (B) upwards and slide handlebar to desired height. Release trigger and move handlebar until triggers click into place.

### Swivel Lock

Casters can be locked to prevent swivel. Align lever (C) with one of the two notches in the caster and push lever into notch.

### Wheel Lock

Pressing on bottom part of pedal (D) will lock rotation of wheels. Pressing on top part of pedal will release wheel brake.

### Wheel Resistance

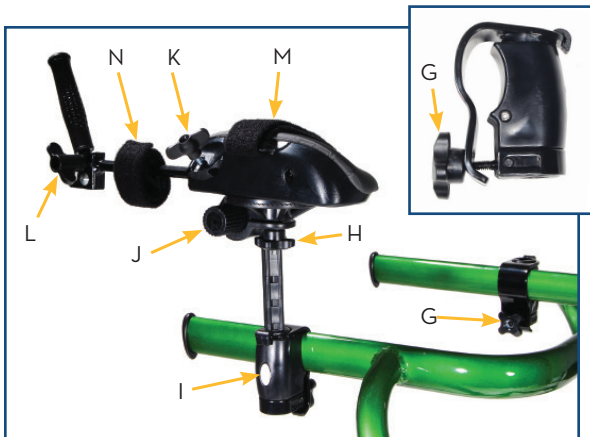
Lever (E) provides resistance to wheels. Rotating the lever towards the thinner markings lowers the resistance and towards the thicker markings adds resistance.

### Directional Lever

One-direction use can be achieved by pushing lever (F) upwards. When one-direction is engaged, there will be a clicking sound when moving forward and the wheel will lock when rolled backward.

## accessories

Most accessories are mounted with the universal mounting bracket. To install the mounting bracket, loosen knob (G) on clamp and lower it. Lift clamp and place over handlebar. Bring knob up and tighten. The mounting bracket can be placed anywhere on the handlebar and it will depend on the user's abilities. It can also be mounted towards the outside or the inside of the handlebar.



### Forearm Platforms

#### Item #s TK 1035 S & TK 1035 L

Install mounting bracket and post at appropriate location. Place forearm platform on mounting bracket post by loosening knob (H) and placing forearm platform at desired position.

#### Forearm platform adjustments

**Height** - Push in button (I) and slide post to desired position. Release button and move forearm platform until it clicks into place.

**Width** - Forearm platforms can be placed closer or farther from the user by

- Loosening knob (H) and sliding the forearm platform outward or inward.
- Place mounting bracket with the clamp facing towards the outside or inside of the handlebar.
- Position forearm platform posts (J) facing towards the outside or inside of the handlebar.

**Rotation** - Loosen knob (H) to rotate up or down and in or out. It can rotate 360°.

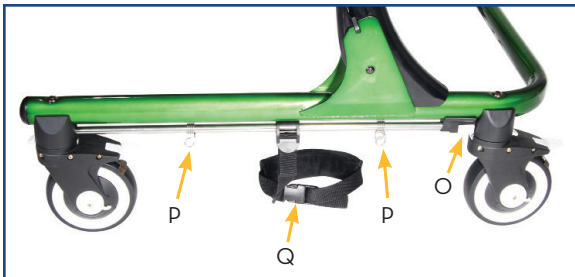
**Depth** - Loosen knob (H) and slide arm pad forward or backward or reposition mounting bracket.

- Loosening knob (K) allows the handgrips to extend forward and backward, supinate and pronate.
- Loosening knob (L) allows wrist angle adjustability.
- Arm strap (M) and wrist strap (N) secures arm.

### Handgrips

#### Item # TK 1045

Install mounting brackets at appropriate location on the handlebar. They can be mounted with the clamp facing towards the outside or inside of the handlebar. To adjust the height, push in button (I) and slide post to desired position. Release button and move handgrip until it clicks into place. Handgrips can rotate in four directions.



## Ankle Prompts

### Item #s TK 1060 S, TK 1060 M & TK 1060 L

Install the ankle prompts by inserting the end of rod into caster slot, then pull back white trigger (O) and insert into opposite caster slot. To adjust the stride of the user, press and slide the spring clips (P) to appropriate length. To adjust the size of ankle straps use buckle adjuster (Q).



## Hip Positioner & Pad

### Item #s TK 1070 S & TK 1070

Install mounting bracket and handgrips at the back of the handlebar. Attach the front of the hip positioner towards the front of the handlebar using buckles (R). Attach the rear of the hip positioner towards the rear of the handlebar by either attaching rings (S) to handgrips or remove clamp and handgrips and loop straps over rear of handlebar. Adjust loop with buckles.

### Hip positioner adjustments

**Height** - rear of the hip positioner - Push in button (T) and slide handgrip to desired position. Release button and move handgrip until it clicks into place.

**Height** - hip positioner - Raise or lower hip positioner by adjusting the length of the two front and two rear straps.

**Depth** - Reposition mounting bracket on handlebar.

The hip positioner can be used with or without the pad.

To attach the hip pad, push the rear straps (U) of the hip positioner through the holes at the back of the pad and pull into place. Securely snap front and side flaps around the hip positioner.



## Trunk Support

### Item # TK 1080 S, TK 1080 M & TK 1080 L

Install mounting bracket and post directly behind the uprights. Loosen knobs (V) on the post and slide chest prompt rods into the post at desired position. Tighten knobs.

#### Trunk support adjustments

The trunk support has two adjustable straps and buckles on each side. The front of the trunk support also has a restraining loop to keep the pads together. Each strap is independently adjustable to adjust the size, fit and angle of the trunk support.

**Height** - Push in button (I) and slide post to desired position. Release button and move post until it clicks into place.

**Width** - Trunk support can be placed closer or farther from the user by

- Loosening knobs (V) and sliding the trunk support outward or inward.
- Place mounting bracket with the clamp facing towards the outside or inside of the handlebar

**Depth** - Reposition mounting bracket on handlebar.

**Rotation** - Loosen knobs (V) and tilt trunk support to desired position. Tighten knobs.



## Thigh Prompts

### Item #s TK 1090 S & TK 1090 L

Install thigh prompt clamps on handlebar. It is advisable to mount them behind the trunk support.

#### Thigh prompt adjustments

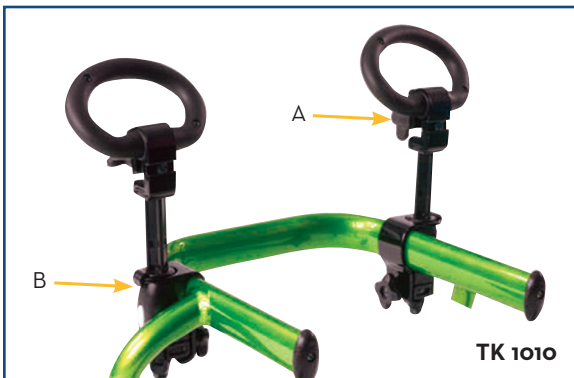
**Height** - Loosen knob (W) and slide thigh pad (X) up or down to desired position. Tighten knob.

**Width** - Thigh pads can be placed closer or farther from the user by

- Loosening knob (Y), adjust thigh pads inward or outward and tighten knob
- Place mounting bracket with the clamp facing towards the outside or inside of the handlebar.

**Depth** - Reposition mounting bracket on handlebar.

**Rotation** - Loosen knob (W), rotate the thigh pad and tighten knob.



## Hand Loop

### Item # TK 1010

Install mounting bracket at appropriate location on handlebar. (See instructions on Page 3) They should be installed towards the front of the uprights. This provides stability and ample room for other accessories.

Insert Hand Loop assembly into mounting bracket with knob (A) facing away from user.



TK 1020

## Guide Bar

### Item # TK 1020

Turn knob (C) counterclockwise to open clamp. Install the Guide Bar on the center of the front top handlebar. Tighten knob to secure Guide Bar.

### Adjustments

Loosen knob (C) and rotate Guide Bar until it is behind the user for pushing or in front for pulling. Tighten knob to secure at desired position.

---

## cleaning

Periodically clean the hip positioner, pelvic support, chest prompt, arm prompt pads with a damp rag and a mild disinfectant. Remove lint from hook and loop as needed.

Wash casters with water after outdoor use. Avoid mud and sand. Do not use petroleum-based or solvent-based lubricants on casters, but lubricate when necessary with silicone spray or graphite.

---

## maintenance

Twice a year inspect straps and padding for damage, and replace if necessary. Periodically inspect for breaks, loose parts, missing parts, cracks and/or malfunctions. Remove the product from service when any condition develops that might make operation unsafe.