

heavy duty suction device  
bomba de succión de uso pesado  
pompe aspiratrice robuste

USER'S MANUAL  
MANUAL DEL USUARIO  
GUIDE DE L'UTILISATEUR

REF. 18600



[www.drivemedical.com](http://www.drivemedical.com)

Rev3.07.27.15

[Click here to view detailed product information and pricing.](#)

**Call 800-397-5899 to order today!**

<sup>TM</sup>  
**drive**

1.	Safety Information.....	3
2.	AC Power Source.....	4
3.	Electrical.....	3-4
4.	Introduction.....	5
5.	Illustration of Important Parts.....	6
6.	Set-Up.....	7
7.	How to Operate Your Heavy Duty Suction Pump ....	7-8
8.	Cleaning Instructions.....	8
9.	Maintenance.....	9-10
10.	Troubleshooting.....	10
11.	Specifications/Classifications.....	11
12.	Warranty.....	12

 CAUTION

Federal law restricts this device to sale by or on order of a physician, or any other practitioner licensed by the law of the State in which he practices to use or order the use of this device.

 NOTE

Check ALL parts for shipping damage. If shipping damage is noted, DO NOT use. Contact medical equipment provider for further instruction.

## 1. SAFETY INFORMATION

When using electrical products, especially when children are present, basic safety precautions should always be followed. Read all instructions before using.

Important information is highlighted by these terms:

### DANGER

Urgent safety information for hazards that will cause serious injury or death.

### WARNING

Important safety information for hazards that might cause serious injury.

### CAUTION

Information for preventing damage to the product.

### NOTE

Information to which you should pay special attention.

read all user's manual before using.

save user's manual

### DANGER

To reduce the risk of electrocution:

1. Do not use while bathing.
2. Do not place or store product where it can fall or be pulled into a tub or sink.
3. Do not place in or drop into water or other liquid.
4. Do not reach for a product that has fallen into water. Unplug immediately.

### WARNING

To reduce the risk of burns, electrocution, fire or injury to persons:

1. Close supervision is necessary when this product is used by, on, or near children or invalids.
2. Use this product only for its intended use as described in this guide.
3. Never operate this product if:
  - a. It has a damaged power cord or plug.
  - b. It is not working properly.
  - c. It has been dropped or damaged.
  - d. It has been dropped into water.
4. Return the product to an authorized Drive medical equipment service center for examination and repair.
5. Keep the power cord away from heated surfaces.
6. Never use while drowsy or asleep.

## SPECIFIC WARNINGS

TO REDUCE THE RISK OF ELECTRICAL SHOCK OR INJURY TO PERSONS, DO NOT DISASSEMBLE THIS UNIT. DISASSEMBLY OR ATTEMPTED REPAIRS IF ACCOMPLISHED INCORRECTLY CAN CREATE ELECTRICAL SHOCK HAZARD. ONLY QUALIFIED TECHNICIANS SHOULD PERFORM SERVICING OF THIS SUCTION UNIT.

## DANGER

The Heavy Duty Suction Pump is a vacuum suction device designed for the collection of nonflammable fluid materials in medical applications only. Improper use during medical applications can cause injury or death.

For all medical applications:

1. All suctioning should be done in strict accordance with appropriate procedures that have been established by a licensed medical authority.
2. Some attachments or accessories may not fit the tubing supplied. All attachments or accessories should be checked prior to use to assure proper fit.

## 2. AC POWER SOURCE

### CAUTION

Item # 18600 is used with a power supply allowing operation on AC voltage (115 VAC, 60 Hz). However the correct power source must be used to connect to adaptable wall power.

## 3. ELECTRICAL

### Compressor

If the overload protector shuts off the motor frequently, you may have a low voltage situation. Low voltage can also be suspected when:

1. The motor does not get up to full power or speed.
2. Other motor operated appliances fail to operate properly. Too many motor operated appliances on same circuit.

### NOTE

The motor of this compressor has a thermal overload protector. If the motor overheats, the overload protector will shut off the motor. If this occurs, turn the ON/OFF switch to the OFF position and allow the motor to cool (approximately 5 minutes). Restart compressor. If the compressor fails to start, wait an additional 5 minutes before attempting to restart. If this fails, inspect the fuses on your suction unit. If the unit still does not restart, call your medical equipment provider immediately.

## WARNING

Proper operation of this product is necessary to avoid physical harm. Improper use can cause personal injury and/or tissue damage. This product should not be used unless the operator has been instructed by a physician or other qualified health care professional.

1. Familiarize yourself with this unit.
2. Place unit on table and push down hard so that suction feet hold unit firmly in place.
3. Before plugging power cord into electrical outlet, check if the ON/OFF switch is in the OFF position.

## NOTE

Before attempting to start a cold unit, let the unit reach room temperature in a heated area.

# introduction

Your Heavy Duty Suction Pump is a professional medical suctioning device that produces a maximum vacuum of 560 mmHg. The unit is equipped with an 800cc collection bottle and has been designed for convenient and reliable usages.

## Features:

- New anti-bacteria filter design helps prevent contamination.
- High quality vacuum regulator and anti-vibration vacuum gauge setting.
- Oil-less, permanent lubrication.
- Collection bottle with overflow protection.
- Superior performance and high reliability for continuous operation design.
- Easy carry and easy cleaning.

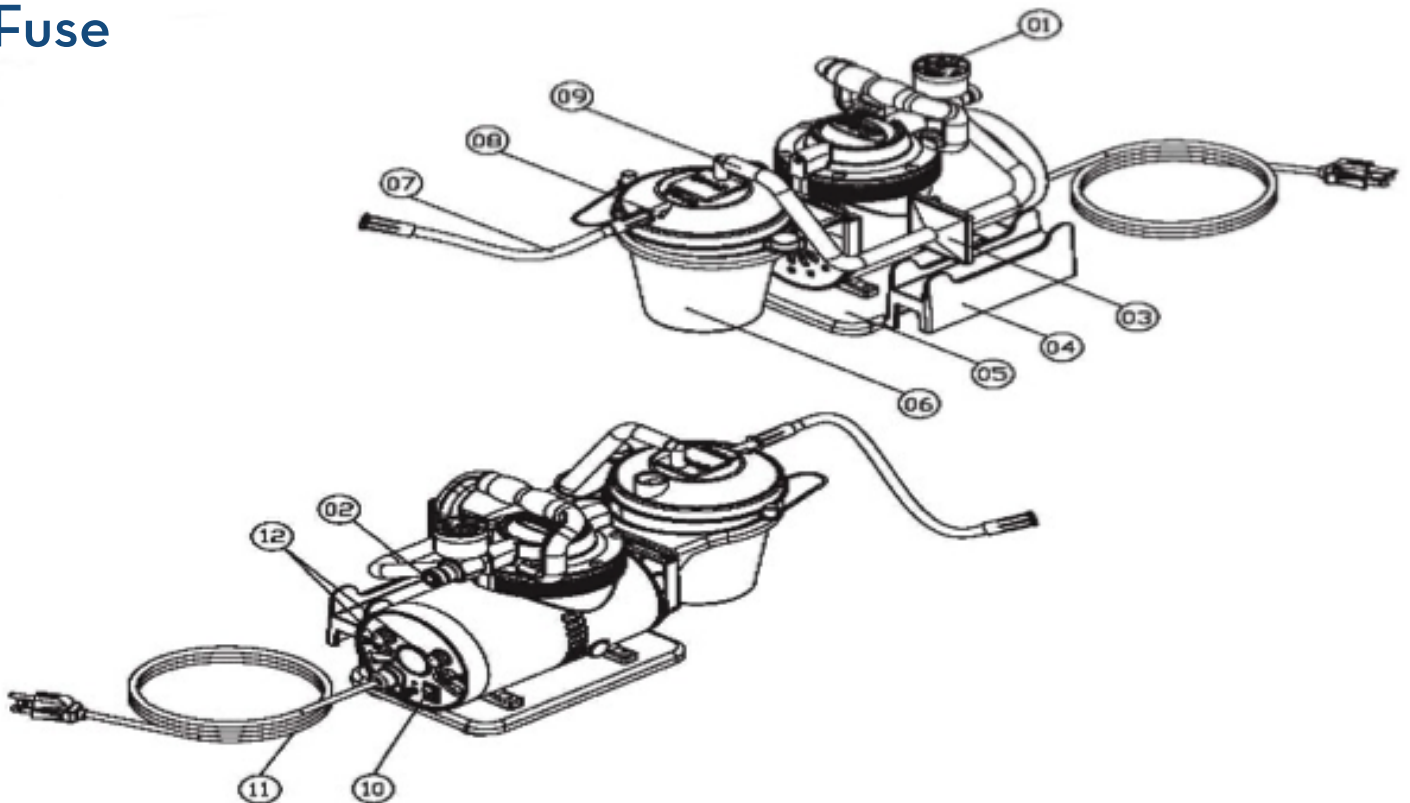
Following the recommended operating and maintenance procedures outlined in this user's manual will maximize the life of this product. Refer to the diagrams on page 6.

## NOTE

This unit complies with electromagnetic compatibility standards as defined in the attached declaration of conformity.

## Item # 18600

1. Vacuum Gauge
2. Vacuum Adjust Knob
3. Bacteria Filter
4. Cord Caddy
5. Base
6. 800cc Collection Bottle
7. Patient Tubing
8. Cover
9. Connection Tubing
10. Power Switch
11. Power Cord
12. Fuse



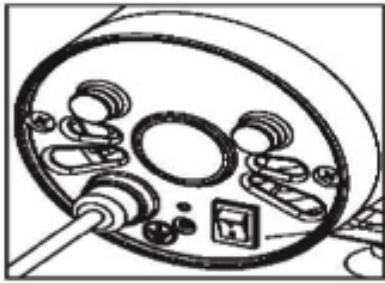
1. Connect either end of the connecting tubing (item# 9) to the top of collection bottle connector then connect the other end to the bacteria filter.
2. The patient tubing should be connected to collection bottle at the outlet labeled (patient). Please assure that all connections are secure and without leaks before using.

## 7. HOW TO OPERATE YOUR HEAVY DUTY SUCTION PUMP

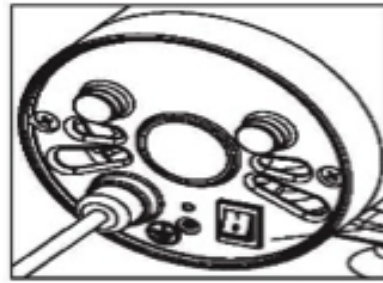
1. Before use, check the specification label on the side of the suction unit to ensure that the voltage and current indicated on the unit correspond with the voltage and current available. Make sure the power switch located on the side of the unit is in the "Off" position before connecting the unit to a power source.
2. Switch the power switch to "I" position (on), the unit start running.

### 1. Off position

### 2. On position



"Off" position



"On" position

3. Adjust the vacuum level from 0 to 560 mmHg (0 to 56 cmHg) by turning the vacuum adjust knob (clockwise to increase vacuum and counter-clockwise to decrease vacuum). Referring to the vacuum gauge while setting the desired level of vacuum. To accurately read the gauge, block the patient end of the hose or cap off the collection bottle and allow the gauge to reach a stable vacuum reading.

Vacuum Gauge



Vacuum Adjust Knob





4. Place the patient tubing to the appropriate position of patient and start to suck sputum.
5. When the sputum reaches the safe full level of collection bottle (800cc), the suctioning will stop sucking automatically (float shut-off).
6. Switch the power switch to “O” position (off), shut off the suction motor.
7. Remove the sputum from collection bottle after the motor stops turning completely. (Please refer to the section “CLEAN INSTRUCTIONS” on page 9 for the directions of how to clean the collection bottle).
8. Turn on the unit and start to run the suction unit again.

## NOTE

1. If the unit sustains a severe drop, validity of the gauge must be checked. Inspect if the float shut-off is still functioning properly when the liquid in the collection bottle reaches the safe full level.
2. Always transport unit with vacuum adjust knob rotated fully clockwise in case unit is dropped.

## CAUTION

1. When automatic float shut-off is activated, contents of the collection bottles should be emptied. Further suctioning could cause damage to the vacuum pump.
2. Should fluid be aspirated back into the unit, send your suction to an authorized service center for a detailed inspection as the vacuum pump may have been damaged.

# cleaning

## Clean Collection Bottle:

1. Turn off the suction unit and allow vacuum to drop, then disconnect AC power source.
2. With the collection bottle still in the holder, remove the collection bottle lid. The bottle can now be taken out of the holder to be emptied.

## NOTE

Collection bottle should be emptied after each use.

3. Collection bottle should be thoroughly cleaned after each use by one of the following three methods:
  - a. Wash in a hot water/dishwashing detergent solution and rinse with clean, hot tap water. Then wash in one part vinegar to three parts hot water solution. Rinse with hot tap water and air dry.
  - b. Wash with rubbing alcohol and air dry
  - c. Wash with a commercial (bacterial-germicidal) disinfectant, follow disinfectant manufacturer's recommended instructions and dilution rates carefully.



## Clean Suction Unit and Collection Bottle Lid:

1. Disconnect the suction unit from all external power sources.
2. Wipe the suction unit housing and collection bottle lid with a clean cloth and any commercial (bacterial-germicidal) disinfectant.

### CAUTION

Do not submerge in water as this will result in severe damage to the vacuum pump.

## Clean Tubing:

1. Disconnect the tubing from the unit.
2. Tubing should be rinsed thoroughly after every use by running hot tap water through it followed by a solution of one part vinegar to three parts hot water.
3. Rinse with hot tap water and air dry.
4. Keep the outer surface of the tubing clean by wiping with a clean, damp cloth.

### WARNING

The waste in collection bottle may cause respiratory infection which must be handled according to medical waste disposing regulation. Operator must wear gloves and medical class mask before cleaning the collection bottle, tubing and handle the wasting unit and/or accessories.

## MAINTENANCE

Inspect suction tubing and collection bottle for leaks, cracks, etc. before each use.

### DANGER

Electric shock hazard

Do not attempt to open or remove the suction cabinet. If a service is required, return your suction to an authorized service center. Opening or tampering with the unit will void warranty.

## Bacteria Filter Change:

1. Bacteria filter should be replaced as needed. If overflow occurs, change the filter immediately.
2. Remove filter by disconnecting it from tubing connected to pressure adjusting valve and tubing connected to collection bottle lid assembly.
3. Replace with a new Drive bacteria filter and connect to above two tubing. Additional filters can be purchased from an authorized dealer.

## NOTE

Use only Drive filters. Do not substitute any other material for this bacteria filter. Improper substitution may lead to contamination or poor performance;

Fuse Change:

1. Use only the same type of fuse to replace the broken fuse.
2. Fuse specification: Miniature Glass Fuse 5x20mm, Fast Blow (Quick Acting), F2A/250V.

## WARNING

When this unit or accessories reach the end of their useful lives (depends on using conditions), residues in collection bottle, tubing and filter may cause respiratory infection. Dump the wasting collection bottle, tubing and filter into a specific waste bin labeled with medical waste.

# troubleshooting

Your Heavy Duty Suction Pump contains no user-serviceable parts. If you believe your unit is not working properly, **BEFORE YOU RETURN IT TO THE MEDICAL EQUIPMENT PROVIDER WHERE YOU PURCHASED IT**, please take a few moments to check for these possible causes:

## PROBLEM

## ACTION

Unit does not turn on

1. Check power source and connection
2. Ensure that the wall outlet is live
3. Check power cord is not damage

Motor runs, no vacuum

1. Verify tubing connection security
2. Check for leaks or tubing kinks
3. Ensure that float shut-off is not activated
4. Check for bottle leaks and cracks

Low Vacuum

1. Use vacuum adjust knob to increase vacuum level
2. Check system for leaks
3. Rotate vacuum adjust knob counter clockwise and release

Dimensions	(L) 375 x (W) 175 x (H) 250 mm (14.8 x 6.8 x 9.8 in)
Weight.	5.5 kg (12.1 lb)
Maximum Vacuum	560 +/- 3% mmHg (56 cmHg +/- 3%)
Flow Range	> 40 LPM
Sound Level	< 58 dBA
Electrical Requirements	AC 115 V 60Hz
Power Consumption	70 watts
Bacteria Filter pore size	0.45 microns
Collection Bottle Capacity	800cc (ml)
Operating Temperature	32° ~ 104° F (0° ~ 40°C)
Operating Humidity	95% RH
Operating Atmospheric Pressure	10.2 ~15.4 psi ( 70 ~106 kpa )
Storage Temperature	14° ~ 158° F ( -10° ~ 70°C )
Storage Humidity	0 ~ 95%
Storage Atmospheric Pressure	7.3 ~15.4 psi ( 50 ~106 kpa )
Fuse Specification	Miniature Glass Fuse 5x20mm, Fast Blow (Quick Acting), F2A/250 V
Equipment Classifications	With respect to protection from electric shock Class I

Your Drive branded product is warranted to be free of defects in materials and workmanship for two years from the date of purchase for the original consumer purchaser.

This device was built to exacting standards and carefully inspected prior to shipment. This Two Year Limited Warranty is an expression of our confidence in the materials and workmanship of our products and our assurance to the consumer of years of dependable service.

This warranty does not cover device failure due to owner misuse or negligence, or normal wear and tear. The warranty does not extend to non-durable components, such as rubber accessories, casters, and grips, which are subject to normal wear and need periodic replacement.

If you have a question about your Drive device or this warranty, please contact an authorized Drive dealer.



1. Información de seguridad.....	14
2. Fuente de alimentación de CA.....	15
3. Sistema eléctrico.....	15-16
4. Introducción.....	16
5. Diagrama de partes importantes.....	17
6. Configuración.....	18
7. Cómo operar su bomba de succión de uso pesado.....	18
8. Instrucciones para limpiar su unidad.....	19-20
9. Mantenimiento.....	21
10. Solución de problemas.....	21
11. Especificaciones/ clasificaciones.....	22
12. Garantía.....	23



## PRECAUCIÓN

La ley federal restringe este aparato para que se venda por un médico o por orden de un médico o cualquier otro profesional de la salud autorizado por la ley del estado en donde se ejerce la profesión para utilizar u ordenar el uso de este aparato.



## NOTA

Verifique TODAS las partes para verificar que no existan daños durante el envío. NO LO use si detecta daños por envío. Póngase en contacto con su proveedor de equipo médico para recibir indicaciones adicionales.

## 1. INFORMACIÓN DE SEGURIDAD

Cuando se utilizan productos eléctricos y especialmente cuando los niños están presentes, es importante seguir precauciones básicas de seguridad. Lea todas las instrucciones antes de su uso. La información importante se resalta con estos términos:

### PELIGRO

Información de seguridad urgente sobre riesgos que pueden ocasionar lesiones serias o la muerte.

### ADVERTENCIA

Importante información de seguridad para peligros que pueden ocasionar lesiones serias.

### PRECAUCIÓN

Información para evitar daños al producto.

### NOTA

Información a la cual debe poner atención especial.

lea todo el manual del usuario antes de usar la unidad.  
guarde este manual del usuario

### PELIGRO

Para reducir el riesgo de electrocución:

1. No lo use mientras se está bañando.
2. No coloque o almacene el producto en un lugar en donde pueda caerse o jalarse y caer dentro de una tina o lavabo.
3. No lo coloque o tire dentro de agua o cualquier otro líquido.
4. No trate de sacar un producto que ha caído dentro del agua. Desconéctelo inmediatamente.

### ADVERTENCIA

Para reducir el riesgo de quemaduras, electrocución, incendio o lesiones a personas:

1. El producto debe ser supervisado de cerca cuando sea utilizado por, con o cerca de niños o personas discapacitadas.
2. Utilice este producto sólo para el uso que se describe en esta guía.
3. Nunca opere este producto si:
  - a. Tiene un cable o clavija eléctrica dañada.
  - b. No está trabajando adecuadamente.
  - c. Se ha caído o dañado.
  - d. Se ha caído dentro del agua.
4. Regrese el producto a un centro autorizado de servicio de equipo médico Drive para examinarlo y repararlo.
5. Mantenga el cable eléctrico alejado de superficies calientes.
6. Nunca utilice el aparato si está mareado(a) o adormilado(a).

## ADVERTENCIAS ESPECÍFICAS

NO DESARME LA UNIDAD PARA REDUCIR EL RIESGO DE DESCARGA ELÉCTRICA O LESIONES A PERSONAS. SI SE DESARMA O REALIZAN REPARACIONES INCORRECTAMENTE SE PUEDE CREAR UNA DESCARGA ELÉCTRICA. SOLO TÉCNICOS CALIFICADOS DEBERÁN REALIZAR REPARACIONES A LA UNIDAD DE SUCCIÓN.

## PELIGRO

La bomba de succión de uso pesado es un dispositivo de succión a vacío diseñado para recolectar fluidos no inflamables y solamente es para aplicaciones médicas. El uso inadecuado durante las aplicaciones médicas puede resultar en lesiones o la muerte.

Para todas las aplicaciones médicas:

1. Toda succión debe hacerse siguiendo estrictamente los procedimientos adecuados que han sido establecidos por un profesional médico con licencia.
2. Puede que algunos aditamentos o accesorios no se ajusten a la tubería proporcionada. Se deben de verificar todos los aditamentos o accesorios antes de su uso para asegurar que se ajusten adecuadamente.

## 2. FUENTE DE ALIMENTACIÓN DE CA

### PRECAUCIÓN

Artículo # 18600 se usa con una fuente de alimentación que permite una operación de voltaje de CA (115 VCA, 60 Hz). Sin embargo, se debe de utilizar la fuente de alimentación correcta para conectarlo a una fuente de energía de la pared.

## 3. SISTEMA ELÉCTRICO

### Compresor

Si el protector de sobrecarga apaga el motor frecuentemente puede que tenga una situación de bajo voltaje. También se puede sospechar que existe bajo voltaje cuando:

1. El motor no alcanza toda la potencia o velocidad.
2. Otros dispositivos operados por motor no funcionan adecuadamente. Muchos dispositivos con motor operando en el mismo circuito.

### NOTA

El motor de este compresor tiene un protector térmico de sobrecarga. Si el motor se llega a sobrecalentar, el protector de sobrecarga apagará el motor. Si esto sucede, coloque el interruptor ON/OFF en la posición OFF y permita que el motor se enfríe (aproximadamente 5 minutos). Vuelva a arrancar el compresor. Si el compresor no arranca, espere otros 5 minutos antes de tratar de arrancarlo de nuevo. Si esto no funciona, inspeccione los fusibles de su unidad de succión. Si aún así la unidad no arranca, llame inmediatamente a su proveedor de equipo médico.



## ADVERTENCIA

El equipo necesita operarse adecuadamente para evitar el daño físico. El uso inadecuado puede ocasionar lesiones personales y/o daño al tejido. Este producto no debe utilizarse a menos que el operador haya sido instruido por parte de un médico u otro personal de cuidado de salud calificado.

1. Usted debe de familiarizarse con esta unidad.
2. Coloque la unidad sobre una mesa y presione fuerte hacia abajo para que las patas de succión de la unidad se sujeten firmemente en su lugar.
3. Antes de conectar el cable dentro de una toma eléctrica, verifique que el interruptor ON/OFF esté en la posición OFF.

## NOTA

Si la unidad está en un área con calefacción, deje que la unidad alcance la temperatura ambiental antes de encenderla.

# introducción

Su bomba de succión de uso pesado es un dispositivo profesional médico de succión que produce un vacío máximo de 560 mmHg. La unidad está equipada con una botella de recolección de 800cc y está diseñada para varios y cómodos usos.

## Características:

- Nuevo filtro anti bacteriano diseñado para ayudar a evitar la contaminación.
- Regulador de vacío de alta calidad y configuración de manómetro de vacío contra vibraciones.
- Lubricación permanente, no necesita aceite.
- Botella de recolección con protección de rebosamiento.
- Diseño de desempeño superior y alta confiabilidad para una operación continua.
- Fácil de transportar y fácil de limpiar.

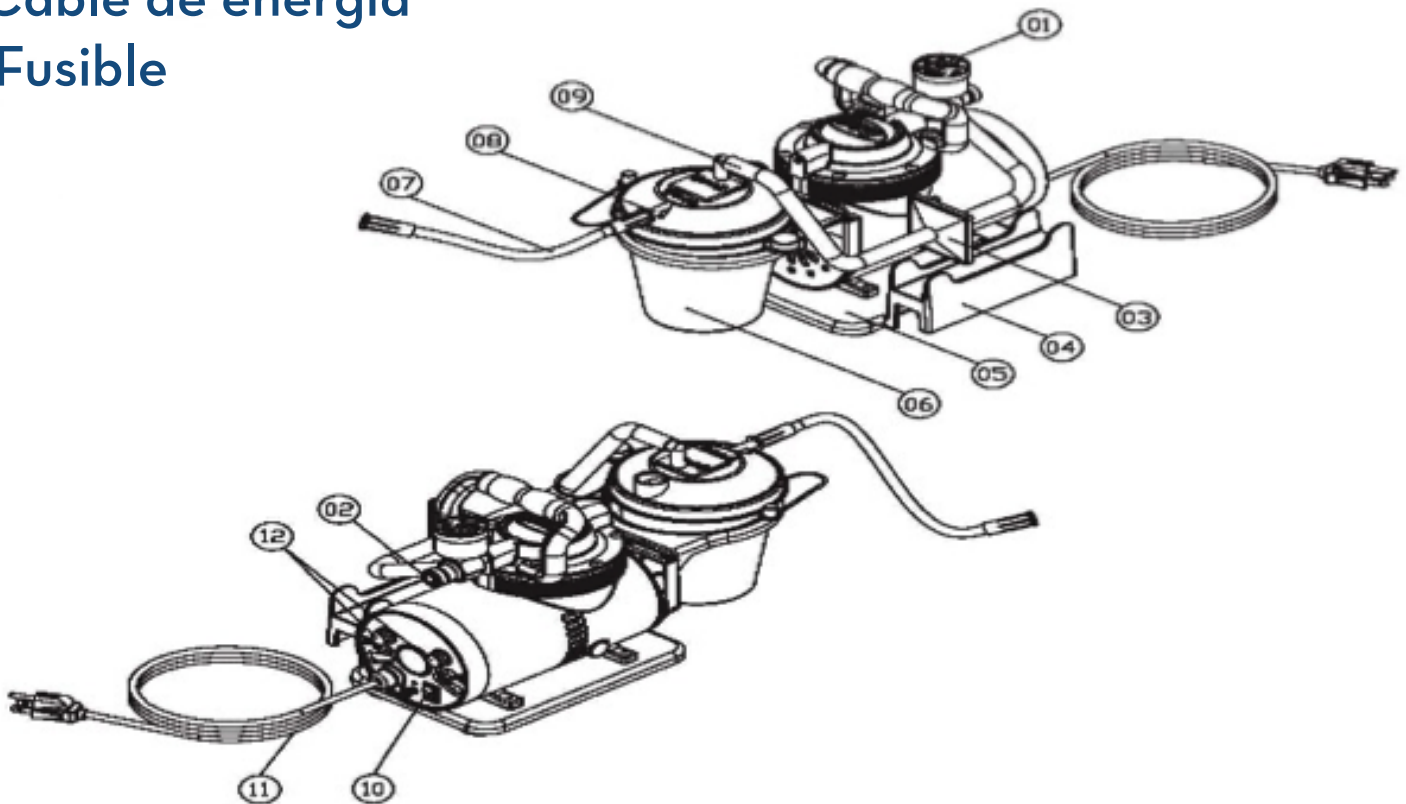
El seguir los procedimientos recomendados de operación y mantenimiento descritos en este manual del usuario maximizará la vida de su producto. Vea los diagramas en la página 6.

## NOTA

Esta unidad cumple con los estándares de compatibilidad electromagnéticos como se define en la declaración de conformidad anexada.

## Artículo # 18600

1. Manómetro de vacío
2. Perilla de ajuste de vacío
3. Filtro bacteriano
4. Bandeja para el cable
5. Base
6. Botella de recolección de 800cc
7. Tubería para el paciente
8. Cubierta
9. Tubería de conexión
10. Interruptor
11. Cable de energía
12. Fusible



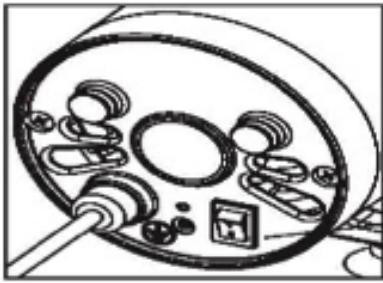
1. Conecte cualquier extremo de la tubería de conexión (artículo # 9) al conector de la parte superior de la botella de recolección, luego conecte el otro extremo al filtro bacteriano.
2. La tubería del paciente debe ser conectada a la botella de recolección en la tubería de salida que tiene la etiqueta "paciente". Asegúrese por favor que todas las conexiones estén seguras y que no existan fugas antes de utilizarse.

## 7. CÓMO OPERAR SU BOMBA DE SUCCIÓN DE USO PESADO

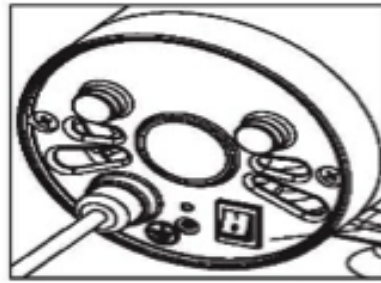
1. Antes de usarse, verifique que la información de voltaje y corriente incluida en la etiqueta de especificación ubicada en el lado de la unidad de succión coincida con el voltaje y corriente disponible. Asegúrese que el interruptor de energía ubicado en la parte lateral de la unidad esté en la posición "Off" antes de conectar la unidad a una fuente de alimentación.
2. Cambien el interruptor a la posición "I" (encendido), la unidad empieza a funcionar.

### 1. Posición de apagado

### 2. Posición de encendido



Posición de apagado



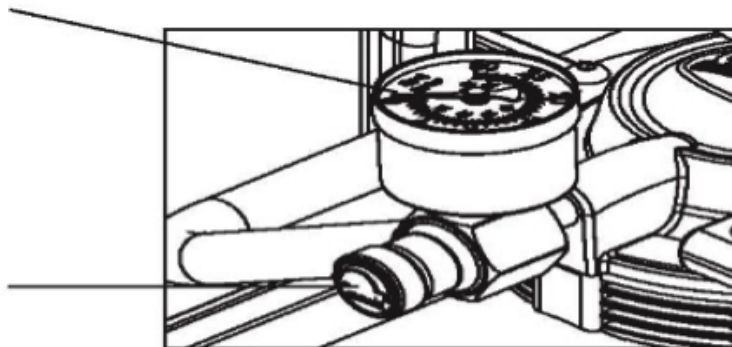
Posición de encendido

3. Ajuste el nivel de vacío entre 0 a 560 mmHg (0 to 56 cmHg) girando la perilla de ajuste de vacío (en sentido de las manecillas del reloj para aumentar el vacío y en contra de las manecillas para disminuir el vacío). Observe el manómetro de vacío mientras configura la unidad al nivel de vacío deseado. Para leer con exactitud el manómetro, bloquee el extremo de la manguera del paciente o tape la botella de recolección y permita que el manómetro logre una lectura de vacío estable.

Manómetro de vacío



Perilla de ajuste de vacío



4. Coloque la tubería del paciente en la posición adecuada del paciente y empiece a succionar esputo.
5. Cuando el esputo alcanza el nivel seguro de llenado en la botella de recolección (800cc) la succión se apagará automáticamente (el flotador la apaga).
6. Coloque el interruptor en la posición "O" (apagado), se apaga el motor de succión.
7. Elimine el esputo de la botella de recolección después de que el motor se haya parado completamente. (Vea por favor la sección "INSTRUCCIONES PARA LIMPIAR SU UNIDAD" de la página 9 sobre como limpiar su botella de recolección).
8. Encienda la unidad y empiece la succión de nuevo.

## NOTA

1. Si la unidad se somete a una caída severa, entonces la validez del manómetro tendrá que ser verificada. Inspeccione si el flotador de cierre sigue funcionando adecuadamente cuando el líquido dentro de la botella de recolección llega al nivel de seguridad de llenado.
2. Al transportar la unidad, gire en todo momento la perilla de ajuste de vacío en sentido de las manecillas del reloj por si la unidad se cae.

## PRECAUCIÓN

1. Cuando se activa el flotador de cierre entonces se tienen que vaciar el material de la botella de recolección. El dejar que la succión siga ejerciendo puede dañar la bomba de vacío.
2. Si por cualquier razón el fluido se aspira dentro de la unidad, mande su bomba de succión a un centro de servicio autorizado para una inspección detallada, ya que es probable que la bomba de vacío se haya dañado.

## limpieza

### Limpieza de la botella de recolección:

1. Apague la unidad de succión y permita que el vacío disminuya, luego desconecte la fuente de alimentación de CA.
2. Con la botella de recolección todavía en el sujetador, retire la tapa de la botella de recolección. Ahora, puede sacar la botella del sujetador para vaciarla.

## NOTA

La botella de recolección debe de vaciarse después de cada uso.

3. La botella de recolección debe de limpiarse a profundidad después de cada uso siguiendo uno de los siguientes tres métodos:

- a. Lávela en una solución de agua caliente/ detergente para lavar trastes y enjuáguela con agua potable caliente. Luego, lávela en una solución de una parte de vinagre con tres partes de agua caliente. Enjuáguela con agua potable caliente y déjela secar al aire.
- b. Lavar con alcohol para frotar y secar al aire.
- c. Lavar con un desinfectante comercial (bacteriano-germicida), siga cuidadosamente las instrucciones recomendadas por el fabricante y las proporciones de dilución.

Limpie la unidad de succión y la tapa de la botella de recolección:

1. Desconecte la unidad de succión de todas las fuentes de alimentación externas.
2. Limpie la cubierta de la unidad de succión y la tapa de la botella de recolección con un trapo limpio y cualquier desinfectante comercial (bacteriano-germicida)

## PRECAUCIÓN

No sumerja la unidad en agua ya que esto resultará en un daño severo a la bomba de vacío.

Limpiando la tubería:

1. Desconecte la tubería de la unidad.
2. La tubería debe de enjuagarse minuciosamente después de cada uso dejando que agua potable caliente fluya a través de ésta y después con una solución de una parte de vinagre con tres partes de agua caliente.
3. Enjuáguela con agua potable caliente y déjela secar al aire.
4. Limpie la superficie externa de la tubería con un trapo húmedo.

## ADVERTENCIA

Los residuos dentro de la botella de recolección pueden ocasionar infecciones respiratorias por lo tanto deben manejarse de acuerdo a las normas de manejo de desechos médicos. El operador debe utilizar guantes y una mascarilla de uso médico antes de limpiar la botella de recolección, tubería y manipular la unidad y/o los accesorios.

## MANTENIMIENTO

Antes de cada uso inspeccione la tubería de succión y la botella de recolección para verificar que no tenga fugas, grietas, etc.

## PELIGRO

Peligro de descarga eléctrica

No intente abrir o retirar el gabinete de succión. Si necesita dar mantenimiento a su unidad, llévela a un centro de servicio autorizado. El abrir o alterar la unidad anulará la garantía.

Cambio del filtro bacteriano:

1. El filtro bacteriano deberá reemplazarse como sea necesario. Si se presenta un sobre flujo reemplace el filtro inmediatamente.
2. Para quitar el filtro, desconéctelo de la tubería conectada a la válvula de ajuste de presión y a la tubería conectada al montaje de la tapa de la botella de recolección.
3. Coloque un filtro bacteriano nuevo Drive y conéctelo a las dos tuberías anteriores. Puede comprar filtros adicionales con un distribuidor autorizado.

## ⚠ NOTA

Solamente use filtros Drive. No sustituya ningún otro tipo de material para el filtro bacteriano. Las sustituciones inadecuadas pueden conducir a la contaminación o un pobre rendimiento;

Cambio de fusibles:

1. Utilice sólo el mismo tipo de fusible para reemplazar un fusible roto.
2. Especificaciones del fusible: Fusible miniatura de vidrio 5x20mm, Fusible de acción rápida, F2A/250V.

## ⚠ ADVERTENCIA

Cuando esta unidad o accesorios alcanzan el final de su vida útil (que depende de las condiciones de uso), los residuos en la botella de recolección, tubería y filtro pueden ocasionar infecciones respiratorias. Coloque la botella de recolección, tubería y filtro a desechar dentro de un contenedor de desecho etiquetado como desecho médico.

# solución de problemas

Su bomba de succión de uso pesado no trae refacciones. Si usted piensa que su unidad no está trabajando adecuadamente, **ANTES DE REGRESARLA AL PROVEEDOR DE EQUIPO MÉDICO EN DONDE LO COMPRÓ**, tome unos cuantos minutos para verificar las posibles causas:

## PROBLEMA

## ACCIÓN

La unidad no enciende

1. Verifique la fuente de alimentación y la conexión
2. Asegúrese que la toma de la pared tiene corriente
3. Verifique que el cable de alimentación no esté dañado

El motor arranca pero no produce vacío

1. Verifique la conexión de la tubería
2. Verifique que no existan fugas o que la tubería no esté retorcida
3. Asegúrese que el flotador de cierre no esté activado
4. Verifique que la botella no tenga fugas ni grietas

Bajo vacío

1. Utilice la perilla de ajuste de vacío para aumentarlo Nivel de vacío
2. Verifique que no existan fugas en el sistema
3. Girar en sentido antihorario la perilla de ajuste de vacío y liberación

Dimensiones	(L) 375 x (Ancho) 175 x (Altura) 250 mm (14.8 x 6.8 x 24.89 pulgadas)
Peso.	5.5 kg (12.1 lb)
Máximo vacío	560 +/- 3% mmHg (56 cmHg +/-3%)
Rango de flujo	> 40 LPM
Nivel de ruido	< 58 dBA
Requisitos eléctricos	CA 115 V 60Hz
Consumo de energía	70 watts
Tamaño de poro del filtro bacteriano	0.45 micrones
Capacidad de botella de recolección	800cc (ml)
Temperatura de operación	32° ~ 104° F (0° ~ 40°C)
Humedad de operación	95% RH
Presión atmosférica de operación	10.2 ~15.4 psi ( 70 ~106 kpa )
Temperatura de almacenamiento	14° ~ 158° F (-10° ~ 70 )
Humedad de almacenamiento	0 ~ 95%
Presión atmosférica de almacenamiento	7.3 ~15.4 psi ( 50 ~106 kpa )
Especificaciones del fusible	Fusible miniatura de vidrio 5x20mm, Fusible de acción rápida, F2A/250 V
Clasificaciones de equipo	Con respecto a protección de descarga eléctrica Clase I



Su producto marca Drive está garantizado de por dos años por el comprador-consumidor original de no tener defectos en los materiales y la fabricación.

Este aparato fue construido de acuerdo a estándares rigurosos y cuidadosamente inspeccionado previo a su envío. Esta dos años de garantía es una expresión de nuestra confianza en los materiales y la fabricación de nuestros productos y nuestra seguridad para el consumidor dada por años de servicios confiables.

Esta garantía no cubre fallas del aparato debidas a mal uso o negligencia por parte del propietario o por el uso y desgaste normales. Esta garantía no se extiende a los componentes no durables, tales como los accesorios de goma, rueditas y mangos que están sujetos a desgaste normal y necesitan reemplazo periódico.

Si usted tiene preguntas acerca de su aparato Drive o esta garantía, por favor contacte a un representante autorizado de Drive.



1. Renseignement concernant la sécurité.....	25
2. Alimentation électrique.....	26
3. Électricité.....	26-27
4. Introduction.....	27
5. Diagramme des principales pièces.....	28
6. Installation.....	29
7. Utilisation votre pompe aspiratrice robuste.....	29
8. Instructions de nettoyage.....	30-31
9. Entretien.....	32
10. Dépannage.....	32
11. Spécifications / classification.....	33
12. Garantie.....	34

## MISE EN GARDE

Les lois fédérales exigent que cet appareil soit vendu par un médecin ou un autre professionnel de la santé (ou à sa demande) possédant un permis de pratique dans l'état ou la province permettant d'utiliser ou de prescrire l'utilisation d'un tel appareil.

## NOTE

Examinez TOUTES les pièces pour déceler la présence de dommages dus au transport. Le cas échéant, n'utilisez PAS l'appareil. Communiquez avec votre fournisseur d'équipement médical pour connaître la marche à suivre.

## 1. RENSEIGNEMENTS CONCERNANT LA SÉCURITÉ

Prenez toujours des précautions élémentaires lorsque vous utilisez des appareils électriques, surtout en présence d'enfants. Lisez toutes les instructions avant d'utiliser cet appareil.

Ces symboles identifient des renseignements particulièrement importants :

### DANGER

Renseignement concernant des aspects relatifs à la sécurité qui visent à éviter des blessures ou un décès.

### AVERTISSEMENT

Renseignement concernant des aspects relatifs à la sécurité qui visent à éviter des blessures graves.

### MISE EN GARDE

Renseignement concernant des aspects relatifs à la sécurité qui visent à éviter des dommages à l'appareil.

### NOTA

Renseignements auxquels vous devriez porter attention.

[lisez ce guide de l'utilisateur avant d'utiliser l'appareil](#)  
[conservez ce guide](#)

### DANGER

Pour diminuer le risque d'électrocution :

1. N'utilisez pas cet appareil pendant le bain.
2. Ne placez pas cet appareil à un endroit d'où il pourrait être tiré et tomber dans un bain ou un lavabo.
3. Ne placez pas cet appareil et ne l'échappez pas dans l'eau ou dans un autre liquide.
4. Ne tentez pas de récupérer l'appareil s'il est tombé dans l'eau. Débranchez-le immédiatement.

### AVERTISSEMENT

Pour diminuer le risque de brûlure, d'électrocution, d'incendie ou de blessure :

1. Une supervision très stricte est nécessaire lorsque cet appareil est utilisé en présence d'enfants ou de personnes affectées d'un handicap physique.
2. N'utilisez cet appareil que pour l'usage prévu, comme décrit dans ce guide.
3. N'utilisez jamais cet appareil si :
  - a. sa fiche ou son cordon d'alimentation électrique est endommagé ;
  - b. s'il ne fonctionne pas correctement ;
  - c. s'il est tombé ou est endommagé ;
  - d. s'il est tombé dans l'eau.
4. Rapportez l'appareil à un centre de service Drive autorisé pour qu'il soit examiné et réparé.
5. Éloignez le cordon d'alimentation des sources de chaleur.
6. Cet appareil ne doit jamais être utilisé par une personne endormie ou somnolente.

## AVERTISSEMENTS SPÉCIFIQUES

POUR DIMINUER LES RISQUES D'ÉLECTROCUTION OU DE BLESSURES, NE TENTEZ PAS DE DÉMONTER CET APPAREIL. SI VOUS TENTEZ DE DÉMONTER OU DE RÉPARER L'APPAREIL, VOUS AUGMENTEZ SENSIBLEMENT LES RISQUES D'ÉLECTROCUTION. SEULS DES TECHNICIENS QUALIFIÉS PEUVENT EFFECTUER L'ENTRETIEN DE CET POMPE ASPIRATRICE

## DANGER

Cette pompe aspiratrice robuste est un appareil d'aspiration à vide conçu pour le prélèvement de fluides ininflammables dans des applications médicales seulement. Un usage inadéquat, lors d'une intervention médicale, peut causer des blessures ou un décès.

Pour toutes les applications médicales :

1. Tous les prélèvements doivent être effectués en parfaite conformité aux procédures instituées par du personnel médical.
2. Certains équipements ou accessoires peuvent ne pas s'ajuster adéquatement au tube fourni. Tous les équipements et accessoires doivent faire l'objet d'une vérification, à l'égard de l'ajustement, avant d'être utilisés.

## 2. ALIMENTATION ÉLECTRIQUE CA

### MISE EN GARDE

L'article No. 18600 est équipé d'un bloc d'alimentation qui fournit une alimentation de 115 V CA, 60 Hz. Cependant, il doit être branché à une source électrique adéquate.

## 3 ÉLECTRICITÉ

### Compresseur

Si le protecteur contre les surcharges se déclenche souvent, il est possible que la tension électrique soit trop faible.

Une tension électrique trop faible peut aussi causer les symptômes suivants :

1. Le moteur ne fournit pas la pleine puissance ou vitesse.
2. D'autres appareils motorisés présentent des symptômes semblables. Un trop grand nombre d'appareils motorisés sont branchés au même circuit.

### NOTA

Le moteur de ce compresseur comporte un mécanisme de protection contre les surcharges thermiques. Le mécanisme de protection arrête le moteur lorsque celui-ci surchauffe. Le cas échéant, mettez l'appareil hors tension et laissez-le refroidir (environ 5 minutes). Redémarrez le compresseur. S'il ne redémarre pas, attendez 5 minutes supplémentaires avant la prochaine tentative. Si cela ne fonctionne toujours pas, vérifiez l'état du fusible de l'appareil. Si le fusible n'est pas en cause, communiquez immédiatement avec votre fournisseur d'équipement.

## AVERTISSEMENT

Vous devez utiliser cet appareil comme prescrit pour éliminer les risques de blessures. Un usage inadéquat peut causer des blessures ou des lésions. Cet appareil ne doit être utilisé que par des personnes qui ont reçu une formation d'un médecin ou d'un personnel médical qualifié.

Apprenez d'abord le fonctionnement de l'appareil.

Placez l'appareil sur une table et appliquez une forte pression pour faire en sorte que les pattes de type ventouse assurent une bonne prise.

Avant de brancher le cordon d'alimentation dans une prise de courant, assurez-vous que l'interrupteur est à la position ARRÊT (OFF).

## NOTA

Ne démarrez pas l'appareil s'il est froid. Attendez qu'il atteigne la température de la pièce.

# introduction

Votre pompe aspiratrice robuste est un appareil d'aspiration médical professionnel qui produit une succion d'au plus 560 mmHg. Cet appareil est équipé d'un collecteur de 800cc et il a été conçu pour un fonctionnement fiable et pratique.

## Caractéristiques :

- Nouveau filtre antibactérien qui aide à prévenir les cas de contamination.
- Régulateur d'aspiration de haute qualité et manomètre antivibration.
- Lubrification permanente, sans huile.
- Récipient collecteur avec protection contre les débordements.
- Performance supérieure et grande fiabilité, pour un usage continu.
- Entretien et nettoyage facile.

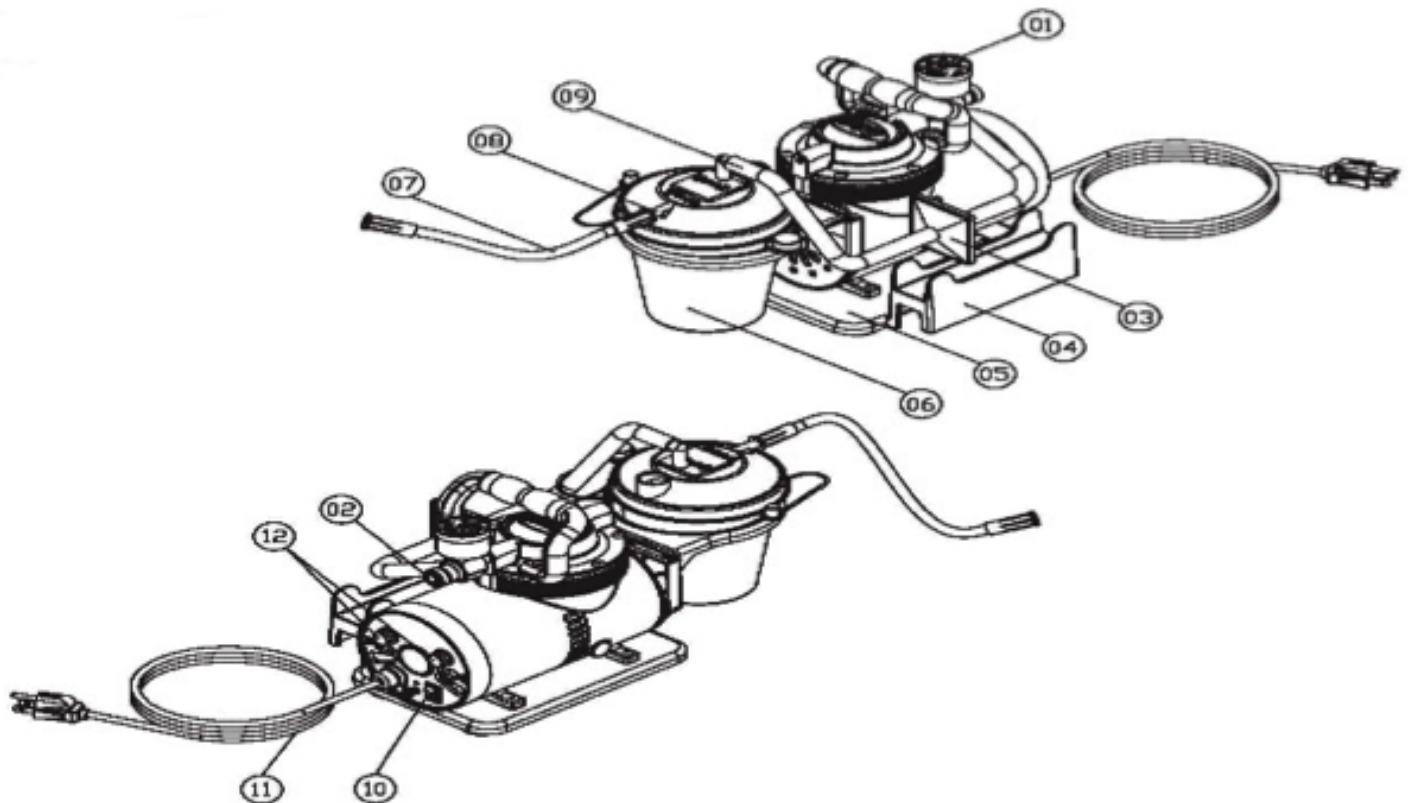
Le respect des procédures d'utilisation et d'entretien décrites dans ce guide prolongera la durée de vie utile de cet appareil. Consultez le diagramme à la page 6.

## NOTA

Cet appareil est conforme aux normes nationales concernant les champs électromagnétiques, tel que décrit dans la déclaration de conformité jointe.

Article No. 18600

1. Manomètre
2. Bouton d'ajustement de l'aspiration
3. Filtre antibactérien
4. Porte-cordon
5. Base
6. Contenant collecteur de 800cc
7. Tube d'aspiration
8. Couvercle
9. Tube de liaison
10. Interrupteur
11. Cordon d'alimentation
12. Fusible



1. Branchez n'importe quel des deux extrémités du tube (No. 9) sur le dessus du contenant collecteur et branchez l'autre extrémité au filtre antibactérien.
2. Le tube de prélèvement doit être branché au contenant collecteur, à la prise étiquetée « Patient ». Assurez-vous que tous les branchements sont solides et qu'il n'y a pas de fuite avant d'utiliser l'appareil.

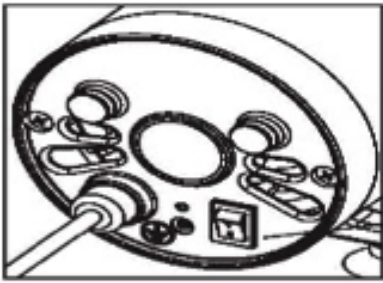
## 7. UTILISATION DE VOTRE POMPE ASPIRATRICE ROBUSTE

1. Avant l'utilisation, vérifiez la plaque signalétique apposée sur le côté de l'appareil pour vous assurer que la tension et le courant mentionnés sur la plaque correspondent au type d'alimentation électrique dont vous disposez. Assurez-vous que l'interrupteur est à la position ARRÊT (O ou OFF) avant de brancher l'appareil.

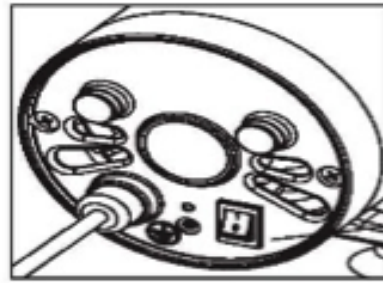
2. Mettez l'interrupteur à la position MARCHÉ (I ou ON) pour le mettre en marche.

1. Positon ARRÊT (O ou OFF)

2. Position MARCHÉ (I ou ON)



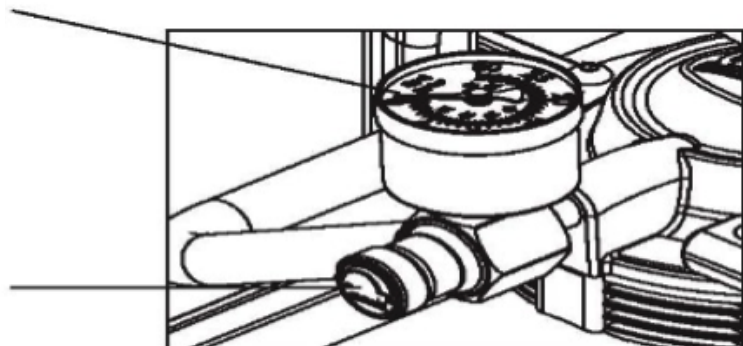
Positon ARRÊT (O ou OFF)



Position MARCHÉ (I ou ON)

3. Ajustez le niveau de l'aspiration entre 0 et 560 mmHg (0 et 56 cmHg) à l'aide du bouton d'ajustement de l'aspiration (sens horaire pour augmenter l'aspiration, antihoraire pour la diminuer). Observez le manomètre pendant que vous procédez à l'ajustement. Pour une lecture précise, bloquez l'extrémité du tube de prélèvement ou bouchez la prise du contenant collecteur et attendez que le manomètre donne une lecture stable.

Manomètre à vide



Bouton d'ajustement de l'aspiration



4. Positionnez le tube adéquatement sur le patient et aspirez les sécrétions.
5. Lorsque les sécrétions atteignent le niveau maximal du contenant collecteur (800cc), l'aspiration cessera automatiquement (interrupteur à flotteur).
6. Mettez l'appareil hors tension (O ou OFF) pour éteindre l'appareil.
7. Retirez les sécrétions du contenant collecteur après que le moteur ait complètement cessé de tourner (consultez la section NETOYAGE à la page 9 au sujet de l'entretien du contenant collecteur).
8. Remettez l'appareil sous tension et reprenez l'opération.

## NOTA

Si vous avez échappé l'appareil ou qu'il a subi un choc important, l'exactitude du manomètre doit être vérifiée. Vérifiez le fonctionnement de l'interrupteur à flotteur lorsque le niveau maximal est atteint dans le contenant collecteur.

Avant de transporter l'appareil, tournez toujours le bouton de réglage de l'aspiration complètement dans le sens horaire, ce qui est préférable en cas de chute.

## MISE EN GARDE

1. Lorsque l'interrupteur à flotteur se déclenche, videz le contenant collecteur. Si vous persistez à utiliser l'appareil au-delà de cette limite, vous pourriez endommager la pompe.
2. Si un liquide est aspiré dans l'appareil, au-delà du contenant collecteur, envoyez l'appareil dans un centre de service autorisé pour qu'il soit examiné avec soin car il est possible que la pompe soit endommagée.

# nettoyage

Nettoyer le contenant collecteur :

1. Mettez la pompe hors tension et attendez que l'aspiration cesse complètement. Débranchez l'alimentation électrique.
2. Laissez le contenant collecteur en place et retirez son couvercle. Le contenant peut maintenant être retiré et vidé.

## NOTA

Le contenant collecteur doit être nettoyé après chaque usage.

3. Le contenant collecteur doit être soigneusement nettoyé après chaque usage, d'une des manières suivantes :
  - a. Lavez à l'aide d'une solution détergente pour eau chaude / lave-vaisselle et rincez à l'eau chaude et propre du robinet. Lavez ensuite à l'aide d'une solution faite d'une partie de vinaigre et de trois parties d'eau chaude. Rincez à l'eau chaude du robinet et laissez sécher à l'air.
  - b. Lavez à l'aide d'alcool à friction et laissez sécher à l'air.
  - c. Lavez à l'aide d'un désinfectant commercial (antibactérien - germicide). Suivez les instructions et respectez les taux de dilutions recommandés par le fabricant du produit.

Nettoyez la pompe et le couvercle du contenant collecteur :

1. Débranchez la pompe de l'alimentation électrique.
2. Essuyez le boîtier de la pompe et le couvercle du contenant collecteur à l'aide d'un chiffon propre et d'un désinfectant commercial (antibactérien - germicide).

## MISE EN GARDE

N'immergez pas l'appareil dans l'eau car ceci endommagerait la pompe de façon irrémédiable.

Nettoyez le tube :

1. Débranchez le tube de l'appareil.
2. Le tube doit être soigneusement rincé après chaque usage en y faisant couler de l'eau chaude du robinet, puis une solution faite d'une partie de vinaigre pour trois parties d'eau chaude.
3. Rincez à l'eau chaude du robinet et laissez sécher à l'air.
4. Nettoyez la surface extérieure du tube à l'aide d'un chiffon propre et humide.

## AVERTISSEMENT

Les sécrétions dans le contenant collecteur peuvent causer des infections respiratoires et doivent être traitées comme des déchets médicaux. L'opérateur doit porter des gants et un masque médical pour nettoyer le contenant, le tube et pour manipuler le contenant collecteur et/ou les accessoires.

## ENTRETIEN

Avant chaque usage, vérifiez que le tube et le contenant collecteur sont exempts de fuites, fendillements, etc.

## DANGER

Risques d'électrocution

Ne tentez pas d'ouvrir ou de retirer le dispositif de succion. Si l'appareil nécessite un entretien, rappez-le dans un centre de service autorisé. L'ouverture ou la modification de l'appareil annule la garantie.

Remplacement du filtre antibactérien :

1. Le filtre antibactérien doit être remplacé au besoin. Changez le filtre immédiatement lorsque survient un débordement.
2. Retirez le filtre en le débranchant des tubes qui relient à la vanne d'ajustement de la pression et au couvercle du contenant collecteur.
3. Installez un nouveau filtre antibactérien Drive et rebranchez les deux tubes. Vous pouvez vous procurer des filtres de rechange chez un revendeur autorisé.

## ⚠ NOTA

N'utilisez que des filtres Drive. N'utilisez aucun autre matériau en lieu et place du filtre au risque de créer un site de contamination ou de nuire à l'efficacité du système.

Remplacement du fusible :

1. Ne remplacez le fusible que par un fusible neuf du même type.
2. Caractéristiques du fusible : fusible miniature en verre 5 x 20 mm, à action rapide, F2A / 250 V.

## ⚠ AVERTISSEMENT

Lorsque cet appareil ou ses accessoires atteignent la fin de leur vie utile (varie en fonction de l'utilisation), les résidus dans le contenant collecteur, les tubes et le filtre peuvent causer des infections respiratoires. Disposez du contenant collecteur, des tubes et du filtre dans un contenant prévu pour les déchets médicaux.

# dépannage

Votre pompe aspiratrice robuste ne contient aucune pièce dont l'entretien peut être fait par l'utilisateur. Si vous croyez que l'appareil ne fonctionne pas correctement, vérifiez les points suivants **AVANT DE LE RAPPORTER CHEZ VOTRE FOURNISSEUR D'ÉQUIPEMENT MÉDICAL** :

## PROBLÈME

L'appareil ne démarre pas.

## SOLUTION

1. Vérifiez la source d'alimentation électrique et les branchements.
2. Assurez-vous que la prise de courant est alimentée.
3. Vérifiez le cordon d'alimentation.

Le moteur fonctionne, aucune succion.

1. Vérifiez tous les branchements des tubes.
2. Vérifiez s'il y a des fuites ou si un tube est coincé.
3. Assurez-vous que l'interrupteur à flotteur n'est pas déclenché.
4. Vérifiez la présence de fuites ou de craquelures au niveau du contenant.

Aspiration faible.

1. Augmentez l'aspiration à l'aide du bouton de contrôle.
2. Vérifiez la présence de fuites.
3. Tourner en sens inverse des aiguilles d'une montre le bouton de contrôle de l'aspiration et le détenteur.

Dimensions	(L) 375 x (L) 175 x (H) 250 mm (14,8 x 6,8 x 9,8 po)
Poids	5,5 kg (12,1 lb)
Aspiration maximale	560 +/- 3% mmHg (56 cmHg +/-3%)
Débit	> 40 LPM
Niveau acoustique	< 58 dBA
Alimentation électrique	CA 115 V 60 Hz
Consommation d'électricité	70 watts
Dimension des pores du filtre antibactérien	0,45 microns
Capacité du contenant collecteur	800cc (ml)
Température d'utilisation	32° ~ 104° F (0° ~ 40°C)
Humidité ambiante	95 % HR
Pression barométrique ambiante	10,2 ~ 15,4 psi (70 ~ 106 kpa)
Température d'entreposage	14° ~ 158° F (-10° ~ 70°C)
Humidité au site d'entreposage	0 ~ 95 %
Pression barométrique au site d'entreposage	7,3 ~ 15,4 psi (50 ~106 kpa)
Caractéristiques du fusible	Fusible miniature de verre, 5 x 20 mm, à action rapide, F2A / 250 V
Classification de l'équipement	Classe I pour la protection contre les chocs électriques.

Ce produit Drive est garanti exempt de tout défaut de matériau, de fabrication ou de main d'œuvre pour deux années pour l'acheteur de consommateur original.

Cet appareil a été fabriqué selon des normes de qualité rigoureuses et inspecté avant de quitter l'usine. Cette garantie de deux ans, est un témoignage de la confiance que nous portons aux matériaux, à la main d'œuvre, ainsi qu'aux procédés de fabrication requis pour produire nos appareils afin qu'ils puissent vous assister de manière fiable et sécuritaire pendant de nombreuses années.

Cette garantie ne peut être invoquée dans les cas d'usage inapproprié de l'appareil, en cas de négligence ou d'usure normale. Cette garantie ne couvre pas les pièces qui, de par leur nature, ont une durée de vie plus courte, tel que les embouts de caoutchouc, poignées de mousse, roues et pneus, qui doivent être périodiquement remplacés.

Pour toute question sur cet appareil ou sur sa garantie, veuillez svp, contacter votre détaillant autorisé de produits Drive.





99 Seaview Boulevard  
Port Washington NY, 11050  
Phone: 516-998-4600  
Fax: 516-998-4601  
[www.drivemedical.com](http://www.drivemedical.com)