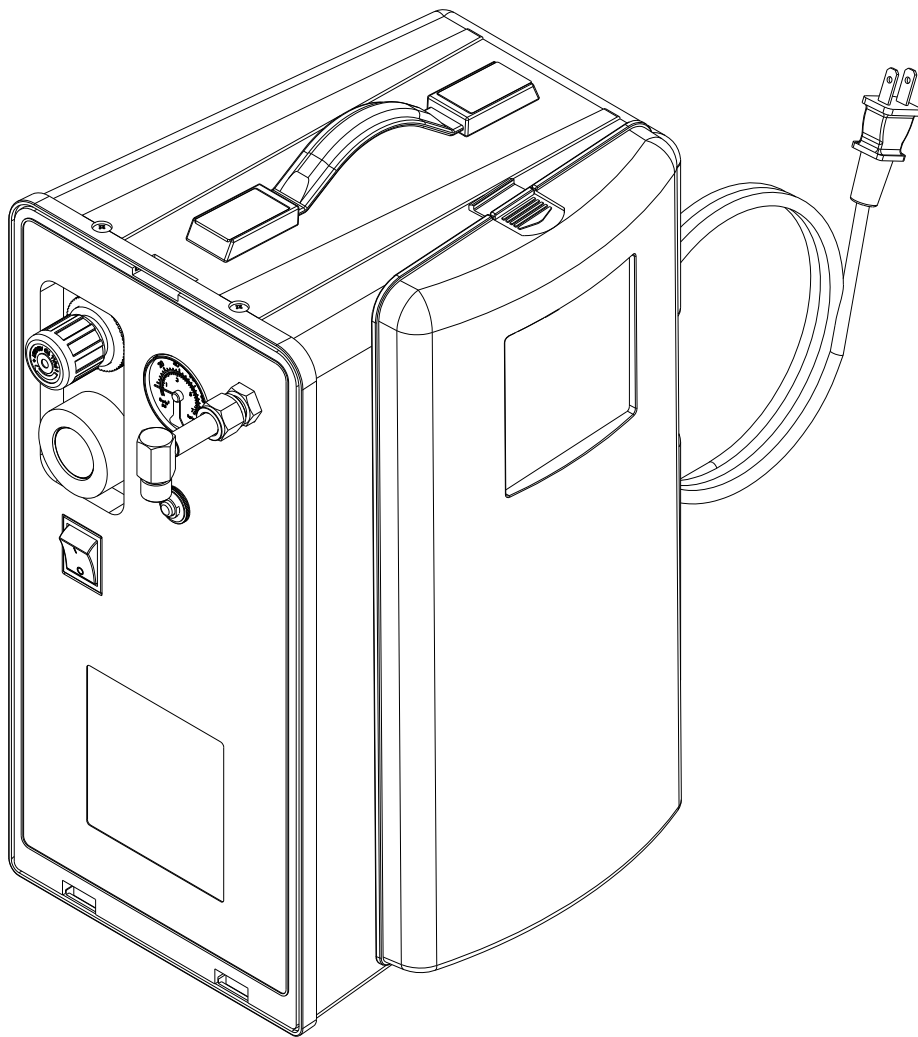


CHAD 50 PSI COMPRESSOR PATIENT INSTRUCTIONS

MODEL # 18450



[Click here to view detailed product information and pricing.](#)

Call 800-397-5899 to order today!

CONTENTS

	Page No.
GENERAL INFORMATION.....	1
-Safety Precautions.....	2
-Basic Operating Parts.....	3
OPERATING INSTRUCTIONS.....	4
-Initial Positioning and Installation.....	4
-Operation.....	4
ROUTINE MAINTENANCE.....	5
-Removing and Cleaning the Air Intake Filter.....	5
SPECIFICATIONS.....	6
TROUBLE SHOOTING.....	7
-Trouble Shooting Chart.....	7
WARRANTY.....	8

GENERAL INFORMATION

This manual provides information necessary to operate the 50 PSI Compressor.

This unit is designed for the most efficient, continuous high pressure performance.

The compressor provides the high pressure which clinical studies have indicated are required for optimal particle size (2 microns or less) .

It operates quietly and effectively due to the unique design of the WOB-L piston.

Easy to clean, very low maintenance, compact, light-weight, and portable.

Powered by standard home current makes it's operation easy and practical for home and hospital use with most makes of aerosol generators such as :

- Compatible with hand-held nebulizer system.
- Heated nebulizer.
- Dual action humidifier/nebulizer.
- Pediatric mist tent.
- High output pneumatic nebulizer .
- Deluxe nebulizer with oxygen diluter.
- Child / adult mist tent.

SAFETY PRECAUTIONS

When using electrical products, especially when children are present, basic safety precautions should always be followed. Read all instructions before using.

Important information is highlighted by these terms:



DANGER

Urgent safety information for hazards that will cause serious injury or death.



WARNING

Important safety information for hazards that might cause serious injury.



CAUTION

Information for preventing damage to the product.



NOTE

Information to which you should pay special attention.

READ ALL USER'S MANUAL BEFORE USING.

SAVE USER'S MANUAL



Note

Connect power cord and plug to properly grounded wall outlet or adapter.



Note

Unplug the power cord when it is necessary to disconnect AC power source.



Note

The compressor is not designed to drive ventilators.



Note

Follow the national requirement to dispose unit.



Caution

Ingestion of aerosols into the compressor may result in damage to the unit and void the warranty.

BASIC OPERATION PARTS

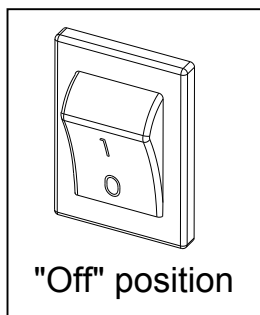
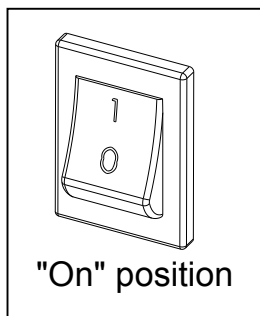
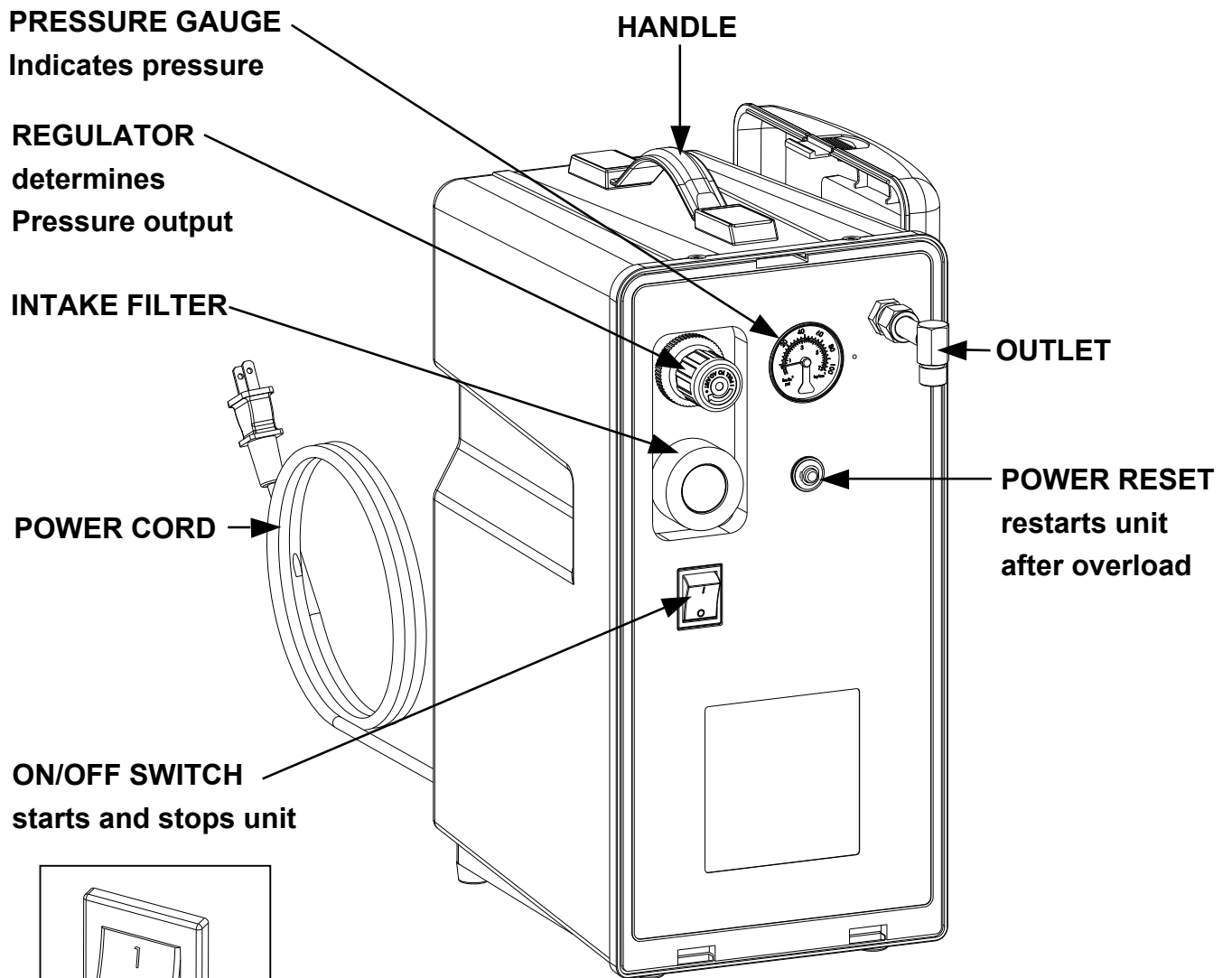


FIGURE 1

OPERATING INSTRUCTIONS

INITIAL POSITIONING AND INSTALLATION

1. Select a suitable location for the unit near a 120 VAC / 230VAC, grounded power Outlet.
2. Grasp handle on top of cabinet and position the unit so that operating controls are Accessible to the user and back of unit is away from wall.
3. Make certain that the power switch located in the center of the control panel is in the OFF position and plug power cord into grounded power outlet or grounded adapter.
4. Be certain that all connections to outlet (i.e. tubing , nebulizers , etc.) are snug and not leaking aerosol.
5. When used in conjunction with mist tents, etc., place unit outside of tent and place unit at a level below discharge end of the delivery tubing.

OPERATION

1. Press Power On/Off switch to ON position.
2. To check the pressure that the compressor is delivering occluded outlet or connect equipment you intend to use with the compressor . Pressure can be adjusted with regulator and observing pressure gauge as follows :
 - a. Pull regulator knob out to unlock adjustment.
 - b. Turn dial of regulator to desired pressure.
 - clockwise – increase pressure
 - counterclockwise – decrease pressure
 - c. Push knob towards unit locking regulator pressure.

ROUTINE MAINTENANCE

REMOVING AND CLEANING THE FILTER

Pull air intake filter out from front of unit and replace with a new one when dirty.
Do not wash it.

 **Caution**

Do not submerge in water as this will result in damage to the vacuum pump.

SPECIFICATIONS / CLASSIFICATIONS / Symbols

Size (L) x (W) x (H) : 15" x 10-5/8" x 18.1"

Weight: 17.2 lbs

Model	18450
Electrical Requirements	115 VAC ~ 60Hz
Flowrate @ Pressure	
0	41
10	34
20	27
30	22
40	16
50	11
Power Consumption (W) @ 0 PSI	170

Operating Temperature range 50° F~ 104° F

Operating Relative Humidity 95%

Storage & Transport Temperature/Relative Range room condition preferred

Circuit Breaker 5A 125/250 VAC

Equipment Classifications With respect to protection from
Electrical shock Class II

Electrical hazard protection class: Type B

Degree of protection against the ingress of water: IPX0- Protection is not provided.

No AP/APG: Equipment not suitable for use in the presence of a flammable anaesthetic mixture with air/oxygen or nitrous oxide.

TROUBLE SHOOTING

If the compressor malfunctions, refer to the trouble shooting chart below for probable cause and remedy . If you can not get the machine to operate, call your home care provider .

TROUBLE SHOOTING CHART

TROUBLE	PROBABLE CAUSE	REMEDY
A. Unit not operating	1. Plug not firmly in wall. 2. No power at wall outlet	1. Check plug at outlet . 2. Check power source, fuse in house
B. Limited air flow	1. Faulty Delivery Tubing. 2. Leak 3. Blocked intake filte.	1. Disconnect delivery tubing at outlet . If proper flow is restored, check equipment and tubing for obstructions or kinks. Replace if needed. 2. Check fitting at outlet and tubing. 3. Clean air intake filter. If flow is not restored, call your home care provider.
C. All other problems		1. Call your home care provider.

1 YEAR LIMITED WARRANTY

Your Drive brand product is warranted to be free of defects in materials and workmanship for one (1) year of the original consumer purchaser.

This device was built to exacting standards and carefully inspected prior to shipment. This 1 Year Limited Warranty is an expression of our confidence in the materials and workmanship of our products and our assurance to the consumer of years of dependable service.

This warranty does not cover device failure due to owner misuse or negligence, or normal wear and tear. The warranty does not extend to non-durable components, such as rubber accessories, casters, and grips, which are subject to normal wear and need periodic replacement.

If you have a question about your Drive device or this warranty, please contact an authorized Drive dealer.



Drive Medical Design & Manufacturing

99 Seaview Boulevard

Port Washington, NY 11050

Phone: 516.998.4600 Fax: 516.998.4601

www.drivemedical.com