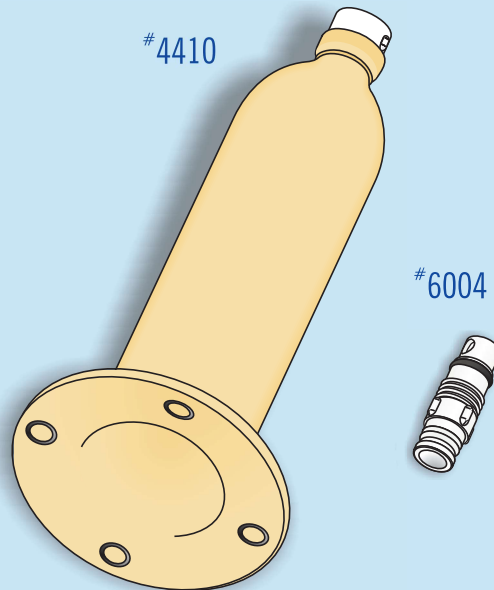




MALE URINAL SHEATH REPLACEMENT COMPONENT

USE AND CARE INSTRUCTIONS



Examine this product carefully. If not entirely satisfied, do not accept.

UNDER NO CONDITIONS WILL IT BE SUBJECT TO RETURN!

Sanitary reasons make this ruling absolute.

FEATURES INCLUDE:

- Comfortable fit that conforms easily to the irregular contours of the body.
- Standard Bottom Drain Valve (No. 6004) included.

●	4410	Large, 20 ~ 40mm, 7"(18cm) long
	4409	Small, 20 ~ 40mm, 4"(10cm) long

CAUTION: This product contains natural latex rubber which may cause allergic reactions in some individuals.

IMPORTANT! READ THIS FIRST:

For best results, certain precautions should be taken before each application. Among them, be certain that all snaps are firmly fastened to both the garment and the urinal sheath before each use, there are no loose stitches and there are no sharp edges on any of the components.

CAUTION: Those with known allergic reactions to latex rubber, should not wear this sheath. Discontinue use immediately at first signs of any skin or other complications and consult a fitter or physician. If discomfort occurs or prolonged wear affects the performance of the product, discontinue use.

DIRECTIONS FOR USE AS A DRIP URINAL

STEP 1: Trimming the Inner Sheath

Pull out the funnel-shaped, inner sheath as shown in Figure 1. The opening of the sheath should be trimmed to fit snugly around the penis to prevent leakage. The sheath is funnel-shaped and may be trimmed to a number of different sizes. If the opening of the sheath is too small or too tight, trim off not more than an $\frac{1}{8}$ " (3mm) at a time. Repeat if necessary until satisfied that you have a comfortable, snug fit. Cut the sheath with a pair of large, sharp scissors to prevent jagged or nicked edges before application.

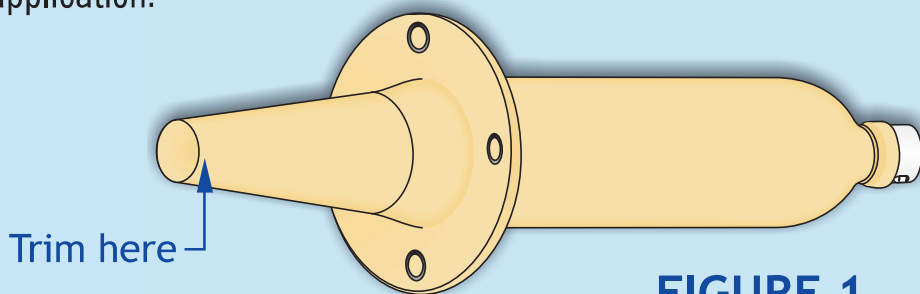


FIGURE 1

CAUTION: For comfort, the inner sheath is made of a thinner, lightweight latex and may tear if cut or trimmed improperly. Be certain there are no signs of jagged or nicked edges before application.

STEP 2: Application of the Urinal Sheath

After the sheath has been trimmed, allow the penis to enter as far as possible so that the end of the inner sheath is as far as possible behind the head of the penis. Return the inner sheath with the penis inserted to its original position inside the outer sheath. If the Standard Bottom Drain

Valve (#6004) is not already in place, insert it into the valve housing at the tip of the urinal sheath. Turning gently clockwise, screw it into position as shown in Figure 2. CAUTION: Do not over-tighten drain valve. To open the valve for drainage, twist counter-clockwise 1½ turns.

STEP 3: Application and Adjustment

With the urinal sheath already applied to the penis, pull the suspensory garment over the legs passing the tip of the urinal sheath through the opening in the garment. Then snap the urinal sheath firmly into position as shown in Figure 3.

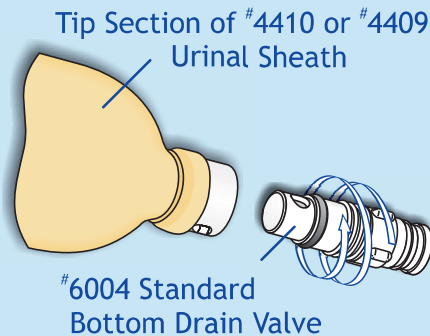


FIGURE 2

Adjustment of the suspensory garment should be made while wearing. The garment should fit snug around the waist, but not too tight.

NOTE: Do not over-tighten the Bottom Drain Valve—doing so may damage the valve housing. Remember to close the valve before use.

CARE AND MAINTENANCE INSTRUCTIONS

To clean a urinal after use, remove the urinal sheath from the suspensory garment and soak for two(2) or three(3) minutes in a weak solution of Urolux® urinary & ostomy appliance cleanser/deodorant followed by a complete rinsing and drying—see back panel of Urolux® bottle for more details.

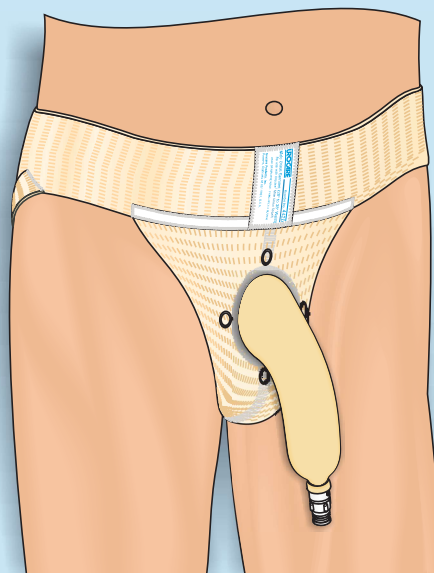


FIGURE 3

CAUTION: Avoid contact with ointments, oils, liquid dish washing soaps or anything that will damage the delicate latex. Store in a cool, dark, dry place. KEEP OUT OF DIRECT SUNLIGHT!



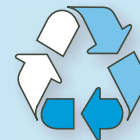
RELATED PRODUCTS

Urocare[®] Reusable Latex Leg Bags
Uro-Safe[®] Disposable Vinyl Leg Bags
Drainage Systems and Kits
Uro-Con[®] & Uro-Cath[®] Male External Catheters
Drain Valves and Adaptors
Drainage Bottles
Uro-Prep[®] Protective Skin Barrier Wipes
Fabric Leg Bag Holders and Straps
Catheter Straps
Uro-Bond[®] Brush-On Silicone Adhesive
Urofoam[®] Adhesive Foam Strips
Urocare[®] Adhesive Remover Pads
Urolux[®] Urinary/Ostomy Appliance Cleanser & Deodorant
Connectors and Clamps
Extension and Drainage Tubing
DRI Excel[™] & DRI Eclipse[™] Bed-Wetting Treatment Alarms

For more information on any of Urocare's other products, contact your nearest Urocare dealer or write to:

Urocare Products, Inc.
Customer Service Department
2735 Melbourne Avenue
Pomona, CA 91767-1931, U.S.A.

Tel: (909) 621-6013 • Fax: (909) 621-4436
Web: www.urocure.com



PLEASE RECYCLE
Printed on
Recycled Paper

MADE IN
U.S.A.

FORM NO: PI4410EN-00423000B