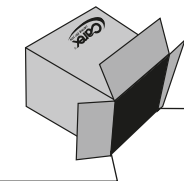
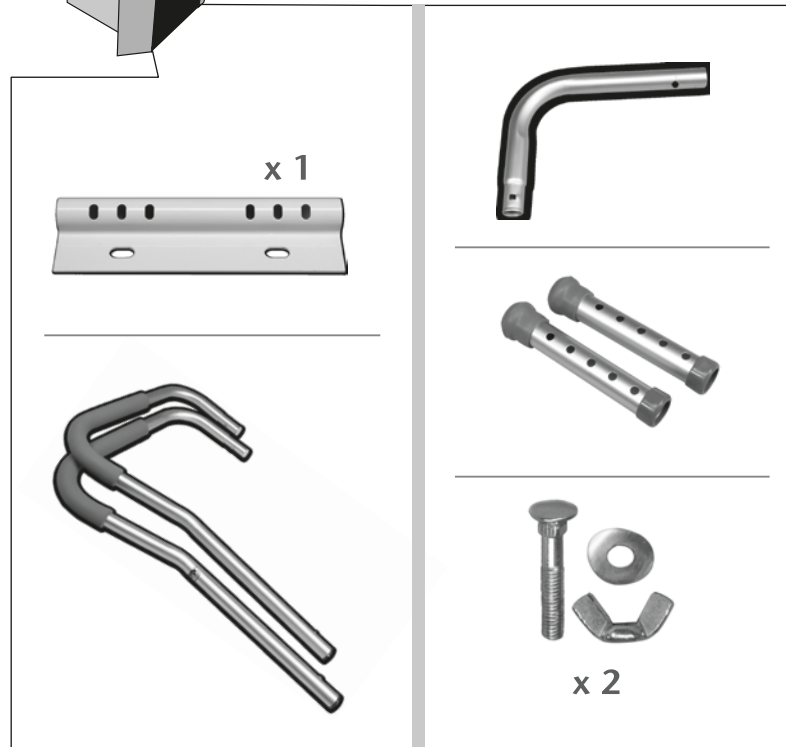


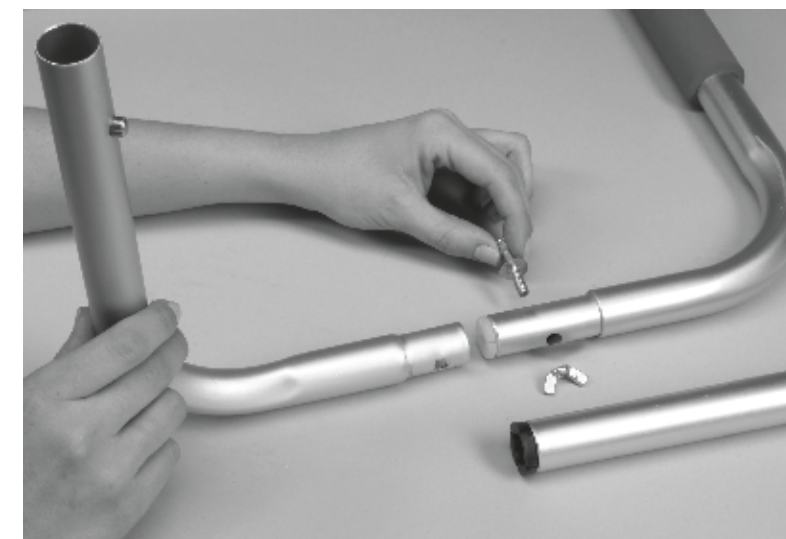
FRONT



INSTALLATION

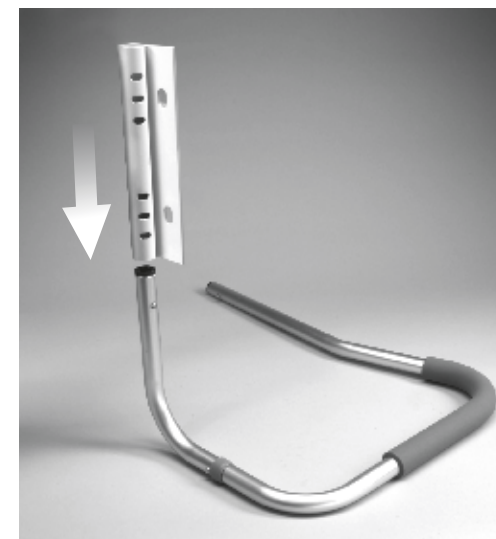


1



Attach elbow to arm as shown using bolt with washer and wing nut. Repeat with other side.

2



Slide attachment fixture onto elbow until it clicks onto the pin. Make sure the flap is facing forward as pictured.

Carex Health Brands

PO Box 2526 • Sioux Falls, SD 57101-2526
Phone: 800-328-2935 • Fax: 888-616-4297
www.carex.com



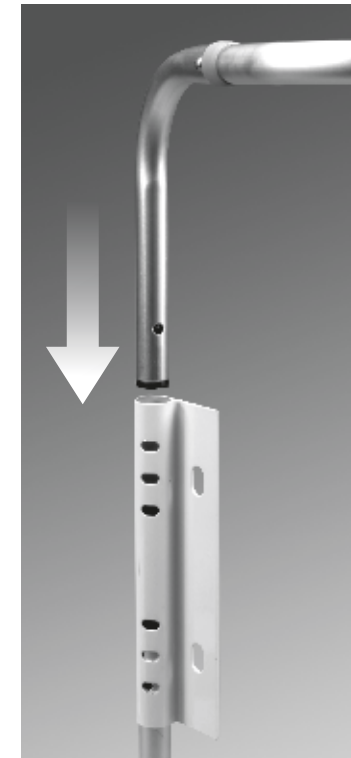
Carex Health Brands

All Rights Reserved
Printed in the China • Made in China
© 2009 Carex Health Brands
40-B358-00_00

BACK

3

Attach other arm rest/elbow to the attachment fixture. Make sure pin has clicked into both holes securely.



4

Slide leg attachments onto bottom of arm rests. Make sure pin has clicked into holes and that both legs are on the same setting so toilet safety frame will be level.



INSTALLATION



With a screw driver remove screws and nut holding on toilet seat.

NOTE: for most toilets you will need to reach behind and underneath toilet to unscrew the nut while using screw driver to unscrew top screw.



Carefully lift off toilet seat and lid.



See picture for example of a typical toilet screw/nut.



Place toilet and lid on top of attachment fixture flap lining up holes.

Replace toilet screws and nuts.

Tighten and check for stability before using.