



Excel Kidz Pediatric

Excel Kidz with Desk-Length Arms and Swing-Away Footrests Chair

MDS806140PEDE

Size

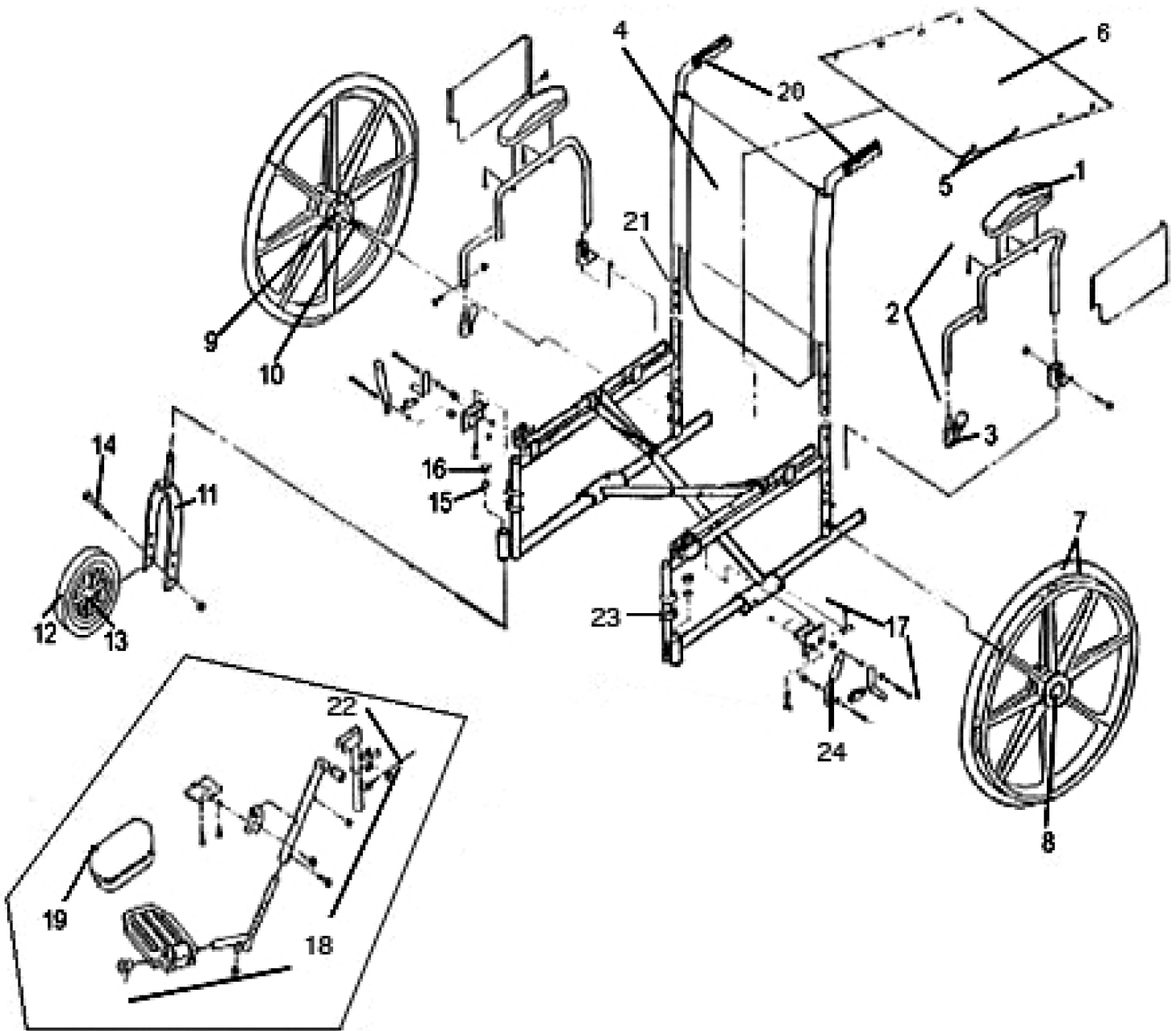
14" (35.6cm)

Arm Style

Swing-back desk-length arms

Leg Style

Elevating leg rests



[Click here to view detailed product information and pricing.](#)

Call 800-397-5899 to order today!

Excel Kidz Wheelchair Parts List

MDS806140PEDE

Number	Description	Part Number
1	ARMREST PAD, DESK LENGTH, EACH	WCA806915P
2	ARMREST W/PAD ASSEMBLY, DESK LENGTH, SWING BACK	WCA806968P
3	ARMLOCK ASSEMBLY	WCA806903K4
4	UPHOLSTERY, BACK, FOR 14" (35.6cm) CHAIR	WCA808926P1
5	SCREW AND WASHERS FOR UPHOLSTERY	WCA806975P
6	UPHOLSTERY, SEAT, FOR 14" (35.6cm) CHAIR	WCA808920P1
7	REAR WHEEL ASSEMBLY W/BEARING AND HANDRIM, EACH	WCA806935PRP
8	REAR WHEEL HUBCAP, EACH	WCA806902P
9	REAR WHEEL BEARING	WCA806955K
10	REAR AXLE AND HARDWARE	WCA806951RP
11	FRONT FORK, PAIR	WCA806931P
12	FRONT CASTER 6" (15.2cm), W/BEARINGS, EACH	WCA806930PP
13	BEARINGS FOR FRONT CASTER	WCA806935PED
14	AXLE AND HARDWARE FOR FRONT CASTER, SET	WCA806933P
15	STEM BEARING FOR FRONT CASTER, PAIR	WCA806950PRP
16	DUST CAP, EACH	WCA806995P
17	WHEEL LOCK ASSEMBLY PAIR	WCA806990P
18	ELEVATING LEGREST, COMPOSITE FOOTPLATE, PAIR	WCA806985KIDZ
19	CALF PAD, EACH	WCA806918P
20	HANDGRIPS, PAIR	WCA806909
21	HEIGHT ADJUSTMENT KNOB FOR HANDLES, EACH	WCAKIDZKNOB
22	LOCKING PIN FOR LEGREST	WCAKIDLEGLOCK
23	LEGREST MOUNTING PIN	WCA806910KIDZ
24	WHEEL LOCK HANDLE, BLACK RUBBER TIP, EACH	WCA806907P
Not Shown	ANTI-TIPPERS	MDS85189K
Not Shown	SEAT BELT	WCABELT
Not Shown	BOLT, PIVOT, FOR ELEVATING LEGREST	WCA806985PB
Not Shown	LEGREST MOUNTING SLEEVE	WCA806925P