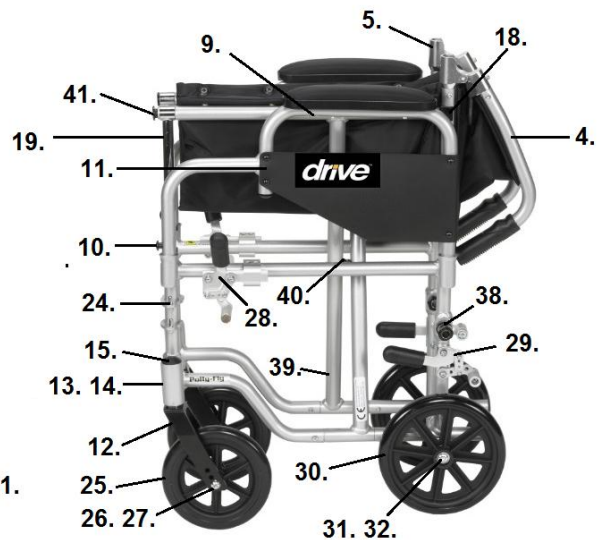


POLYFLY (TR16/18/20)



- 1. Back Upholstery 16"- STDS2A1626
Back Upholstery 18"- STDS2A1618
Back Upholstery 20"- STDS2A1625
- 2. Back Upholstery Hardware (8 ea)- STDS5D5504
- 3. Handgrip- STDS871
- 4. Backrest Cane- STDS2A1601
- 5. Folding Cane Hinge- STDS001013
- 6. Release Lever- TRB-1
- 7. Arm Rest Left- STDS2A162L
Arm Rest Right- STDS2A162R
- 8. Desk Arm Pad- STDS2A162R
- 9. Arm Pad Screw (ea)- STDS002001
- 10. Arm Release Button- STDS2A162B
- 11. Clothing Guard Left- STDS2A4204
Clothing Guard Right- STDS2A4203
- 12. Fork- STDS2A1623
- 13. Fork Stem Nut- STDS001045
- 14. Fork Stem Bearing- STDS1060
- 15. Dust Cap- STDS1066
- 16. Seat Upholstery 16"- STDS2A1616
Seat Upholstery 18"- STDS2A1608
Seat Upholstery 20"- STDS2A1620
- 17. Seat Upholstery Hardware (8 ea)- STDS1072-8
- 18. Seat Rail Guide- STDS5D1070
- 19. Slide Tube 16" & 18"- STDS2A1610
Slide Tube 20" ***
- 20. Footrest (pr)- TR18SF
- 21. Footplate Left- TR18FP-L
Footplate Right- TR18FP-R
- 22. Footrest Bumper- STDS1026
- 23. Footrest Release Lever Left- STDS00004L
Footrest Release Lever Right- STDS00004R
- 24. Hanger Pins (4 ea)- STDS1069-4
- 25. Caster - STDS2A1602
Caster - STDS2A1602N **
- 26. Caster Bearing- STDS1011
- 27. Caster Axle- STDS2A1622
- 28. Wheel Lock 24" Rear Wheel Left- STDS2A161L
Wheel Lock 24" Rear Wheel Rt.- STDS2A161R
Wheel Lock Pad 24" Rear Wheel- STDS2A161P
Wheel Lock Tip- STDS2A4335
- 29. Wheel Lock 8" Rear Wheel Left- STDS2A163L
Wheel Lock 8" Rear Wheel Rt.- STDS2A163R
Wheel Lock Pad 8" Rear Wheel- STDS2A1612
Wheel Lock Tip- STDS2A4335
- 30. 8" Rear Wheel- STDS2A1603
- 31. 8" Rear Wheel Bearing- STDS002050
- 32. 8" Rear Wheel Axle- TR-AXLE
- 33. 24" Rear Wheel- STDS2A1600
- 34. 24" Rear Wheel Bearing- STDS5D1012
- 35. Hand Rim- STDS004012
- 36. Hand Rim Hardware (8 ea)- STDS1073
- 37. 24" Rear Wheel Axle- STDS1005
24" Rear Wheel Q/R Axle- STDS2A1621
- 38. Rear Axle Receiver- STDS2A1611
- 39. Cross Frame 16"- STDS2A1685
Cross Frame 18"- STDS2A1688
Cross Frame 20"- STDS2A162X *
- 40. Cross Frame Bolt- STDS001061
- 41. Frame Plug- WCP 1287
- 42. Side Frame 16" & 18" Left- STDS2A1687
Side Frame 16" & 18" Right- STDS2A1686
Side Frame 20" Left- STDS2A1687-20
Side Frame 20" Right- STDS2A1686-20
Not Shown Anti-Tipper- STDS2A1658

* Includes slide tubes.

** Serial # 2A10110001 and later.

*** 20" slide tubes only sold with 20" cross frame.