

www.drivetech.info

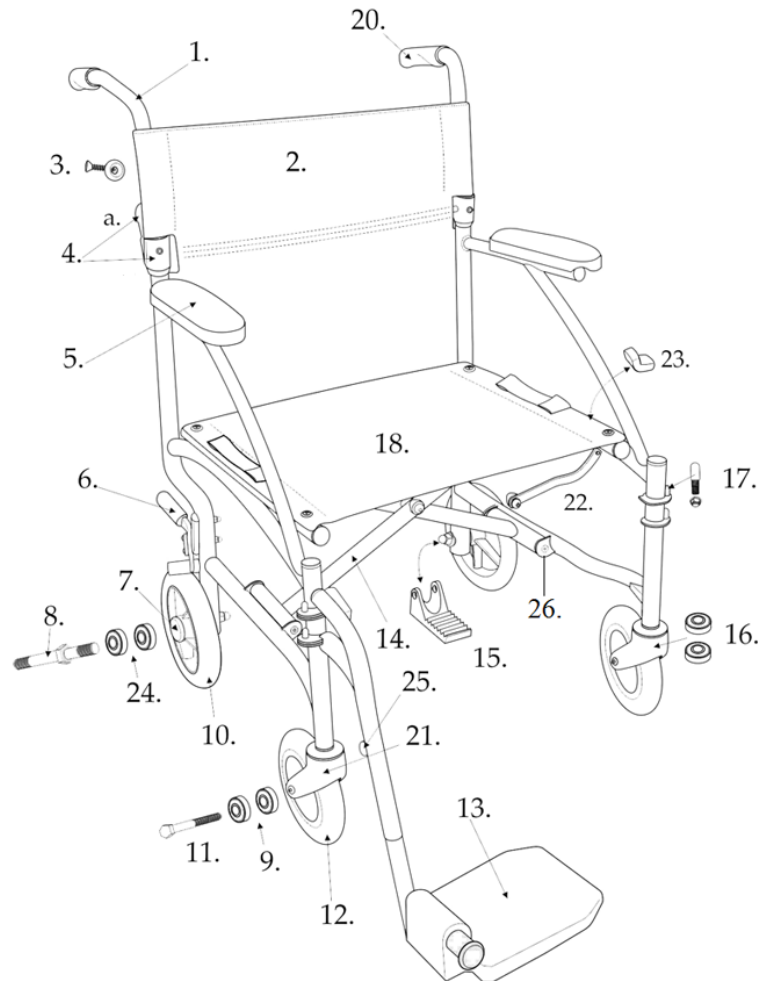


DFL

www.drivetech.info



1. Handle Bar:  
Blk. STDS2A181R Right, L -Left  
Blue- STDS2A182R Right, L -Left  
Red- STDS2A183R Right, L-Left
2. Back Upholstery:  
Black- STDS2A1891  
Silver Plaid- STDS2A1892  
Blue Plaid- STDS2A1893
3. Back Upholstery Screw- STDS001071
4. Cane Hinge Assm.- STDS001014
- 4a. Release Lever- TRB-1
5. Arm Pad:  
Black- STDS2A1824  
Silver Plaid- STDS2A1804  
Blue Plaid- STDS2A1814
6. Brake Assm.- STDS2A184R, Right or L, Left  
Brake Tip- STDS4011
7. Rear Hub Cap- STDS2A1801
8. Rear Axle Bolt- STDS2A1811
9. Axle Bearings- STDS1011
10. Wheel- STDS2A1800
11. Front Axle Bolt- STDS2A1806
12. Front Wheel- STDS2A1810
13. Footrest: Black- DFLSFBK  
Blue- DFLSFBL  
Red- DFLSFRD
14. Cross Frame: Blue- STDS2A18X1  
Black- STDS2A18X2  
Red- STDS2A18X3
15. Tipping Anchor- STDS2A1802
16. Fork Stem Bearing- STDS1016
17. Hanger Pin- STDS1069-4
18. Seat Upholstery:  
Black- STDS2A1819  
Silver Plaid- STDS2A1829  
Blue Plaid- STDS2A1839
20. Handgrip- STDS871
21. Fork Assm.- STDS2A1805



22. Cross Frame Assist- Blue STDS2A1803  
Red STDS2A1808, Black STDS2A1809
23. Seat Rail Pad- STDS2A1807
24. Rear Bearing Axle- STDS002050
25. Footrest Knob- FWSFK  
Footrest Knob Receiver- FWSFK-R
26. Crossframe Screws (4)- STDS2A18XS-4 \*

\* For 2A serial #.

02/26/18