

**Homecare Beds  
(Manual, Semi-Electric, Full Electric)**

**CareGuard™ by Invacare©  
Bariatric Bed  
(Full Electric)**



*Yes, you can.*

# Parts Catalog Usage Guide

The information contained in this document is subject to change without notice. This catalog contains service parts for Form No. 90-147. If you have any questions regarding this catalog, please contact one of our Customer Service Representatives.

**For Customer Service Support Call:**

**1-800-333-6900**

**For Faxed In Orders Call:**

**1-800-678-4682 or**

**1-440-366-0709**

**For Technical Service Call:**

**1-800-832-4707**

**Literature Can Be Found at:**

**www.invacare.com or**

**1-800-828-6272**

## SYMBOL DEFINITION

Throughout this catalog you will notice letters to draw your attention to specific footnotes which are located at the bottom of the page or below specified charts.

Examples:

A,B,C etc. = Special Comments

NOTE: = General information pertaining to that specific page

NLA = No Longer Available

## HARDWARE MEASUREMENTS

The measurements for the hardware will be listed as follows:

Screws, Bolts Diameter X Thread Count/Pitch X Length

Washers Inside Diameter X Outside Diameter X Thickness

Spacers Inside Diameter X Outside Diameter X Length

For your convenience, we have supplied an area for you to list your Invacare Representatives.

Name	Phone Numbers

© 2018 Invacare Corporation, Elyria, Ohio. Invacare, the Medallion Design and Yes, you can. are registered trademarks; CareGuard and IVC are trademarks of Invacare Corporation.

# TABLE of CONTENTS

<b>Description</b>	<b>Page Number</b>
01. Quick Reference Guide - Electric Bed & Pendants .....	4
02. Quick Reference Guide - Bed Model & Component Numbers .....	10
03. Literature .....	15
04. Packaging .....	16
05. Head Spring (5000, 5000IVC) .....	18
06. Head Spring - Full Electric (BAR5000IVC) .....	20
07. Head - Foot Spring (BAR600 - BAR5000 and BAR5490) .....	22
08. Foot Spring - Manual (5770, 5772) .....	25
09. Foot Spring - Manual (5770IVC) .....	26
10. Foot Spring - Semi Electric (5890, 5891, 5892) .....	28
11. Foot Spring - Semi Electric (5890IVC, 5891IVC) .....	31
12. Foot Spring - Full Electric (5491) .....	34
13. Foot Spring - Full Electric (5492) .....	37
14. Foot Spring - Full Electric (5490) .....	39
15. Foot Spring - Full Electric (5490IVC, 5491IVC) .....	42
16. Foot Spring - Full Electric (BAR5490IVC) .....	45
17. Bed Ends - Manual and Semi Electric (5100) .....	48
18. Bed Ends - Manual and Semi Electric (5200) .....	50
19. Bed Ends - Manual, Full or Semi Electric (5301IVC) .....	53
20. Bed Ends - Semi - Full Electric and Careguard (5300/01 and 5400/01) .....	56
21. Bed Ends - CareGuard (CG5301 After 6/30/05) .....	60

# TABLE of CONTENTS

<b>Description</b>	<b>Page Number</b>
22. Bed Ends - Full Electric (BAR5401) .....	62
23. Bed Ends - Full Electric (BAR5301IVC) .....	65
24. Bed Ends - Full Electric (5301LOW) .....	67
25. Bed Accessories .....	70
26. BAR1000 (Discontinued) .....	73
27. Full Electric (BAR750) .....	74
28. Careguard by Invacare .....	76
29. Drive Shafts .....	77
30. Pull Tubes - Manual (5770 and 5770IVC) .....	79

# Quick Reference Guide - Electric Bed & Pendants

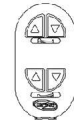
## Pendants

### Full Electric



IVC Pendant

### Semi-Electric



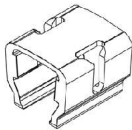
IVC Pendant



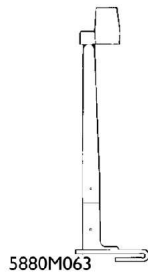
### CareGuard



### Pendant Clip



026975



5880M063

# Quick Reference Guide - Electric Bed & Pendants

## Adapter Cords

Bed Type	Bed Model Number	Motor Part Number	Adapter Cord Part Number
Semi-Electric	5310, 5886, and 5887	5880M067-NLA 5880M068-NLA	1104342-NLA See Note(s) A
Semi-Electric	5108-7 5208-7 5308-7	5880M067-NLA 5880M068-NLA	52000M600-NLA See Note(s) B
Full Electric	5410, 5996, and 5997	5880M067-NLA 5990M018-NLA 5880M068-NLA	1104342-NLA See Note(s) A
Full Electric	5409-7 5409-8	5880M067-NLA 5990M018-NLA 5880M068-NLA	52000M600-NLA See Note(s) B

NOTE: A - Connects the White, 4-pin square connector of the new style motor to the white, 6-pin rectangular receiver of the old-style junction box.  
B - Connects the older motors to the new junction box.

### Semi Electric - U.S.

Bed Models	Foot Spring	Plug Type Motor	Pendant (Rectangular Plug)	Junction / Controller Box Kit	Head Motor with Pull Tube	Foot Motor with Pull Tube
5108-7 5208-7 5308-7	5886-NLA	Rectangular	7001M298	52000M368 See Note(s) A	5880M067-NLA See Note(s) B	5880M068-NLA See Note(s) B
5108-8 5208-8 5308-8	5887-NLA	Rectangular	7001M298 4-Way	52000M368 See Note(s) A	5880M067-NLA See Note(s) B	5880M068-NLA See Note(s) B
5110 5210 5310	5890	Square 4 Pin White	7001M298	1104345-NLA	7001M300-NLA	7001M305-NLA
5310IVC	5890IVC	Molded Grey Plug with O-Ring 6 Pin White	1115288	1117177	1121270	1116644

NOTE: A - Junction Box Replacement Kit includes: Junction Box, Power Cord, and Adapter Cords. Adaptor Cords allow the use of rectangular plug motors with square plug Junction Box Kit.  
B - Order corresponding new style motor 5310 Bed and also (1) Adaptor Cord.

### Semi Electric - Canadian

Bed Model	Foot Spring	Plug Type (Motor)	Pendant (Rectangular Plug)	Junction / Controller Box Kit	Head Motor with Pull Tube	Foot Motor with Pull Tube
5311	5891	Square 4 Pin White	7001M298	1104345-NLA	7001M327-NLA	7001M325-NLA

# Quick Reference Guide - Electric Bed & Pendants

## Semi Electric - Canadian

Bed Model	Foot Spring	Plug Type (Motor)	Pendant (Rectangular Plug)	Junction / Controller Box Kit	Head Motor with Pull Tube	Foot Motor with Pull Tube
5311IVC	5891IVC	Molded Grey Plug with O-Ring 6 Pin White	1119170	1119166	1121270	1116644

# Quick Reference Guide - Electric Bed & Pendants

## Semi Electric - International

Bed Models	Foot Spring	Plug Type (Motor)	Pendant (Rectangular Plug)	Junction / Controller Box Kit	Head Motor with Pull Tube	Foot Motor with Pull Tube
5312	5892-NLA	Square 4 Pin White	7001M298	1104346-NLA	7001M324-NLA	7001M325-NLA
ES1000LT	7050LT-NLA	Square 4 Pin White	7001M298	1104345-NLA	7001M303-NLA	7001M307-NLA

## Full Electric and BAR600 - U.S.

Bed Model	Foot Spring	Plug Type (Motor)	Pendant (Rectangular Plug)	Controller/Junction Box Kit	Head Motor with Pull Tube	Hi/Lo Motor with Bracket	Foot Motor with Pull Tube
5409-7	5996-NLA	Rectangular	7001M297	52000M367 See Note(s) A	5880M067-N LA See Note(s) B	5990M018-N LA See Note(s) B	5880M068-N LA See Note(s) B
5409-8	5997-NLA	Rectangular	7001M297	52000M367 See Note(s) A	5880M067-N LA See Note(s) B	5990M018-N LA See Note(s) B	5880M068-N LA See Note(s) B
5410	5490-NLA	Square 4 Pin White	7001M297	1104343	7001M300-N LA	7001M308-N LA	7001M305-N LA
5410IVC	5490IVC	Molded Grey Plug with O-Ring 6 Pin White	1115290	1117178	1121270	1116653	1116644
BAR600	BAR5490	Square 4 Pin White	7001M297	1104347-NLA See Note(s) C	1125307	1132750	5600M008
BAR600IVC	BAR5490IVC	Square 4 Pin White	7001M297	1106398-NLA See Note(s) C	1125307	1132750	5600M008

NOTE: A - Junction Box Replacement Kit includes Junction Box, Power Cord, and Adapter Cords. Adapter Cords allow the use of Rectangular Plug Motors with current Square Plug Junction Box.  
 B - Order corresponding new style Motor from 5410 Bed and Adapter Cord (1) ea. p/n 1104342.  
 C - No longer available, use Kit part #1104343 used for model 5410 as its replacement. Includes the Controller/Junction Box and Installation Instructions.

## Full Electric - Canadian

Bed Model	Foot Spring	Plug Type (Motor)	Pendant (Rectangular Plug)	Junction / Controller Box Kit	Head Motor with Pull Tube	Hi/Lo Motor with Bracket	Foot Motor with Pull Tube
5411	5491	Square 4 Pin White	7001M297	1104343	7001M327-N LA	7001M329	7001M328-N LA



# Quick Reference Guide - Electric Bed & Pendants

## Full Electric - Canadian

Bed Model	Foot Spring	Plug Type (Motor)	Pendant (Rectangular Plug)	Junction / Controller Box Kit	Head Motor with Pull Tube	Hi/Lo Motor with Bracket	Foot Motor with Pull Tube
5411IVC	5491IVC	Molded Grey Plug with O-Ring 6 Pin White	1119171	1119167	1121270	1116653	1116644

# Quick Reference Guide - Electric Bed & Pendants

## Full Electric - International

Bed Model	Foot Spring	Plug Type (Motor)	Pendant (Rectangular Plug)	Junction / Controller Box Kit	Head Motor with Pull Tube	Hi/Lo Motor with Pull Tube	Foot Motor with Pull Tube
5412	5492-NLA	Square 4 Pin White	7001M297	1104344-NLA	7001M324-NLA	7001M326-NLA	7001M325-NLA

## Single Drive (Careguard)

Bed Model	Foot Spring	Plug Type	Pendant (Rectangular Plug)	Head Motor with Pull Tube	Foot Motor with Pull Tube
CGBED	8050DK-NLA	Molex Plug	54000M678-NLA	7001M267-NLA	7001M263-NLA

## Electronic Conversion Kits

Conversion Type	U.S.	Canadian
Manual to Semi Electric See Note(s) A	1117169-NLA	1121066-NLA See Note(s) A
Manual to Full Electric See Note(s) B	1117170-NLA	1121068-NLA See Note(s) B
Semi to Full Electric See Note(s) C	1117171	1121067 See Note(s) C

NOTE: A - Includes: Head & Foot Motor, Junction/Control Box, Pendant, 3 Cables, Cable Lock, Motor Guard, Mounting Brackets, Motor Mounts, Cable Ties, Hardware, and Instruction Sheet.  
 B - Includes: Head, Foot, & Hi-Lo Motors, Junction/Control Box, Pendant, 4 Cables, Cable Lock, Motor Guard, Mounting Brackets, Cable Ties, Hardware, and Instruction Sheet.  
 C - Includes: Hi-Lo Motor, Junction/Control Box, Pendant, Cable, Cable Lock, Cable Ties, Hardware, and Instruction Sheet.

# Quick Reference Guide

## Bed Model and Component Numbers

### Manual

#### Split Spring Models

Fixed Height	5107-NLA	5880M004	5000-NLA	5770-NLA	7001M012	5100-NLA	5300M053-N LA
Two Crank Hi/Lo	5207-NLA	5880M004	5000-NLA	5770-NLA	7001M012	5200-NLA	5200M026
Single Crank Hi/Lo -U.S. Models	5307-NLA	5880M004	5000-NLA	5770-NLA	7001M012	5301-NLA	5300M053-N LA
Single Crank Hi/Lo -International Models	5302	5880M004	5000-NLA	5772	5770M014-N LA	5301-NLA	5300M053-N LA
Single Crank Hi/Lo	5307IVC	5880M004	5000IVC	5770IVC	7001M012	5301IVC	1116636-NLA See Note(s) A
Single Crank Hi/Lo	5307IVC	5880M004	5000IVC	5770IVC	7001M012	5301IVC	1157942 See Note(s) A
Bed Style	Model Number	Emergency Handle	Head Springs	Foot Springs	Head/Foot Cranks	Bed Ends	Hi/Lo Crank

NOTE: A - All models designated for "Government" use 1157942. All others use 1116636.

#### Semi-Electric

#### Split Spring Models

Bed Style	Model Number	Emergency Handle	Head Springs	Foot Springs	Head/Foot Cranks	Bed Ends	Hi/Lo Crank
Non-Synchro nizer (Before 7/90) Fixed Height	5108-NLA	5880M004	5000-NLA	5887-NLA	7001M012	5100-NLA	5300M053-N LA
Non-Synchro nizer (Before 7/90) Two Crank Hi/Lo	5208-NLA	5880M004	5000-NLA	5887-NLA	7001M012	5200-NLA	5200M026
Non-Synchro nizer (Before 7/90) Single Crank Hi/Lo	5308-NLA	5880M004	5000-NLA	5887-NLA	7001M012	5300-NLA	5300M053-N LA
Synchronizer (After 6/90) Fixed Height	5110-NLA	5880M004	5000-NLA	5890	7001M012	5100-NLA	5300M053-N LA
Synchronizer (After 6/90) Two Crank Hi/Lo	5210-NLA	5880M004	5000-NLA	5890	7001M012	5200-NLA	5200M026

# Quick Reference Guide Bed Model and Component Numbers

## Semi-Electric

### Split Spring Models

Bed Style	Model Number	Emergency Handle	Head Springs	Foot Springs	Head/Foot Cranks	Bed Ends	Hi/Lo Crank
Synchronizer (After 6/90) Single Crank Hi/Lo - US Models	5310-NLA	5880M004	5000-NLA	5890	7001M012	5301-NLA	5300M053-NLA
Synchronizer (IVC Models) Single Crank Hi/Lo - US Models	5310IVC	5880M004	5000IVC	5890IVC	N/A	5301IVC	1116636-NLA See Note(s) A
Synchronizer (IVC Models) Single Crank Hi/Lo - US Models	5310IVC	5880M004	5000IVC	5890IVC	N/A	5301IVC	1157942 See Note(s) A
Synchronizer (After 6/90) Single Crank Hi/Lo - Canadian Models	5311-NLA	5880M004	5000-NLA	5891	7001M012	5301-NLA	5300M053-NLA
Synchronizer (After 6/90) Single Crank Hi/Lo - International Models	5312	5880M004	5000-NLA	5892-NLA	7001M012	5301-NLA	5300M053-NLA
Synchronizer (IVC Models) Single Crank Hi/Lo - Canadian Models	5311IVC	5880M004	5000IVC	5891IVC	N/A	5301IVC	1116636-NLA See Note(s) A
Synchronizer (IVC Models) Single Crank Hi/Lo - Canadian Models	5311IVC	5880M004	5000IVC	5891IVC	N/A	5301IVC	1157942 See Note(s) A

NOTE: A - All models designated for "Government" use 1157942. All others use 1116636.

# Quick Reference Guide

## Bed Model and Component Numbers

### Full Electric

#### Split Spring Models

Bed Style	Model Number	Emergency Handle	Head Springs	Foot Springs	Head/Foot Crank	Bed Ends	Hi/Lo Crank
Non-Synchronizer (Before 7/90)	5409-NLA	5880M004	5000-NLA	5997-NLA	5770M014-N LA	5400-NLA	1134790 See Note(s) A
Synchronizer - U.S. Models  (After 6/90) Homecare Beds	5410-NLA	5880M004	5000-NLA	5490-NLA	5770M014-N LA	5401-NLA	1134790 See Note(s) A
Synchronizer - U.S. Models  (IVC Models) Homecare Beds	5410IVC	5880M004	5000IVC	5490IVC	5770M014-N LA	5301IVC	1116636-NLA See Note(s) B
Synchronizer - U.S. Models  (IVC Models) Homecare Beds	5410IVC	5880M004	5000IVC	5490IVC	5770M014-N LA	5301IVC	1157942 See Note(s) B
Synchronizer - U.S. Models  (After 6/90) Bariatric Bed	BAR600	5880M004	BAR5000	BAR5490	5770M014-N LA	BAR5401	1134790 See Note(s) A
Synchronizer - U.S. Models  (IVC Models) Bariatric Bed	BAR600IVC	5880M004	BAR5000IVC	BAR5490IVC	N/A	BAR5301IVC	N/A
Synchronizer - Canadian Models	5411-NLA	5880M004	5000-NLA	5491	5770M014-N LA	5401-NLA	1134790
Synchronizer (IVC Models) - Canadian Models	5411IVC	5880M004	5000IVC	5491IVC	5770M014-N LA	5301IVC	1116636-NLA See Note(s) B
Synchronizer (IVC Models) - Canadian Models	5411IVC	5880M004	5000IVC	5491IVC	5770M014	5301IVC	1157942 See Note(s) B
Synchronizer - International Models	5412	5880M004	5000-NLA	5492-NLA	5770M014-N LA	5401-NLA	1134790 See Note(s) A

# Quick Reference Guide Bed Model and Component Numbers

## Full Electric

### Split Spring Models

Bed Style	Model Number	Emergency Handle	Head Springs	Foot Springs	Head/Foot Crank	Bed Ends	Hi/Lo Crank
Hi/Lo Crank Direct Replacement for Non-IVC style beds	N/A	N/A	N/A	N/A	N/A	N/A	1134790  See Note(s) A
NOTE: A - Includes the Gearbox and the 80" Drive Shaft. B - All models designated for "Government" use 1116636. All others use 1157942.							

# Quick Reference Guide Bed Model and Component Numbers

**Careguard by Invacare Single Drive**

## Split Spring Models

Bed Style	Model Number	Emergency Handle	Head Springs	Foot Springs	Head/Foot Crank	Bed Ends	Hi/Lo Crank
Single Drive Crank Hi/Lo	CGBED-NLA	5880M004	5000-NLA	8050DK-NLA	5770M014-NLA	5301-NLA	1134790 See Note(s) A
NOTE: A - Includes the Gearbox and the 80" Drive Shaft.							

# Literature

## Owner's Manual

Part Number	Description
51000M493-NLA	NLA - Owner's Manual, Homecare Beds - U.S.
54000M544-NLA	NLA - Owner's Manual, Homecare Beds - International
1114836	Owner's Manual, IVC Beds - U.S.
1118372	Owner's Manual, IVC Beds - French/Canadian
1123842	Owner's Manual, Bariatric IVC Bed
1130173	Owner's Manual, Low Bed

NOTE: When adjusting or replacing parts, please refer to the Owner's Manual for assistance.

## Warning Label

Part Number	Description
1130183	Label, Entrapment Warning



# Packaging

## Homecare Beds

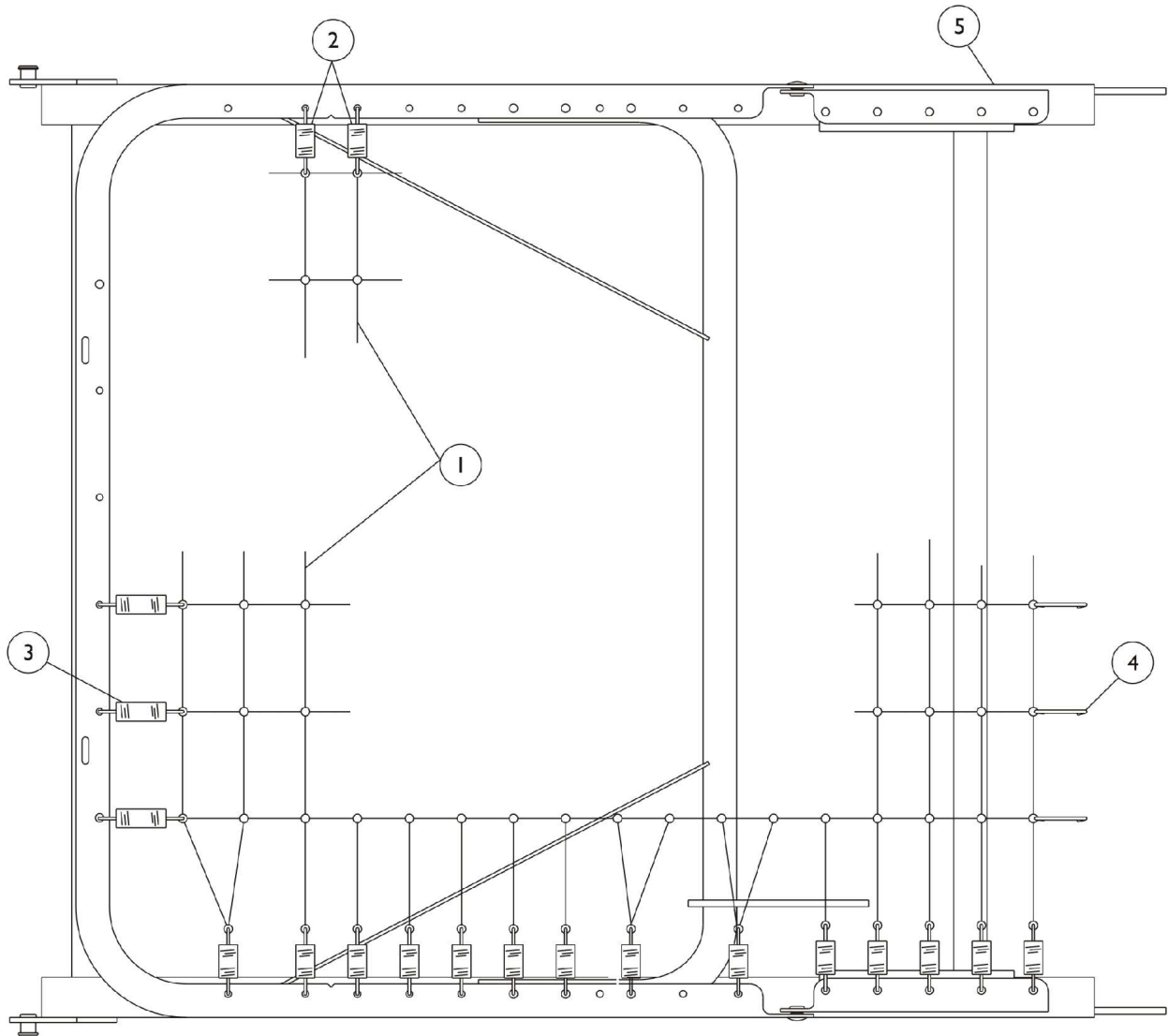
Bed Style	Part Number	Description
IVC U.S. Only		
	1115274-NLA	NLA - Carton, Bed End
	1115275	Insert, Bed End
	1115276	Insert, Bed End
IVC and Non-IVC		
	53000M818	Carton, Headspring
	53000M819-NLA	NLA - Carton, Manual Footspring
	53000M820	Carton, Full/Semi Electric Footspring
	1117175	Insert, Foot Spring
Non-IVC Only		
	51000M308-NLA	NLA - Carton, Bed End
	51000M309-NLA	NLA - Insert, Bed End

# Packaging

## Bariatric Bed - BAR600

Part Number	Description
56000M040-NLA	NLA - Carton, Bed End
51000M309-NLA	NLA - Insert, Bed End
56000M039	Carton, Headspring
56000M038	Carton, Footspring
56000M042-NLA	NLA - Insert, Carton Head/Footspring
56000M044-NLA	Bag, Poly

# Head Springs 5000 and 5000IVC

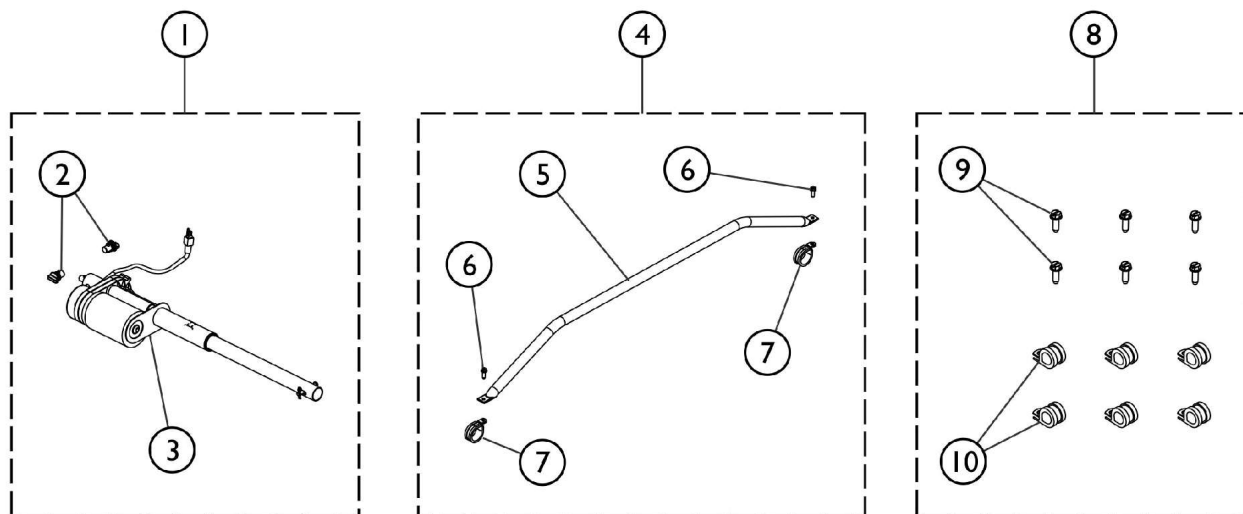


## Head Springs 5000 and 5000IVC

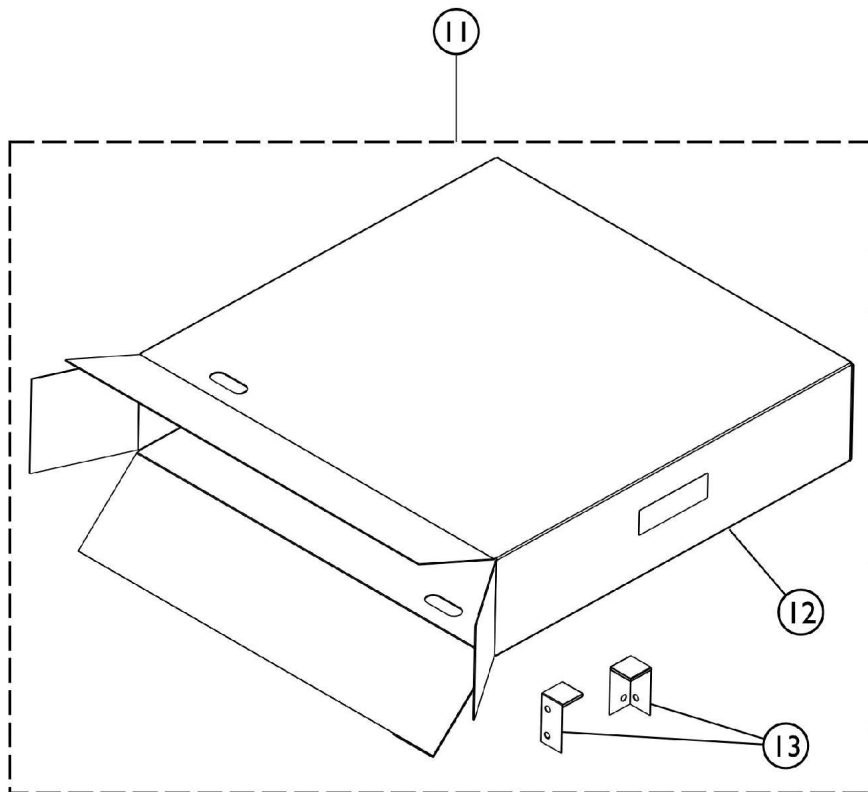
Item Number	Note	Part Number	Description	Quantity Per	
				Package	Assembly
1		51000M133	Fabric, Link - Head Spring (16 x 7")	1	1
2		51000M135	Spring, Helical (11 turns)	1	28
3		51000M136	Spring, Helical (18 turns)	1	6
4		51000M013	Link, Center	1	6
5	A	5000M001	Frame, Head Spring (without fabric), Brown	1	1
NOTE: A - Part cannot be serviced in the field. Invacare uses a stretching machine to put the springs on.					
Part number 5000M001 cannot be serviced in the field. Invacare uses a stretching machine to put the springs on.					

# Head Spring - Full Electric (BAR5000IVC)

**NOTE:** Bed Ends with the "Woodgrain" finish are from the BAR600 group Manufactured "before 5/05." Bed Ends with the "Composite" finish are from the BAR600IVC group manufactured "after 2/05." Please check before ordering service parts.



**In This Assembly, Item #7 Must Be Positioned Under Item #5 To Insure Proper Fit.**



SBP\_056A

## Head Spring - Full Electric (BAR5000IVC)

**NOTE: Bed Ends with the "Woodgrain" finish are from the BAR600 group Manufactured "before 5/05."  
Bed Ends with the "Composite" finish are from the BAR600IVC group manufactured "after 2/05." Please  
check before ordering service parts.**

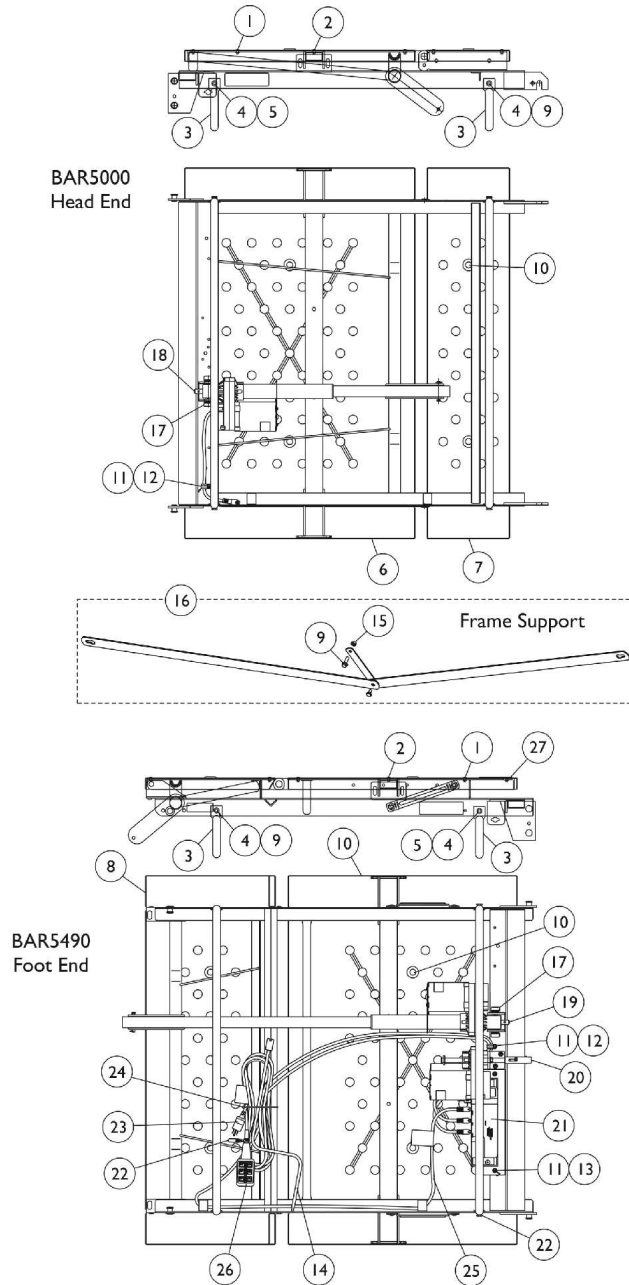
Item Number	Note	Part Number	Description	Quantity Per	
				Package	Assembly
1	A,E	1140216	Kit, Head Motor Assembly	1	1
2			Mount, Motor	1	2
3			Motor, Head with Pull Tube and Hardware	1	1
3		1125307	Motor, Head with Pull Tube and Hardware	1	1
4	B	1132528	Kit, Motor Guard Replacement - Head End	1	1
5			Guard, Motor	1	1
6			Screw, Slotted Hex Head Tap (1/4-20 x 3/4")	1	2
7			Clamp, Cable, Steel (9/16")	1	2
8	C	1132529	Kit, Cable Clamp w/ Hardware, Both Head and Foot Ends	1	1
9			Screw, Slotted Hex Head Tap (1/4-20 x 3/4")	1	6
10			Clamp, Cable, Steel (9/16")	1	6
11	D	1132539	Kit, Packaging - Head End	1	1
12			Carton, Headspring	1	1
13			Pad, Corner	1	2
			Label, Blank Carton	1	1
	F	1125306	Connector, Crossover	1	1
	F	026874	Cord, Power	1	1

NOTE: A - Includes: Items 2 and 3.  
B - Includes: Items 5, 6, and 7.  
C - Includes: Items 9 and 10.  
D - Includes: Items 12, 13, and Carton Label.  
E - This Motor Assembly has the longer cord.  
F - Not Shown.

# Head - Foot Spring - BAR600 (BAR5000 & BAR5490)

**NOTE:** Bed Ends with the "Woodgrain" finish are from the BAR600 group Manufactured "before 5/05." Bed Ends with the "Composite" finish are from the BAR600IVC group manufactured "after 2/05." Please check before ordering service parts.

**NOTE:** Due to the weight limitations associated with the Bariatric Bed, use the Bed Rail Mounting Bracket Kit attached to assemble the 6640 Half Bed Rail Side Adjustment Clamps.



## Head - Foot Spring - BAR600 (BAR5000 & BAR5490)

**NOTE:** Bed Ends with the "Woodgrain" finish are from the BAR600 group Manufactured "before 5/05."  
Bed Ends with the "Composite" finish are from the BAR600IVC group manufactured "after 2/05." Please  
check before ordering service parts.

**NOTE:** Due to the weight limitations associated with the Bariatric Bed, use the Bed Rail Mounting Bracket  
Kit attached to assemble the 6640 Half Bed Rail Side Adjustment Clamps.

Item Number	Note	Part Number	Description	Quantity Per	
				Package	Assembly
1		026623	Rivet (1/4")	1	26
2	A,C	1105473-NLA	Kit, Bed Rail Bracket Hardware	1	1
			Bolt, Round Hd Square Neck (5/16-18 x 1-1/4")	1	4
			Nut, Hex Lock (5/16-18)	1	6
			Spacer (5/16 x 3/4 x 1/2")	1	4
			Screw, Round Head Square Neck (5/16-18 x 2")	1	2
	A,B	56000M034	Screw, Round Head Square Neck (5/16-18 x 2")	1	2
	A,B	56000M033	Spacer (5/16 x 3/4 x 1/2")	1	4
3		54000M492-NLA	NLA - Guard, Motor (5-3/4" Tall)	1	4
4		53000M434	Locknut (5/16-18)	1	8
5		51000M912-NLA	NLA - Bolt, Shoulder (5/16-18 x 1")	1	4
6		56000M014-NLA	NLA - Pan Deck, Head/Foot Spring	1	2
7		56000M015-NLA	NLA - Pan Deck, Seat Section	1	1
8		56000M016-NLA	NLA - Pan Deck, Thigh Section	1	1
9		54000M641	Screw, Hex Head (5/16-18 x 1")	1	5
10		000194	Grommet, Pan Deck	1	8
11		54000M515	Screw, Slotted Hex Head Tap (1/4-20 x 3/4")	1	6
12		54000M493	Clamp, Cable, Steel (9/16")	1	2
13		54000M516	Spacer, Round (1/4 x 1/2 x 1/4")	1	2
14		5880M004	Crank, Emergency, Dark Brown	1	1
15		000037	NLA - Nut, Keps (5/16-18)	1	1
16	D	5600M018-NLA	NLA - Support, Frame with Attaching Hardware	1	2
17		5300M054	Mount, Motor	1	4
18		1125307	Motor, Head with Pull Tube and Hardware	1	1
19		5600M008	Motor, Foot with Pull Tube and Hardware	1	1
20		1132750	Kit, Hi/Lo Motor Assembly	1	1
			Motor, Hi/Lo with Bracket	1	1
			Screw, Slotted Hex Head Tap (1/4-20 x 3/4")	1	1
	B	52000M337-NLA	NLA - Kit, Coupling Replacement (Includes: Coupling, Spring, Roll Pin, and Instruction Sheet)	1	1
	H,J	51000M100	Compression Spring	1	1
	H,J	51000M976	Roll Pin (3/16" x 1")	1	2
	H,J	5880M043	Coupling Assembly	1	1
21	E	1104347-NLA	NLA - Junction Box, Full Electric with Instruction Sheet	1	1
21	F	1104343	Kit, Control/Junction Box, Full Electric, (6 Function) - US / Canadian Models, Low Voltage Square Plug	1	1



## Head - Foot Spring - BAR600 (BAR5000 & BAR5490)

**NOTE: Bed Ends with the "Woodgrain" finish are from the BAR600 group Manufactured "before 5/05." Bed Ends with the "Composite" finish are from the BAR600IVC group manufactured "after 2/05." Please check before ordering service parts.**

**NOTE: Due to the weight limitations associated with the Bariatric Bed, use the Bed Rail Mounting Bracket Kit attached to assemble the 6640 Half Bed Rail Side Adjustment Clamps.**

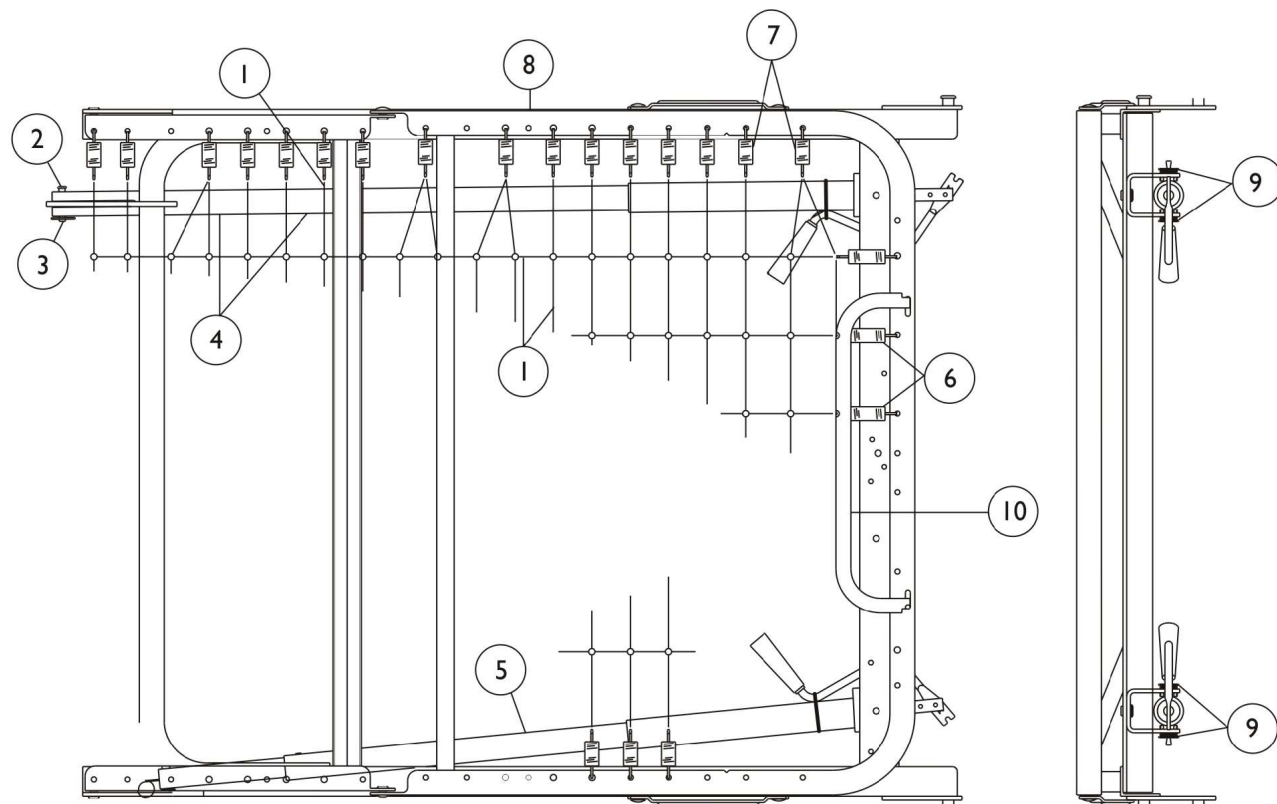
Item Number	Note	Part Number	Description	Quantity Per	
				Package	Assembly
22	G	54000M441	Clip, Pendant	1	1
	B	52000M316-NLA	NLA - Kit, Pendant Clip w/ Instruction Sheet	1	1
23		026874	Cord, Power	1	1
24		51000M562	Tie Wrap	1	6
22		53000M434	Locknut (5/16-18)	1	8
23		51000M912-NLA	NLA - Bolt, Shoulder (5/16-18 x 1")	1	4
25		56000M035-NLA	NLA - Connector, Crossover	1	1
26		7001M297	Pendant, Full Electric	1	1
27		026159	Stop, Mattress	1	1

NOTE: A - Spacer and Screw is also available individually.  
 B - Not Shown  
 C - Due to the weight limitations associated with the Bariatric Bed, use the Bed Rail Mounting Bracket Kit attached to assemble the 6640 Half Bed Rail Side Adjustment Clamps.  
 D - Two Frame Supports are needed per bed.  
 E - No longer available, use 1104343 as the replacement for this item.  
 F - Includes Junction Box and Installation instructions.  
 G - An instruction sheet (Part. No. 54000M181) for the Pendant Clips is available to download at [invacare.com](http://invacare.com) under "Product Literature Search" link.  
 H - Not shown. Use as replacements for Part Number 52000M337.  
 J - An instruction sheet (Part No. 54000M740) for the Coupling Replacement is available to download at [invacare.com](http://invacare.com) under the "Product Literature Search" link.

# Foot Springs - Manual (5770, 5772)

5770 discontinued 6/03

5772 discontinued 6/03

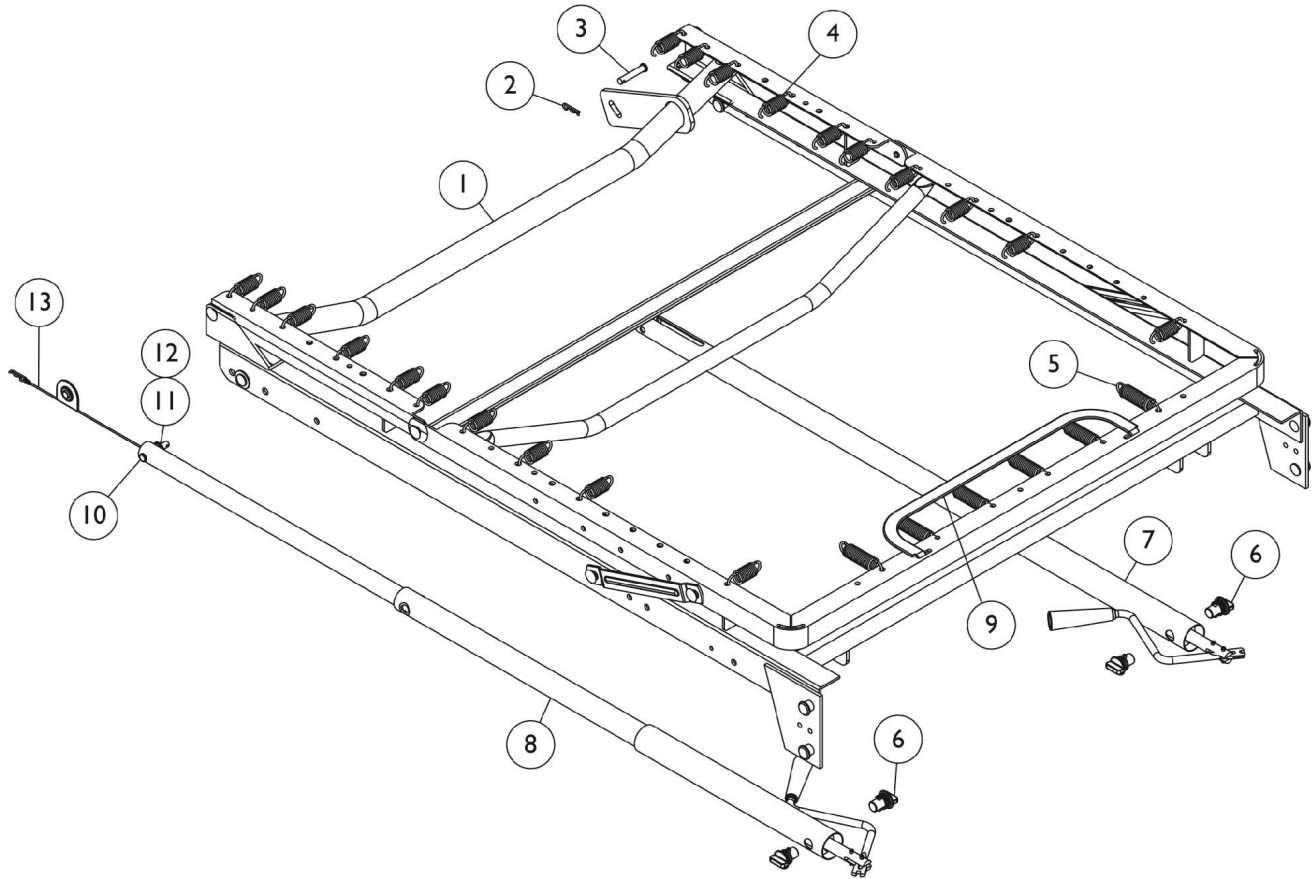


Item Number	Note	Part Number	Description	Quantity Per	
				Package	Assembly
1		51000M134	Fabric, Link - Foot Spring (19 x 7")	1	1
2		53000M957	Pin, Clevis (5/16 x 1-11/16")	1	1
3		51000M743	Pin, Hitch (3/8 x 1-3/16")	1	1
4	B	5510M008	Tube, Pull, Foot w/ Flattened End	1	1
5	B	5510M015	Tube, Pull, Head	1	1
6		51000M136	Spring, Helical (18 turns)	1	6
7		51000M135	Spring, Helical (11 turns)	1	34
8	C	5770M028	Frame, Foot Spring (w/o Fabric), Brown	1	1
8		5770M000	Frame, Foot Spring (w/ Fabric)	1	1
9		5300M054	Mount, Motor	1	4
10		026159	Stop, Mattress	1	1
	A	51000M013	Link, Center	1	6

NOTE: A - Not Shown.  
 B - For complete Pull Tube assembly, see section titled "Pull Tubes - 5770 & 5770IVC Manual Beds".  
 C - Part cannot be serviced in the field. Invacare uses a stretching machine to put the springs on.

Part number 5770M028 cannot be serviced in the field. Invacare uses a stretching machine to put the springs on.

# Foot Spring - Manual (5770IVC) (Manufactured after 3/03)



## Foot Spring - Manual (5770IVC) (Manufactured after 3/03)

Item Number	Note	Part Number	Description	Quantity Per	
				Package	Assembly
1	D	5770M028	Frame, Foot Spring (w/o Fabric), Brown	1	1
1		5770M000	Frame, Foot Spring (w/ Fabric)	1	1
2		51000M743	Pin, Hitch (3/8 x 1-3/16")	1	1
3		53000M957	Pin, Clevis (5/16 x 1-11/16")	1	1
4	C	51000M135	Spring, Helical (11 turns)	1	20
5		51000M136	Spring, Helical (18 turns)	1	6
6		5300M054	Mount, Motor	1	4
7	B	5510M008	Tube, Pull, Foot w/ Flattened End	1	1
8		5510M015	Tube, Pull, Head	1	1
9		026159	Stop, Mattress	1	1
10		53000M957	Pin, Clevis (5/16 x 1-11/16")	1	1
11		53000M446	Ring, Retaining	1	1
12		51000M765	Washer, Nylon (9/32 x 23/32 x 1/16")	1	1
13		5880M006	Lanyard with Hitch Pin Assembly	1	1
	A	51000M134	Fabric, Link - Foot Spring (19 x 7")	1	1
	A	1114836	Owner's Manual, IVC Beds - U.S.	1	1

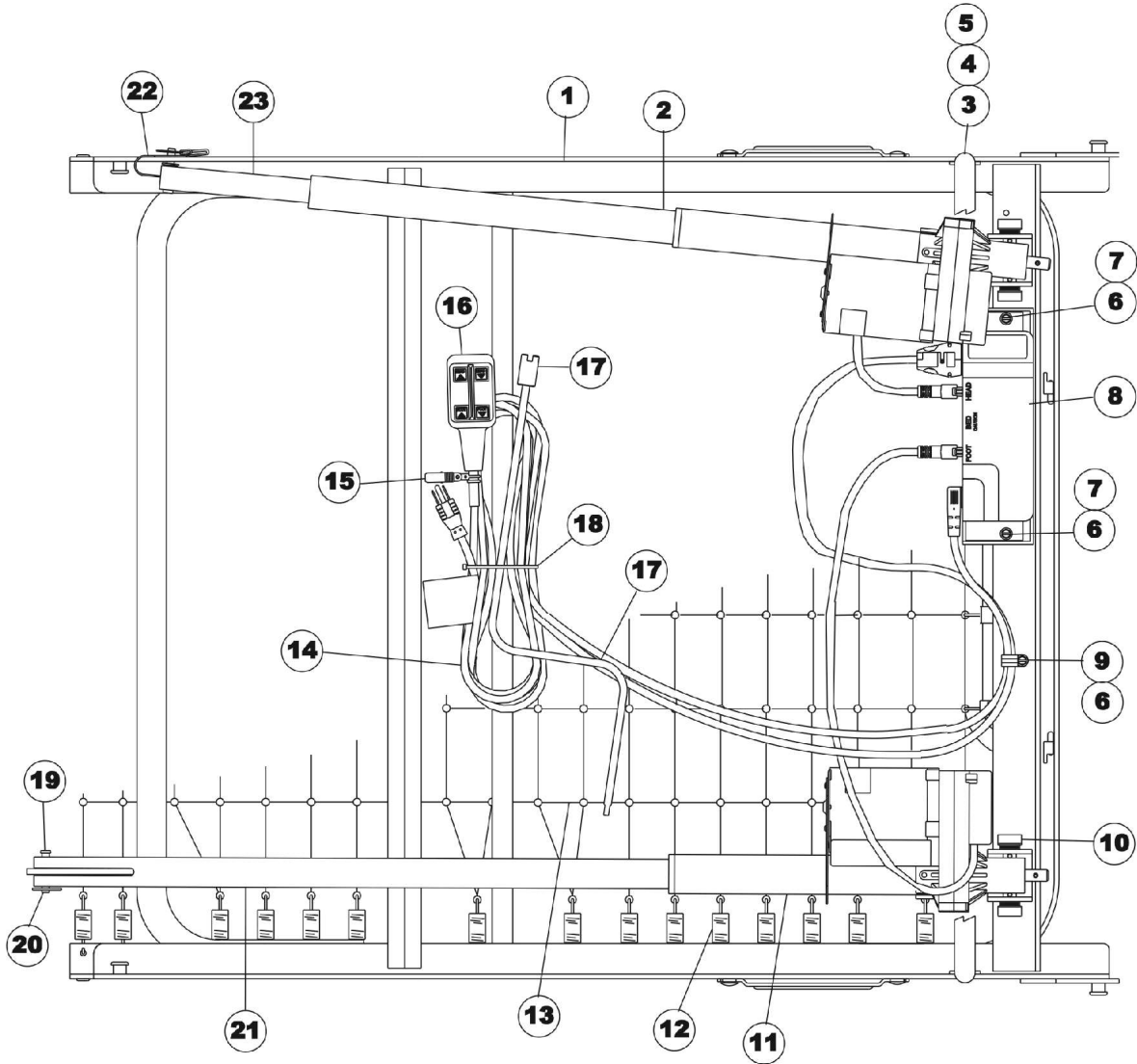
NOTE: A - Not Shown.  
 B - For complete Pull Tube assembly, see section titled "Pull Tubes - 5770 & 5770IVC Manual Beds".  
 C - As of 9/22/08 the number of 11 turn Helical Springs used is a quantity of 20 and is applicable to Foot Springs manufactured before 9/22/08 as well.  
 D - Part cannot be serviced in the field. Invacare uses a stretching machine to put the springs on.

Part number 5770M028 cannot be serviced in the field. Invacare uses a stretching machine to put the springs on.

# Foot Springs - Semi Electric (5890, 5891, 5892)

5891 discontinued 6/03

5892 discontinued 6/03



# Foot Springs - Semi Electric (5890, 5891, 5892)

5891 discontinued 6/03

5892 discontinued 6/03

Item Number	Note	Part Number	Description	Quantity Per	
				Package	Assembly
1	G	5770M028	Frame, Foot Spring (w/o Fabric), Brown	1	1
2	D	7001M300-NLA	NLA - Motor, Head	1	1
2	B,D	7001M327-NLA	NLA - Motor, Head	1	1
2	C,D	7001M324-NLA	NLA - Motor, Head (220V)	1	1
3		54000M492-NLA	NLA - Guard, Motor (5-3/4" Tall)	1	1
4		1168862	Screw, Hex Head Flanged (5/16-18 x 3/4")	1	2
5		000037	NLA - Nut, Keps (5/16-18)	1	2
6		54000M515	Screw, Slotted Hex Head Tap (1/4-20 x 3/4")	1	3
7		54000M516	Spacer, Round (1/4 x 1/2 x 1/4")	1	2
8		1104345-NLA	NLA - Control/Junction Box, Semi Electric (4 Function) - US/Canada Models, Low Voltage Square Plug	1	1
			Instruction Sheet, Junction Box	1	1
			Control Box/Junction Box - 4F	1	1
9		54000M493	Clamp, Cable, Steel (9/16")	1	1
10		5300M054	Mount, Motor	1	4
11	E	7001M305-NLA	NLA - Motor, Foot	1	1
11	B,E	7001M328-NLA	NLA - Motor, Foot	1	1
11	C,E	7001M325-NLA	NLA - Motor, Foot (220V)	1	1
12		51000M135	Spring, Helical (11 turns)	1	34
13		51000M134	Fabric, Link - Foot Spring (19 x 7")	1	1
14		1106019	Cord, Power with Ground Label - U.S./Canadian Models	1	1
14	C	54000M823-NLA	NLA - Cord, Power, International Models (5892/5492 only)	1	1
15	H	54000M441	Clip, Pendant	1	1
	A	52000M316-NLA	NLA - Kit, Pendant Clip w/ Instruction Sheet	1	1
16		7001M298	Pendant, 4-Way	1	1
17		5880M004	Crank, Emergency, Dark Brown	1	1
18		51000M562	Tie Wrap	1	1
19		53000M957	Pin, Clevis (5/16 x 1-11/16")	1	1
20		51000M743	Pin, Hitch (3/8 x 1-3/16")	1	1
21	E	53000M802-NLA	NLA - Pull Tube, Foot End	1	1
22	F	5880M006	Lanyard with Hitch Pin Assembly	1	1
23	D	5880M061	Tube, Pull, Head End Assembly	1	1
	A	51000M136	Spring, Helical (18 turns)	1	6
	A,B	54000M818-NLA	NLA - Bracket, Connector Lock-Out (5891/5491 only)	1	1
	A	51000M493-NLA	NLA - Owner's Manual, Homecare Beds - U.S.	1	1
	A,B	54000M776	Owner's Manual, French/Canadian	1	1
	A,C	54000M544-NLA	NLA - Owner's Manual, Homecare Beds - International	1	1
	A	026159	Stop, Mattress	1	1

# Foot Springs - Semi Electric (5890, 5891, 5892)

5891 discontinued 6/03

5892 discontinued 6/03

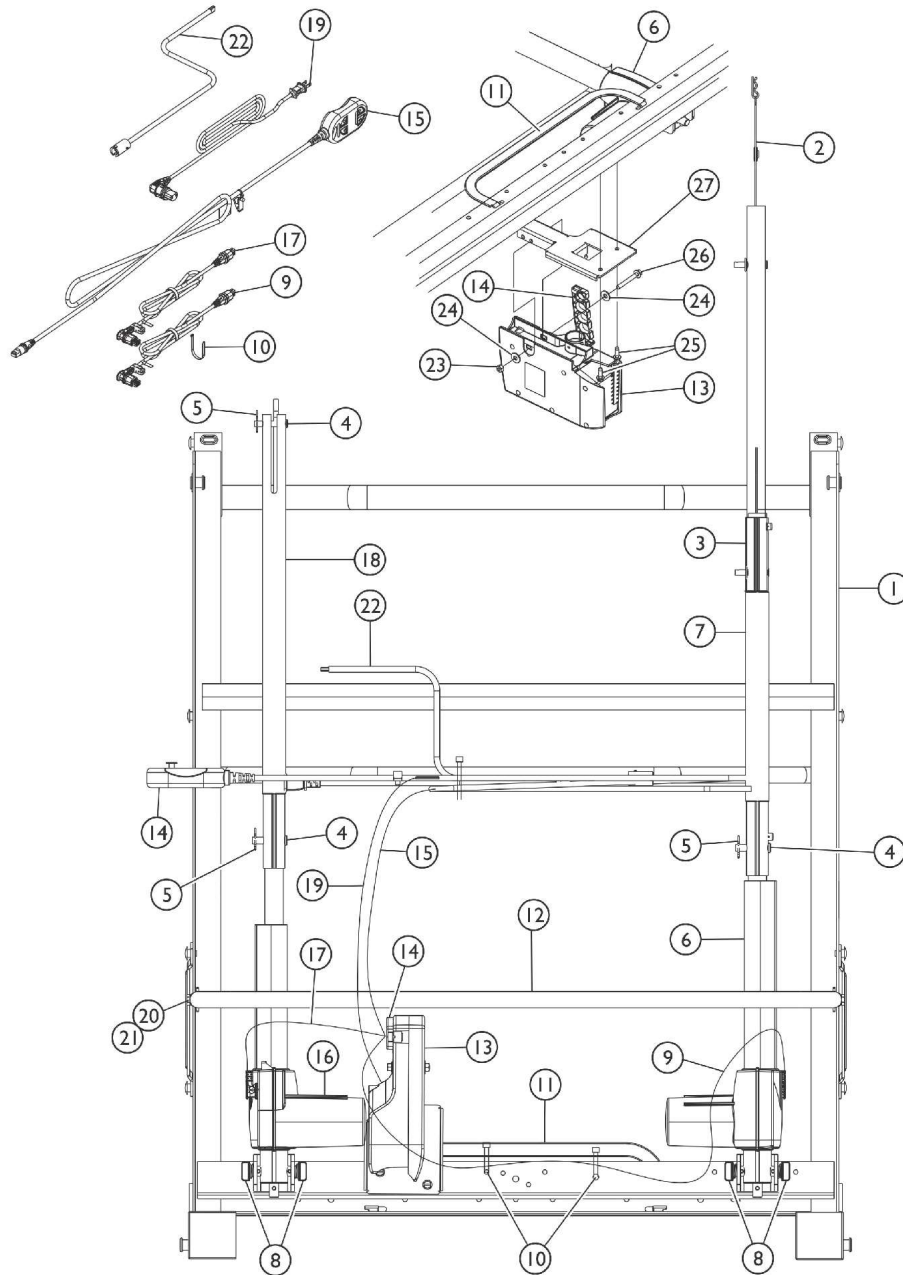
NOTE: A - Not Shown.  
B - Used on 5891 Canadian Model only.  
C - Used on 5892 International Model only.  
D - 5880M061 Head End Pull Tube is included when you order 7001M300 and/or 7001M327 Head Motor.  
E - 53000M802 Foot End Pull Tube is included when you order 7001M305 and/or 7001M328 Foot Motor.  
F - 5880M006 Lanyard w/Hitch Pin is included with 5880M061 Head End Pull Tube.  
G - Part cannot be serviced in the field. Invacare uses a stretching machine to put the springs on.  
H - An instruction sheet for the Pendant Clips (Part. No. 54000M181) is available to download at [invacare.com](http://invacare.com) under "Product Literature Search" link.

Part number 5770M028 cannot be serviced in the field. Invacare uses a stretching machine to put the springs on.

# Foot Spring - Semi Electric 5890IVC & 5891IVC

Part number 5770M028 cannot be serviced in the field. Invacare uses a stretching machine to put the springs on.

Drawing shows detailed view of frame from beneath the bed.





## Foot Spring - Semi Electric 5890IVC & 5891IVC

Part number 5770M028 cannot be serviced in the field. Invacare uses a stretching machine to put the springs on.

Item Number	Note	Part Number	Description	Quantity Per	
				Package	Assembly
1	Q	5770M028	Frame, Foot Spring (w/o Fabric), Brown	1	1
1		5770M000	Frame, Foot Spring (w/ Fabric)	1	1
2		5880M006	Lanyard with Hitch Pin Assembly	1	1
3	H	1122827	Tube, Pull, Head End Assembly	1	1
4		53000M957	Pin, Clevis (5/16 x 1-11/16")	1	2
5		51000M743	Pin, Hitch (3/8 x 1-3/16")	1	4
6	J	1121270	Kit, Head Motor Assembly	1	1
			Motor, Head with Pull Tube	1	1
			Instruction Sheet, Motor Head Assembly	1	1
7	M	1115561	Tube, Pull, Motor Head - Outer	1	1
8		5300M054	Mount, Motor	1	4
9		1116641	Cable, Head Actuator w/ Blue O-Ring	1	1
10		51000M562	Tie Wrap	1	1
11		026159	Stop, Mattress	1	1
12	O	1121172	Guard, Motor	1	1
12	P	1161264-NLA	NLA - Kit, Motor Guard	1	1
12			NLA - Guard, Motor (5-3/4" Tall)	1	1
20			Screw, Hex Head Flanged (5/16-18 x 3/4")	1	2
21			NLA - Nut, Keps (5/16-18)	1	2
			Instruction Sheet, Motor Guard Kit	1	1
13	B,E	1117177	Controller/Junction Box, 2 Function with Label	1	1
13	C,E	1119166	Controller/Junction Box, 2 Function - French/Canadian	1	1
14		1116655	Lock, Cable	1	1
15	B	1115288	Pendant, 2 Function	1	1
15	C,G	1119170	Pendant, 2 Function - Canadian	1	1
16	F,I	1116644	Motor, Foot with Pull Tube	1	1
17		1116642	Cable, Foot Actuator w/ Yellow O-Ring	1	1
18		1115557	Tube, Pull, Motor Foot	1	1
19		1128179	Cord, Power	1	1
20		1168862	Screw, Hex Head Flanged (5/16-18 x 3/4")	1	2
21		000037	NLA - Nut, Keps (5/16-18)	1	2
22		5880M004	Crank, Emergency, Dark Brown	1	1
23		15108X000	Locknut (1/4-20)	1	1
24		007478	Washer (13/32 x 13/16 x 1/16)	1	2
25		54000M515	Screw, Slotted Hex Head Tap (1/4-20 x 3/4")	1	2
26		54000M179	Screw, Hex Head (1/4-20 x 2")	1	1
27		1127718	Bracket, Control Box Mounting	1	1
	A,N	51000M135	Spring, Helical (11 turns)	1	20
	A	51000M136	Spring, Helical (18 turns)	1	6

# Foot Spring - Semi Electric 5890IVC & 5891IVC

**Part number 5770M028 cannot be serviced in the field. Invacare uses a stretching machine to put the springs on.**

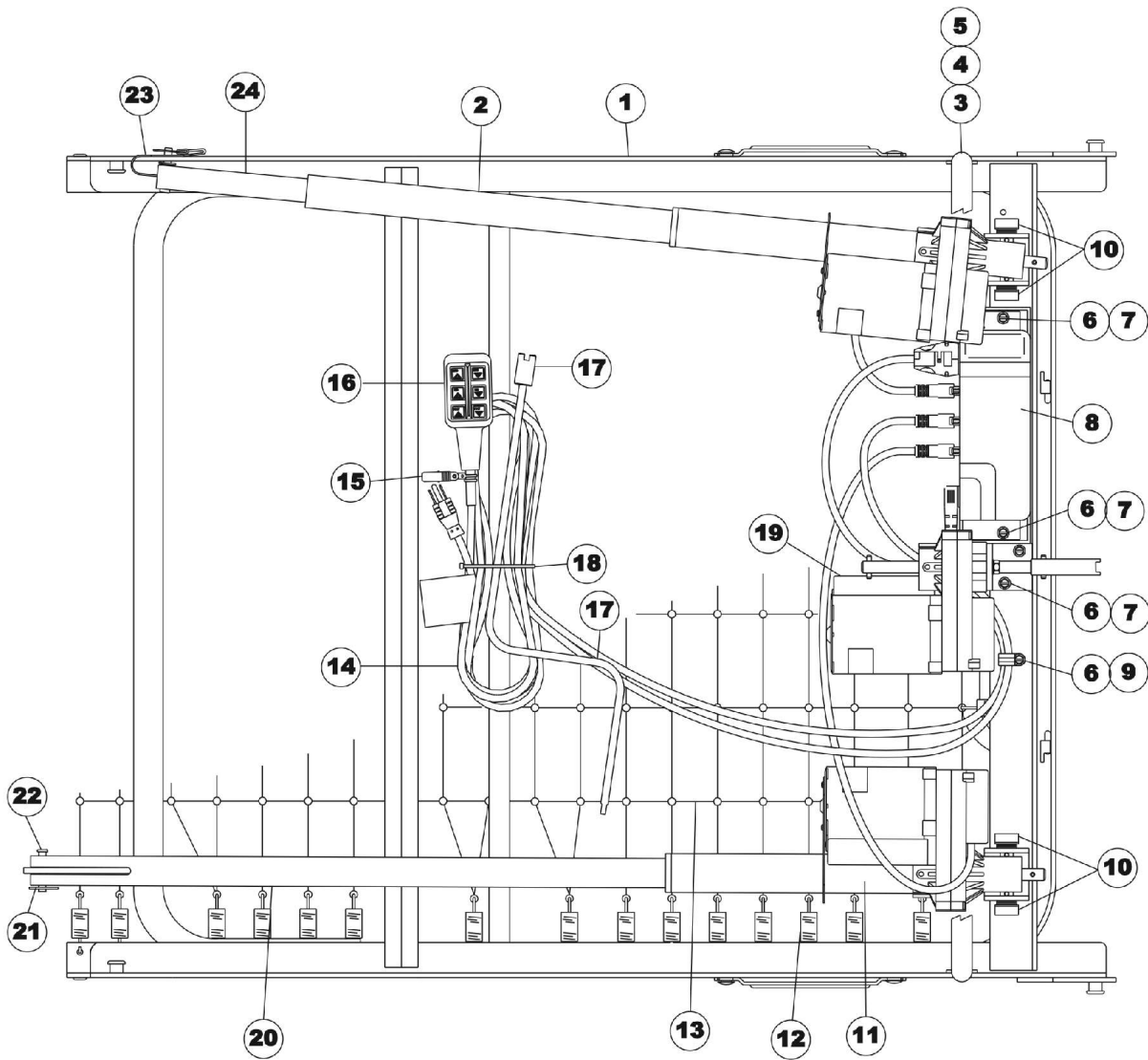
Item Number	Note	Part Number	Description	Quantity Per	
				Package	Assembly
	A	51000M134	Fabric, Link - Foot Spring (19 x 7")	1	1
	A,R	54000M441	Clip, Pendant	1	1
	A	52000M316-NLA	NLA - Kit, Pendant Clip w/ Instruction Sheet	1	1
	A,D	026975-NLA	NLA - Clip, Pendant - Plastic "C"	1	1
	A,B	1114836	Owner's Manual, IVC Beds - U.S.	1	1
	A,C	1118372	Owner's Manual, IVC Beds - French/Canadian	1	1
	A,K,L	1127719	Kit, Control/Junction Box Mounting Bracket	1	1
	A	1111018	Decal, 450 LB Weight Capacity	1	1

NOTE: A - Not Shown.  
 B - US Models Only  
 C - Canadian Models Only.  
 D - Accessory Item - Does not come with assembly.  
 E - This item is separate from the Foot Motor and Clip-Lock. When Having these items serviced, please disconnect parts from one another.  
 F - This item is separate from the Controller and Clip-Lock. When Having these items serviced, please disconnect parts from one another.  
 G - The Pendant is sold as one unit - the cord "extension" is not sold separately.  
 H - Includes: Item 2.  
 I - Includes: Items 4, 5, and 18.  
 J - Includes: Items 2, 3, 4, 5, and 6.  
 K - Includes: Items 22, 23, 24, 25, and 26.  
 L - The Control/Junction Box location was moved from being attached to the Foot Motor to attached to the Bed Frame 6/30/04. If your Bed was manufactured before 6/30/04, please order the Control/Junction Box Mounting Kit for proper installation.  
 M - This is an individual part, please see item #6 for the complete assembly.  
 N - As of 9/22/08 the number of 11 turn Helical Springs used is a quantity of 20 and is applicable to Foot Springs manufactured before 9/22/08 as well.  
 O - Before 5/18/09  
 P - After 5/17/09. The motor support bracket was relocated from the motor guard to the foot frame assembly. This improves alignment of the head motor shaft and pull tube assembly when attached to the head section lift arm.  
 Q - Part cannot be serviced in the field. Invacare uses a stretching machine to put the springs on.  
 R - An instruction sheet for the Pendant Clips (Part. No. 54000M181) is available to download at [invacare.com](http://invacare.com) under "Product Literature Search" link.

# Foot Spring - Full Electric

## 5491

discontinued 6/03



# Foot Spring - Full Electric 5491

discontinued 6/03

Item Number	Note	Part Number	Description	Quantity Per	
				Package	Assembly
1	D	5770M028	Frame, Foot Spring (w/o Fabric), Brown	1	1
1		5770M000	Frame, Foot Spring (w/ Fabric)	1	1
2		7001M327-NLA	NLA - Motor, Head	1	1
3		54000M492-NLA	NLA - Guard, Motor (5-3/4" Tall)	1	1
4		54000M641	Screw, Hex Head (5/16-18 x 1")	1	2
5		53000M434	Locknut (5/16-18)	1	2
6		54000M515	Screw, Slotted Hex Head Tap (1/4-20 x 3/4")	1	3
7		54000M516	Spacer, Round (1/4 x 1/2 x 1/4")	1	2
8	E	1104343	Kit, Control/Junction Box, Full Electric, (6 Function) - US / Canadian Models, Low Voltage Square Plug	1	1
9		54000M493	Clamp, Cable, Steel (9/16")	1	1
10		5300M054	Mount, Motor	1	4
11		7001M328	NLA - Motor, Foot	1	1
12		51000M135	Spring, Helical (11 turns)	1	34
13		51000M134	Fabric, Link - Foot Spring (19 x 7")	1	1
14		1106019	Cord, Power with Ground Label - U.S./Canadian Models	1	1
15	F	54000M441	Clip, Pendant	1	1
	A	52000M316-NLA	NLA - Kit, Pendant Clip w/ Instruction Sheet	1	1
16		7001M297	Pendant, Full Electric	1	1
17		5880M004	Crank, Emergency, Dark Brown	1	1
18		51000M562	Tie Wrap	1	1
19		7001M329	Motor, Hi/Lo	1	1
20	B	53000M802-NLA	NLA - Pull Tube, Foot End	1	1
21		51000M743	Pin, Hitch (3/8 x 1-3/16")	1	1
22		53000M957	Pin, Clevis (5/16 x 1-11/16")	1	1
23		5880M006	Lanyard with Hitch Pin Assembly	1	1
24	C	5880M061	Tube, Pull, Head End Assembly	1	1
	A	51000M136	Spring, Helical (18 turns)	1	6
	A	54000M776	Owner's Manual, French/Canadian	1	1
	A	026159	Stop, Mattress	1	1
	A	52000M337-NLA	NLA - Kit, Coupling Replacement (Includes: Coupling, Spring, Roll Pin, and Instruction Sheet)	1	1
	G,H	51000M100	Compression Spring	1	1
	G,H	51000M976	Roll Pin (3/16" x 1")	1	2
	G,H	5880M043	Coupling Assembly	1	1

# Foot Spring - Full Electric 5491

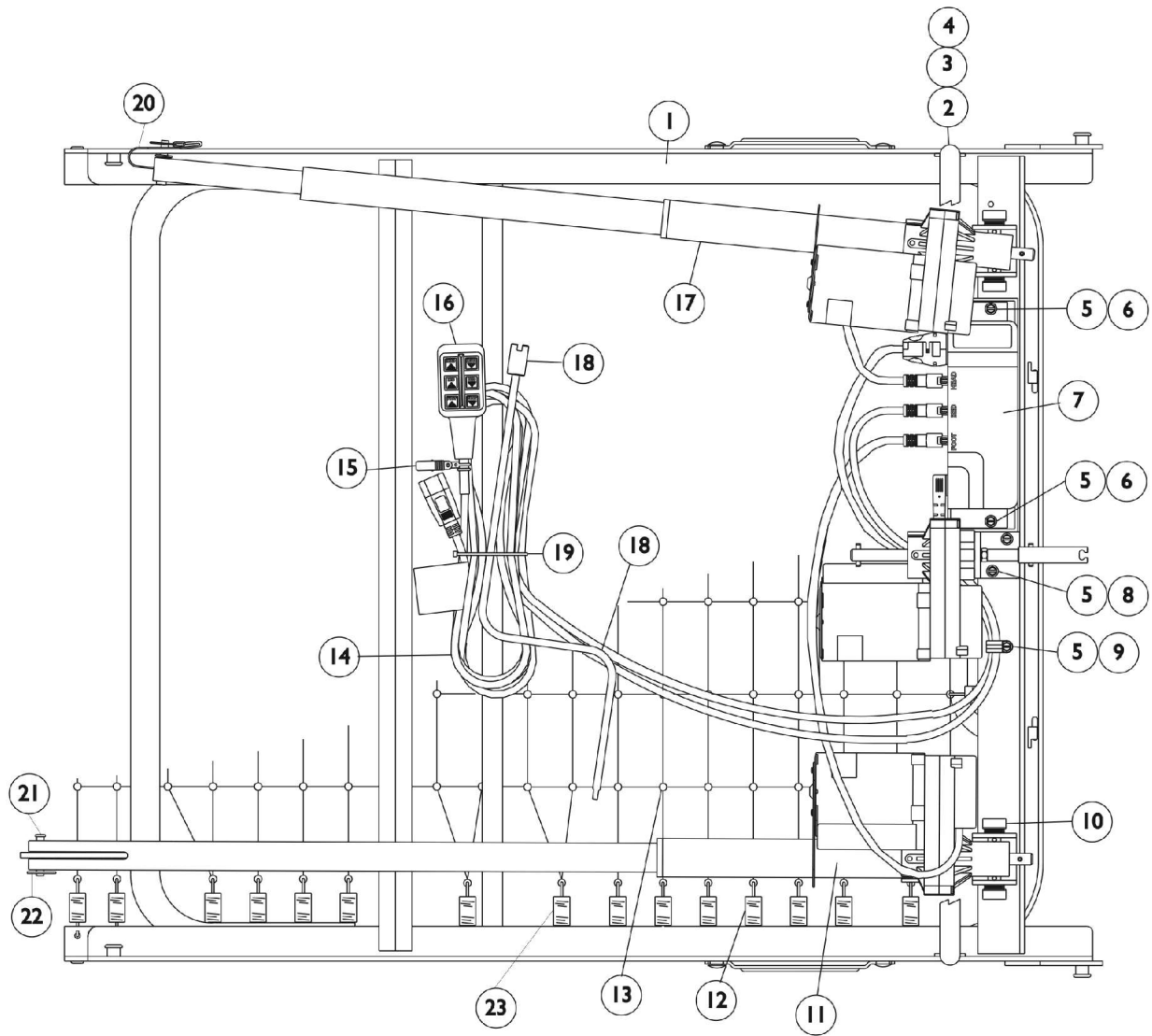
discontinued 6/03

NOTE: A - Not Shown.  
B - This part is included with Item 11.  
C - This part is included with Item 2.  
D - Part cannot be serviced in the field. Invacare uses a stretching machine to put the springs on.  
E - Includes Junction Box and installation instructions.  
F - An instruction sheet (Part. No. 54000M181) for the Pendant Clips is available to download at [invacare.com](http://invacare.com) under "Product Literature Search" link.  
G - Not Shown in Illustration. Used to replace Part Number 52000M337.  
H - An instruction sheet (Part No. 54000M740) for the Coupling Replacement is available to download at [invacare.com](http://invacare.com) under the "Product Literature Search" link.

Part number cannot be serviced in the field. Invacare uses a stretching machine to put the springs on.

# Foot Spring - Full Electric 5492

discontinued 6/03



# Foot Spring - Full Electric 5492

discontinued 6/03

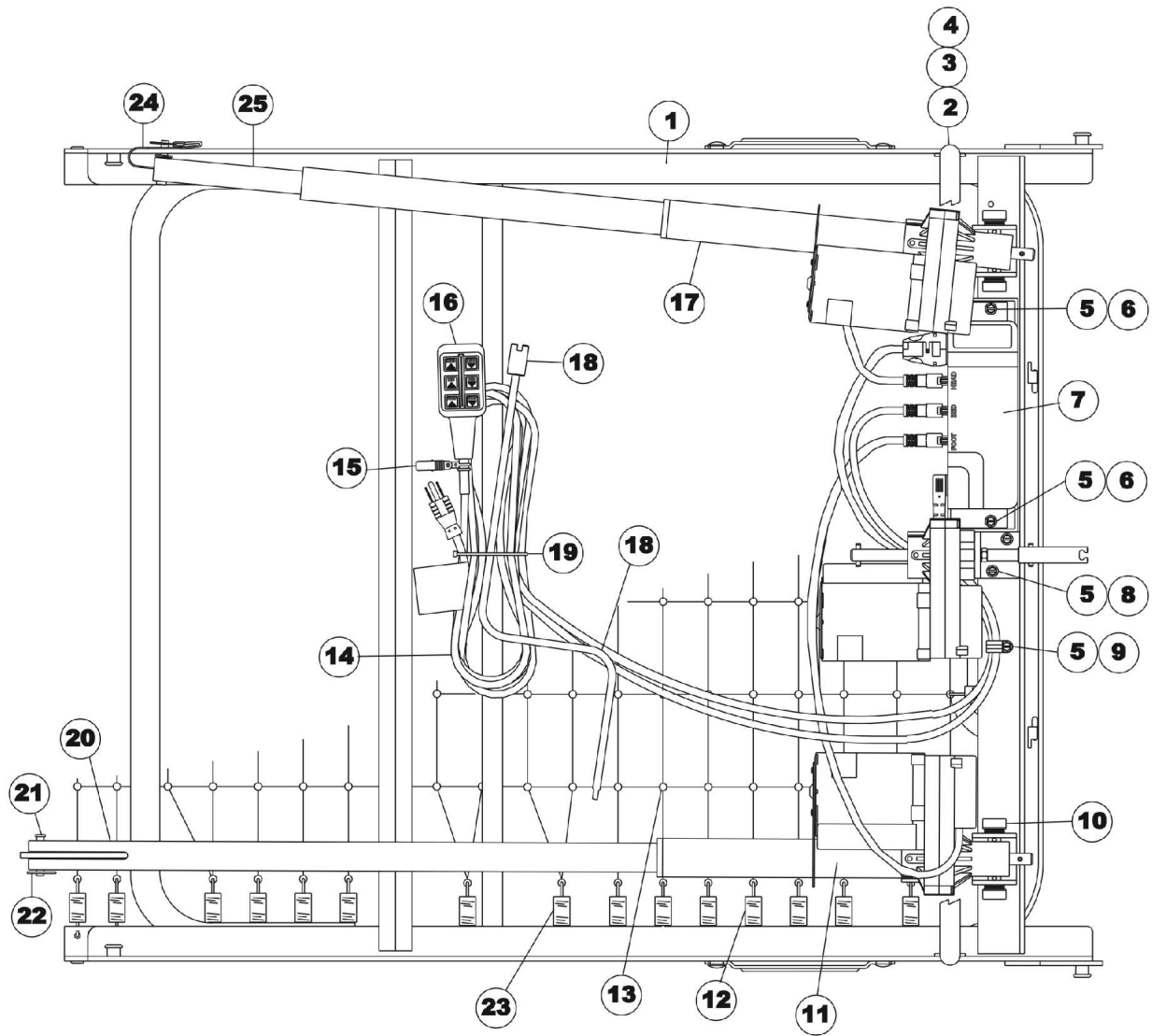
Item Number	Note	Part Number	Description	Quantity Per	
				Package	Assembly
1	B	5770M028	Frame, Foot Spring (w/o Fabric), Brown	1	1
1		5770M000	Frame, Foot Spring (w/ Fabric)	1	1
2		54000M492-NLA	NLA - Guard, Motor (5-3/4" Tall)	1	1
3		54000M641	Screw, Hex Head (5/16-18 x 1")	1	2
4		53000M434	Locknut (5/16-18)	1	2
5		54000M515	Screw, Slotted Hex Head Tap (1/4-20 x 3/4")	1	5
6		54000M516	Spacer, Round (1/4 x 1/2 x 1/4")	1	2
7		1102549	Controller/Junction Box - 6 Function - 220V	1	1
8		7001M326-NLA	NLA - Motor, Hi/Lo (220V)	1	1
	A	52000M337-NLA	NLA - Kit, Coupling Replacement (Includes: Coupling, Spring, Roll Pin, and Instruction Sheet)	1	1
	D,E	51000M100	Compression Spring	1	1
	D,E	51000M976	Roll Pin (3/16" x 1")	1	2
	D,E	5880M043	Coupling Assembly	1	1
9		54000M493	Clamp, Cable, Steel (9/16")	1	1
10		5300M054	Mount, Motor	1	4
11		7001M325-NLA	NLA - Motor, Foot (220V)	1	1
12		51000M135	Spring, Helical (11 turns)	1	34
13		51000M134	Fabric, Link - Foot Spring (19 x 7")	1	1
14		54000M823-NLA	NLA - Cord, Power, International Models (5892/5492 only)	1	1
15	C	54000M441	Clip, Pendant	1	1
	A	52000M316-NLA	NLA - Kit, Pendant Clip w/ Instruction Sheet	1	1
16		7001M297	Pendant, Full Electric	1	1
17		7001M324-NLA	NLA - Motor, Head (220V)	1	1
18		5880M004	Crank, Emergency, Dark Brown	1	1
19		51000M562	Tie Wrap	1	1
20		5880M006	Lanyard with Hitch Pin Assembly	1	1
21		53000M957	Pin, Clevis (5/16 x 1-11/16")	1	1
22		51000M743	Pin, Hitch (3/8 x 1-3/16")	1	1
23		51000M136	Spring, Helical (18 turns)	1	6
	A	54000M544-NLA	NLA - Owner's Manual, Homecare Beds - International	1	1
	A	026159	Stop, Mattress	1	1

NOTE: A - Not Shown.  
 B - Part cannot be serviced in the field. Invacare uses a stretching machine to put the springs on.  
 C - An instruction sheet (Part. No. 54000M181) for the Pendant Clips is available to download at [invacare.com](http://invacare.com) under "Product Literature Search" link.  
 D - Not shown in illustration. Used to replace Part Number 52000M337.  
 E - An instruction sheet (Part No. 54000M740) for the Coupling Replacement is available to download at [invacare.com](http://invacare.com) under the "Product Literature Search" link.

Part number 5770M028 cannot be serviced in the field. Invacare uses a stretching machine to put the springs on.

# Foot Spring - Full Electric 5490

discontinued 6/03





# Foot Spring - Full Electric 5490

discontinued 6/03

Item Number	Note	Part Number	Description	Quantity Per	
				Package	Assembly
1	D	5770M028	Frame, Foot Spring (w/o Fabric), Brown	1	1
1		5770M000	Frame, Foot Spring (w/ Fabric)	1	1
2		54000M492-NLA	NLA - Guard, Motor (5-3/4" Tall)	1	1
3		1168862	Screw, Hex Head Flanged (5/16-18 x 3/4")	1	2
4		000037	NLA - Nut, Keps (5/16-18)	1	2
5		54000M515	Screw, Slotted Hex Head Tap (1/4-20 x 3/4")	1	5
6		54000M516	Spacer, Round (1/4 x 1/2 x 1/4")	1	2
7	E	1104343	Kit, Control/Junction Box, Full Electric, (6 Function) - US / Canadian Models, Low Voltage Square Plug	1	1
8		7001M308-NLA	NLA - Motor, Hi/Lo with Bracket Assembly	1	1
	A	52000M337-NLA	NLA - Kit, Coupling Replacement (Includes: Coupling, Spring, Roll Pin, and Instruction Sheet)	1	1
	G,H	51000M100	Compression Spring	1	1
	G,H	51000M976	Roll Pin (3/16" x 1")	1	2
	G,H	5880M043	Coupling Assembly	1	1
9		54000M493	Clamp, Cable, Steel (9/16")	1	1
10		5300M054	Mount, Motor	1	4
11		7001M305-NLA	NLA - Motor, Foot	1	1
12		51000M135	Spring, Helical (11 turns)	1	34
13		51000M134	Fabric, Link - Foot Spring (19 x 7")	1	1
14		1106019	Cord, Power with Ground Label - U.S./Canadian Models	1	1
15	F	54000M441	Clip, Pendant	1	1
	A	52000M316-NLA	NLA - Kit, Pendant Clip w/ Instruction Sheet	1	1
16		7001M297	Pendant, Full Electric	1	1
17		7001M300-NLA	NLA - Motor, Head	1	1
18		5880M004	Crank, Emergency, Dark Brown	1	1
19		51000M562	Tie Wrap	1	1
20	B	53000M802-NLA	NLA - Pull Tube, Foot End	1	1
21		53000M957	Pin, Clevis (5/16 x 1-11/16")	1	1
22		51000M743	Pin, Hitch (3/8 x 1-3/16")	1	1
23		51000M136	Spring, Helical (18 turns)	1	6
24		5880M006	Lanyard with Hitch Pin Assembly	1	1
25	C	5880M061	Tube, Pull, Head End Assembly	1	1
	A	51000M493-NLA	NLA - Owner's Manual, Homecare Beds - U.S.	1	1
	A	026159	Stop, Mattress	1	1

# Foot Spring - Full Electric 5490

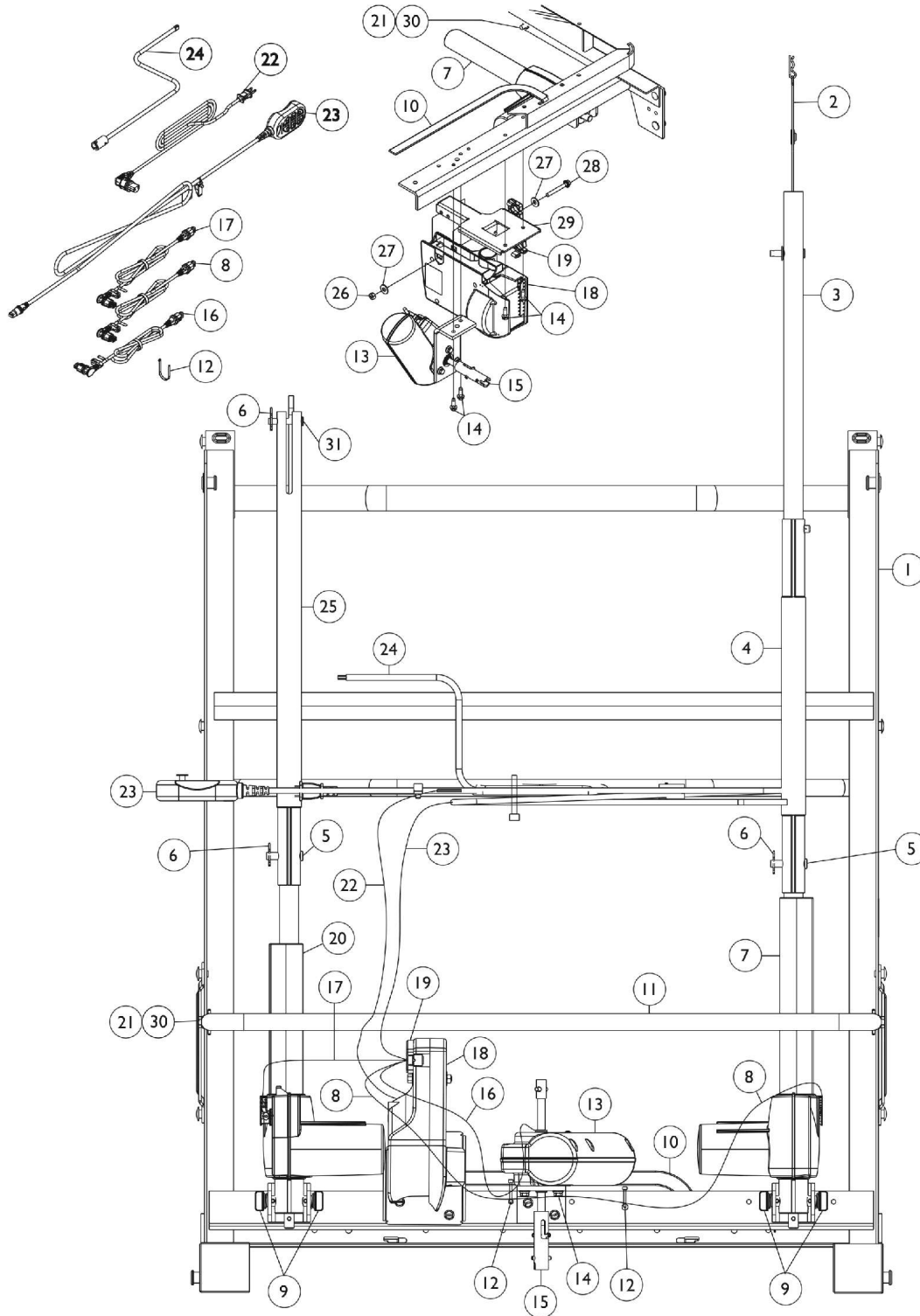
discontinued 6/03

NOTE: A - Not Shown.  
B - This part is included in Item # 11.  
C - This part is included in Item # 17.  
D - Part cannot be serviced in the field. Invacare uses a stretching machine to put the springs on.  
E - Includes Junction Box and installation instructions.  
F - An instruction sheet (Part. No. 54000M181) for the Pendant Clips is available to download at [invacare.com](http://invacare.com) under "Product Literature Search" link.  
G - Not shown in illustration. Used to replace Part Number 52000M337.  
H - An instruction sheet (Part No. 54000M740) for the Coupling Replacement is available to download at [invacare.com](http://invacare.com) under the "Product Literature Search" link.

Part number 5770M028 cannot be serviced in the field. Invacare uses a stretching machine to put the springs on.

# Foot Spring - Full Electric 5490IVC & 5491IVC

Drawing shows detailed view of frame from beneath the bed.



## Foot Spring - Full Electric 5490IVC & 5491IVC

Item Number	Note	Part Number	Description	Quantity Per	
				Package	Assembly
1	R	5770M028	Frame, Foot Spring (w/o Fabric), Brown	1	1
1		5770M000	Frame, Foot Spring (w/ Fabric)	1	1
2		5880M006	Lanyard with Hitch Pin Assembly	1	1
3	L	1122827	Tube, Pull, Head End Assembly	1	1
4	J	1115561	Tube, Pull, Motor Head - Outer	1	1
5		026976	Pin, Clevis (3/8 x 1-3/4")	1	2
6		51000M743	Pin, Hitch (3/8 x 1-3/16")	1	3
7	G	1121270	Kit, Head Motor Assembly	1	1
			Motor, Head with Pull Tube	1	1
			Instruction Sheet, Motor Head Assembly	1	1
8		1116641	Cable, Head Actuator w/ Blue O-Ring	1	1
9		5300M054	Mount, Motor	1	4
10		026159	Stop, Mattress	1	1
11	P	1121172	Guard, Motor	1	1
11	Q	1161264-NLA	NLA - Kit, Motor Guard	1	1
11			NLA - Guard, Motor (5-3/4" Tall)	1	1
21			Screw, Hex Head Flanged (5/16-18 x 3/4")	1	2
30			NLA - Nut, Keps (5/16-18)	1	2
			Instruction Sheet, Motor Guard Kit	1	1
12		51000M562	Tie Wrap	1	3
13		1116653	Motor, Hi/Lo with Bracket	1	1
14		54000M515	Screw, Slotted Hex Head Tap (1/4-20 x 3/4")	1	4
15		52000M337-NLA	NLA - Kit, Coupling Replacement (Includes: Coupling, Spring, Roll Pin, and Instruction Sheet)	1	1
	S,T	51000M100	Compression Spring	1	1
	S,T	51000M976	Roll Pin (3/16" x 1")	1	2
	S,T	5880M043	Coupling Assembly	1	1
16		1116640	Cable, Hi-Lo Motor w/ Red O-Ring (Head End)	1	1
17		1116642	Cable, Foot Actuator w/ Yellow O-Ring	1	1
18	B,E	1117178	Controller/Junction Box, 3 Function	1	1
18	C,E	1119167	Controller/Junction Box, 3 Function - Canadian	1	1
19		1116655	Lock, Cable	1	1
20	F,H	1116644	Motor, Foot with Pull Tube	1	1
21		1168862	Screw, Hex Head Flanged (5/16-18 x 3/4")	1	2
22		1128179	Cord, Power	1	1
23	B	1115290	Pendant, 3 Function	1	1
23	C	1119171	Pendant, 3 Function - Canadian	1	1
24		5880M004	Crank, Emergency, Dark Brown	1	1
25	I	1115557	Tube, Pull, Motor Foot	1	1
26		15108X000	Locknut (1/4-20)	1	1
27		007478	Washer (13/32 x 13/16 x 1/16)	1	2
28		54000M179	Screw, Hex Head (1/4-20 x 2")	1	1

## Foot Spring - Full Electric 5490IVC & 5491IVC

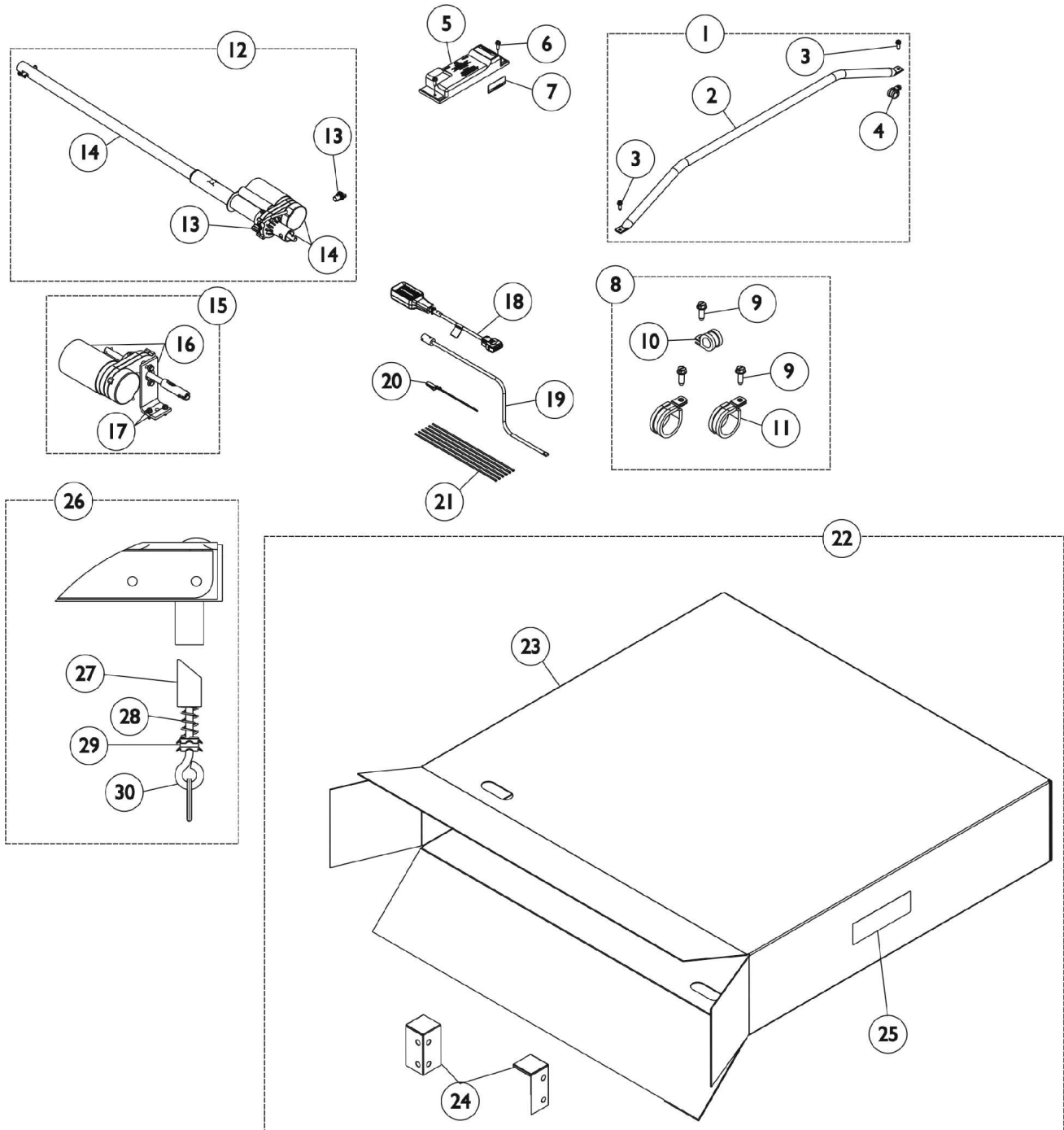
Item Number	Note	Part Number	Description	Quantity Per	
				Package	Assembly
29		1127718	Bracket, Control Box Mounting	1	1
30		000037	NLA - Nut, Keps (5/16-18)	1	2
31		53000M957	Pin, Clevis (5/16 x 1-11/16")	1	1
	A,M,N	1127719	Kit, Control/Junction Box Mounting Bracket	1	1
	A	51000M134	Fabric, Link - Foot Spring (19 x 7")	1	1
	A	51000M136	Spring, Helical (18 turns)	1	6
	A,O	51000M135	Spring, Helical (11 turns)	1	20
	A,K	1123977-NLA	NLA - Cable Tie	1	1
	A,B	1114836	Owner's Manual, IVC Beds - U.S.	1	1
	A,C	1118372	Owner's Manual, IVC Beds - French/Canadian	1	1
	A,D	026975-NLA	NLA - Clip, Pendant - Plastic "C"	1	1
	A	1111018	Decal, 450 LB Weight Capacity	1	1

NOTE: A - Not Shown.  
 B - US Models Only.  
 C - Canadian Models Only.  
 D - Accessory Item, Does not come with the Assembly.  
 E - This item is separate from the Foot Motor and Clip-Lock. When Having these items serviced, please disconnect parts from one another.  
 F - This item is separate from the Controller and Clip-Lock. When Having these items serviced, please disconnect parts from one another.  
 G - Includes: Items 3-6.  
 H - Includes: Items 5-6, 25, and 31.  
 I - This is an individual part, please see item #20 for the complete assembly.  
 J - This is an individual part, please see item #7 for the complete assembly.  
 K - Used for Controller/Junction Box.  
 L - Includes: Item #2.  
 M - The Control/Junction Box location was moved from being attached to the Foot Motor to attached to the Bed Frame 6/30/04. If your Bed was manufactured before 6/30/04, please order the Control/Junction Box Mounting Kit for proper installation.  
 N - Includes: Items 14, and 26-29.  
 O - As of 9/22/08 the number of 11 turn Helical Springs used is a quantity of 20 and is applicable to Foot Springs manufactured before 9/22/08 as well.  
 P - Before 5/18/09  
 Q - After 5/17/09. The motor support bracket was relocated from the motor guard to the foot frame assembly. This improves alignment of the head motor shaft and pull tube assembly when attached to the head section lift arm.  
 R - Part cannot be serviced in the field. Invacare uses a stretching machine to put the springs on.  
 S - Not shown in illustration. Used to replace Item 15 (52000M337).  
 T - An instruction sheet (Part No. 54000M740) for the Coupling Replacement is available to download at [invacare.com](http://invacare.com) under the "Product Literature Search" link.

Part number 5770M028 cannot be serviced in the field. Invacare uses a stretching machine to put the springs on.

# Foot Spring - Full Electric (BAR5490IVC)

NOTE: Bed Ends with the "Woodgrain" finish are from the BAR600 group Manufactured "before 5/05."  
Bed Ends with the "Composite" finish are from the BAR600IVC group manufactured "after 2/05." Please  
check before ordering service parts.



## Foot Spring - Full Electric (BAR5490IVC)

**NOTE: Bed Ends with the "Woodgrain" finish are from the BAR600 group Manufactured "before 5/05."  
Bed Ends with the "Composite" finish are from the BAR600IVC group manufactured "after 2/05." Please  
check before ordering service parts.**

Item Number	Note	Part Number	Description	Quantity Per	
				Package	Assembly
1	A	1132527	Kit, Motor Guard Replacement - Foot End	1	1
2			Guard, Motor	1	1
3			Screw, Slotted Hex Head Tap (1/4-20 x 3/4")	1	2
4			Clamp, Cable, Steel (9/16")	1	1
5	I	1106398-NLA	NLA - Control/Junction Box, Full Electric, (6 Function)	1	1
5		1104343	Kit, Control/Junction Box, Full Electric, (6 Function) - US / Canadian Models, Low Voltage Square Plug	1	1
6		54000M515	Screw, Slotted Hex Head Tap (1/4-20 x 3/4")	1	2
7		1108103	Label, Warning, Control/Junction Box	1	1
8	B	1132529	Kit, Cable Clamp w/ Hardware, Both Head and Foot Ends	1	1
9			Screw, Slotted Hex Head Tap (1/4-20 x 3/4")	1	5
10			Clamp, Cable, Steel (9/16")	1	2
11			Clamp, Cable, Steel (9/16")	1	3
12	C	1132532-NLA	NLA - Kit, Foot Motor Assembly	1	1
13			Mount, Motor	1	2
14			Motor, Foot with Pull Tube and Hardware	1	1
13		5300M054	Mount, Motor	1	1
14		5600M008	Motor, Foot with Pull Tube and Hardware	1	1
15	D	1132750	Kit, Hi/Lo Motor Assembly	1	1
16			Motor, Hi/Lo with Bracket	1	1
17			Screw, Slotted Hex Head Tap (1/4-20 x 3/4")	1	1
18		7001M297	Pendant, Full Electric	1	1
19		5880M004	Crank, Emergency, Dark Brown	1	1
20	H	54000M441	Clip, Pendant	1	1
	G	52000M316-NLA	NLA - Kit, Pendant Clip w/ Instruction Sheet	1	1
21		51000M562	Tie Wrap	1	6
22	E	1132540	Kit, Packaging - Foot End	1	1
23			Carton, Footspring	1	1
24			Pad, Corner	1	2
25			Label, Blank Carton	1	1
26	F	1132530	Kit, Locking Mechanism - Foot End	1	1
27			Pin, Locking	1	2
28			Spring, Compression (31/64 x 7/8 x 1/8")	1	2
29			Clip, Retaining	1	2
30			Eyebolt with Split Ring (#10-24 x 2")	1	2
	G	1125306	Connector, Crossover	1	1
	G	026874	Cord, Power	1	1

## Foot Spring - Full Electric (BAR5490IVC)

**NOTE: Bed Ends with the "Woodgrain" finish are from the BAR600 group Manufactured "before 5/05."  
Bed Ends with the "Composite" finish are from the BAR600IVC group manufactured "after 2/05." Please  
check before ordering service parts.**

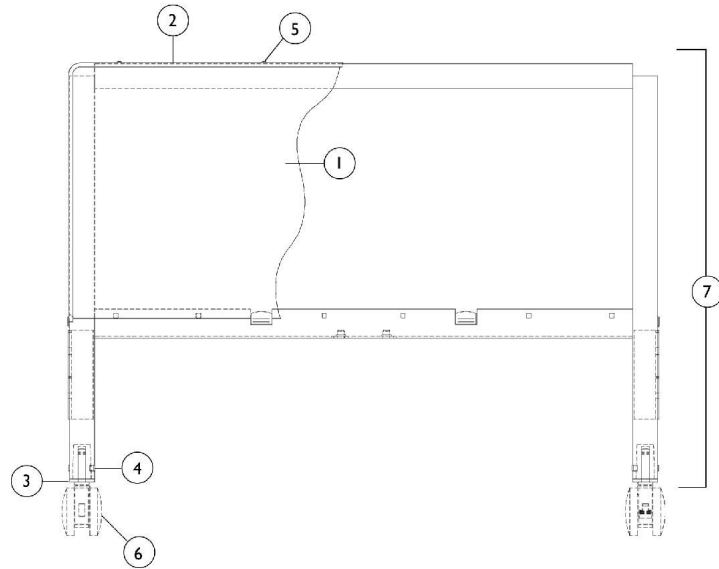
NOTE: A - Includes: Items 2-4  
B - Includes: Items 9-11  
C - Includes: Items 13-14. Kit Part Number NLA. Order items 13 and 14 individually.  
D - Includes: Items 16-17  
E - Includes: Items 23-25  
F - Includes: Items 27-30  
G - Not shown  
H - An instruction sheet for the Pendant Clips (Part. No. 54000M181) is available to download at [invacare.com](http://invacare.com) under "Product Literature Search" link.  
I - No longer available. See part #1104343 as its replacement. Includes the Control/Junction Box and Installation Instructions.



# Bed Ends - Manual & Semi Electric

## 5100

Fixed Height  
discontinued 6/03

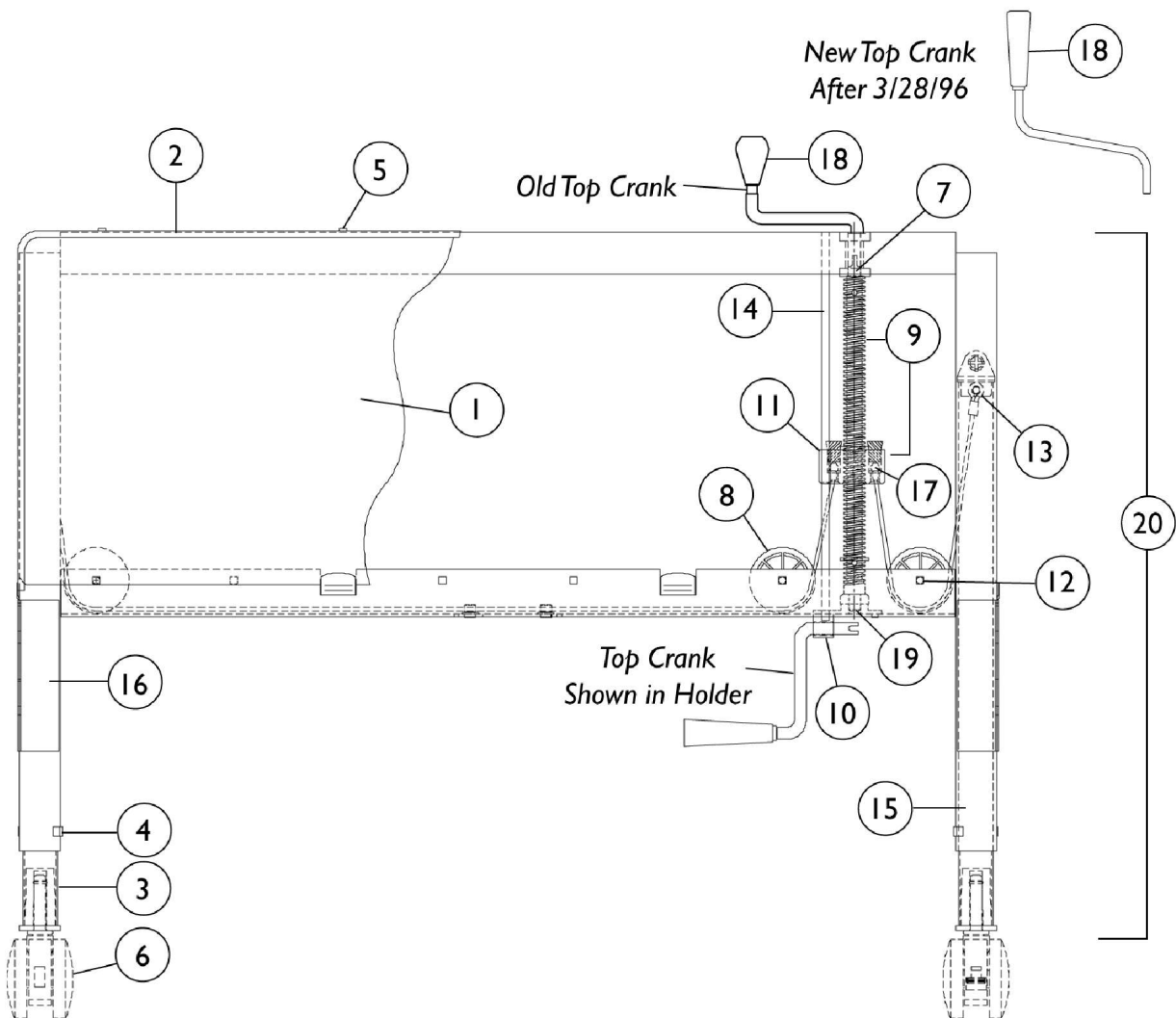


**Bed Ends - Manual & Semi Electric**  
**5100**  
**Fixed Height**  
discontinued 6/03

Item Number	Note	Part Number	Description	Quantity Per	
				Package	Assembly
1		51000M087-NLA	NLA - Panel, Decorative - Head End	1	2
1		51000M076	Panel, Decorative, Foot End	1	2
1	D	1116647	Panel, High Impact, Head End	1	2
1	D	1116648	Panel, High Impact, Foot End	1	2
2		51000M091	Trim, Decorative - Head End	1	1
2		51000M080	Trim, Decorative, Foot End	1	1
3		51000M082	Socket, Caster	1	2
4		51000M581	Guide, Leg	1	4
5		51000M908-NLA	NLA - Screw (#6 x 5/16")	1	12
6	A	51000M000-NLA	NLA - Caster Assembly, Swivel w/ Brake (3")	1	1
6	B	54000M446	Caster Assembly, Swivel w/ Brake (3")	1	1
6	A	51000M001	Caster Assembly, Swivel (3")	1	1
6	B,G	54000M445-NLA	NLA - Caster Assembly, Swivel (3")	1	1
6	A,E	5100M008-NLA	NLA - Package, Caster	1	1
7		52000M214-NLA	NLA - Fixed Height Head End Assembly without Casters	1	1
7		52000M213-NLA	NLA - Foot End Assembly, Fixed Height without Casters	1	1
	C	51000M426	S-Clip, Panel	1	1
NOTE: A - Before 10/94 B - After 9/94 C - Not Shown D - Two (2) Panels are need PER Bed End. Head End takes two (2) panels and Foot End takes two (2) panels. E - Includes: Two (2) Casters with Brakes and Two (2) Casters without Brakes. G - No Longer Available, replace with 54000M446.					

# Bed Ends - Manual & Semi Electric 5200 2 Crank Hi / Lo

discontinued 6/03



# Bed Ends - Manual & Semi Electric 5200 2 Crank Hi / Lo

discontinued 6/03

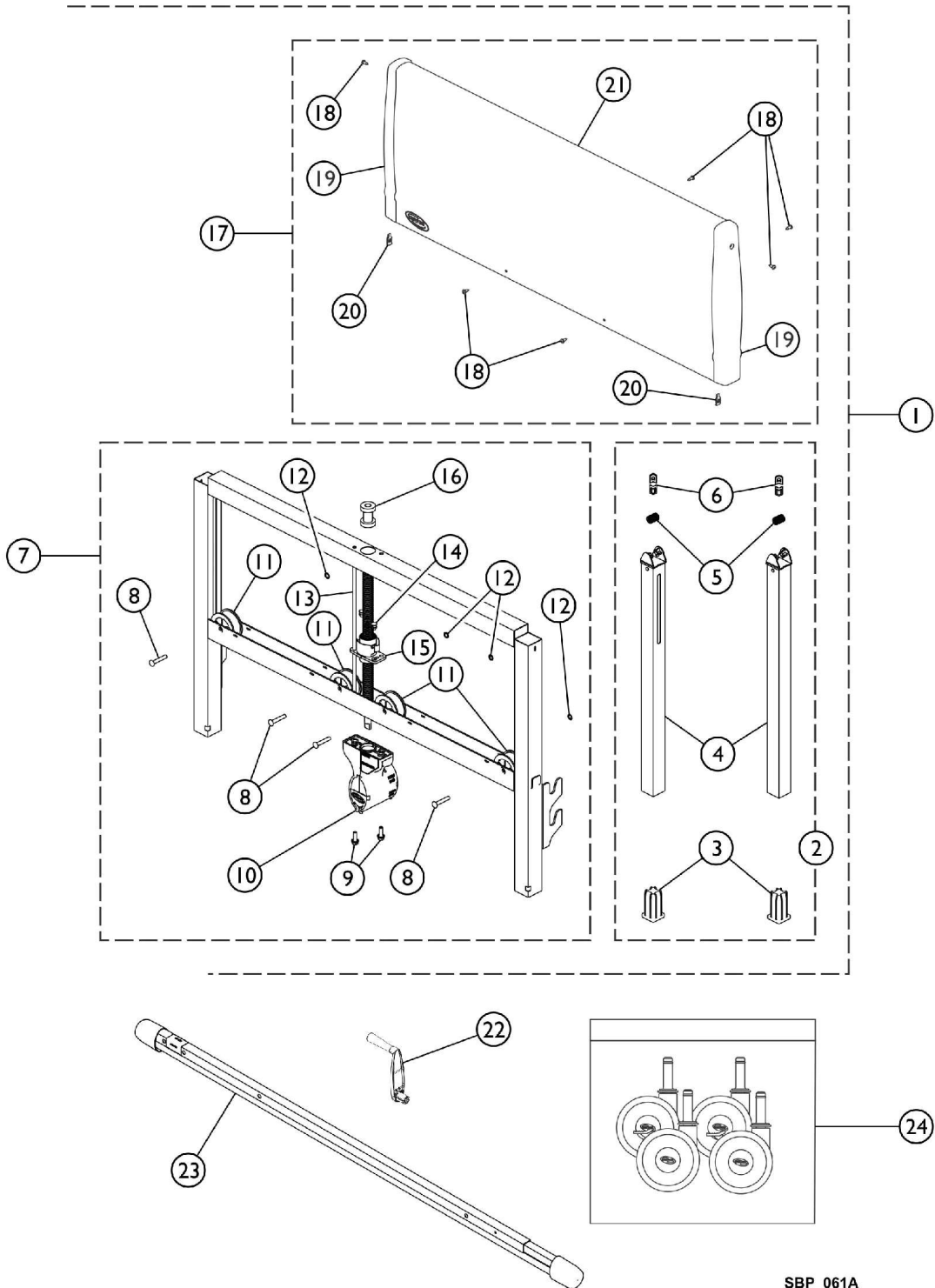
Item Number	Note	Part Number	Description	Quantity Per	
				Package	Assembly
1		51000M087-NLA	NLA - Panel, Decorative - Head End	1	2
1		51000M076	Panel, Decorative, Foot End	1	2
1	E	1116647	Panel, High Impact, Head End	1	2
1	E	1116648	Panel, High Impact, Foot End	1	2
2		51000M255-NLA	NLA - Trim, Decorative - Head End	1	1
2		51000M254	Trim, Decorative - Foot End	1	1
3		51000M083	Socket, Caster	1	2
4		51000M581	Guide, Leg	1	4
5		51000M908-NLA	NLA - Screw (#6 x 5/16")	1	12
6	B	51000M000-NLA	NLA - Caster Assembly, Swivel w/ Brake (3")	1	1
6	C	54000M446	Caster Assembly, Swivel w/ Brake (3")	1	1
6	B	51000M001	Caster Assembly, Swivel (3")	1	1
6	C,G	54000M445-NLA	NLA - Caster Assembly, Swivel (3")	1	1
6	B,F	5100M008-NLA	NLA - Package, Caster	1	1
7		51000M589	Bearing, Sleeve	1	1
8		1116651	Pulley, Cable	1	1
9		5200M035-NLA	NLA - Screw Assembly Includes: 1 ea. Cable and Guide Nut, 2 ea. Roll Pin (3/16 x 1-1/8"), 1 ea. Screw (3/4-6 x 15-7/16"), 1 ea. Washer (3/4 x 1-1/16 x 5/64").	1	1
9		5200M024	Screw Assembly - Front Includes: 1 ea. Cable and Guide Nut, 2 ea. Roll Pin (3/16 x 1-1/8"), 1 ea. Screw (3/4-6 x 12-15/16"), 2 ea. Washer (3/4 x 1-1/16 x 5/64").	1	1
9	D	52000M139-NLA	NLA - Kit, Screw Assembly - Head	1	1
9	D	52000M140-NLA	NLA - Kit, Screw Assembly - Foot	1	1
10		53000M737	Holder, Handle	1	1
11		54000M661-NLA	NLA - Stopper, Cork	1	1
12		53000M989-NLA	NLA - Rivet, Square Head	1	3
13		51000M064	Spring, Leg Retaining	1	2
14		51000M088-NLA	NLA - Rod, Guide - Long	1	1
14		51000M075	Rod, Guide, Foot End, Short	1	1
15		5200M030-NLA	NLA - Inner Leg with Long Cable Assembly	1	1
16		5200M029-NLA	NLA - Inner Leg with Short Cable Assembly	1	1
17		51000M004-NLA	NLA - Washer, Slotted	1	2
18		5200M026	Crank Handle Assembly	1	1
19		51000M277	Bearing, Thrust	1	1

# Bed Ends - Manual & Semi Electric 5200 2 Crank Hi / Lo

discontinued 6/03

Item Number	Note	Part Number	Description	Quantity Per	
				Package	Assembly
20		52000M216-NLA	NLA - Hi/Lo Head End Assembly without Casters (2 Crank)	1	1
20		52000M215-NLA	NLA - Foot End Assembly, Hi/Lo without Casters (2 Crank)	1	1
	A	51000M426	S-Clip, Panel	1	1
NOTE: A - Not Shown B - Before 10/94 C - After 9/94 D - Includes Items 9, 11, and 17. E - Two (2) Panels are need PER Bed End. Head End takes two (2) panels and Foot End takes two (2) panels. F - Includes: Two (2) Casters with Brakes and Two (2) Casters without Brakes. G - No Longer Available, replace with 54000M446.					

# Bed Ends - Manual, Full / Semi Electric 5301IVC



SBP\_061A

# Bed Ends - Manual, Full / Semi Electric 5301IVC

## Head and Foot End

Item Number	Note	Part Number	Description	Quantity Per	
				Package	Assembly
	A,B,H, M	1121762-NLA	NLA - Bed End Assembly, Single w/ Packaging Kit	1	1
1	C,D,H	1112668	Kit, Bed End Assembly	1	1
3			Socket, Caster	1	2
4			Inner Leg with Cable Assembly	1	2
5			Spring, Leg Retaining	1	2
6			Guide, Leg	1	4
8			Rivet (1/4 x 1-7/16")	1	4
9			Screw, Hex Head (1/4-20 x 3/4")	1	2
10			Gearbox Assembly (Zinc)	1	1
11			Pulley, Cable	1	4
12			Ring, Retaining	1	4
13			Rod, Guide, Foot End, Short	1	1
14			Plug, Push In	1	2
15			Bracket, Screw	1	1
16			Bearing, Sleeve	1	1
18			Screw, Phillips Pan Head (#8-18 x 1/2")	1	6
19			Cap, Bed End	1	2
20			Nut, Self-Retaining	1	2
21			Cover, Bed End	1	1
			Frame, Bed End, Brown	1	1
2	E	1130786	Kit, Inner Leg Assembly	1	1
3			Socket, Caster	1	2
4			Inner Leg with Cable Assembly	1	2
5			Spring, Leg Retaining	1	2
6			Guide, Leg	1	4
7	F,H,N	1130787	NLA - Kit, Gearbox and Housing Assembly (Zinc)	1	1
8			Rivet (1/4 x 1-7/16")	1	4
9			Pulley, Cable	1	4
10			Bearing, Sleeve	1	1
11			Rod, Guide, Foot End, Short	1	1
13			Plug, Push In	1	2
14			Bracket, Screw	1	1
15			Gearbox Assembly (Zinc)	1	1
16			Screw, Hex Head (1/4-20 x 3/4")	1	2
			Ring, Retaining	1	4
17	G	1130788	Kit, Bed End Cover	1	1
18			Screw, Phillips Pan Head (#8-18 x 1/2")	1	6
19			Cap, Bed End	1	2
20			Nut, Self-Retaining	1	2

## Bed Ends - Manual, Full / Semi Electric 5301IVC

Item Number	Note	Part Number	Description	Quantity Per	
				Package	Assembly
21			Cover, Bed End	1	1
19		1112669	Cap, Bed End	1	2
22	H,J	1116636-NLA	NLA - Crank, Manual - Hi/Lo (Zinc)	1	1
22	J	1157942	Crank, Manual - Hi/Lo (Nylon)	1	1
23		7000M585	Drive Shaft Assembly (80")	1	1
24		1115572-NLA	NLA - Package, Caster without Invacare Logo on Hubcap Includes: (2) Non-Locking Casters & (2) Locking Casters.	1	1
24	K	1123550	Package, Caster w/ Invacare Logo on Hubcap	1	1
	L	1123549	Caster Assembly, Swivel w/o Brake (3")	1	2
	L	1123551	Caster Assembly, Swivel w/ Brake (3")	1	2

NOTE: A - Not Shown.  
 B - Includes: Items 1-24 and Packaging. This Kit contains (1) assembled Bed End, (1) Crank Handle, (1) Drive Shaft, (4) Casters and Packaging.  
 C - When Bed End Assembly (Pt.#1112668) is used for a Manual or Semi-Electric Foot End, Part Numbers 7000M585 and 1116636 are required. See Pt.#1121762 for complete kit.  
 D - Includes: Items 2 - 21 and Bed End Frame (Not Shown)  
 E - Includes: Items 3 - 6  
 F - Includes: Items 8 - 16  
 G - Includes: Items 18 - 21  
 H - All service parts gearbox housings are made of zinc.  
 J - All bed products designated "Government" models remain zinc, all others are to be nylon.  
 K - Includes Non-Locking Casters (2) and Locking Casters (2).  
 L - Not shown individually on the illustration.  
 M - This item is No Longer Available. Please order the following items when replacing this item: 1112668 (Item 1), 1116636 (Item 22), 1123550 (Item 24), and 7000M585 (Item 23).  
 N - Item # 7 1130787 is NLA. See item #1 1112668 as a replacement.

Note: "Quantity Per Assembly" column shows how many needed per Bed End.

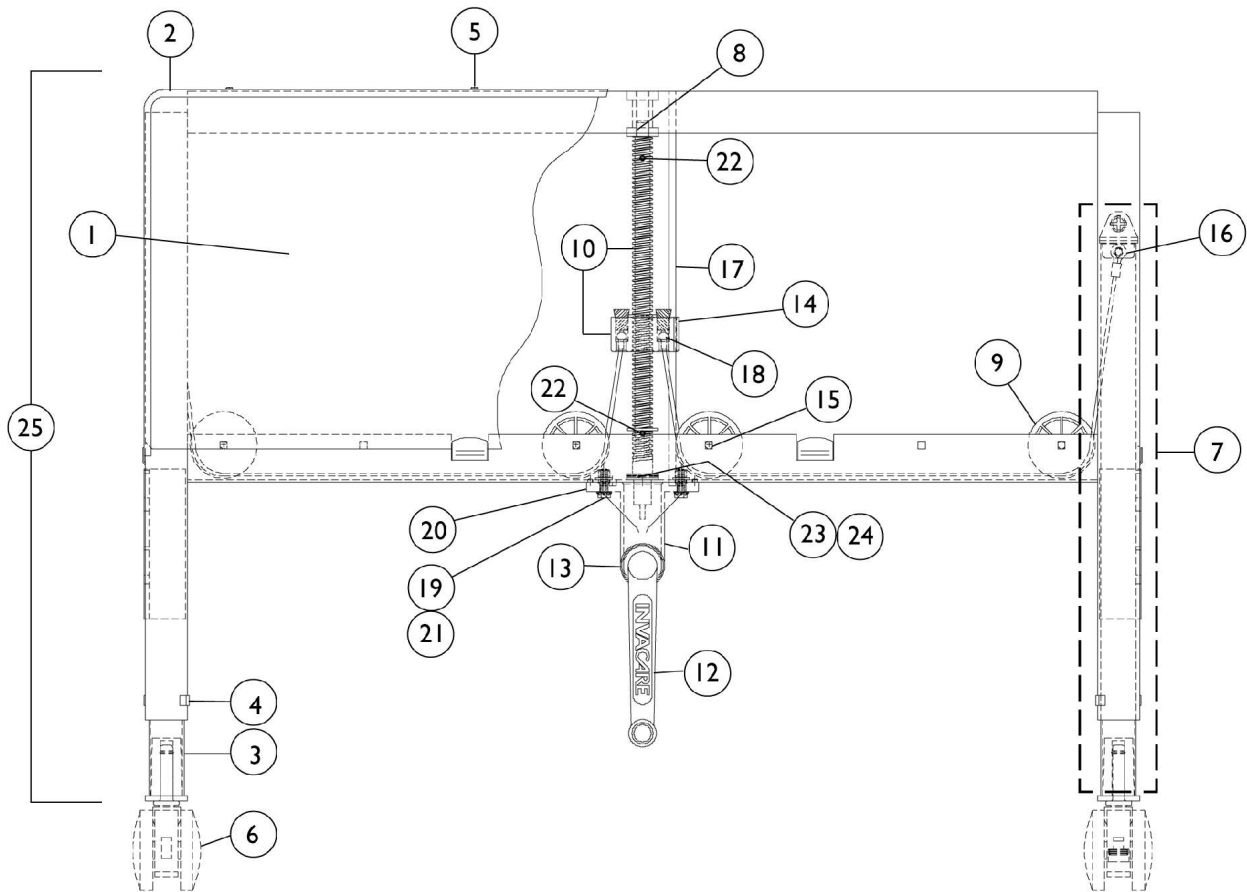


# Bed Ends - Semi / Full Electric and Careguard 5300/01 and 5400/01

## Head and Foot End

5300 & 5400 discontinued 1/02

5301 & 5401 discontinued 6/03



# Bed Ends - Semi / Full Electric and Careguard 5300/01 and 5400/01

## Head and Foot End

5300 & 5400 discontinued 1/02  
5301 & 5401 discontinued 6/03

Item Number	Note	Part Number	Description	Quantity Per	
				Package	Assembly
1	J	51000M087-NLA	NLA - Panel, Decorative - Head End	1	2
1	K	51000M076	Panel, Decorative, Foot End	1	2
1	L	1116647	Panel, High Impact, Head End	1	2
1	L	1116648	Panel, High Impact, Foot End	1	2
2	J	51000M091	Trim, Decorative - Head End	1	1
2	K	51000M080	Trim, Decorative, Foot End	1	1
3		51000M083	Socket, Caster	1	2
4		51000M581	Guide, Leg	1	4
5		51000M908-NLA	NLA - Screw (#6 x 5/16")	1	12
6	H	51000M000-NLA	NLA - Caster Assembly, Swivel w/ Brake (3")	1	1
6	I	54000M446	Caster Assembly, Swivel w/ Brake (3")	1	1
6	H	51000M001	Caster Assembly, Swivel (3")	1	1
6	I,P	54000M445-NLA	NLA - Caster Assembly, Swivel (3")	1	1
6	H,M	5100M008-NLA	NLA - Package, Caster	1	1
7	B	5300M022	Inner Leg with Cable Assembly	1	2
8		51000M589	Bearing, Sleeve	1	1
9		1116651	Pulley, Cable	1	1
10	C,J	5300M051-NLA	NLA - Kit, Screw and Slip Nut Includes: 2 ea. Roll Pin (1/8 x 7/8"), 1 ea. Nut Housing, 2 ea. Pressure Plate, 1 ea. Screw (#6 x 3/4"), 1 ea. Thrust Bearing, 1 ea. Slip Nut, 2 ea. "C"-Clip, 2 ea. Push-Plug.	1	1
10	K	5300M014-NLA	NLA - Screw and Cable Guide Nut Assembly Includes: 1 ea. Cable and Guide Nut, 1 ea. Screw (#6 x 3/4"), 2 ea. Washer (3/4" x 1-1/16 x 5/64"), 2 ea. Roll Pin (1/8 x 7/8").	1	1

# Bed Ends - Semi / Full Electric and Careguard 5300/01 and 5400/01

## Head and Foot End

5300 & 5400 discontinued 1/02

5301 & 5401 discontinued 6/03

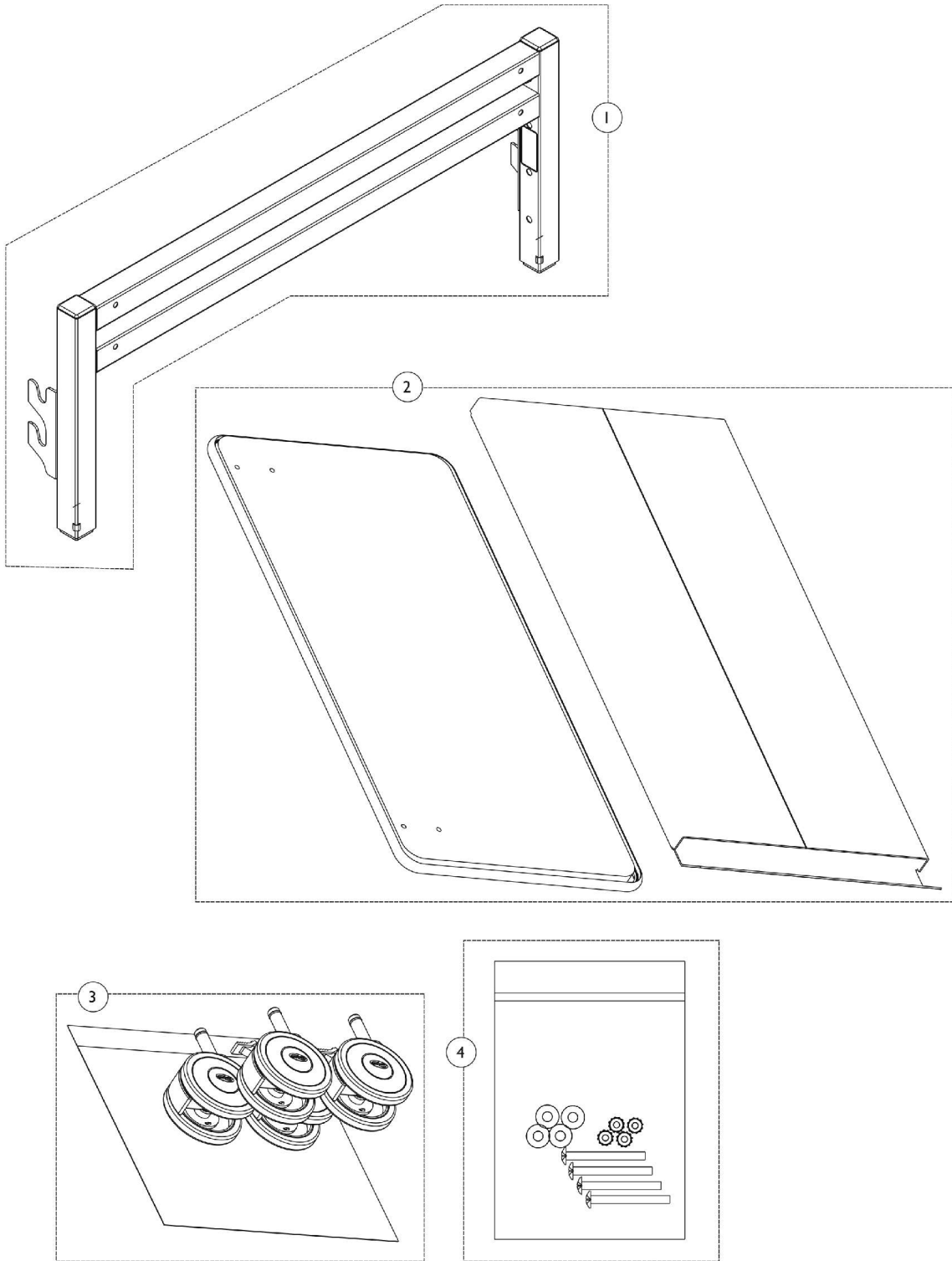
Item Number	Note	Part Number	Description	Quantity Per	
				Package	Assembly
10	C,K	52000M138-NLA	NLA - Screw and Slip Nut Assembly Includes: 2 ea. Roll Pin (1/8 x 7/8"), 1 ea. Nut Housing, 2 ea. Pressure Plate, 1 ea. Screw (#6 x 3/4"), 1 ea. Thrust Bearing, 1 ea. Slip Nut, 1 ea. Clips "C", 2 ea. Push-In Plug.	1	1
11	J,O	5300M006-NLA	NLA - Gearbox - Semi/Full Electric	1	1
11	K,O	5300M005-NLA	NLA - Gearbox with Crank - Semi Electric	1	1
11	K,O	5400M005-NLA	NLA - Gearbox - Full Electric	1	1
11	N,Q	1134790	Kit, Gearbox Housing (Zinc) with 80" Drive Shaft Gearbox Assembly (Zinc) Drive Shaft Assembly (80")	1 1 1	1 1 1
12	G,K	5300M053-NLA	NLA - Crank, Semi Electric	1	1
13	F,K	51000M780-NLA	NLA - Pin, Roll (3/16 x 3/4")	1	1
13	G,K	53000M433	Pin, Roll (3/16 x 7/8")	1	1
14	K	54000M661-NLA	NLA - Stopper, Cork	1	2
15		53000M989-NLA	NLA - Rivet, Square Head	1	4
16		51000M064	Spring, Leg Retaining	1	2
17	J	51000M088-NLA	NLA - Rod, Guide - Long	1	1
17	K	51000M075	Rod, Guide, Foot End, Short	1	1
18	K	51000M004-NLA	NLA - Washer, Slotted	1	2
19	D	54000M497	Screw, Hex Head (1/4-20 x 3/4")	1	1
20	D	53000M832	Locknut (1/4-20)	1	1
21	E	54000M497	Screw, Hex Head (1/4-20 x 3/4")	1	2
22	E,K	51000M726	Pin, Roll (1/8 x 7/8")	1	1
23	E,K	51000M142	Plate, Bearing	1	2
24	J	53000M803-NLA	Bearing, Thrust	1	1
24	E,K	51000M143	Bearing, Thrust	1	1
25	J	52000M219-NLA	NLA - Head End Assembly, Semi/ Full Electric without Casters	1	1
25	K	52000M218-NLA	NLA - Foot End Assembly - Semi Electric without Casters	1	1
25	K	52000M217-NLA	NLA - Foot End Assembly - Full Electric without Casters	1	1
	A	51000M426	S-Clip, Panel	1	1

# Bed Ends - Semi / Full Electric and Careguard 5300/01 and 5400/01 Head and Foot End

5300 & 5400 discontinued 1/02  
5301 & 5401 discontinued 6/03

NOTE: A - Not Shown  
B - Includes Legs, Cable, Cable Anchor, and Pin.  
C - This kit includes all parts and instructions to upgrade Non-Synchronized bed ends to Synchronized bed ends.  
D - Before 2/23/95  
E - After 2/22/95  
F - Before 1/26/95  
G - After 1/25/95  
H - Before 10/94  
I - After 9/94  
J - Used on the Head End only.  
K - Used on the Foot End only.  
L - Two (2) Panels are needed PER Bed End. Head End takes two (2) panels and Foot End takes two (2) panels. Panels can be used for Careguard Beds also. This High Impact panel was created as a service parts upgrade option only  
M - Includes: Two (2) Casters with Brakes and Two (2) Casters without Brakes.  
N - Includes: Gear Box Housing and 80" Drive Shaft.  
O - When replacing the Non-IVC Gear Box, a new Drive Shaft will also need to be replaced - see Kit part # 1134790.  
P - No Longer Available, replace with 5400M446.  
Q - Used with Head and Foot Bed Ends.

# CareGuard CG5301 (After 6/30/05)

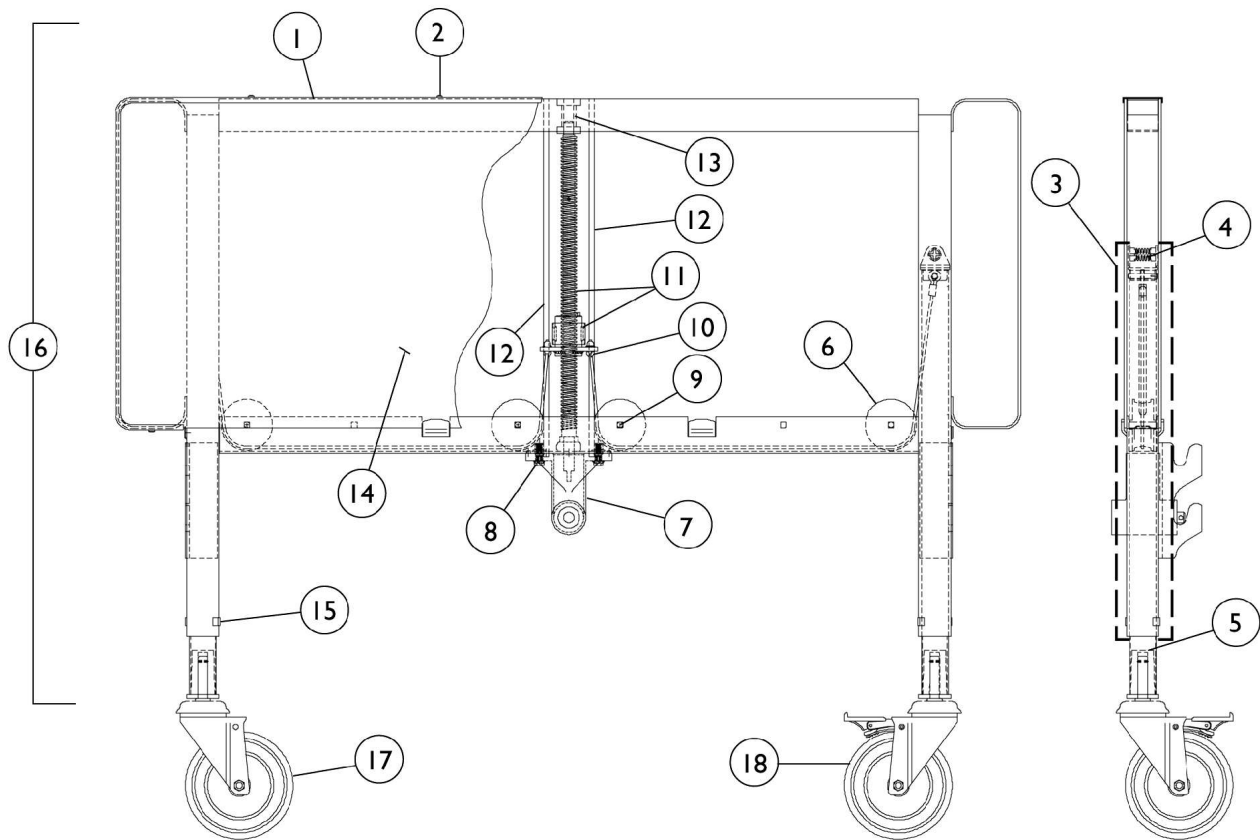


## CareGuard CG5301 (After 6/30/05)

Item Number	Note	Part Number	Description	Quantity Per	
				Package	Assembly
1		1133870	Kit, Bed End	1	1
			Plug Button	1	2
			Guide, Leg	1	4
			Leg Assembly	1	2
			Spring, Torsion w/ Button	1	2
			Socket, Caster	1	2
			Leg, Inner, Brown	1	2
			2		1135954
3	A	1123550	Package, Caster w/ Invacare Logo on Hubcap	1	1
	B	1123549	Caster Assembly, Swivel w/o Brake (3")	1	2
4	B	1123551	Caster Assembly, Swivel w/ Brake (3")	1	2
		1135953	Kit, Headboard Hardware	1	1
			Nut, Keps (1/4-20)	1	4
			Washer (13/32 x 13/16 x 1/16)	1	4
			Screw, Phillips Truss Head (1/4-20 x 2-1/2")	1	4
NOTE: A - Package includes Non-Locking Caster (2) and Locking Caster (2). B - Not Shown individually on the illustration.					

# Bed Ends - Full Electric (BAR5401)

**NOTE:** Bed Ends with the "Woodgrain" finish are from the BAR600 group Manufactured "before 5/05."  
Bed Ends with the "Composite" finish are from the BAR600IVC group manufactured "after 2/05." Please  
check before ordering service parts.



## Bed Ends - Full Electric (BAR5401)

**NOTE: Bed Ends with the "Woodgrain" finish are from the BAR600 group Manufactured "before 5/05."  
Bed Ends with the "Composite" finish are from the BAR600IVC group manufactured "after 2/05." Please  
check before ordering service parts.**

### Head and Foot End

Item Number	Note	Part Number	Description	Quantity Per	
				Package	Assembly
1	D	56000M020	Trim, Decorative	1	1
1	E	56000M021-NLA	NLA - Trim, Decorative	1	1
2		51000M908-NLA	NLA - Screw (#6 x 5/16")	1	14
3	A,C	5300M022	Inner Leg with Cable Assembly	1	2
3	A,B	1105548-NLA	Inner Leg with Cable	1	2
4		51000M064	Spring, Leg Retaining	1	2
5		51000M083	Socket, Caster	1	2
6		56000M008-NLA	NLA - Pulley, Cable	1	4
7	D,J	5600M015-NLA	NLA - Gearbox	1	1
7	E,J	5600M016-NLA	NLA - Gearbox	1	1
7	H,L	1134790	Kit, Gearbox Housing (Zinc) with 80" Drive Shaft Gearbox Assembly (Zinc) Drive Shaft Assembly (80")	1	1
8		54000M497	Screw, Hex Head (1/4-20 x 3/4")	1	2
9		53000M989-NLA	NLA - Rivet, Square Head	1	4
10		54000M780	Plug, Push In	1	2
11	D	5300M051-NLA	NLA - Kit, Screw and Slip Nut Includes: 2 ea. Roll Pin (1/8 x 7/8"), 1 ea. Nut Housing, 2 ea. Pressure Plate, 1 ea. Screw (#6 x 3/4"), 1 ea. Thrust Bearing, 1 ea. Slip Nut, 2 ea. "C"-Clip, 2 ea. Push-Plug.	1	1
11	E	5300M050	Kit, Screw and Slip Nut Includes: 2 ea. Roll Pin (1/8 x 7/8"), 1 ea. Nut Housing, 2 ea. Pressure Plate, 1 ea. Screw (#6 x 3/4"), 1 ea. Thrust Bearing, 1 ea. Slip Nut, 2 ea. Clip "C".	1	1
12	D	51000M088-NLA	NLA - Rod, Guide - Long	1	2
12	E	51000M075	Rod, Guide, Foot End, Short	1	2
13		51000M589	Bearing, Sleeve	1	1
14	D	56000M010	Panel, Decorative	1	2
14	E	56000M011	Panel, Decorative	1	2
15		51000M581	Guide, Leg	1	4
16	D	5600M011-NLA	Head End Assembly, Bariatric without Casters	1	1
16	E	5600M012-NLA	Foot End Assembly - Heavy Duty without Casters	1	1



## Bed Ends - Full Electric (BAR5401)

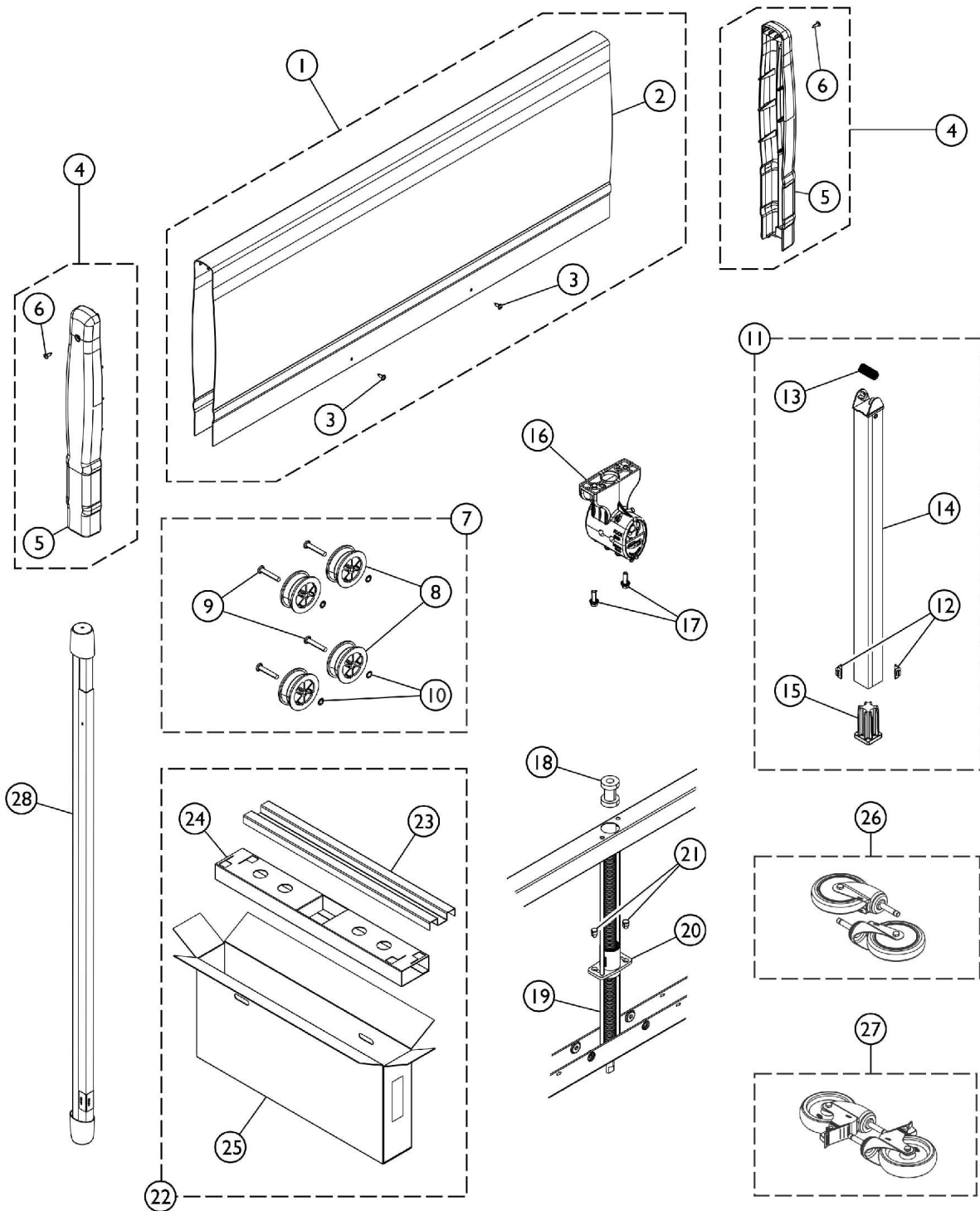
**NOTE: Bed Ends with the "Woodgrain" finish are from the BAR600 group Manufactured "before 5/05." Bed Ends with the "Composite" finish are from the BAR600IVC group manufactured "after 2/05." Please check before ordering service parts.**

Item Number	Note	Part Number	Description	Quantity Per	
				Package	Assembly
17	F	56000M026	Caster Assembly, Swivel (5")	1	2
17	G	1123543	Caster Assembly, Swivel (5")	1	2
17	G	1110430	Caster Assembly, Swivel (5") (Pair)	2	1
18	F,K	56000M027-NLA	NLA - Caster Assembly, Swivel w/ Brake (5")	1	2
18	G	1123544	Caster Assembly, Swivel w/ Brake (5")	1	2
18	G,K	1110431	Caster Assembly, Swivel w/ Brake (5") (Pair)	2	1

NOTE: A - Includes Leg, Cable, Cable Anchor, and Pin.  
 B - After 3/5/01  
 C - Before 3/6/01  
 D - Used on Head End only.  
 E - Used on Foot End only.  
 F - Before 2/2/04  
 G - After 2/1/04  
 H - Includes: Gear Box and 80" Drive Shaft  
 J - When replacing Non-IVC Gear Box, a new Drive Shaft will also need to be replaced - see Kit part # 1134790.  
 K - When replacing item 18, Part Number 56000M027 on beds manufactured before 2/2/04, use Part Number 1110431 as the replacement item.  
 L - Used with Head and Foot Bed Ends.

# Bed Ends - Full Electric (BAR5301IVC)

**NOTE:** Bed Ends with the "Woodgrain" finish are from the BAR600 group Manufactured "before 5/05."  
 Bed Ends with the "Composite" finish are from the BAR600IVC group manufactured "after 2/05." Please  
 check before ordering service parts.



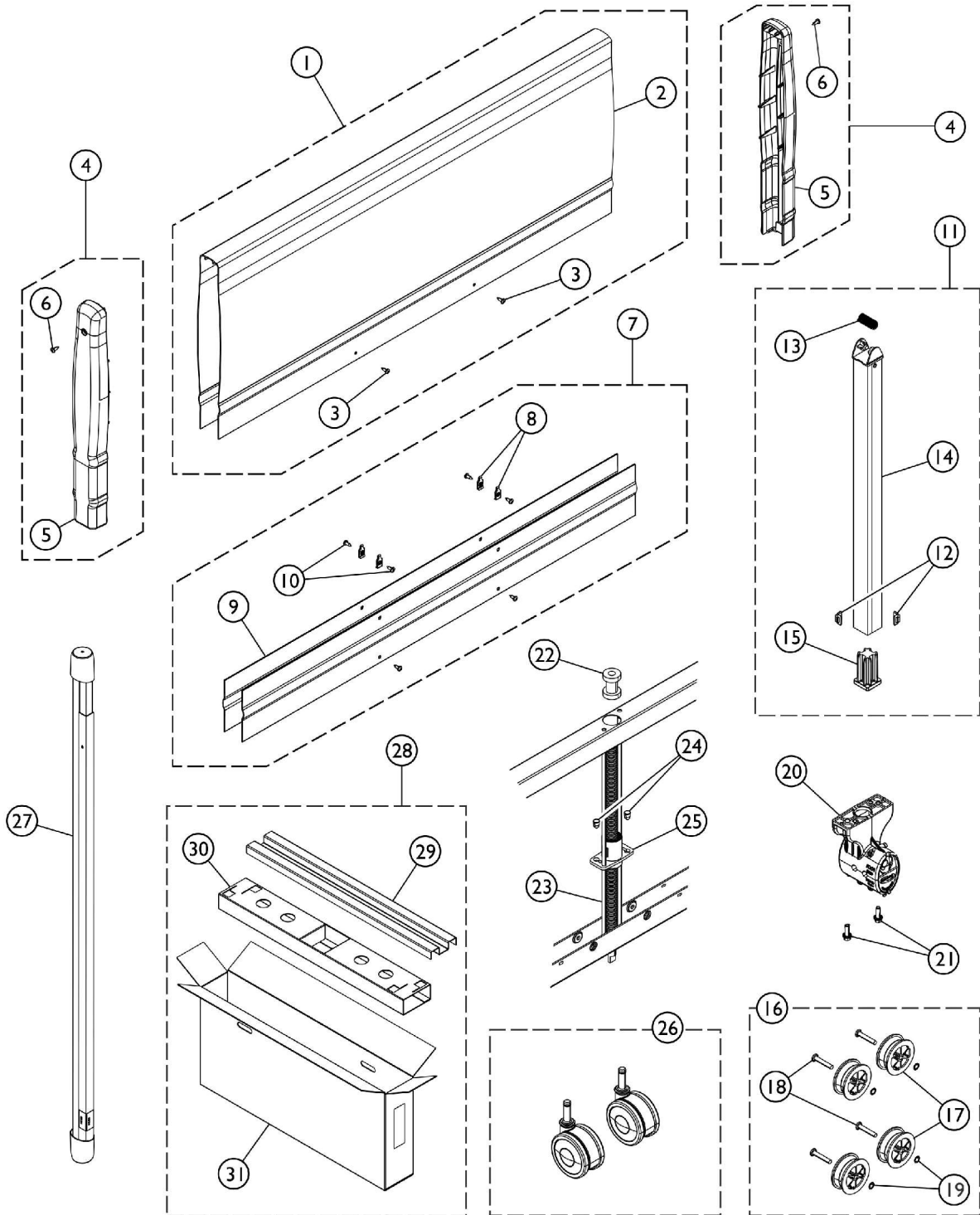
SBP\_054B

## Bed Ends - Full Electric (BAR5301IVC)

**NOTE: Bed Ends with the "Woodgrain" finish are from the BAR600 group Manufactured "before 5/05."  
Bed Ends with the "Composite" finish are from the BAR600IVC group manufactured "after 2/05." Please  
check before ordering service parts.**

Item Number	Note	Part Number	Description	Quantity Per	
				Package	Assembly
1	A	1175027	Kit, Panel Replacement	1	1
2			Cover, Bed End Panel	1	1
3			Screw, Phillips Pan Head (#8-18 x 1/2")	1	8
4	B	1132536-NLA	NLA - Kit, Bed End Cap	1	1
5			Cap, Bed End	1	2
6			Screw, Phillips Pan Head (#8-18 x 1/2")	1	2
7	C	1132534-NLA	NLA - Kit, Pulley Replacement	1	1
8			Pulley, Cable	1	4
9			Rivet (1/4 x 1-7/16")	1	4
10			Ring, Retaining	1	4
11	D	1132533-NLA	NLA - Kit, Leg Assembly - Bed End	1	1
12			Guide, Leg	1	4
13			Spring, Leg Retaining	1	1
14			Inner Leg Assembly	1	1
15			Socket, Caster	1	1
16		1114890	Gearbox Assembly (Zinc)	1	1
17		54000M497	Screw, Hex Head (1/4-20 x 3/4")	1	2
18		51000M589	Bearing, Sleeve	1	1
19		51000M075	Rod, Guide, Foot End, Short	1	2
20		1115284	Bracket, Screw	1	1
21		54000M780	Plug, Push In	1	2
22		1132538-NLA	NLA - Kit, Packaging - Bed End	1	1
23			Insert, Carton, Top	1	1
24			Insert, Carton, Bottom	1	1
25			Carton, Shipper	1	1
			Bag, Poly	1	1
			Label, Blank Carton	1	1
26		1110430	Caster Assembly, Swivel (5") (Pair)	2	1
27		1110431	Caster Assembly, Swivel w/ Brake (5") (Pair)	2	1
28		7000M585	Drive Shaft Assembly (80")	1	1
		1123842	Owner's Manual, Bariatric IVC Bed	1	1
NOTE: A - Includes: Items 2 - 3 B - Includes: Items 5 - 6 C - Includes: Items 8 - 10 D - Includes: Items 12 - 15					

# Bed Ends - Full Electric (5301LOW)



SBP\_057A

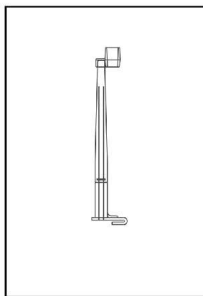
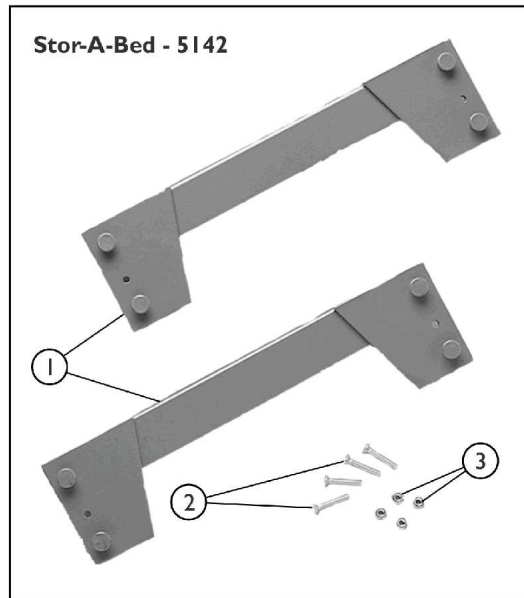
## Bed Ends - Full Electric (5301LOW)

Item Number	Note	Part Number	Description	Quantity Per	
				Package	Assembly
1	B,J	1132557-NLA	NLA - Kit, Panel Replacement - Low Bed End	1	1
2			Cover, Bed End	1	1
3			Screw, Phillips Pan Head (#8-18 x 1/2")	1	4
			NLA - Label, Warning	1	1
		1125101-NLA	NLA - Label, Warning	1	1
2		1112670	Cover, Bed End	1	1
3		1115571	Screw, Phillips Pan Head (#8-18 x 1/2")	1	4
4	C	1132556	Kit, End Cap - Low End Bed	1	1
5			Cap, Bed End	1	2
6			Screw, Phillips Pan Head (#8-18 x 1/2")	1	2
7	D	1132558	Kit, Lower Panel Replacement - Low Bed Ends	1	1
8			Nut, Self-Retaining	1	6
9			Cover, Low Bed End - Lower	1	2
10			Screw, Phillips Pan Head (#8-18 x 1/2")	1	4
11	E	1132554-NLA	NLA - Kit, Leg Assembly - Low Bed End	1	1
12			Guide, Leg	1	2
13			Spring, Leg Retaining	1	1
14			Inner Leg Assembly	1	1
15			Socket, Caster	1	1
16	F	1132555	Kit, Pulley Replacement - Low End Bed	1	1
17			Pulley, Cable	1	4
18			Rivet (1/4 x 1-7/16")	1	4
19			Ring, Retaining	1	4
20		1114890	Gearbox Assembly (Zinc)	1	1
21		54000M497	Screw, Hex Head (1/4-20 x 3/4")	1	2
22		51000M589	Bearing, Sleeve	1	1
23		1129695-NLA	NLA - Guide, Foot Rod	1	2
24		54000M780	Plug, Push In	1	2
25		1129698-NLA	NLA - Acme Screw Assembly	1	1
26	N	1123550	Package, Caster w/ Invacare Logo on Hubcap	1	1
		1123549	Caster Assembly, Swivel w/o Brake (3")	1	2
		1123551	Caster Assembly, Swivel w/ Brake (3")	1	2
27		7000M585	Drive Shaft Assembly (80")	1	1
28	I,L	1132584	Kit, Packaging - Low Bed Ends	1	1
29			Insert, Bed End	1	1
30			NLA - Insert, Bed End Packaging	1	1
31			NLA - Carton, Bed End	1	1
			NLA - Bag, Poly	1	1
	A	1132559	Kit, Leg Guides	1	1
			Guide, Leg	1	4
	A	1132560	Kit, Caster Sockets	1	1
			Socket, Caster	1	4
	A	1130173	Owner's Manual, Low Bed	1	1

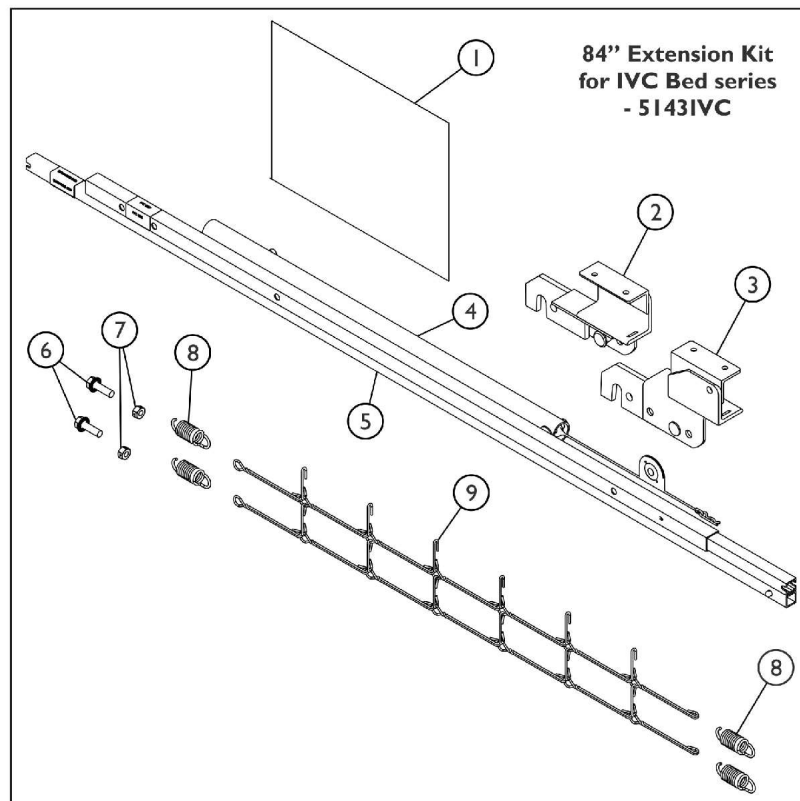
## Bed Ends - Full Electric (5301LOW)

NOTE: A - Not Shown  
B - Includes: Items 2, 3, and Warning Label (not shown).  
C - Includes: Items 5 & 6  
D - Includes: Items 8-10  
E - Includes: Items 12-15  
F - Includes: Items 17-19  
I - The Warning Label is Not Shown  
J - The Poly Bag is Not Shown  
L - Includes Non- Locking Casters (2) and Locking Casters (2).  
N - Must order Item 7 (1132558) when ordering replacement parts.

# Bed Accessories



**Pendant Holder**



SBP\_003B

# Bed Accessories

## Stor-A-Bed Kit (5142)

Item Number	Note	Part Number	Description	Quantity Per	
				Package	Assembly
1		7000M462-NLA	NLA - Rail	1	2
2		53000M409	Screw, Phillips Flat Head (1/4-20 x 1-1/2")	1	4
3		15108X000	Locknut (1/4-20)	1	4
	A	53000M691	Instruction Sheet, Stor-A-Bed	1	1

NOTE: A - Not shown in illustration.

## 84" Extension Kit (5143IVC) Used with "IVC" and Non-"IVC" Beds

Item Number	Note	Part Number	Description	Quantity Per	
				Package	Assembly
1		53000M701	Instruction Sheet, 84" Extension Kit	1	1
2		7000M465	Extension Only - Left	1	1
3		7000M466	Extension Only - Right	1	1
4	A	1118839	Head Pull Tube End Assembly	1	1
4	B	7000M469	Head Pull Tube End Assembly	1	1
5		7000M713	Drive Shaft Assembly (84")	1	1
6		54000M641	Screw, Hex Head (5/16-18 x 1")	1	2
7		53000M434	Locknut (5/16-18)	1	2
8		51000M135	Spring, Helical (11 turns)	1	4
9		53000M699	Extension, Fabric Link	1	1

NOTE: A - For IVC Models.  
B - For Non-IVC Models.

This Kit contains both Pull Tube Ends from each 5143IVC and 5143 models. Used only on Model Numbers with the IVC suffix.

## 84" Extension Kit (5143) Used on models WITHOUT "IVC" Extension

Item Number	Note	Part Number	Description	Quantity Per	
				Package	Assembly
1		53000M701	Instruction Sheet, 84" Extension Kit	1	1
2		7000M466	Extension Only - Right	1	1
3		7000M465	Extension Only - Left	1	1
4		7000M469	Head Pull Tube End Assembly	1	1
5		7000M713	Drive Shaft Assembly (84")	1	1
6		54000M641	Screw, Hex Head (5/16-18 x 1")	1	2
7		53000M434	Locknut (5/16-18)	1	2
8		51000M135	Spring, Helical (11 turns)	1	4
9		53000M699	Extension, Fabric Link	1	1

Service Parts are No Longer Available for the 5143, please order replacement parts from 5143IVC



# Bed Accessories

## Miscellaneous Accessories

Part Number	Description
5880M063-NLA	Pendant Holder
52000M043	Paint, Touch-Up, Brown (4.5 oz)
1116649-NLA See Note(s) A	NLA - Pulley Kit Includes: (4) Pulleys, (8) Spacers, and (4) Rivets
NOTE: A - For beds manufactured before 4/03.	
Note: Some of these items are not shown.	

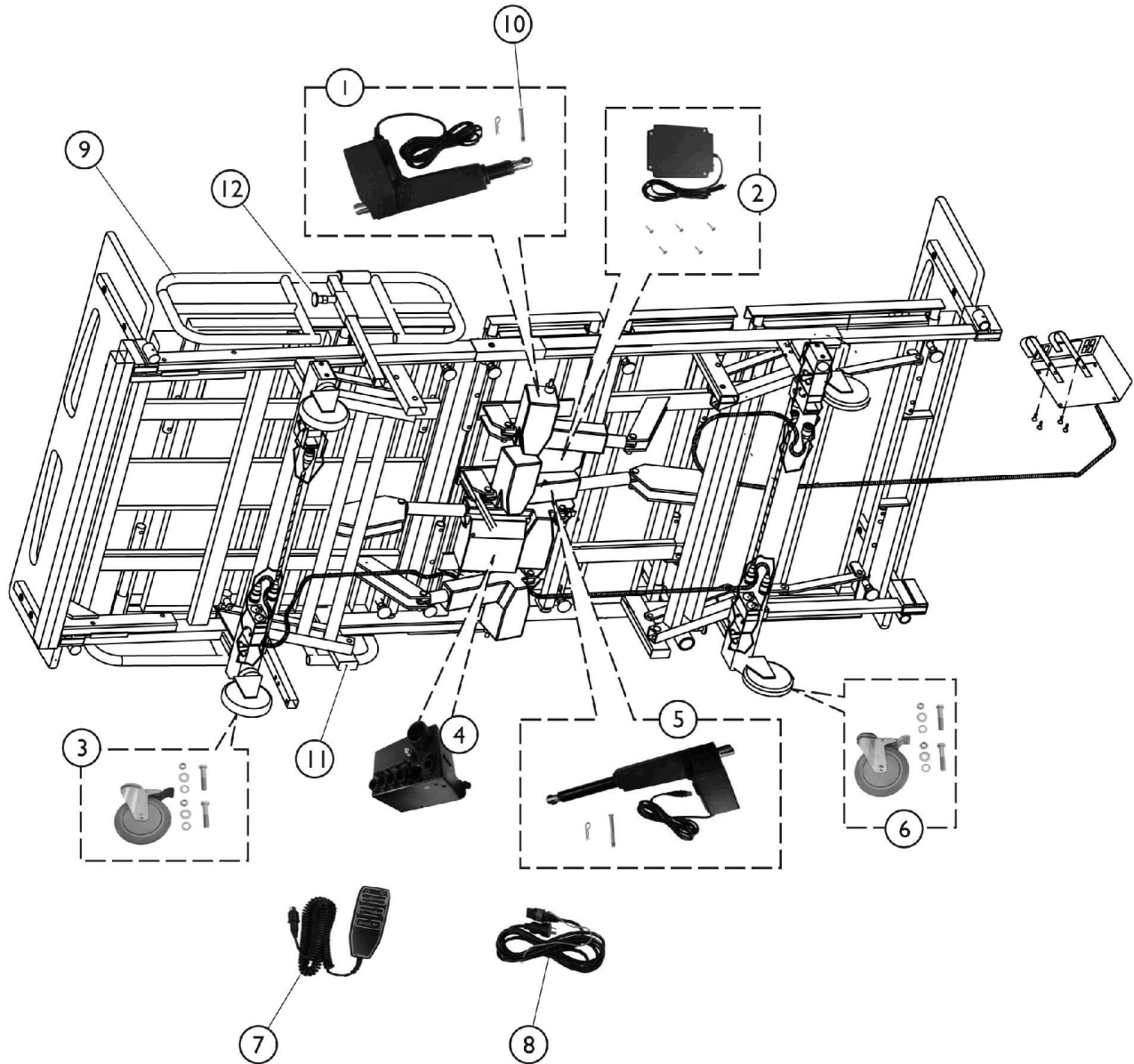
# BAR1000 (Discontinued)

Model BAR1000 - Discontinued



Item Number	Note	Part Number	Description	Quantity Per	
				Package	Assembly
1		1141386-NLA	NLA - Hand Controller, 6-Button	1	1
2		1141387-NLA	NLA - Headboard (48")	1	1
3		1141388-NLA	NLA - Footboard (48")	1	1
4		1141389-NLA	NLA - Caster, Locking (6 x 1")	1	2
5		1141390-NLA	NLA - Caster, Steering (6 x 1")	1	2

# BAR750



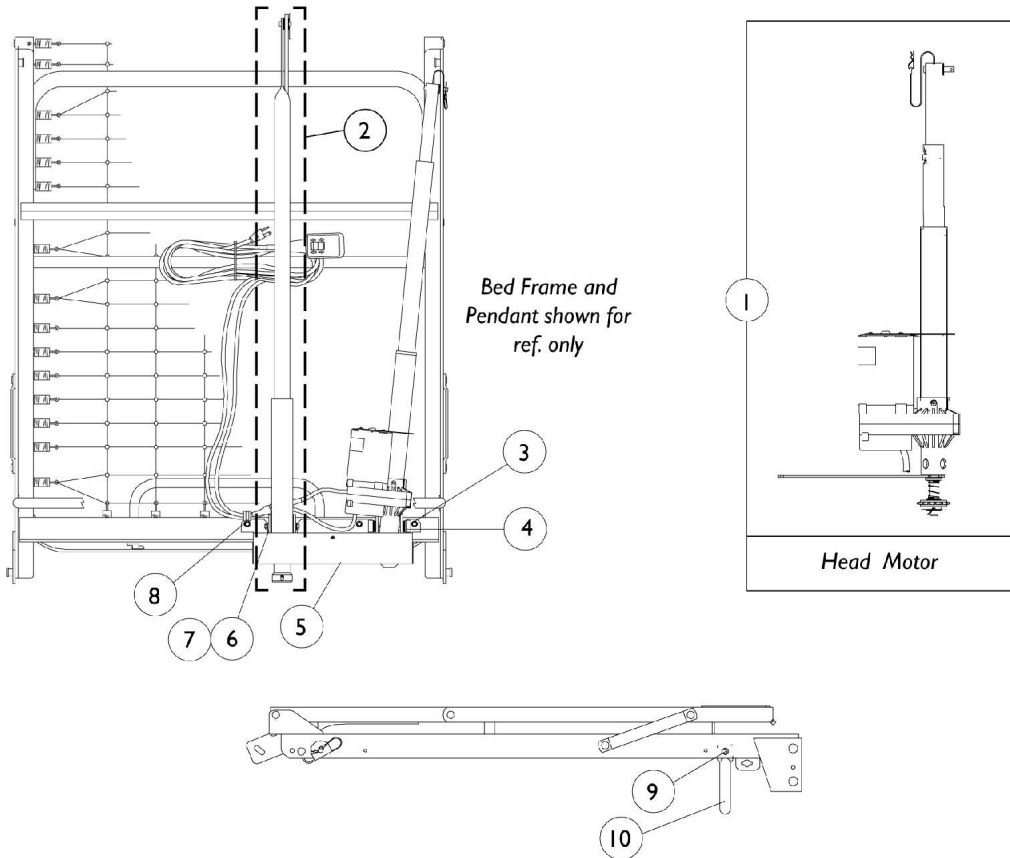
## BAR750

Item Number	Note	Part Number	Description	Quantity Per	
				Package	Assembly
1	H	1147492	Actuator Motor, Back Rest/Leg Lift	1	2
2	A	1147496-NLA	NLA - Battery with Hardware	1	1
3	B	1147497	Steering Caster with Hardware	1	1
4		1147490	Module, Electronic Control	1	1
5	H	1147491	Actuator Motor, High/Low	1	2
6	C	1147498	Locking Caster with Hardware	2	1
7		1147488	Pendant Control, Three Function	1	1
8		1147489	Cord, Power	1	1
9	D	1147493	Rails, Side	2	1
10	E	1147495	Package, Clevis Pin w/ Rue Clip	10	1
11		1147494-NLA	NLA - Plug Button, Black	10	1
12	F	1165872	Package, Release Knobs, Bed Rails/Extensions	5	1
	G	1165871-NLA	NLA - Kit, Footboard Extensions - Right/Left	1	1

NOTE: A - Includes 1) Battery and 5) Screws.  
 B - Includes 2) Steering Casters, 2) Locknuts, 2) Flat Washers, 2) Lock Washers and 2) Screws.  
 C - Includes 2) Locking Casters, 2) Locknuts, 2) Flat Washers, 2) Lock Washers and 2) Screws.  
 D - Includes 2) Side Rails.  
 E - Includes 5) Clevis Pins and 5) Rue Clips.  
 F - These are release knobs for the footboard and headboard extensions and the side bed rail. Sold in packages of five.  
 G - Not shown in illustration.  
 H - One Actuator is for the Head End (Back Rest) and the other for the Foot End (Leg Lift).

# Careguard by Invacare

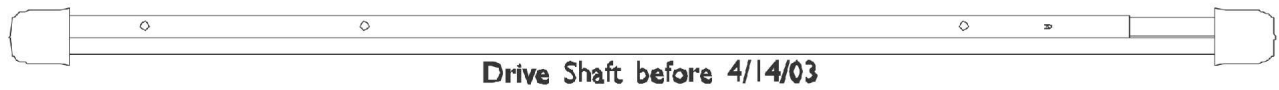
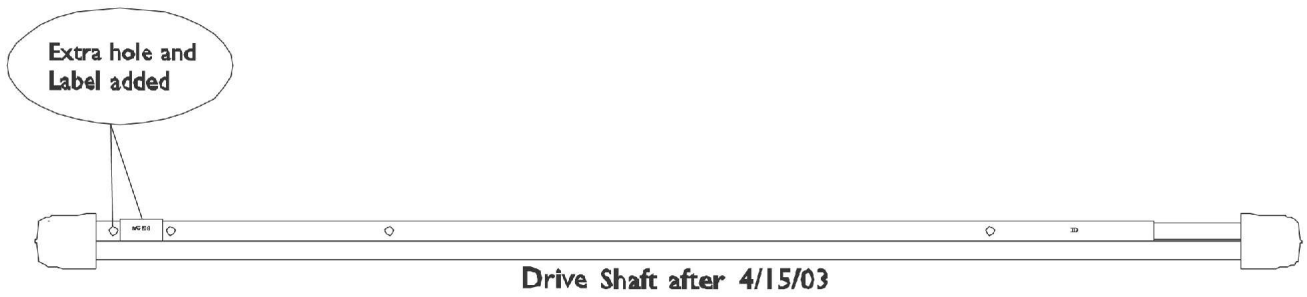
## Single Drive Bed Motors and Components



Item Number	Note	Part Number	Description	Quantity Per	
				Package	Assembly
1		7001M267-NLA	NLA - Motor, Head	1	1
2		7001M263-NLA	NLA - Foot, Drive Tube	1	1
3		54000M515	Screw, Slotted Hex Head Tap (1/4-20 x 3/4")	1	3
4		5300M054	Mount, Motor	1	1
5		54000M721-NLA	NLA - Cover, Front	1	1
6		54000M641	Screw, Hex Head (5/16-18 x 1")	1	4
7		54000M686-NLA	NLA - Bushing, Sleeve	1	2
8		54000M493	Clamp, Cable, Steel (9/16")	1	1
9		53000M434	Locknut (5/16-18)	1	2
10		54000M492-NLA	NLA - Guard, Motor (5-3/4" Tall)	1	1

## Drive Shafts - 80" and 84"

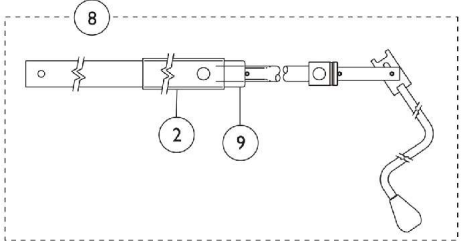
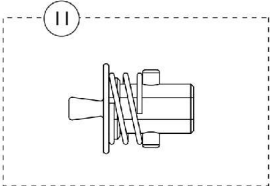
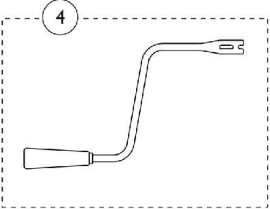
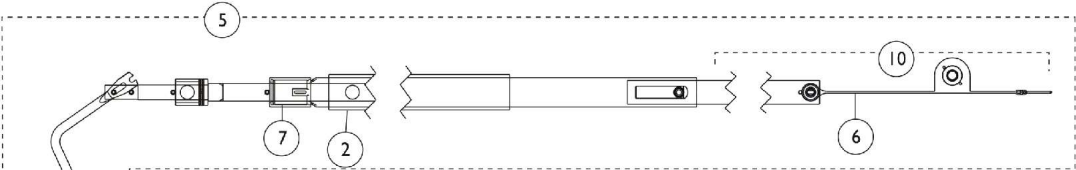
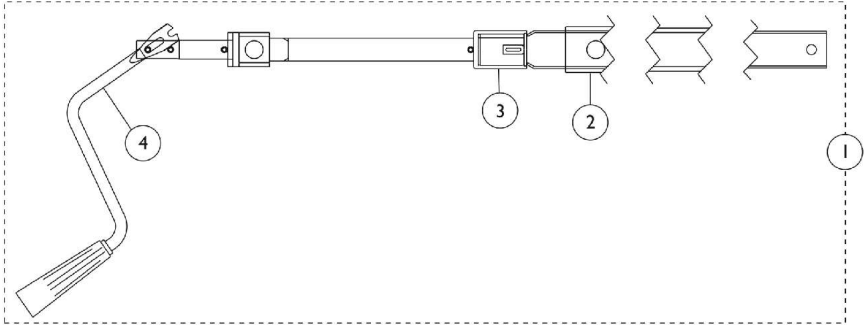
Both Drive Shafts have the same part number. Drive Shafts manufactured before 4/15/03 can ONLY be used on older style bed models; Drive Shafts manufactured after 4/14/03 can be used on EITHER the old style or the new, IVC models.



## Drive Shafts - 80" and 84"

Item Number	Note	Part Number	Description	Quantity Per	
				Package	Assembly
	A	7000M713	Drive Shaft Assembly (84")	1	1
	A	7000M585	Drive Shaft Assembly (80")	1	1
		40188X009	Button, Single Snap	1	1
		53000M734	Cap, End, Protective	1	2
<p>NOTE: A - Both Drive Shafts have the same part number (before and after dates). The shafts made before 4/15/03 can only be used on older style bed models; shafts made after 4/14/03 can be used on EITHER the old or the NEW, IVC models.</p> <p>Note: These items are not shown.</p>					

# Pull Tubes - Manual (5770 & 5770IVC)





## Pull Tubes - Manual (5770 & 5770IVC)

Item Number	Note	Part Number	Description	Quantity Per	
				Package	Assembly
1		5510M008	Tube, Pull, Foot w/ Flattened End	1	1
2		51000M191	Cover, Pull Tube (Head/Foot)	1	1
3		5510M010	Pull Tube Foot Assembly w/ Flattened End	1	1
4	B	7001M012	Handle, Crank, Elevating (Long)	1	1
5		5510M015	Tube, Pull, Head	1	1
6		5880M061	Tube, Pull, Head End Assembly	1	1
7		7000M235	Pull Tube with Nut - Head	1	1
8	A	5770M014-NLA	NLA - Handle, Crank, Elevating (Short)	1	1
9		7000M503	Pull Tube with Nut - Foot with Round Slotted End	1	1
10		5880M006	Lanyard with Hitch Pin Assembly	1	1
11	C	5300M054	Mount, Motor	1	1

NOTE: A - Before 4/6/96  
 B - After 4/5/96, Crank Handle is not interchangeable with old assemblies.  
 C - After 12/8/94

**Invacare Corporation**

[www.invacare.com](http://www.invacare.com)



**Yes, you can.**

One Invacare Way  
Elyria, Oh USA  
44036-2125  
800-333-6900

Technical Support  
800-832-4707  
Florida Technical Support  
407-321-5630

Customer Service  
800-333-6900

© 2018 Invacare Corporation, Elyria, Ohio.  
All rights reserved. Trademarks are  
identified by the symbols <sup>™</sup> and ®. All  
trademarks are owned by or licensed to  
Invacare Corporation unless otherwise  
noted.  
(Revised 8/13/18)

Form No. 90-147