

# zip'r Breeze

operations manual



**Zip'r™ Mobility LLC**  
**North Bend, WA**  
**(800) 760-9107**  
**[www.zipr.com](http://www.zipr.com)**

**zip'r™**  
**“Simplicity in Mobility”**

This page was created using **Nitro PDF** trial software.  
To purchase, go to <http://www.nitropdf.com/>

# SAFETY TERMS

**Safety words are used throughout this manual to indicate hazards and/or unsafe actions. Please refer to the table below for definitions of the safety words.**

SAFETY WORD	DEFINITION
<b>CAUTION</b>	Caution indicates potentially hazardous situation which, if not avoided, could result in product damage or malfunction
<b>DANGER</b>	Danger indicates a probably hazardous situation which, if not avoided, will result in personal injury, product damage, or malfunction.
<b>PROHIBITED</b>	Prohibited indicates that such actions should not be performed at any time. Performing a prohibited action can cause personal injury, product damage, or malfunction.
<b>REQUIRED</b>	Required indicates that these actions should be performed as specified. Failure to perform required actions can cause personal injury, product damage, or malfunction.
<b>WARNING</b>	Warning indicates a potentially hazardous situation which, if not avoided, could result in personal injury, product damage, or malfunction.

## **IMPORTANT NOTES**

- Please note that the information contained in this document is subject to change without notice. Please see [www.zipr.com](http://www.zipr.com) for updated copies of this manual.
- Failure to follow the instructions, warnings, and notes in this manual and those located on your Zipr Breeze can result in personal injury, product damage, or malfunction and void Zipr's product warranty.
- It is assumed that an authorized Zipr dealer has properly fit the product to the user and has instructed the user on proper use/operation. If you purchased this product over the internet or from a previous owner and you have questions about the safe use and/or proper maintenance then please refer to our website [www.zipr.com](http://www.zipr.com) or contact Zipr directly at (800)760-9107.

# TABLE OF CONTENTS

<b>PRODUCT SPECIFICATIONS.....</b>	<b>Pg. 4</b>
<b>SAFETY.....</b>	<b>Pg. 6</b>
<b>EMI/RFI WARNING.....</b>	<b>Pg. 17</b>
<b>YOUR ZIPR BREEZE .....</b>	<b>Pg. 20</b>
<b>BATTERIES &amp; CHARGING .....</b>	<b>Pg. 24</b>
<b>OPERATION.....</b>	<b>Pg. 29</b>
<b>COMFORT ADJUSTMENTS.....</b>	<b>Pg. 31</b>
<b>DISASSEMBLY &amp; ASSEMBLY.....</b>	<b>Pg. 34</b>
<b>TROUBLESHOOTING.....</b>	<b>Pg. 37</b>
<b>CARE &amp; MAINTENANCE .....</b>	<b>Pg. 39</b>
<b>WARRANTY.....</b>	<b>Pg. 41</b>

**ZIP'R MOBILITY CONTACT INFORMATION**  
**(800)760-9107    www.zipr.com**

**MY AUTHORIZED DEALER:** \_\_\_\_\_

**DEALER TELEPHONE #:** \_\_\_\_\_

**PRODUCT SERIAL #:** \_\_\_\_\_

# PRODUCT SPECIFICATIONS

<b>LENGTH</b>	42 in. or 106.6 cm
<b>WIDTH</b>	23.5 in. or 59.7 cm
<b>WEIGHT W/O BATTERIES</b>	3 wheel = 138 lbs. or 62.6 kg, 4 wheel = 146 lbs.
<b>HEAVIEST DISASSEMBLED PIECE</b>	61 lbs. or 27.6 kg
<b>TURNING RADIUS</b>	3 wheel = 38 in. or 96.5 cm, 4 wheel = 48"
<b>MAX SPEED</b>	Variable up to 4.5 mph or 7.2 kmph
<b>RANGE PER CHARGE*</b>	Up to 20 miles (32 AH batteries) or 32.2 km
<b>GROUND CLEARANCE</b>	3.5 in. or 8.9 cm
<b>WEIGHT CAPACITY</b>	300 lbs. or 136 kg
<b>SEATING</b>	18w x 16d x 16h (in.) or 47.7 x 40.6 x 40.6 (cm)
<b>DRIVE SYSTEM</b>	Rear wheel, sealed transaxle w/24V DC motor
<b>WHEELS</b>	Aluminum alloy
<b>TIRES</b>	Solid: 2.5 in. x 9 in. or 6.3 cm x 22.8 cm
<b>BATTERIES</b>	Two 12V deep cycle, Size (U-1) 32AH
<b>BATTERY CHARGER</b>	Onboard

\* Varies with user weight, terrain type, battery charge, battery condition, and tire pressure.

# PRODUCT SPECIFICATIONS CONTINUED

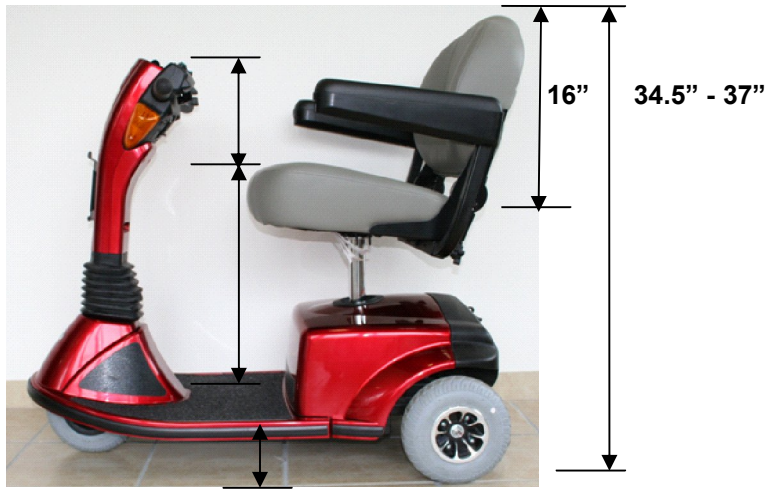


Figure 1 and 1A.

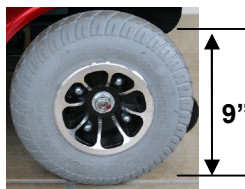


Figure 2.

# SAFETY

## WARNING

Please read and understand these safety instructions and the entire manual before using your Zipr Breeze.

### Important DOs

- **Always** turn the power off when the unit is not in use.
- **Always** make sure your seat is locked before operating the PC.
- **Always** remain seated while driving your Breeze.
- **Always** keep legs and arms within the confines of the Breeze.
- **Always** drive straight up and down inclines.
- **Always** shift your weight in the direction of the turn.
- **Always** be extra cautious when operating the Breeze on wet surfaces and steep inclines or ramps.
- **Always** drive slowly while turning.
- **Always** come to a complete stop before attempting to reverse.
- **Always** use a grounded power receptacle when charging. Use of a non-grounded receptacle could result in an electrical shock.
- **Always** remember chair capacity is limited to one person only. This product is not approved for towing or for weights in excess of the published maximum.
- **Always** be aware of mechanical pinch points when assembling and disassembling your Breeze.

### Important DO NOTs

- **Never** modify the Breeze in any way or use it for a purpose other than intended.
- **Never** attempt to drive over curbs or obstacles. Doing so may cause your Breeze to turn over.
- **Never** leave the power button on when entering or exiting the Breeze.
- **Never** traverse slopes.
- **Never** operate this product if your health or medications you are taking cause you to feel dizzy, affect your vision, or in anyway effect your ability to safely operate the scooter.
- **Never** reverse down a steep hill or incline.
- **Never** park on inclines or declines.
- **Never** stop on an incline. If you must stop on an incline, then always lean forward to shift the center of gravity and prevent the Breeze from tipping over backwards.
- **Never** turn off the power while the Breeze is moving. Doing so will cause the Breeze to come to an abrupt stop.
- **Never** operate your Breeze on streets or other areas with vehicular traffic.
- **Never** hose off your Breeze or leave it uncovered in heavy rain.
- **Never** charge batteries that may be frozen.

# SAFETY CONTINUED

## **REQUIRED**

The Zipr Breeze scooter is an electro mechanical device designed to enhance individual mobility. Please note that the selection and purchasing decision related to the acquisition of the Zipr Breeze is the responsibility of the Zipr Breeze user, who is capable of making such a decision.

The Zipr Breeze user should thoroughly read these safety and operation instructions prior to use. Some users will need to practice operating the Zipr Breeze in the presence of a trained attendant. A trained attendant can be defined as a family member or care professional trained in assisting a Zipr Breeze user in daily living activities. It is important to practice and master safe operations until the user is comfortable in maneuvering around frequently encountered obstacles.

Individual Zipr Breeze users may develop skills to deal with daily living activities that differ from those described in this manual but warnings and cautions given in this manual **MUST** be followed. Operations techniques used in this manual are a starting point for the new scooter user and should be used only as a “basic” guide.

## **WARNING**

### **PRE-RIDE SAFETY CHECK**

Get to know the feel of your Zipr Breeze and its capabilities. Zipr recommends that you perform a safety check before each use to make sure your scooter operates smoothly and safely. For details on how to perform these necessary inspections see the “Care & Maintenance” section of this manual.

Perform the following inspections prior to using your Zipr Breeze:

- Check for proper tire inflation (if equipped with pneumatic tires)
- Check all electrical connections. Make sure they are tight and not corroded.
- Check all controller connections to the utility tray. Make sure they are secured properly.
- Check the brakes.
- Check the battery charge.

If you discover a problem, contact your authorized Zipr provider for assistance.

# SAFETY CONTINUED

## WEIGHT LIMITATIONS

Your Zipr Breeze is rated for a 300-lb. maximum weight limit.

**WARNING! Exceeding the weight limit voids your warranty and may result in personal injury and damage to your scooter. Zipr will not be held responsible for injuries and/or property damage resulting from failure to observe weight limitations.**

**Do not carry passengers on your Zipr Breeze. Carrying passengers may result in personal injury and/or damage.**

## INCLINE INFORMATION

More and more buildings have ramps with specified degrees of inclination, designed for easy and safe access. Some ramps may have turning switchbacks (180-degree turns) that require you to have good cornering skills on your scooter.

- Proceed with extreme caution as you approach the downgrade of a ramp or other incline.
- Take wide swings with your scooter's front wheel around any tight corners. If you do that, the scooter's rear wheels will follow a wide arc, not cut the corner short, and not bump into or get hung up on any railing corners.
- When driving down a ramp, keep the scooter's speed adjustment set to the slowest speed setting to ensure a safely controlled descent. See the "Your Zipr Breeze" section of this manual.

When climbing an incline, try to keep your scooter moving. If you must stop, start up again slowly, and then accelerate cautiously. When driving down an incline, do so by setting the speed adjustment dial to the slowest setting and driving in the forward direction only. If your scooter starts to move down the incline faster than you anticipated or desired, allow it to come to a complete stop by releasing the throttle control lever. Then push the throttle control lever forward slightly to ensure a safely controlled descent.



## SAFETY CONTINUED

**WARNING!** When climbing an incline, do not zigzag or drive at an angle up the face of the incline. Drive your scooter straight up the incline. This greatly reduces the possibility of a tip or a fall. Always exercise extreme caution when negotiating an incline.

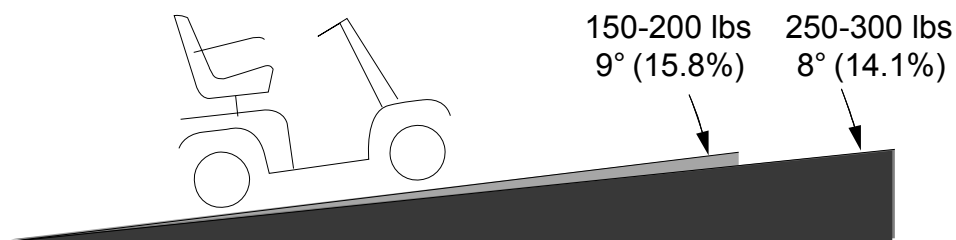
**WARNING!** You should not travel up or down a potentially hazardous incline (i.e., areas covered with snow, ice, cut grass, or wet leaves).

**WARNING!** When on any sort of an incline or decline, never place the scooter in freewheel mode while seated on it or standing next to it.

Other inclines may be natural or, if man-made, not designed specifically for scooters. Figure 3 illustrates your scooter's stability and its ability to climb grades under various weight loads and under controlled testing conditions.

These tests were conducted with the scooter's seat in the highest position and adjusted backward on the seat base to its farthest rearward position. Use this information as a guideline. Your scooter's ability to travel up inclines is affected by your weight, your scooter's speed, your angle of approach to the incline, and your scooter setup.

**FIGURE 3. MAXIMUM RECOMMENDED INCLINE ANGLE  
(8° STANDARD OR 6° WITH REAR BASKET OR OXYGEN TANK)**



**WARNING!** Any attempt to climb or descend a slope steeper than shown in figure 3 may put your scooter in an unstable position and cause it to tip, resulting in personal injury.

**WARNING!** Never place objects weighing more than 13 pounds on the rear of the scooter.

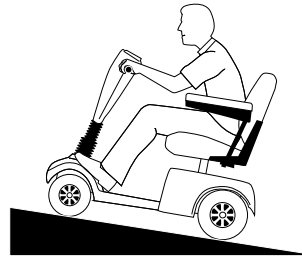
## SAFETY CONTINUED

When you approach an incline, it is best to lean forward. See figures 4 and 4A. This shifts the center of gravity of you and your scooter toward the front of the scooter for improved stability.

**WARNING! Do not exceed the incline guidelines or any other specifications presented in this manual.**



**FIGURE 4.  
NORMAL POSITION**



**FIGURE 4A.  
INCREASED STABILITY**

### CORNERING INFORMATION

Excessively high cornering speeds can create the possibility of tipping. Factors which affect the possibility of tipping include, but are not limited to, cornering speed, steering angle (how sharply you are turning), uneven road surfaces, inclined road surfaces, riding from an area of low traction to an area of high traction (such as passing from a grassy area to a paved area – especially at high speed while turning), and abrupt directional changes. High cornering speeds are not recommended. If you feel that you may tip over in a corner, reduce your speed and steering angle (i.e., lessen the sharpness of the turn) to prevent your scooter from tipping.

**WARNING! When cornering sharply, reduce your speed. When using your scooter at higher speeds, do not corner sharply. This greatly reduces the possibility of a tip or fall. To avoid personal injury or property damage, always exercise common sense when cornering.**

# SAFETY CONTINUED

## **BRAKING INFORMATION**

Your scooter is equipped with two powerful brake systems:

1. Regenerative: Uses electricity to rapidly slow the vehicle when the throttle control lever returns to the center/stop position; and
2. Disc Park Brake: Activates mechanically after regenerative braking slows the vehicle to near stop, or when power is removed from the system for any reason.

## **OUTDOOR DRIVING SURFACES**

Your Zipr Breeze is designed to provide optimum stability under normal driving conditions – dry, level surfaces composed of concrete, blacktop, or asphalt. However, Zipr recognizes that there will be times when you will encounter other surface types. For this reason, your scooter is designed to perform admirably on packed soil, cut grass, and packed gravel.

- Reduce your scooter's speed when driving on uneven terrain and/or soft surfaces.
- Avoid tall grass that can become tangled in the running gear.
- Avoid loosely packed gravel and sand.
- If you feel unsure about a driving surface, avoid that surface.

## **STATIONARY OBSTACLES (STEPS, CURBS, ETC.)**

**WARNING! Do not drive near raised surfaces unprotected ledges, and/or drop-offs (curbs, porches, stairs, etc.).**

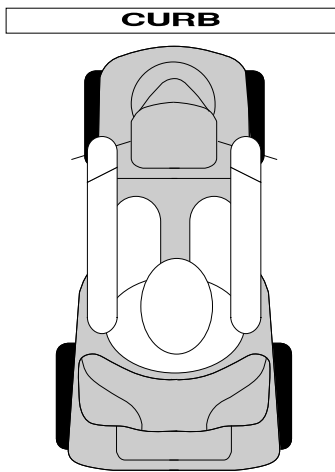
**WARNING! Do not attempt to have your scooter climb or descend an obstacle that is inordinately high. Serious personal injury and/or damage may result.**

**WARNING! Do not have your scooter proceed backward down any step, curb, or other obstacle. This may cause the scooter to tip and cause personal injury.**

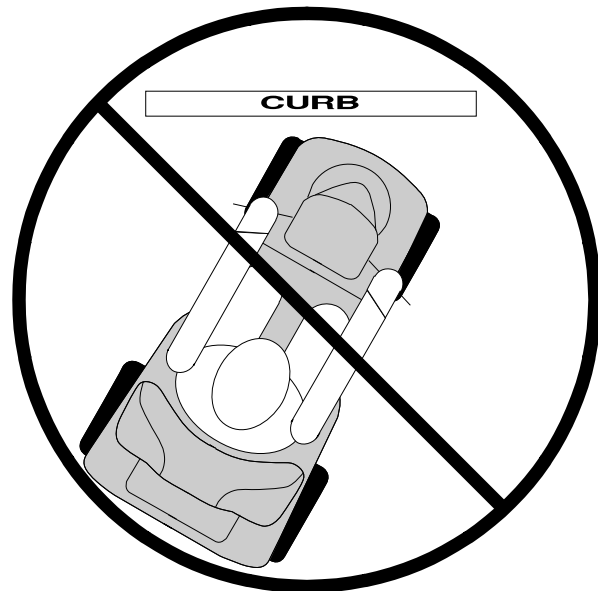
## SAFETY CONTINUED

**WARNING!** Be sure your scooter is traveling perpendicular to any curb you may be required to ascend or descend. See figures 5 and 5A.

**WARNING!** Do not attempt to negotiate a curb that has a height greater than two inches.



**FIGURE 5.**  
**CORRECT APPROACH**



**FIGURE 5A.**  
**INCORRECT APPROACH**

### **PUBLIC ROADS AND PARKING LOTS**

**WARNING!** You should not operate your scooter on public streets and roadways. Be aware that it may be difficult for traffic to see when you are seated on your scooter. Obey all local pedestrian traffic rules. Wait until your path is clear of traffic, and then proceed with extreme caution.

NOTE: Safety flags are available to order from Zipr Mobility and/or your authorized Zipr provider.

### **INCLEMENT WEATHER PRECAUTIONS**

**WARNING!** Zipr recommends that you do not operate your scooter in icy or slippery conditions or on salted surfaces. Such use may result in an accident, personal injury or adversely affect the performance and safety of your scooter.

**WARNING!** Zipr recommends that you do not expose your scooter to any type of moisture at any time (rain, snow, mist, or wash). Such exposure can damage your scooter.

# SAFETY CONTINUED

## **FREEWHEEL MODE**

Your scooter is equipped with a manual freewheel lever that, when pushed down, allows the scooter to be pushed. For more information about how to place your scooter into and out of freewheel mode, see the “Your Zipr Breeze” section of this manual.

**WARNING! Do not use your scooter in freewheel mode without an attendant present. Personal injury may result.**

**WARNING! Do not attempt to place your scooter in freewheel mode while seated on it. Personal injury may result. Ask an attendant for assistance if necessary.**

**WARNING! Do not place your scooter in freewheel mode while on an incline. The scooter could roll uncontrollably on its own, causing personal injury.**

An added feature built into the Zipr Breeze is “push-too-fast” protection which safeguards the scooter against gaining excessive speed while in freewheel mode.

“Push-too-fast” operates differently depending on which of two conditions exists:

- If the key is switched “off” when in freewheel mode, the scooter’s controller activates regenerative braking when the scooter is pushed faster than a maximum threshold which has been preprogrammed. In this case, the controller is acting as a speed governor.
- If the key is switched “on” while in freewheel mode you will encounter considerable resistance at any speed. This prevents the scooter from gaining unwanted momentum should the manual freewheel lever inadvertently be released while driving the scooter.

## **STAIRS AND ESCALATORS**

The Zipr Breeze is not designed to travel up and down stairs or escalators. Always use an elevator.

**WARNING! Never use your scooter to negotiate steps or escalators. You may cause injury to yourself and to others and damage your Zipr Breeze.**

# SAFETY CONTINUED

## DOORS

1. Determine if the door opens toward or away from you.
2. Use your hand to turn the knob or push the handle or push-bar.
3. Drive your scooter gently and slowly forward to push the door open. Or drive you scooter gently and slowly backwards to pull the door open.

## ELEVATORS

Modern elevators have a door edge safety mechanism that, when pushed, reopens the elevator door(s).

- If you are in the doorway of an elevator when the door(s) begin to close, push on the rubber door edge or allow the rubber door edge to contact the scooter and the door will reopen.
- Use care that pocketbooks, packages, or scooter accessories do not become caught in elevator doors.

## LIFT/ELEVATION PRODUCTS

If you will be traveling with your Zipr Breeze, you may find it necessary to use a lift/elevation product to aid in transportation. Zipr recommends that you closely review the instructions, specifications, and safety information set forth by the manufacturer of the lift/elevation product before using that product.

## BATTERIES

In addition to following the warnings below, be sure to comply with all other battery handling information. For more information about your Zipr Breeze batteries, see the “Batteries & Charging” section of this manual.

**WARNING! Battery posts, terminals, and related accessories contain lead and lead compounds. Wash hands after handling.**

**WARNING! Always protect the batteries from freezing and never charge a frozen battery. Charging a frozen battery may result in personal injury and/or damage to the battery.**

# SAFETY CONTINUED

## PREVENTING UNINTENDED MOVEMENT

**WARNING!** If you anticipate being seated in a stationary position for an extended period of time, turn off the power to your scooter. This will prevent unexpected motion from inadvertent throttle control lever contact. Failure to do so may result in personal injury.

## MOTOR VEHICLE TRANSPORT

Currently, there are no standards approved for tie-down systems in a moving vehicle of any type to transport a person while seated in Zipr Breeze.

Although your scooter may be equipped with a positioning belt, this belt is not designed to provide proper restraint during motor vehicle transport. Anyone traveling in a motor vehicle should be properly secured in the motor vehicle seat with safety belts fastened securely.

**WARNING!** Do not sit on your scooter while it is in a moving vehicle. Personal injury and/or property damage may result.

**WARNING!** Always be sure your scooter and its batteries are properly secured when it is being transported. Failure to do so may result in personal injury and/or damage to your Zipr Breeze.

## GETTING ONTO AND OFF OF YOUR SCOOTER

Getting onto and off of your scooter requires a good sense of balance. Please observe the following safety tips when getting onto and off of your scooter:

- Power down your scooter, see the “Operations” section of this manual.
- Ensure that your scooter is not in freewheel mode, see the “Your Zipr Breeze” section of this manual
- Make certain that the seat is locked into place and the key is removed from the key switch.
- The seat armrests can be flipped up to make getting onto and off of the scooter easier.

**WARNING!** Position yourself as far back as possible in the scooter seat to prevent the scooter from tipping and causing injury. Avoid putting all of your weight on the floorboard. Such use may cause the scooter to tip and cause personal injury.

**WARNING!** Avoid using your armrests for weight bearing purposes. Such use may cause the scooter to tip and cause personal injury.

# SAFETY CONTINUED

## POSITIONING BELTS

Your authorized Zipr provider and other healthcare professionals are responsible for determining your requirement for a position belt in order to operate your scooter safely.

**WARNING! If you require a positioning belt to safely operate your Zipr Breeze, make sure it is fastened securely. Serious personal injury may result if you fall from the Zipr Breeze.**

## REACHING AND BENDING

Avoid reaching or bending while driving your Zipr Breeze. When reaching, bending, or leaning while seated on your Zipr Breeze, it is important to maintain a stable center of gravity and keep the scooter from tipping. Zipr recommends that the scooter user determine his/her personal limitations and practice bending and reaching in the presence of a qualified healthcare professional.

**WARNING! Do not bend, lean, or reach for objects if you have to pick them up from the floor by reaching down between your knees. Movements such as these may change your center of gravity and the weight distribution of the scooter and cause your scooter to tip, possibly resulting in personal injury. Keep your hands away from the tires when driving.**

## PRESCRIPTION DRUGS/PHYSICAL LIMITATIONS

The scooter user must exercise care and common sense when operating his/her Zipr Breeze. This includes awareness of safety issues when taking prescribed or over-the-counter drugs or when the user has specific physical limitations.

**WARNING! Consult your physician if you are taking prescribed or over-the-counter medication or if you have certain physical limitations. Some medications and limitations may impair your ability to operate your scooter in a safe manner.**

## ALCOHOL

**WARNING! Do not operate your scooter while you are under the influence of alcohol, as this may impair your ability to drive safely.**

## REMOVABLE PARTS

**WARNING! Do not attempt to lift or move your scooter by any of its removable parts. Personal injury and damage to the scooter may result.**



# EMI/RFI

## EMI/RFI WARNINGS

Laboratory tests performed by the Food and Drug Administration (FDA) have shown that radio waves can cause unintended motion of electric mobility vehicles. Radio waves are a form of electromagnetic energy (EM). When electromagnetic energy adversely affects the operation of an electrical device, that adverse effect is called *Electromagnetic Interference (EMI)* or *Radio Frequency Interference (RFI)*.

## EMI/RFI FREQUENTLY ASKED QUESTIONS (FAQS)

The following FAQs summarize what you should know about EMI/RFI. Use this information to minimize the risk that EMI/RFI will adversely affect your mobility vehicle.

### Where do radio waves come from?

Radio waves are emitted from the antennas of cellular phones, mobile two-way radios (such as walkie-talkies and CBs), radio stations, TV stations, amateur radio transmitters, wireless computer links, microwave sources, and paging transmitters. Radio waves are a form of electromagnetic energy (EM). EM is more intense closer to transmitting antennas, which are sources of emissions. The greater the transmission strength, the greater the concern to electric mobility vehicle users.

### If EMI/RFI affects my mobility vehicle, what kind of motion should I expect?

This is difficult to predict. The answer would depend on a number of factors:

- The strength of the radio waves.
- The construction of your particular mobility vehicle.
- The location of your mobility vehicle (whether it is on level ground/incline).
- Whether or not your mobility vehicle is in motion.

The motion of any electric mobility vehicle affected by EMI/RFI can be erratic. The mobility vehicle may come to a sudden stop or move in an uncontrolled manner. Also, it is possible for EMI/RFI to release the brakes of an electric mobility vehicle. Some intense EMI/RFI can even damage the control system components of an electric mobility vehicle.

### Is there any way to know for certain whether or not radio waves are the cause of any unintended mobility vehicle motion?

Unfortunately, EMI/RFI may be difficult to recognize, because the signals from radio sources are invisible and may be intermittent. However, the FDA recommends that you report all incidents of unintended motion or unintended brake release of your mobility vehicle to its manufacturer and, if possible,

## EMI/RFI CONTINUED

determine whether or not there was a radio wave source nearby at the time of the incident.

One precaution you can take against unintended motion of your mobility vehicle is to make certain that your or someone else is not the cause of the unintended motion.

- Turn off your mobility vehicle by removing the key from the key switch when you are getting onto or off of your mobility vehicle.
- Never leave the key in the key switch of an unattended mobility vehicle.
- By following these steps, you greatly reduce the risk of you or anyone else inadvertently bumping the throttle control levers and causing the mobility vehicle to move unintentionally.

### **Has anyone been injured by the erratic, unintended motion of an electric mobility vehicle?**

The FDA has reports of injuries that resulted from uncontrolled motion of electric mobility vehicles, but it is not clear just how many of those injuries were actually caused by EMI/RFI.

### **Are all electric mobility vehicles susceptible to EMI/RFI?**

Each make and model of electric vehicle differs in its ability to resist EMI/RFI. Every mobility vehicle has a particular level of resistance to EMI/RFI. This resistance is measured in volts per meter (V/m). A higher resistance level offers greater protection against EMI/RFI. In other words, an electric mobility vehicle with a high resistance level is less likely to be affected by a strong radio source than is an electric mobility vehicle with a low resistance level.

### **What is the FDA doing about the problem?**

The FDA has written to electric mobility vehicle manufacturers and requested that those manufacturers test their new mobility vehicle models to be certain that they provide a reasonable degree of resistance against EMI/RFI. The FDA has stated that all newly manufactured electric mobility vehicle models should have a resistance level of at least 20V/m. This level of resistance provides a reasonable degree of protection against the common sources of EMI/RFI.

The FDA has also requested or recommended that:

- Electric mobility vehicle manufacturers clearly label new products with their resistance level or state that the resistance level is not known.
- The labeling or informational material supplied with new electric mobility vehicles must explain what the resistance level means and warn users about the possibility of EMI/RFI and how to avoid it.
- Electric mobility vehicle manufacturers undertake an educational program to inform electric mobility vehicle users and their caregivers about the problems associated with EMI/RFI and about the actions they can take.

## EMI/RFI CONTINUED

- While there is no exact way to tell if your mobility vehicle is totally safe, an immunity level of 20V/m is generally achievable and useful. This scooter has been tested and passed at an immunity level of 20V/m.

### **What can I do to find out if my mobility vehicle is likely to be affected by EMI/RFI?**

If you have had your mobility vehicle for some time and have not experienced any unintended motion, it is not likely that you will have a problem in the future. However, it is always possible that EMI/RFI problems could arise if you are close to a source of radio waves. Therefore, it is very important for you to be alert to this possibility. The mobility vehicle meets or exceeds a resistance level of at least 20V/m.

### **What can I do to reduce the risk of my mobility vehicle being affected by EMI/RFI?**

Here are some precautions you can take:

- Do not turn on or use hand-held personal communications devices, such as citizens band (CB) radios and cellular phones, while your mobility vehicle is turned on.
- Be aware of nearby radio wave transmitters, such as radio or TV stations and hand-held or mobile two-way radios. Try not to operate your mobility vehicle too close to those transmitters. For example, if you are on an electric mobility vehicle with a resistance level of at least 20V/m, you should remain at least three feet from a hand-held two-way radio and at least ten feet from a mobile two-way radio.
- Be aware that adding accessories and/or components, or modifying your mobility vehicle in any way, may change its EMI/RFI resistance level and may make it more susceptible to interference from radio wave sources.

### **What should I do if my mobility vehicle moves unexpectedly?**

If unintended motion or unintended brake release occurs, turn off your mobility vehicle (by removing the key) as soon as it is safe to do so.

### **If my mobility vehicle moves unintentionally, where should I report the incident?**

Call Zipr Mobility Service Department at (800) 760-9107 to report the incident.

# YOUR ZIPR BREEZE

## TILLER CONSOLE

The tiller console houses all of the controls needed to drive your scooter, including the speed adjustment dial, throttle control levers, battery condition meter, running lights switch, hazard light switch, turn signal buttons, status LED, and horn buttons. See figure 6 and 6a.

**WARNING!** Do not expose the tiller console to moisture. In the event that the tiller console does become exposed to moisture, do not attempt to operate your scooter until the tiller console has dried thoroughly.

Running Light Switch



Key Switch

Battery Condition Meter

Speed Adjustment Dial

Horn Button

Turn Signal Button

Hazard Light Switch

Throttle Control Lever (Reverse)

Throttle Control Lever (Forward)

5-AMP Fuse

Tiller Release Lever

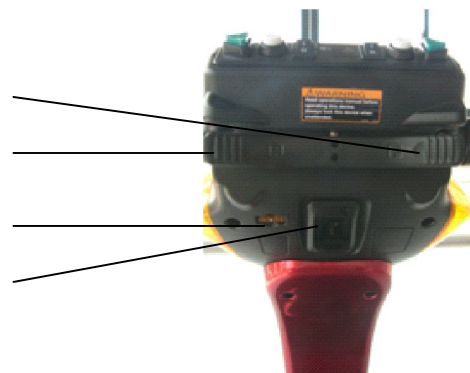


FIGURE 6 & 6A. TILLER CONSOLE

### Key Switch

- Insert the key into the key switch and turn it clockwise to turn on your scooter.
- Turn the key counterclockwise to turn off your scooter.

**WARNING!** If the key is moved to the off position while your Zipr Breeze is in motion, the electric brakes engage and your scooter will come to an abrupt stop!

# YOUR ZIPR BREEZE CONTINUED

## Throttle Control Levers

These levers allow you to control the forward speed and the reverse speed of your scooter up to the maximum speed you preset with the speed adjustment dial.

- Place your right hand on the right handgrip and your left hand on the left handgrip.
- Use your right thumb to push the right side of the lever to disengage your scooter's brakes and move forward.
- Release the lever and allow your scooter to come to a complete stop before pushing the other side of the lever to move in reverse.
- When the throttle is completely released, it automatically returns to the center "stop" position and engages your scooter's brakes.

## Speed Adjustment Dial

This dial allows you to preselect and limit your scooter's top speed.

- The image of the tortoise represents the slowest speed setting and the image of the hare represents the fastest speed setting.

## Running Light Switch

This switch controls your scooter's front and rear running lights.

- Toggle the switch forward to turn on your scooter's running lights and toggle the switch back to turn off the scooter's running lights.

## Horn Button

The key must be fully inserted into the key switch for the horn to be operational.

- This button activates a warning horn.
- Do not hesitate to use the warning horn when doing so may prevent accident or injury.

## Hazard Light Switch

This switch activates the 4-way flashers on your scooter.

- Toggle the switch forward to turn on the flashers and toggle the switch back to turn off the flashers.

## Turn Signal Buttons

- Press the appropriate turn signal button once to activate it. The signals are timed to shut off automatically.

## Status LED

The status LED will alert you to electrical problems that may occur with the scooter. The LED remains constantly lit while your scooter is on. If the scooter develops an electrical problem, the status LED will flash a code. See the "Troubleshooting" section of this manual. If the status LED flashes a code other than a code listed then contact Zipr Mobility at (800) 760-9107.

# YOUR ZIPR BREEZE CONTINUED

## REAR SECTION

The onboard battery charger (not shown), the charger power cord receptacle, the batteries (not shown), the main circuit breaker reset button, the ammeter, the manual freewheel lever, the anti-tip wheels and the motor/transaxle assembly are located on the rear section of your Zipr Breeze. See figure 7.



**FIGURE 7. REAR SECTION**

### Charger Power Cord Receptacle

The charger power cord plugs into your Zipr Breeze battery charger by means of the charger power cord receptacle.

### Ammeter

During charging, the ammeter indicates the charging rate, or how hard the charger is working to charge the Zipr Breeze batteries. See the “Batteries & Charging” section of this manual.

### Main Circuit Breaker (Reset Button)

When the voltage in your Zipr Breeze’s batteries becomes low or the scooter is heavily strained because of excessive loads or steep inclines, the main circuit breaker may trip to protect the motor and electronics from damage.

- The main circuit breaker reset button pops out when the breaker trips.
- When the breaker trips, the entire electrical system shuts down.
- Allow a minute or two for your scooter’s electronics to “rest”.
- Push the reset button to reset the main circuit breaker.
- If the main circuit breaker trips frequently, you may need to charge your batteries more often. You may also need to have your authorized Zipr provider perform a load test on the Zipr Breeze batteries.
- If the main circuit breaker trips repeatedly, see your authorized Zipr provider for service or call (800) 760-9107.

# YOUR ZIPR BREEZE CONTINUED

## Manual Freewheel Lever

Whenever you need or want to push your scooter for short distances, you can put it in freewheel mode..

- The manual freewheel lever is located on the end of the motor/transaxle assembly at the right rear of the Zipr Breeze. See figure 7.
- Remove the key from the key switch.
- Push down on the manual freewheel lever to disable the drive system and the brake system.
- You may now push your Zipr Breeze in freewheel mode.
- Pull up on the manual freewheel lever to reengage the drive and the brake systems and take your scooter out of freewheel mode.

**WARNING! Never operate the manual freewheel lever while seated on the scooter or when the scooter is on an incline.**

- **Only put the scooter in freewheel mode when on a flat surface with the key removed.**
- **Push DOWN FIRMLY on the manual freewheel lever when putting the scooter into freewheel mode.**
- **Pull UP FIRMLY to engage to drive mode.**

**WARNING! Before placing your scooter into or taking it out of freewheel mode, make certain that the key is removed from the key switch. Never sit on a scooter when it is in freewheel mode. Never put a scooter in freewheel mode on any incline.**

NOTE: If the scooter is placed in freewheel mode (lever down) while the key is in the on position, the scooter will not run until the manual freewheel lever is pulled up and the key is turned to the off position, then back to the on position.

## Batteries (not shown)

The batteries store electrical energy that powers your Zipr Breeze. See “Batteries & Charging” in this manual for details.

## Anti-Tip Wheels

The anti-tip wheels are an integral and important safety feature of your Zipr Breeze. Do not, under any circumstances, remove the anti-tip wheels from your scooter.

## Motor Transaxle Assembly

The motor/transaxle assembly is an electromechanical unit that converts electrical energy from your Zipr Breeze’s batteries into the controlled mechanical energy that drives the Zipr Breeze’s wheels.

# BATTERIES & CHARGING

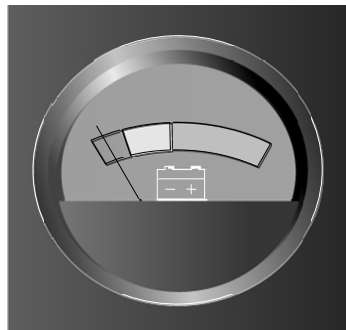
Your Zipr Breeze requires two sealed, maintenance free 12-volt, 32 AH batteries.

- Charge the batteries prior to using your scooter for the first time.
- Keeping the batteries fully charged will keep your scooter running well.

## READING YOUR BATTERY VOLTAGE

The battery condition meter on the tiller console indicates the approximate strength of your batteries using a color code. See figure 8. Green indicates fully charged batteries, yellow indicates a draining charge, and red indicates that an immediate recharge is necessary. To check the charge, you must first unplug the charger power cord and power up your scooter. To ensure the highest accuracy, the battery condition meter should be checked while operating your scooter at full speed on a dry, level surface.

You can also check the charge using the ammeter located on the rear of the scooter. The charger power cord must be plugged into a standard wall outlet in order to obtain a reading. When the amperage reading is at or near zero amps, the battery charging is complete. See figure 9.



**FIGURE 8. BATTERY  
CONDITION METER**



**FIGURE 9. AMMETER**

## CHARGING YOUR BATTERIES

Follow these easy steps to charge your batteries safely:

1. Position your scooter close to a standard wall outlet.
2. Remove the key from the key switch.
3. Make certain the manual freewheel lever is in the drive (up) position.
4. Plug the charger power cord into the charger power cord receptacle.
5. Extend the charger power cord and plug it into the wall outlet. It is recommended that you charge your batteries for 8-14 hours.
6. When the batteries are fully charged, unplug the charger power cord from the wall outlet and then from the charger power cord receptacle.



# BATTERIES & CHARGING CONTINUED

**WARNING!** Never use an extension cord to plug in your battery charger. Plug the charger directly into a properly wired standard wall outlet.

NOTE: There is a charger inhibit function on your scooter. The scooter will not run and the battery condition meter will not operate while the batteries are charging.

## BATTERIES AND CHARGING – FREQUENTLY ASKED QUESTIONS (FAQS)

### How does the charger work?

When your scooter's battery voltage is low, the charger works harder and sends more electrical current to the batteries to bring up their charge. As the voltage of the batteries approaches a full charge, the charger sends less and less electrical current to the batteries. When the batteries are fully charged, the current sent to them from the charger is at nearly zero amperage. Therefore, when the charger is plugged in, it maintains the charge on your scooter's batteries, but does not overcharge them. We do not recommend that you charge your scooter's batteries for more than 24 consecutive hours.

### What if the scooter's batteries won't charge?

- Be sure the battery cables are connected properly.
- Ensure both ends of the charger cord are inserted fully.

### Can I use a different charger?

- For the safest, most efficient and balanced charging of your scooter's batteries, we prefer and highly recommend the simultaneous charging of both batteries by use of the onboard battery charger.

### How often must I charge the batteries?

Two major factors must be considered when deciding how often to charge your scooter's batteries:

- All day scooter use on a daily basis.
- Infrequent or sporadic scooter use.

With these considerations in mind, you can determine just how often and for how long you should charge your scooter's batteries. We designed the onboard charger so that it will not overcharge your scooter's batteries (do not charge them for more than 24 consecutive hours). However, you may encounter some problems if you do not charge your batteries often enough and if you do not charge them on a regular basis.

# BATTERIES & CHARGING CONTINUED

Following the five guidelines below will provide safe and reliable battery operation and charging:

- If you use your scooter daily, charge its batteries as soon as you finish using it for the day. Your scooter will be ready each morning to give you a “full day” of service. We recommend that you charge your scooter’s batteries for 8 to 14 hours after daily use.
- If you use your scooter once a week or less, charge its batteries at least once a week for 12 to 14 hours at a time.
- Keep your scooter’s batteries fully charged.
- Avoid deeply discharging your scooter’s batteries.
- Do not charge your scooter’s batteries for more than 24 consecutive hours.

## How can I get maximum range or distance per charge?

Rarely will you have ideal driving conditions-smooth, flat, hard driving surfaces with no wind or curves. You will often face hills, sidewalk cracks, uneven and loosely packed surfaces, curves, and wind. All of these driving conditions affect the distance or running time per battery charge. Below are a few suggestions for obtaining the maximum range per battery charge.

- Always fully charge your scooter’s batteries prior to your daily use.
- Maintain proper pressure in all of your scooter’s tires (pneumatic tires only)
- Plan your route ahead to avoid as many hills, cracked, broken, or soft surfaces as possible.
- Limit your baggage weight to essential items.
- Try to maintain an even speed while your scooter is in motion.
- Avoid stop-and-go driving.

## What type and size of battery should I use?

We recommend deep cycle batteries that are sealed and maintenance free. Both sealed lead-acid and gel cell are deep-cycle batteries that are similar in performance. Do not use wet-cell batteries, which have removable caps.

**CAUTION! Do not remove the caps from sealed batteries. Water cannot be added to sealed batteries. Cap removal may cause damage to the batteries and to your scooter.**

## Use these specifications to reorder deep-cycle batteries:

Type: Deep-cycle (sealed lead-acid or gel cell)  
Size: U-1, 32AH  
Voltage: 12 volts each  
Amperage: 32 AH (amp hours)

# BATTERIES & CHARGING CONTINUED

To change a battery in your scooter:

**WARNING! Battery posts, terminals, and related accessories contain lead and lead compounds. Wash hands after handling.**

1. Remove the seat and the rear shroud. See “Disassembly & Assembly” section of this manual.
2. Disconnect the battery strap.
3. Disconnect the battery harness from the rear electronics module.
4. Disconnect the battery cables from the battery terminals.
5. Remove the old battery.
6. Place a new battery in the battery well.
7. Connect the red battery cable to the positive (+) battery terminal.
8. Connect the black battery cable to the negative (-) battery terminal.
9. Reconnect the battery harness to the rear electronics module.
10. Reconnect the battery strap.
11. Reinstall the rear shroud and seat.

## Why do my new batteries seem weak?

Deep-cycle batteries employ a different chemical technology than that used in car batteries, nickel-cadmium batteries (nicads), or in other battery types. Deep-cycle batteries are specifically designed to provide power, drain down their charge, and then accept a relatively quick recharge.

Zipr Mobility works closely with our battery manufacturers to provide batteries that best suit your scooter’s specific electrical demands. During shipping, the batteries may encounter temperature extremes that may influence their initial performance. Heat diminishes the charge on the battery; cold slows the available power and extends the time needed to recharge the battery.

It may take a few days for the temperature of your scooter’s batteries to stabilize and adjust to their new room or ambient temperature. More importantly, it takes a few charging cycles to establish the critical chemical balance that is essential to a deep-cycle battery’s peak performance and long life.

# BATTERIES & CHARGING CONTINUED

Please follow these steps to properly break in your scooter's new batteries for maximum efficiency and service life:

1. Fully recharge any new battery prior to its initial use. This charging cycle brings the battery up to about 88% of its peak performance level.
2. Operate your new scooter in familiar and safe areas. Drive slowly at first, and do not travel too far from your home or familiar surroundings until you have become accustomed to your scooter's controls and have properly broken in your scooter's batteries.
3. Fully recharge the batteries. They should be at over 90% of their peak performance level.
4. Operate your scooter again.
5. Fully recharge the batteries again.
6. After four or five charging cycles, the batteries are able to receive a charge of 100% of their peak performance level and are able to last for an extended period of time.

## **How can I ensure maximum battery life?**

Fully charged deep-cycle batteries provide reliable performance and extended battery life. Keep your scooter's batteries fully charged whenever possible. Batteries that are regularly and deeply discharged, infrequently charged, or stored without a full charge may be permanently damaged, causing unreliable performance and limited service life.

## **How should I store my scooter and its batteries?**

See the "Care & Maintenance" section of this manual.

## **What about public transportation?**

If you intend to use public transportation while using your scooter, you must contact in advance the transportation provider to determine their specific requirements.

# OPERATIONS

## BEFORE GETTING ONTO YOUR SCOOTER

- Have you fully charged the batteries?
- Is the manual freewheel lever in the drive (up) position? Never leave the manual freewheel lever pushed down unless you are manually pushing your scooter.

**WARNING! Never attempt to get onto or off of your scooter without first removing the key from the key switch. This prevents the scooter from moving if accidental throttle control lever contact is made.**

## GETTING ONTO YOUR SCOOTER

1. Make certain that the key is removed from the key switch.
2. Stand at the side of your scooter.
3. Pull up on the seat lock lever and rotate the seat until it is facing you.
4. Make certain that the seat is locked securely in position.
5. Position yourself comfortably and securely in the seat.
6. Pull up on the seat lock lever and rotate the seat until you are facing forward.
7. Make certain that the seat is locked securely in position.
8. Make certain that your feet are safely on the floorboard.

## PRE-RIDE ADJUSTMENTS AND CHECKS

- Is the seat at the proper height? See the “Comfort Adjustments” section of this manual.
- Is the tiller handle at a comfortable setting and locked securely in place? See the “Comfort Adjustments” section of this manual.
- Is the key inserted in the key switch and in the on position?
- Does the scooter’s horn work properly?
- Is your proposed path clear of people, pets, and obstacles?
- Have you planned your route to avoid adverse terrain and as many inclines as possible?

## OPERATING YOUR SCOOTER

After planning your route:

- Set the speed adjustment dial to your desired speed.
- Press your thumb against the appropriate throttle control lever.
- The electromechanical disc brake automatically disengages and the scooter accelerates smoothly to the speed you preselected with the speed adjustment dial.
- Pull on the left handgrip to steer your scooter to the left. Pull on the right handgrip to steer your scooter to the right.
- Move the tiller to the center position to drive straight ahead.

## OPERATIONS CONTINUED

- Release the throttle control lever to decelerate and come to a complete stop.
- The electromechanical disc park brake automatically engages when your scooter comes to a stop.

### GETTING OFF OF YOUR SCOOTER

1. Bring your scooter to a complete stop.
2. **Make certain that the key is removed from the key switch.**
3. Pull up on the seat lock lever and rotate the seat until you are facing toward the side of your scooter.
4. Make certain that the seat is locked securely in position.
5. Carefully and safely get out of the seat and stand to the side of your scooter.
6. You can leave the seat facing to the side to facilitate boarding your scooter the next time you wish to operate it.

# COMFORT ADJUSTMENTS

**WARNING!** Remove the key from the key switch before adjusting the tiller or the seat. Never attempt to adjust the tiller or the seat while the scooter is in motion.

## TILLER ANGLE ADJUSTMENT

Your scooter is equipped with a pivoting tiller that allows adjustment to several positions from the scooter deck to the furthest forward stop.

1. Lift the tiller adjustment lever. (Figure 10)
2. Move the tiller to a comfortable position.
3. Release the tiller adjustment lever to secure the tiller in position.



**FIGURE 10.  
TILLER  
ADJUSTMENT**

## Lowering The Tiller To The Scooter Deck

NOTE: In order to lower the tiller to the scooter deck, you must first remove the seat and batteries. See the "Disassembly & Assembly" section of this manual.

**CAUTION!** Do not attempt to forcefully lower the tiller if its not in the proper lowering position. Excessive force can possibly damage the tiller adjusting mechanism.

1. Turn the scooter tiller to the right so the tiller, when lowered, will be to the left of the seat post. (Figure 10A).
2. Pull up on the tiller adjustment lever and lower the tiller slowly toward the scooter deck. (Figure 10B).



**FIGURE 10A.  
LOWER THE  
TILLER**

NOTE: When the tiller is past the last locking stop, you can release the tiller adjustment lever. The tiller will not stop again until it reaches it's lowest point.



**FIGURE 10B.  
LOWEST  
TILLER  
POSITION**

## COMFORT ADJUSTMENTS CONTINUED

When the tiller reaches its lowest point you will hear a positive click. The tiller is now locked.

### RAISING THE TILLER

In order to raise the tiller you must lift up on the tiller adjustment lever. Continue to hold the tiller adjustment lever up until the tiller reaches the position you desire. Then release lever to lock.

### SEAT ROTATION

The seat lock lever locks the seat in one of four positions.

1. Pull up on the seat lock lever to unlock the seat.
2. Rotate the seat to the desired position.
3. Release the seat lock lever to lock the seat securely in place.

### FRONT-TO-BACK SEAT ADJUSTMENT

You can reposition the scooter's seat forward or rearward to one of three settings thereby adjusting the distance between the seat and the tiller. (Figure 11).

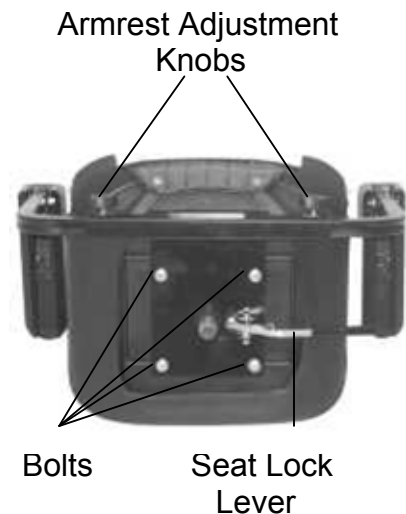
1. Remove the seat from your scooter
2. Remove the four bolts that fasten the seat to the seat platform. (Figure 11).
3. Align the seat platform with the desired set of holes on the seat.
4. Replace and tighten the four bolts securely.

### ARMREST WIDTH ADJUSTMENT

The scooter armrest width can be adjusted inward or outward.

1. Loosen the armrest adjustment knobs at the back of the seat frame. (Figure 11).
2. Slide the armrests in or out the desired width.
3. Tighten the armrest adjustment knobs as required.

The armrests can also be lifted upward to aid in getting onto and off of your scooter.



**FIGURE 11.**  
**SEAT**  
**ADJUSTMENTS**

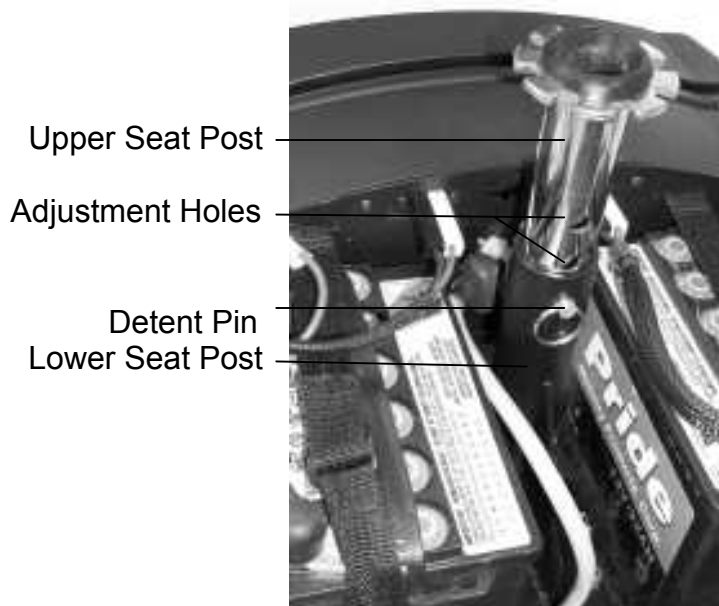


## COMFORT ADJUSTMENTS CONTINUED

### SEAT HEIGHT ADJUSTMENT

The seat can be repositioned to three different heights. (Figure 12).

1. Remove the seat from your scooter. See “Disassembly & Assembly” section of this manual.
2. Use the attached ring to pull and remove the detent pin from the lower seat post.
3. Raise or lower the upper seat post to the desired seat height.
4. While holding the upper seat post at the height, match up the adjustment holes in the upper and lower seat post.
5. Fully insert the detent pin.
6. Replace the seat.



**FIGURE 12. SEAT HEIGHT ADJUSTMENT**

# DISASSEMBLY & ASSEMBLY

## DISASSEMBLY

You can disassemble the scooter into seven pieces: the seat, the front section, the rear section, the rear shroud, the basket, and the batteries. Place the scooter in an area where you have sufficient clearance to move the parts around. You may need assistance to lift some of the scooter components.

No tools are required to disassemble or assemble your scooter. Always disassemble or assemble your scooter on a level, dry surface with sufficient room for you to work and move around your scooter. Keep in mind that the disassembled sections of the scooter take up more floor space than the assembled scooter.

**WARNING! Lifting weight beyond your physical capability may result in personal injury. Ask for assistance when necessary while disassembling your scooter.**

1. Place the manual freewheel lever in the drive (up) position.
2. Coil the charger power cord and store it for future use.
3. Pull up on the seat lock lever and lift the seat straight up and off the scooter. (Figure 13).
4. Gently pull the shroud away from the frame and lift it off of the scooter. The shroud is held on with Velcro strips. (Figure 14).
5. Disconnect the battery straps.
6. Unplug both black and white 2-pin battery harnesses (Figure 15).



**FIGURE 13. REMOVING SEAT**



**FIGURE 14. REAR SHROUD REMOVAL**

Battery Harnesses

Straps



**FIGURE 15. BATTERY HARNESS**

## DISASSEMBLY & ASSEMBLY CONTINUED

- Unplug the front-to-rear wire harness that connects the tiller console to the rear electronics module. (Figure 16).



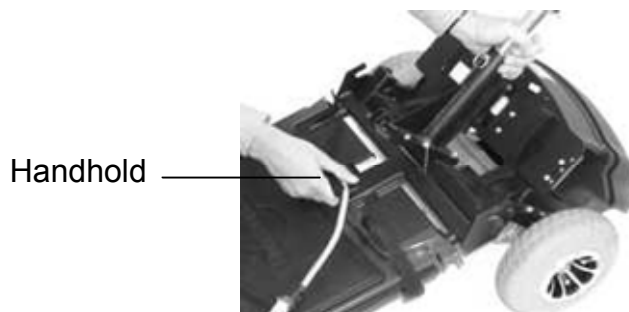
**FIGURE 16. FRONT-TO-REAR HARNESS**

- Lift both batteries off the scooter.
- Remove the detent pin that secures the front and rear sections together. (Figure 17).



**FIGURE 17. DETENT PIN REMOVAL**

- Completely lower the tiller to the center of the scooter chassis. **NOTE:** *Steer the tiller to the right before lowering it. The tiller will sit slightly to the left when fully lowered.*



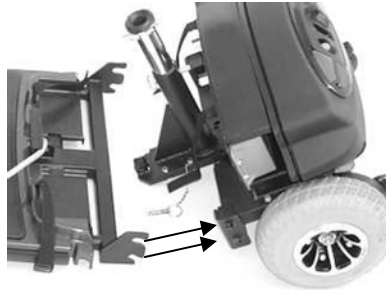
**FIGURE 18. FRAME SEPARATION**

- Pull up on the handhold (located in front section) and push back on the seat post to gently separate the sections. (Figure 18)

# DISASSEMBLY & ASSEMBLY CONTINUED

## ASSEMBLY

1. Place the manual freewheel lever in the drive (up) position.
2. Position the front and rear sections of your scooter as shown. (Figure 19)



**FIGURE 19. FRAME POSITION**

3. Align the lower slots on the rear of the front section onto the corresponding pegs on the front of the rear section. (Figure 20)
4. Gently pull on the seat post on the rear section of your scooter, so the rear section pivots into place.



**FIGURE 20. CONNECTING THE FRAME HALVES**

5. Secure the front and rear sections with the ball detent pin.
6. Raise the tiller into position.
7. Plug the front-to-rear harness into the mating plug found on the rear electronics module.
8. Put the batteries in place and plug the black and white 2-pin battery harnesses into the rear electronics module.
9. Reconnect the battery straps.
10. Gently place the rear shroud over the seat post.
11. Lower the shroud into place.
12. Carefully lift the seat and slide the seat platform onto the seat pedestal.
13. Rotate the seat until it locks into place.

# TROUBLESHOOTING

Any electromechanical device occasionally requires some troubleshooting. However, most of the problems that may arise can usually be solved with a bit of thought and common sense. Many of these problems occur because the batteries are not fully charged or because the batteries are worn down and can no longer hold a charge.

## DIAGNOSTIC FLASH CODES

The diagnostic flash codes for your scooter are designed to help you perform basic troubleshooting quickly and easily. A diagnostic flash code will flash from the status LED (located on the dash board) in the event one of the conditions listed below develops.

*NOTE: Your scooter will not run unless the flash code condition is resolved and the scooter has been turned on.*

FLASH CODE	CONDITION	SOLUTION
* ****	Batteries are too low to operate the scooter or the charger is operating.	Charge batteries or unplug the charger power cord.
**	Controller is hot; the scooter seems to be losing power.	Shut down your scooter for a minimum of several minutes to allow the controller to cool down.
*** *	Wigwag fault; your throttle control levers are not responding.	Call your authorized Zipr provider for assistance.
*** **	The manual freewheel lever is in the (down) freewheel position.	Turn the scooter key to the off position, then push the manual freewheel lever to the up position and restart your scooter.
* *****	Scooter is operating with the charger attached.	Unplug the charger power cord from the charger power cord receptacle.

### What if all the systems on my scooter seem to be “dead”?

- Make certain the key is in the “on” position.
- Check that the batteries are fully charged. See the “Batteries and Charging” section of this manual.
- Push in the main circuit breaker reset button.
- Make certain that both battery harnesses are firmly connected to the rear electronics module. See the “Disassembly and Assembly” section of this manual.
- Make sure that the front-to-rear harness is firmly connected to the rear electronics module.
- Be sure the auto shutoff feature hasn’t been activated. See the “Batteries and Charging” section of this manual.
- Check the 5-amp fuse located on the lower portion of the tiller console. See the “Care and Maintenance” section of this manual.

# TROUBLESHOOTING CONTINUED

## **What if my scooter does not move when I press the throttle control levers?**

- With the key turned to the on position, check the status LED. If the LED flashes three times, a pause, then flashes two times, this is the manual freewheel lever code and means your scooter is in freewheel mode.
- When the manual freewheel lever is pushed down, the brakes are disengaged and all power to the transaxle is cut.
- Pull up on the manual freewheel lever, turn the scooter off, and then turn the scooter on, to return to normal scooter operation.

## **What if the main circuit breaker repeatedly trips?**

- Charge the scooter's batteries more frequently.
- If the problem continues, have both of your scooter's batteries load tested by an authorized Zipr provider.
- You may also perform the load test yourself. Battery load testers are available at most automotive parts stores.
- Follow the directions supplied with the load tester.

## **What if the battery condition meter dips way down and the motor surges or hesitates when I press my scooter's throttle control lever?**

- Fully charge your scooter's batteries.
- Have a load test conducted on the batteries individually.

If you experience any problems with you are unable to solve, immediately contact your authorized Zipr provider for information, maintenance, and service. You can also contact Zipr directly at (800) 760-9107.

# CARE & MAINTENANCE

Your scooter requires a minimal amount of care and maintenance. If you do not feel confident in your ability to perform the maintenance listed below, you may schedule inspection and maintenance at your authorized Zipr provider.

## TIRE PRESSURE

- If equipped with pneumatic tires always maintain proper tire pressure.
- Regularly inspect your scooter's tires for signs of wear.

**WARNING! Overinflating a tire can cause it to explode.**

## EXTERIOR SURFACES

- Bumpers, tires, and trim can benefit from an occasional application of rubber or vinyl conditioner.

**WARNING! Do not use a rubber or vinyl conditioner on the scooter's vinyl seat or tire tread; they will become dangerously slippery.**

## BATTERY TERMINAL CONNECTIONS

- Make certain that the terminal connections remain tight and uncorroded.
- The batteries must sit flat in the battery wells.
- The battery terminals should face the rear of the scooter.

## WIRING HARNESES

- Regularly check all wiring connections.
- Regularly check all wiring insulation, including the charger power cord, for wear or damage.
- Have your authorized Zipr provider repair or replace any damaged connector, connection, or insulation that you find before using your scooter again.

## ABS PLASTIC SHROUDS

- The front tiller shroud, front shroud, and the rear shroud are formed from durable ABS plastic and coated with an advanced formula urethane paint.
- A light application of car wax will help the shrouds retain their high gloss.

## AXLE BEARINGS AND THE MOTOR/TRANSAXLE ASSEMBLY

- These items are all pre-lubricated, sealed, and require no subsequent lubrication.

## MOTOR BRUSHES

- The motor brushes are housed inside of the motor transaxle/assembly. They should be inspected periodically for wear by your Zipr provider.

## CONSOLE, CHARGER, AND ELECTRONIC'S MODULE

- Keep these areas free of moisture. Allow these areas to dry thoroughly if they have been exposed to moisture before operating your scooter again.

# CARE & MAINTENANCE CONTINUED

## FUSE REPLACEMENT

In the event the 5-amp fuse should cease to work:

- Remove the fuse by pulling it out of its slot.
- Examine the fuse to be sure it is blown (fractured connection between the fuse heads). (See Figures 21 and 22)
- Insert a new fuse of the proper rating.

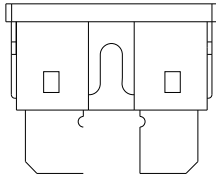


FIGURE 21. WORKING FUSE

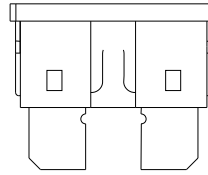


FIGURE 22. BLOWN FUSE

## REAR LIGHTS

Light bulbs for the rear running lights and turn signals are easily replaceable.

**CAUTION! Do not use regular automotive-type 12-volt light bulbs; your scooter is equipped with a 24-volt electrical system.**

*NOTE: Replacement light bulbs can be purchased from your authorized Zipr provider.*

- Remove the light cover.
- Gently remove the bulb.
- Insert a new 24V, 5 watt bulb.
- Replace the light cover.

## STORING YOUR SCOOTER

If you plan on not using your scooter for an extended period of time, it is best to:

- Fully charge its batteries prior to storage.
- Disconnect both battery harnesses.
- Store your scooter in a warm, dry environment.
- Avoid storing your scooter where it will be exposed to temperature extremes.

**WARNING! If your scooter's batteries do become frozen, do not attempt to charge them. Cold or frozen batteries should be allowed to warm up for several days prior to recharging.**

For prolonged storage, you may wish to place several boards under the frame of your scooter to raise it off of the ground. This takes the weight off the tires and reduces the possibility of flat spots developing on the areas of the tires contacting the ground.



# WARRANTY

This warranty is extended only to the original purchaser who purchases this product when new and unused from Zipr Mobility LLC or an authorized Provider of Zipr Mobility LLC. This warranty is not extended to any other person or entity and is not transferable or assignable to any subsequent purchaser or owner. Coverage under this warranty will end upon any such subsequent sale or other transfer of title to any other person.

Contact Zipr Mobility LLC directly or any Zipr Mobility authorized Provider for warranty service and/or questions.

This warranty covers the cost of replacement components. This warranty covers the cost of repair labor if the repairs are conducted in at the Zipr Mobility maintenance facility in North Bend, WA. This warranty does not cover the cost of shipping components and/or full products for repair or replacement – such costs are the responsibility of the purchaser.

## **THREE-YEAR LIMITED WARRANTY**

For three (3) years from the date of purchase, Zipr Mobility will repair or replace at our option to the original purchaser, free of charge, any of the following parts found upon examination by an authorized representative of Zipr Mobility to be defective in material and/or workmanship.

### **Structural frame components:**

- Main Frame
- Anti-tip & Caster forks
- Seat Post & Seat frame

## **ONE-YEAR LIMITED WARRANTY**

For one (1) year from the date of purchase, Zipr Mobility will repair or replace at our option to the original purchaser, free of charge, any of the following parts found upon examination by an authorized representative of Zipr Mobility to be defective in material and/or workmanship.

### **Electronic components, including:**

- Charger
- Controller
- Electrical Harness

### **Other components, including:**

- Electronic brake assembly (NOT BRAKE PADS)
- Bearings & bushings
- Motor & Gearbox

# WARRANTY CONTINUED

## THREE MONTH LIMITED WARRANTY

- The batteries are covered by a three month limited warranty.

## WARRANTY EXCLUSIONS

**Transaxle:** In cases where there is an increase in the operational noise level, the warranty does not apply. (The increase in operational noise level usually occurs due to abusive and excessive strain on the scooter).

**Motor:** If damage occurs to the motor commutator as a result of not replacing the motor brushes after heavy wear to the brushes. Motor brushes are wear items and are not warranted.

**Motor brake:** One year warranty for the electrical function of the motor brake. Brake pads are a wear item and are not warranted.

- ABS Plastic shroud & all plastic components other than the controller unit and wire harness covers.
- Brake pads (wear items)
- Motor brushes
- Fuses
- Upholstery and seating
- Tires (wear items)
- Circumstances beyond the control of Zipr Mobility LLC
- Labor, service calls, shipping, and other charges incurred for repair of the product, unless specifically authorized by Zipr Mobility LLC
- Do not return faulty parts to Zipr Mobility LLC without prior written authorization from Zipr Mobility LLC.

## IMPLIED WARRANTIES

Implied warranties, including those of merchantability and fitness for a particular purpose, are limited to one (1) year from the date of purchase and to the extent permitted by law. Any and all implied warranties are excluded. This is the exclusive remedy. Liabilities for consequential damages under any and all warranties are excluded.

Some states do not allow limitations on how long an implied warranty lasts or do not allow the exclusion of limitation incidental or consequential damages. The above limitation or exclusion may not apply to you.

This warranty gives you specific rights, and you may also have other rights which vary from state to state.

---

# NOTES