



XS POOL LIFT – CEC COMPLIANT MODELS

**OWNER'S MANUAL
&
MAINTENANCE PROCEDURES**




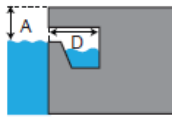
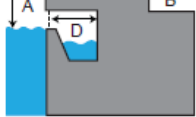
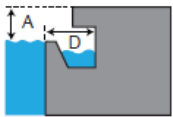
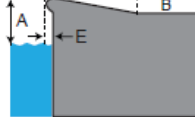
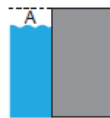
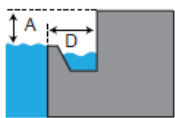
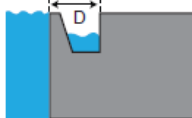
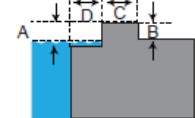
S.R. SMITH, LLC
CORPORATE HEADQUARTERS
P.O. Box 400 • 1017 S.W. Berg Parkway
Canby, Oregon 97013 USA
Phone (503) 266 2231 • Fax (503) 266 4334
www.srsmith.com

DECK PROFILE SHEET CONFIRMATION

Aquatic access lifts are application specific. A completed Deck Profile Sheet helps to ensure the lift purchased for the application will work in accordance to ADA guidelines. S.R. Smith reviews all submitted Deck Profile Sheets as a service to our customers, free of charge. Before installing the pool lift, the installer must review and confirm the information provided on the Deck Profile Sheet. If the description of the application does not match the installation site, a new Deck Profile Sheet must be completed and submitted to S.R. Smith.

NOTE: FAILURE TO COMPLETE AN ACCURATE DECK PROFILE SHEET MAY RESULT IN THE LIFT NOT MEETING ADA COMPLIANCE GUIDELINES.

To complete the Deck Profile Sheet online, visit www.srsmith.com/liftprofile, contact Customer Service at (800) 824-4387 or email sales@srsmith.com.

		deck profile sheet POOL LIFT*	
<small>*Deck profile sheet must accompany your pool lift order</small>			
1. Preferred Lift: <input type="checkbox"/> PAL <input type="checkbox"/> PAL2 <input type="checkbox"/> Splash! <input type="checkbox"/> Splash! 300 <input type="checkbox"/> aXs <input type="checkbox"/> aXs2 <input type="checkbox"/> multiLift <input type="checkbox"/> ML300			
2. Gutter Configuration:			
<input type="checkbox"/> Fully recessed gutter			
<input type="checkbox"/> Fully recessed gutter w/parapet			
<input type="checkbox"/> Partially recessed gutter			
<input type="checkbox"/> Bull Nose Coping			
			
			
			
			
<input type="checkbox"/> Standard backyard pool			
<input type="checkbox"/> Rollout gutter			
<input type="checkbox"/> Flush gutter and deck w/ or w/o bullnose			
<input type="checkbox"/> Florida Rollout w/curb			
			
			
			
			
<small>If none of the images above match your gutter configuration, please draw the shape on a separate piece of paper and attach.</small>			
3. Facility Type (check one): <input type="checkbox"/> Health Club <input type="checkbox"/> Hospitality <input type="checkbox"/> Public Pool <input type="checkbox"/> Residential <input type="checkbox"/> Commercial			
4. Deck (check one): <input type="checkbox"/> New Construction <input type="checkbox"/> Pre-existing			
5. Deck Material (check one): <input type="checkbox"/> Concrete <input type="checkbox"/> Pavers			
POOL			
6. Distance from pool deck to water line (A): _____		<input type="checkbox"/> Check this box to confirm that you have verified the location of the lift will meet the ADA Clear Deck Space Requirement (1009.2.3):	
7. Height of curb (B): _____		<small>*On the side of the seat opposite the water, a clear deck space shall be provided parallel with the seat. The space shall be 36" wide minimum and shall extend forward 48" minimum from a line located 12" behind the rear edge of the seat.*</small>	
8. Width of curb (C): _____			
9. Width of gutter (D): _____			
10. Bull Nose Radius (E): _____			
11. Decorative stone setback: _____			
12. Is your pool located on the ground level? <input type="checkbox"/> Yes <input type="checkbox"/> No			
<small>Note: Pool lifts are application specific. Please provide accurate measurements for your pool in the space provided. S.R. Smith will confirm that the lift selected will meet the location and installation requirements based on the ADA Design Standards (2010) or suggest an alternative lift that will meet the requirements. S.R. Smith bears no responsibility due to misapplication of a lift without a completed Deck Profile Sheet on record.</small>			
Fax this completed form to 503.266.4334, email to lifts@srsmith.com, or complete the form online at www.srsmith.com/liftprofile. Call toll free 800.824.4387			
Name of Distributor Lift Will Be Purchased From		City	State
Your Name		Email	Phone
Property or Project Name		PO Number	
S.R. Smith Use Only			
APPROVAL# _____			
<input type="radio"/> PAL <input type="radio"/> PAL HI/LO <input type="radio"/> PAL SPA <input type="radio"/> PAL2 <input type="radio"/> SPLASH			
<input type="radio"/> SPLASH HI/LO <input type="radio"/> SPLASH ER <input type="radio"/> SPLASH ER HI/LO <input type="radio"/> SPLASH SPA <input type="radio"/> SPLASH 300			
<input type="radio"/> SPLASH 300 HI/LO <input type="radio"/> SPLASH W/ROUND POST <input type="radio"/> AXS <input type="radio"/> AXS2 <input type="radio"/> MULTILIFT <input type="radio"/> ML300			

SF-720-003

0417

TABLE OF CONTENTS

aXs2

DECK PROFILE SHEET CONFIRMATION2
INTRODUCTION4
WARNINGS AND SAFETY SUMMARY5
PRODUCT OVERVIEW6
aXs2 - PRODUCT COMPONENTS6
UNPACKING & ASSEMBLY INSTRUCTIONS10
USING THE aXs2 LIFT16
TRANSFERRING16
STANDARD ACCESSORIES/OPTIONAL ACCESSORIES18
MAINTENANCE and CLEANING18
TROUBLE SHOOTING19
LONG-TERM STORAGE20
PRODUCT REGISTRATION & WARRANTY INFORMATION20
SPECIFICATIONS21
 1. Dimensions/Capacity21
 2. Actuator21
 3. Motor21
 4. Battery21
 5. Range of Motion Information21
 6. Noise21
 7. Materials and Finish Information21
PARTS LIST22
APPENDIX A23
APPENDIX B24

READ THESE INSTRUCTIONS IN THEIR ENTIRETY BEFORE BEGINNING INSTALLATION

INTRODUCTION

The purpose of this document is to provide information relating to the safe operation, care, and maintenance of the **aXs2 EU/K**.



Intended Lift User:

All of S.R. Smith's lifts have been designed to assist anyone who has problems entering or exiting a swimming pool or spa - the only restriction is that the User does not exceed the weight limit of the product (300 lb/136 kg). It is the responsibility of the lift Owner to ensure that the correct safety procedures have been put in place and a risk assessment carried out. If a User is mentally challenged or has severe physical disabilities these issues must be taken into account to determine the number of persons required to complete the transfer onto the seat and the number of persons required to be in the water, ready to receive the User. The correct seat belt must be attached to the seat and fully fastened and used during each transfer.

Our goal is to provide our customers with the most advanced and innovative designs offering exceptional quality at affordable prices. All of our lifts meet the specifications set forth by the Access Board - ADAAG 2004 (US only), Medical Device Directive, 93/42/EEC, RoHS2 Directive 2011/65/EU, EN 50581:2012 and ISO10535:2006 including repeating the lifting cycle of the hoist (lift) over a total of 11,000 cycles. The lift system and AC powered battery charger complies with EN60601-1-2, 2007/03.

US Patent No. 5,790,995

aXs2, and LiftOperator are registered trademarks of S.R. Smith, LLC.

Model / Product No. _____ Product Name _____

S.R. Smith, LLC PO Box 400 1017 SW Berg Parkway Canby, Oregon 97013 USA Phone: 503-266-2231 Fax: 503-266-4334 www.srsmith.com Assembled in USA
SN S
 
24 VDC

WARNINGS AND SAFETY SUMMARY



DANGER – FAILURE TO FOLLOW THESE WARNINGS, INSTRUCTIONS AND THE OWNER’S MANUAL MAY RESULT IN SERIOUS INJURY OR DEATH

WARNING

- **ADULT USE ONLY** – Use by children with adult supervision only. Only persons healthy enough for water activities should use the aXs. Users should consult with their physician to determine if water activities are appropriate for the User.
- Seat belt is to be used at all times during user transfer.
- **NO JUMPING/DIVING/CLIMBING** – Do not jump/dive from or climb on lift.
- Limit for use is **ONE PERSON** weighing less than the maximum weight limit of – 300lbs (136kg) for the aXs. Use only for transfer of user not as a hoist or crane.
- **PINCH/CRUSH HAZARD** – Always keep hands and fingers clear of lift arms during use.

CAUTION

- **BATTERY CHARGE LEVEL** – Check Battery Level before each use. Battery must show **GREEN** >50% charge level before use. When **YELLOW** <50% charge level is shown the battery must be fully charged before use. When **RED** <25% charge level is shown the lift must not be used and the battery must be fully charged before use.
- **DAMAGE MAY RESULT** – Do not use the seat or seat frame to move or position the aXs.
- **DAMAGE MAY RESULT** - Do not allow excessive moisture to collect in the battery case, it can affect battery and lift performance and could lead to battery failure and/or the lift failing to operate.



WARNING

**Pinch Points.
Moving part can
crush or cut.
KEEP CLEAR.**

WARNING

**LIMIT FOR USE IS ONE PERSON
WEIGHING LESS THAN THE
MAXIMUM WEIGHT LIMIT OF
300 lbs (136 kg)**

ADA GUIDELINE SUMMARY* (USA Only)

1009.2.1 Pool Lift Location

Pool lift shall be located where the water level does not exceed 48". If entire pool water level exceeds 48", place pool lift where convenient.

1009.2.2 Seat Location

In the raised position, the centerline of the seat shall be located over the deck a minimum of 16" from the edge of the pool.

1009.2.3 Clear Deck Space

On the side of the seat opposite the water; a clear deck space shall be provided parallel with the seat. The space shall be 36" wide minimum and shall extend forward 48" minimum from a line located 12" behind the rear edge of the seat.

1009.2.4 Seat Height

The lift shall stop at 16" – 19" measured from the deck to the top of the seat surface when in the loading position.

1009.2.8 Submerged Depth

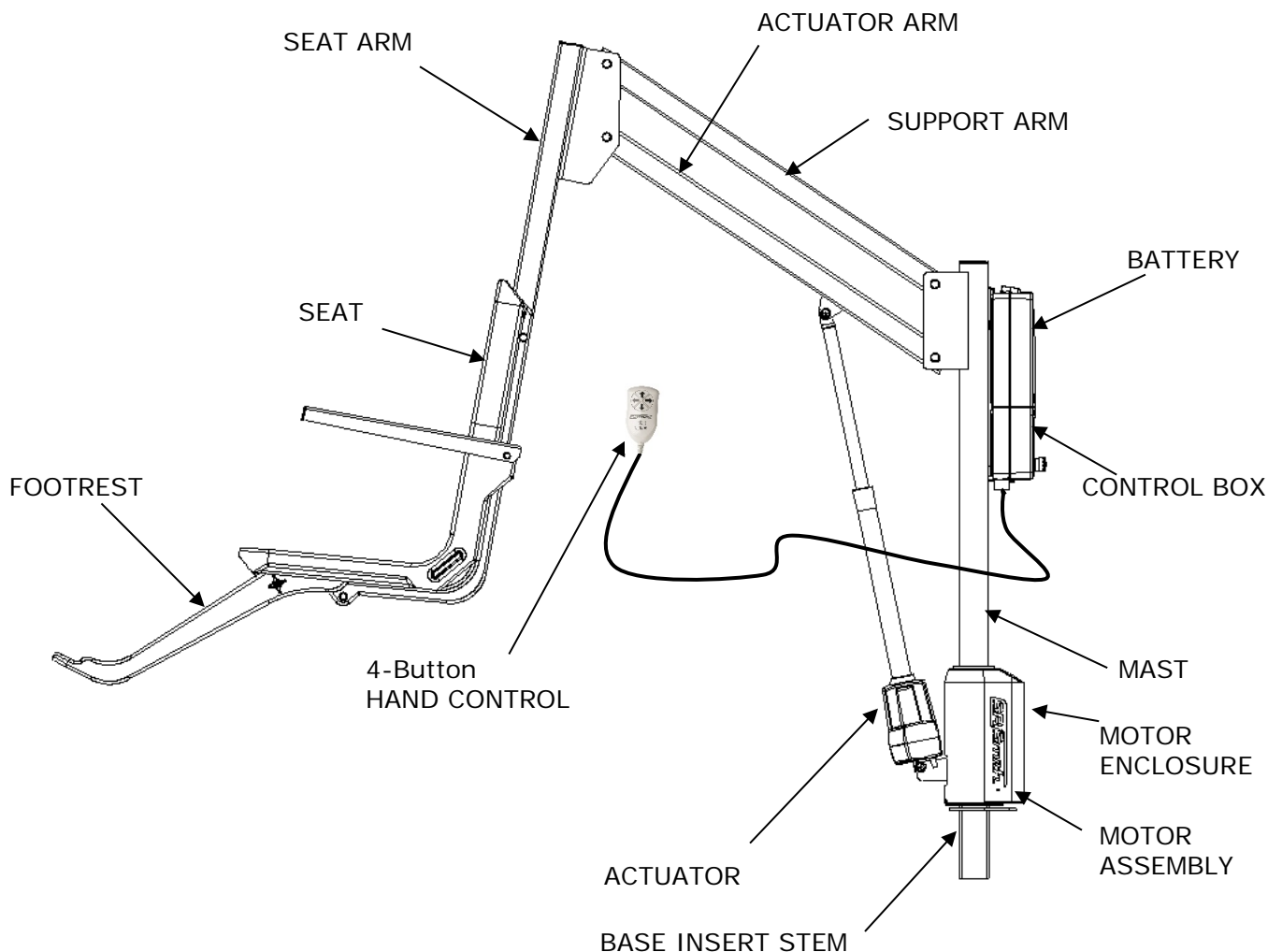
The lift shall submerge the seat a minimum of 18" below the stationary water level.

*Compliance with ADA is the responsibility of the pool owner. Visit www.ada.gov for complete guidelines.

PRODUCT OVERVIEW

The aXs2 Aquatic Lift is a fixed lift system designed so that individuals with disabilities and mobility impairments can have universal access to residential, commercial and community swimming pools or spas. The aXs2 is powered by a 24 Volt DC rechargeable battery. The lifting motion is provided by a screw driven electronic actuator and an electronic gear motor provides the turning motion. S.R.Smith has endeavored to design the safest possible lift system, however, lift users are responsible to follow all instructions in the owner's manual, and all product labels to help ensure safe, reliable and proper performance of the lift to avoid injury. The aXs2 has a mast height of 46"/117 cm above the deck, provides 360° rotation and is intended to be used with simple pool gutter configurations having a deck to water distance of no more than eight inches. The maximum lift capacity for aXs2 is 300 lb/136 kg. Only persons healthy enough for water activities should use the aXs2. Users should consult with their physician to determine if water activities are appropriate for the User.

aXs2 - PRODUCT COMPONENTS



aXs2 310-0000

COMPONENT DESCRIPTION

The lift is made up of several components:

Base Assembly - Mounts to the pool deck and contains the turning elements of the lift.

Base Insert Stem - Slides into the square anchor sleeve that is installed on the pool deck.

Mast - The main vertical component of the lift.

Actuator Arm - Primary lifting arm of the lift connects the mast to the seat arm and is raised by the attached actuator.

Support Arm - Provides stability for the seat frame.

Seat Arm - Provides an attachment point for the seat assembly to the actuator and support arms.

Motor Enclosure (left & right) - ABS plastic cover shields base assembly components from weather. When cleaning the enclosure, be sure to use a clean, soft, non-abrasive material.

Actuator - Provides the up and down lifting action.

Motor Assembly – Consists of a 24-volt motor and gearing.

Control Box - The LiftOperator unit controls all lift operations with touchpad buttons on the front panel that are identical to the user hand set. Three cables connect to the bottom of the Control Box to enable operation of the lift. The largest connector is for the hand control. Connector # 1 is for the motor cable (red stripe). Connector # 2 is for the actuator cable (green stripe).

Touchpad Control –

The touchpad control arrow keys can be used in the event that the hand control is out of reach or fails. Simply press and hold the arrow for the desired action for one movement at a time – Up, Down, Left, Right. Releasing the Arrow stops movement.

Battery Level LED Indicators –

The Battery Level LED Indicators show battery charge levels. The LED's will illuminate when either the touchpad control or the hand control is activated and will stay lit for 10 seconds. At greater than 50% the LED glows Green, at less than 50% the LED glows Amber, and less than 25% the LED glows red and indicates the battery requires charging. If the battery level is less than 25%, do not operate the lift. Remove the battery and fully charge before use.

Emergency Stop Button –

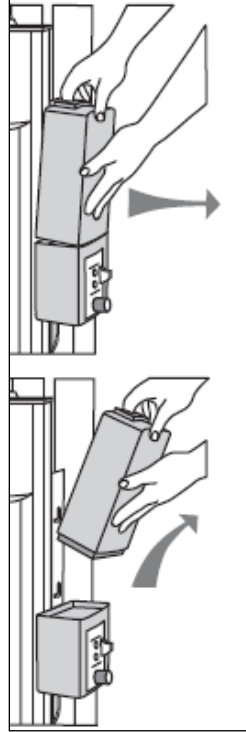
In the event of an emergency, or if you need to stop lift movement immediately, pressing the Emergency Stop Button (red button on the control) will stop all lift movement. At the same time an audible alert will sound for 10 sec. then pause for 5 sec. and then the sequence will repeat until the button is reset by turning it in the direction of the arrows on the button (clockwise). The Emergency Alert LED will also flash Red when the button is pressed and will remain flashing until the button is reset.



The Emergency Alert (audible and LED) can be activated by pressing any two buttons on the hand control at the same time (provided with the lift). This will stop all lift movement and activate the audible alert and the Red LED will flash. Once both buttons are released, the lift will return to normal operation and the emergency audible alert will silence.

For additional information on the LiftOperator controller, see LiftOperator manual 700-0500.

Battery Pack - The battery pack is located on top of the Control Box and is removable.



To remove - pull the battery pack away from the mounting plate so that the latch on the battery pack clears the side tabs on the mounting plate - then lift the battery pack up and away from the Control Box.

To replace - align the battery pack with the mounting plate so that the latch will drop over the center tab and that the bottom of the battery pack will fit in the recessed area on top of the Control Box. Lower the battery pack in place so that the latch is fully captured by the mounting plate and the battery pack drops fully seated onto the Control Box.

The battery pack should be charged daily. Do not allow battery to fully discharge, as it will shorten battery life. Whenever battery is removed from Control Box or lift is not in use it is important to connect battery to the charger. This ensures battery is fully charged and ready for use.

The battery charger has an LED indicator to show charging status. The following describes LED indicator operation.

Amber Light Flashing – The amber light flashing indicates that the battery charger has AC power and the microprocessor is functioning properly. If the amber light



continues to flash, either the battery voltage is too low (battery pack needs to be replaced), or the battery charger is not properly connected to the battery.

Amber Light on Steady – Whenever the amber light is on steady, a battery is connected properly to the charger and the charger is charging the battery. The amber light will remain on until the charger completes the charging stage.

Green Light Flashing – When the charger shows a green flashing light, the battery is 80% charged. Whenever possible, leave the battery on the charger until the green light is solid.

Green Light on Steady - When the green light stops flashing and remains on steady, the battery is fully charged and can be returned to service. The battery can and should be left on the charger when not in use.

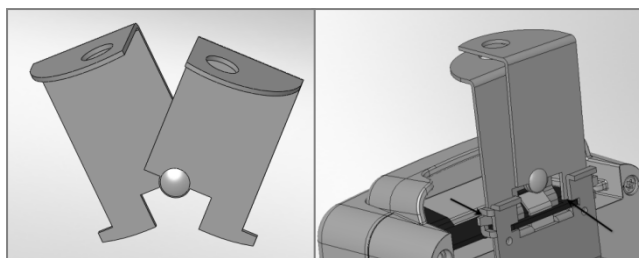
Batteries have a normal lifespan of between 2-3 years, depending on use and care. A fully charged battery will provide approximately 30 to 40-lifting cycles, depending on the weight of the users. Prior to use the battery charge level should be checked by observing the LED indicator on the charger plug to ensure sufficient charge level. See warranty policy regarding battery replacement.

It is not necessary to fully discharge the battery prior to charging. Battery should be charged daily and cannot be overcharged. It takes up to twelve hours to fully charge depending upon battery usage. Do not allow battery to fully discharge, as it will shorten battery life. Whenever battery is removed from Control Box or the lift is not in use it is important to connect battery to charger. This ensures battery is fully charged and ready for use.

Do not drop the battery, as it could cause the unit to fail. If the battery case is cracked do not use and replace the battery. Do not place battery on a conductive surface. During temperature extremes beyond the range of 41 F (5 C) to 104 F (40 C) remove battery and place in a controlled environment or battery life may be shortened.

Battery Disposal - The batteries located inside the battery pack are recyclable and shall be disposed of in accordance with applicable local, state/provincial or federal/national regulations.

Locking Plate Assembly - The battery pack can be secured to the mounting plate using the provided lock plate assembly. To install, open the lock plate so that the bottom tabs are moved close to one another to allow the lock plate to be inserted into the slots on the mounting plate secured to the lift. Close the lock plate assembly so that the tabs are captured by the slots. Insert a padlock (not provided) through the holes on the lock plate assembly to secure it.



Hand Control - The four button unit controls all lift movements. The arrows indicate direction of movement. Control is fully waterproof and meets IP67 standards.



Seating System - The seat is manufactured from rotomolded plastic with a stainless steel frame. Armrests are integrated into the seat and are designed for support when transferring onto the seat. They may be rotated up out of the way during transfer.

The seat belt must be used during each use. The footrest is removable and will float upwards to prevent damage if the seat is lowered too far. It is recommended that the seat be rinsed off with fresh water between each use and cleansed daily with a disinfectant solution of 1:100 dilution of household bleach to fresh water and then rinsed with fresh water. In the event of a contamination incident such as patient/user excreta - cleanse seat and seatbelt immediately with the above disinfectant solution. Do not use seat or seatbelt if it is damaged or becomes worn out.

This lift seat assembly is designed to be used exclusively with S.R. Smith aquatic access lifts.

UNPACKING & ASSEMBLY INSTRUCTIONS

Item #	Part #	Description
1	100-5000A	LA34 Actuator
2	400-7000-BC	4 Button Controller
3	120-1920	Actuator Cable Assembly (not shown)
4	1001495-BC	Battery Pack
5	1001530-BC	Battery Charger (not shown)
6	1001600	Hand Control (not shown)
7	160-8530	Hand Control Hanger (on back of seat)
8	120-2100A	24 VDC Motor
9	120-1910	Motor Cable Assembly (not shown)
10	1001498	Battery Bracket
11	310-1000A	Mast Assembly
12	310-1200A	Actuator Arm Assembly
13	310-1300A	Support Arm Assembly
14	160-9520	Seat Frame Arm
15	160-9200	Seat Assembly, 1 PC w/ Standard Footrest
16	800-0313	Washer, Flat #3/8
17	800-2027	Screw, Hex Hd - #3/8-16 x 3.25 L
18	800-3000A	aXs2 Motor Enclosure Assembly
19	800-0330	Screw, Self-Threading #4-20 x ½ L
20	900-1000	aXs Seat Belt Assembly (Black) (not shown)
21	800-0318	Bushing, Oilite
22	800-2000	3/8-16 Nyloc Nut
23	800-0147	Screw, 3/8-16 x 2.5" L
24	300-6200L	Locking Deck Anchor (not shown)
25	AX3700-1	Spindle Housing Assembly
26	170-3000A	Arm Rest Assembly (Pair)
27	160-2300A	Footrest Kit (Gray)
28	800-0304	Screw, Hex Hd - #5/16-18 x 4.0" L
29	800-0310	Washer, Flat - #5/16"
30	800-0202	Acorn Nut, #5/16"

REFER TO THE DIAGRAM (page 23) FOR PARTS IDENTIFICATION.

READ THESE INSTRUCTIONS IN THEIR ENTIRETY BEFORE BEGINNING INSTALLATION

Prior to opening the any packaging, carefully inspect the external condition of the shipping materials for any visible damage. It is important that any damage be noted on the Bill of Lading prior to signing for the delivery. Contact either S.R. Smith or your dealer immediately to notify us of any damage or missing parts.

Ensure mounting anchor has been installed in the correct location in the pool deck for proper lift operation. It is recommended that the anchor be installed by a person familiar with installing pool deck equipment.

The aXs2 Lift requires only simple assembly, using common tools for installation and setup. Position pallet close to deck anchor for easier assembly and set up.

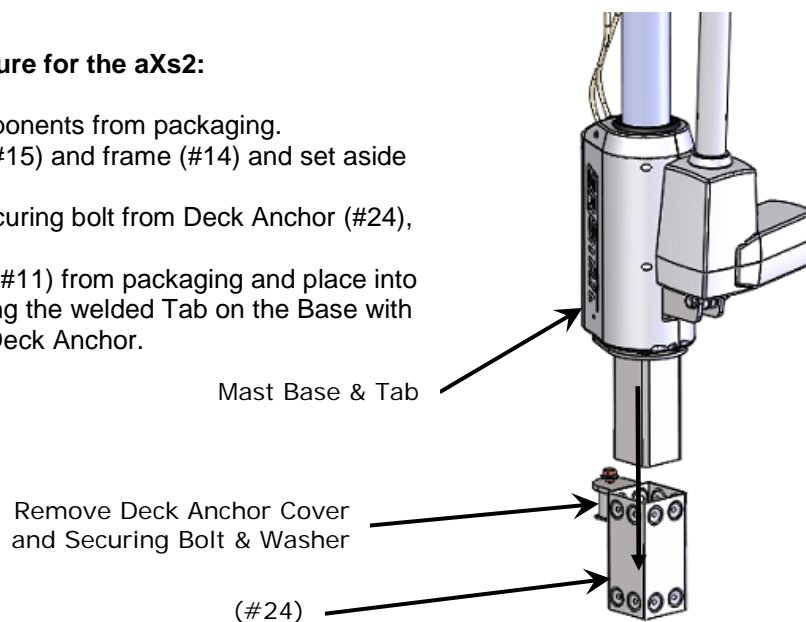
TOOLS REQUIRED FOR LIFT ASSEMBLY

BOX WRENCHES (2) – 9/16"

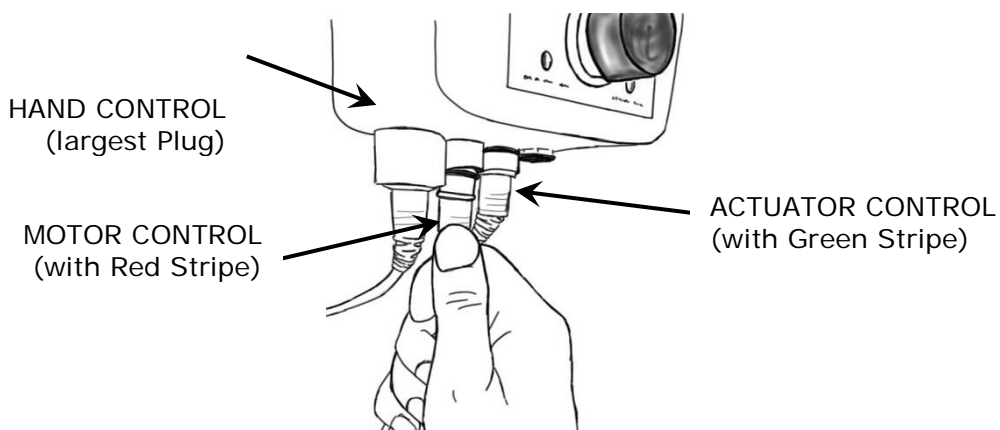
BOX WRENCH (2) – 1/2"

Unpacking & Assembly Procedure for the aXs2:

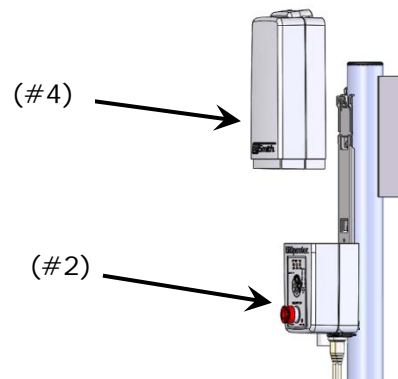
1. Carefully remove lift components from packaging.
2. Remove seat assembly (#15) and frame (#14) and set aside for attachment.
3. Remove Deck Anchor securing bolt from Deck Anchor (#24), and set aside.
4. Remove Mast Assembly (#11) from packaging and place into deck anchor (#24), aligning the welded Tab on the Base with its slot to the hole in the Deck Anchor.



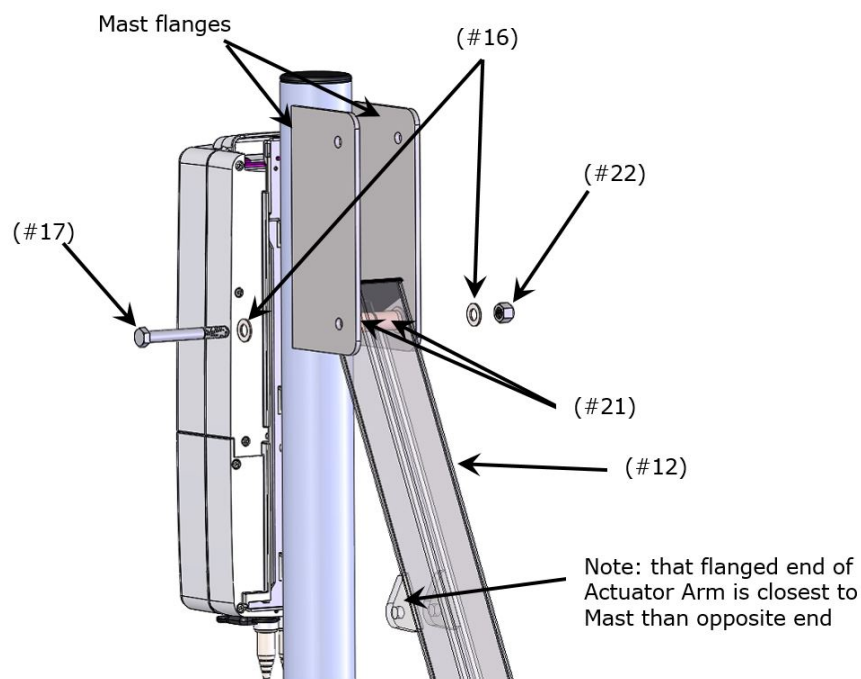
5. Remove and unwrap Hand Control (#6) from accessory carton.
6. Insert Hand Control (#6) plug into large connector on the Control Box (see image below) and temporarily hang Hand Control over flange on Mast. Make sure plug is keyed to keyway and is secure.



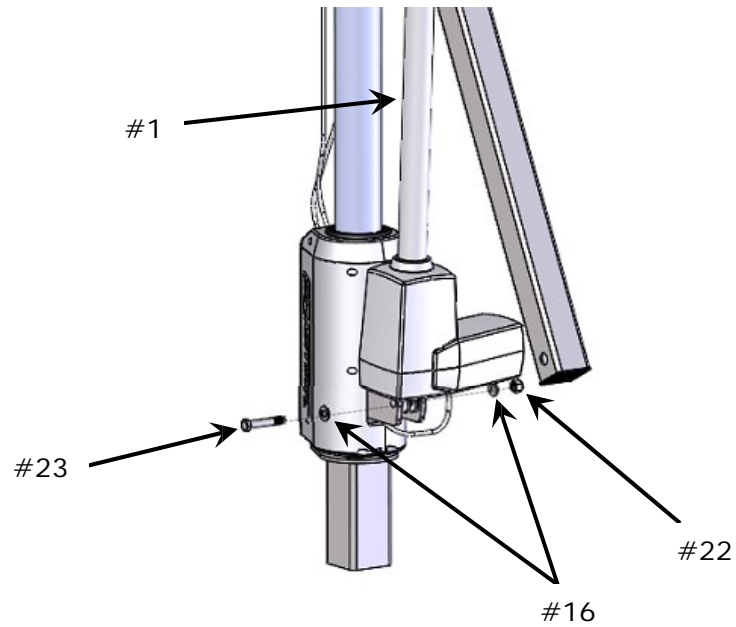
- Attach the Battery Pack (#4) to the Control Box (#2) by sliding onto the top of the Mounting Plate and down onto the Control Box. To remove battery, pull slightly away from Mounting plate and lift Battery Pack off of the Control Box.



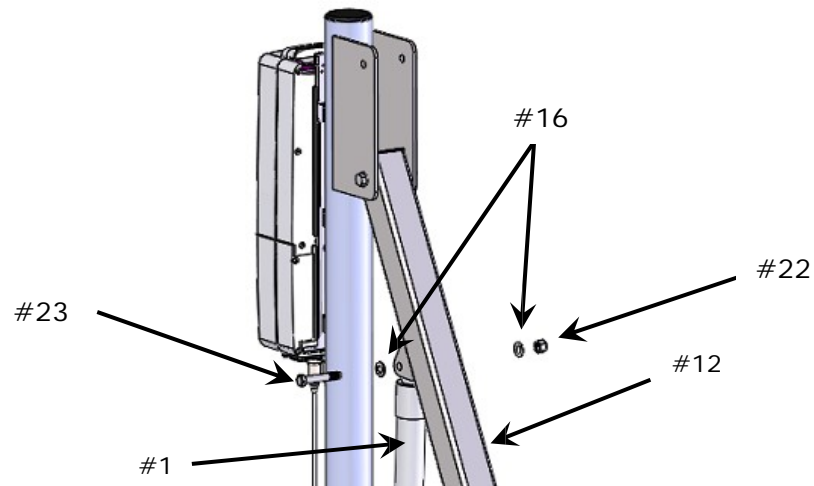
- Rotate Lift so that Mast flanges (shown below) are positioned over the pool deck and not over the pool.
- Locate the Actuator Arm Assembly (#12) and insert (2) Bushings (#21) into the holes in the end of the Actuator Arm closest to its flanges (see image).
- Orient the Actuator Arm Assembly (#12), with Bushings installed, to the lower holes in Mast Flanges and using (1) Hex Head Bolt (#17), (2) Flat Washers (#16) and (1) Nyloc Nut (#22) as shown below, install the Arm. Tighten the Bolt and Nut using (2) 9/16" Box Wrenches.



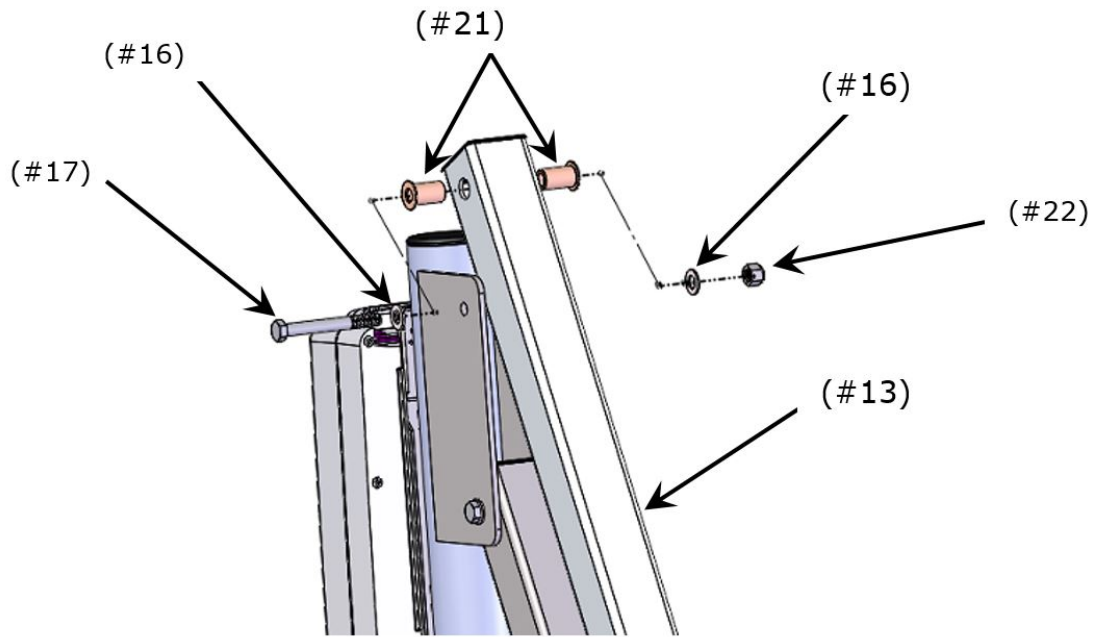
- Verify that Actuator (#1) is already attached to base of Mast, with (1) Hex Head Bolt (#23), (2) Washers (#16), and (1) Nyloc Nut (#22).



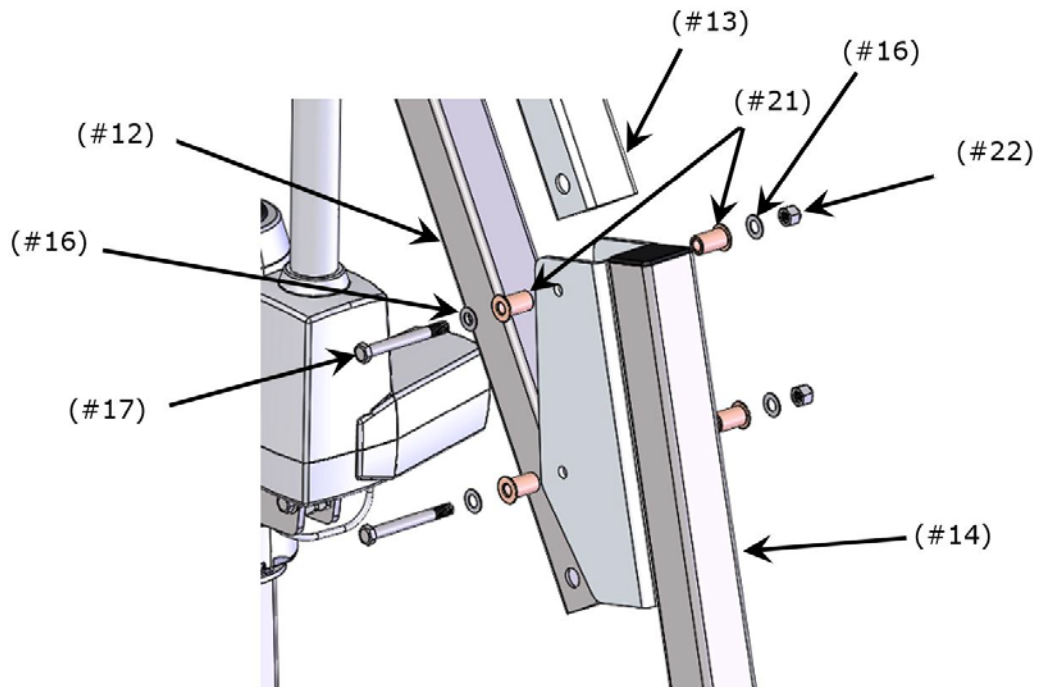
12. Attach the opposite end of the Actuator (#1) to the Actuator Arm Assembly (#12) using (1) Bolt (#23), (2) Washers (#16) and (1) Nut (#22) through the holes in the flanges of the Actuator Arm (see image below).



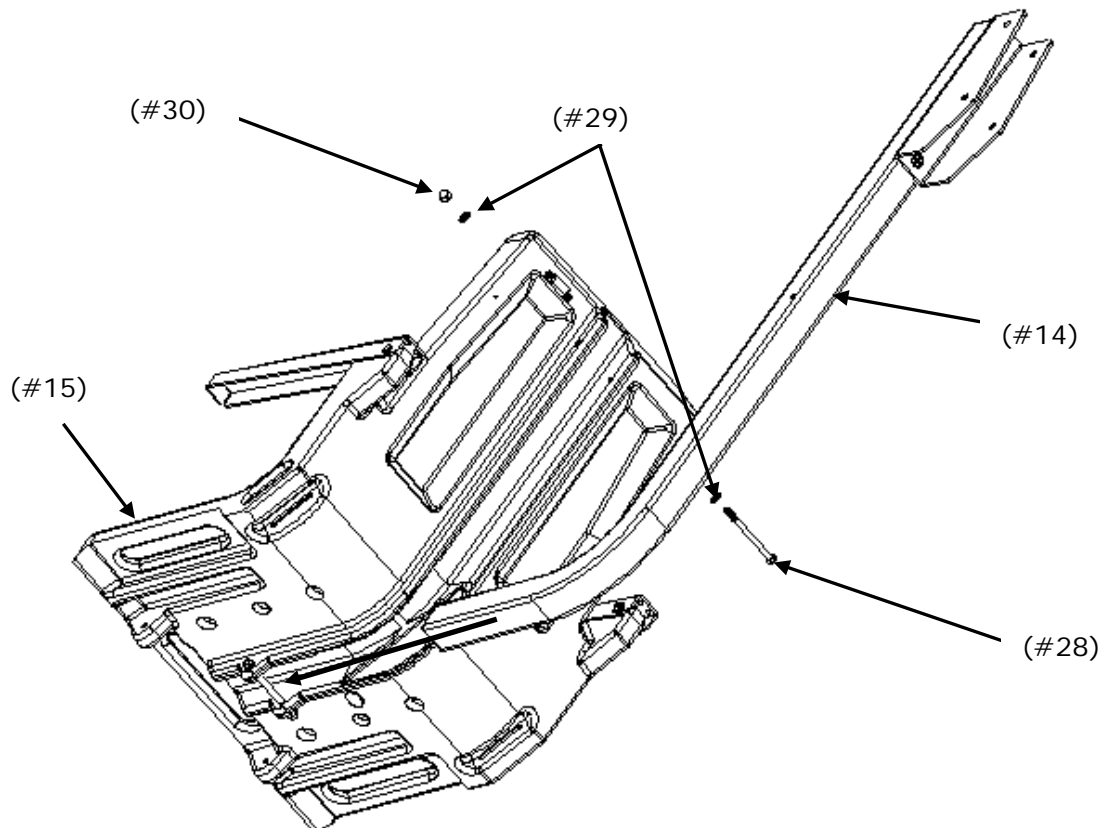
13. Attach the Support Arm Assembly (#13) to the upper holes in the Mast flanges by installing (2) Bushings (#21) into the holes in one end of the Support Arm, then insert the Arm with Bushings between the flanges of the Mast and align to the upper holes in the Mast flanges.
14. Using (1) Hex Head Bolt (#17), (2) Washers (#16) and (1) Nyloc Nut (#22), attach the Support Arm Assembly to the Mast flanges. Tighten Nut and Bolt using (2) 9/16" wrenches.



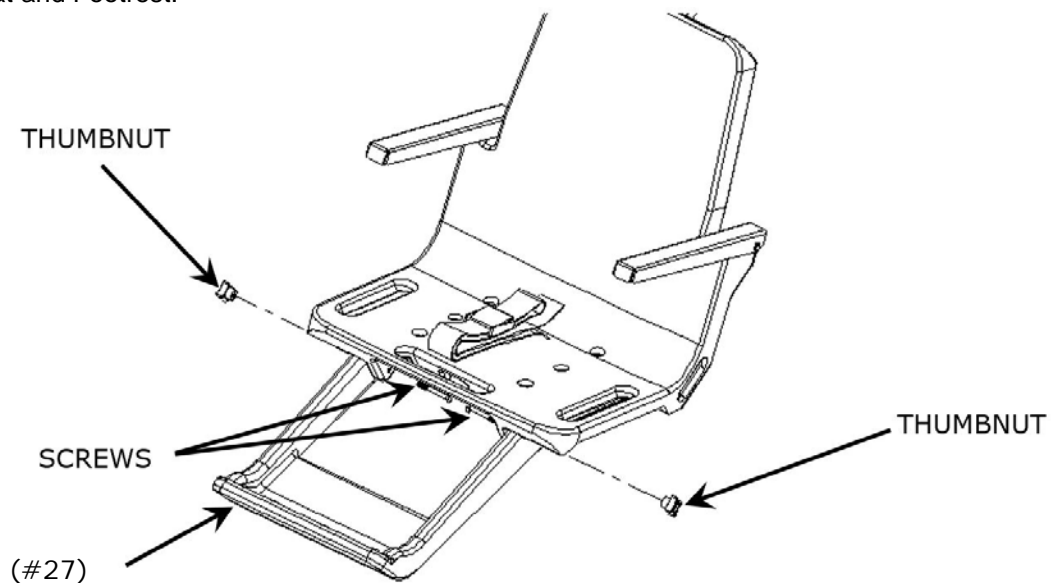
15. Attach the opposite ends of the Actuator Arm Assembly (#12) and Support Arm Assembly (#13) to Seat Bracket with (2) Bolts (#17), (4) Washers (#16) 4) Bushings (#21) and (2) Nuts (#22) in appropriate holes of the Seat Bracket (as shown below), following the same sequence as in previous step.



16. Locate Seat Assembly (#15) and attach to Seat Frame (#14) using (1) Screw (#28), (2) Washers (#29), and (1) Acorn Nut (#30). Tighten using (2) ½" Box Wrenches.



17. Attach Footrest (#27) to Seat using (2) Screws and (2) Thumbnuts through holes on bottom of Seat and Footrest.

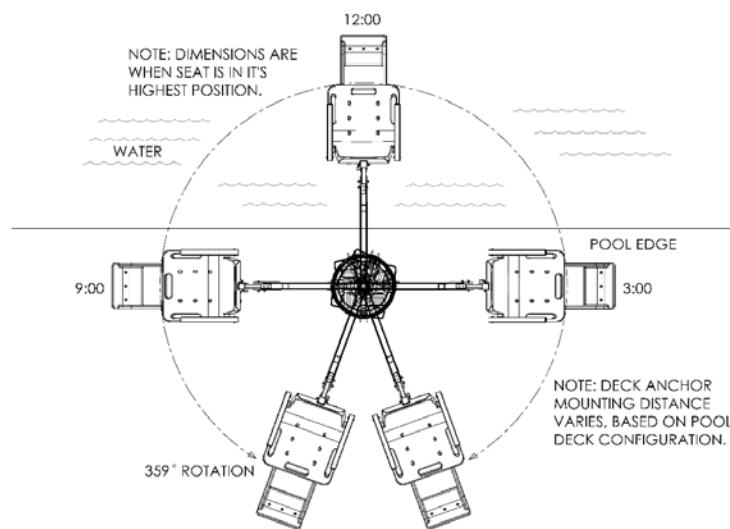


18. Verify that up and down controls operate properly - both Control Box touch pad and Hand Control.
19. Verify that side to side controls operate properly – both Control Box touch pad and Hand Control. (4 Button Control only).
20. Check red Emergency Stop button on Control Box for operation/activation of internal sounder.
21. Cover Control Box and battery with Console/Battery Cover to protect from moisture.

USING THE aXs2 LIFT

Obey all User Instructions listed in the Owner's Manual whenever using lift. Obey all Caution, Warning, Operating Instruction(s) and Labels located on the lift whenever it is in use. It is the responsibility of the lift Owner to ensure that the correct safety procedures have been put in place and a risk assessment carried out. If a User is mentally challenged or has severe physical disabilities these issues must be taken into account to determine the number of persons required to complete the transfer onto the seat and the number of persons required to be in the water, ready to receive the User.

If the aXs2 will be used by a disabled person living on their own, a communication device should be installed in the area of use to call for assistance in the event of an emergency. Only persons healthy enough for water activities should use the aXs2. Users should consult with their physician to determine if water activities are appropriate for the User. Keep fingers and hands clear of lift arms during use.



TOP VIEW - RANGE OF MOTION

360° ROTATION **Xs2 Transfer diagram**

TRANSFERRING

Once the unit is positioned for use, use the following procedure to transfer to the seat and into the water. Only persons healthy enough for water activities should use the aXs2. Users should consult with their physician to determine if water activities are appropriate for the User:

- Rotate the seat to either side of lift for best transfer position (3 o'clock or 9 o'clock).
- Raise or lower the seat to proper transfer height.
- Transfer onto the seat, ensuring that the user's weight is centered on seat. Armrests can be rotated up if necessary. If user has a wheelchair, keep the wheelchair close by for easy retrieval.
- Fasten Seat Belt - thread loose end of belt strap through buckle - pull tight - to close - press latch down on belt material.
- Raise seat to allow enough leg room for rotation.
- Rotate seat to the 12 o'clock position, over the water.
- Lower the seat into the pool. The waterproof hand control can remain connected to seat if swimmer is operating lift.
- Unfasten Seat Belt - grasp latch and lift up, pull loose end from latch.
- When finished, return to the seat, ensuring user's weight is centered on seat.
- Fasten Seat Belt.
- Raise seat to allow enough leg room for rotation.
- Rotate seat to original transfer position.
- Raise or lower seat to proper transfer height.
- Unfasten Seat Belt.
- Transfer off of the seat.

IN CASE OF HAND CONTROL FAILURE

Lifting failure - In the event of a lifting failure, there are control buttons built into the control box. Press the appropriate up or down/left or right button located on the front panel of the control box.

If the aXs2 will be used by a disabled person living on their own, a communication device should be installed in the area of use to call for assistance in the event of an emergency.

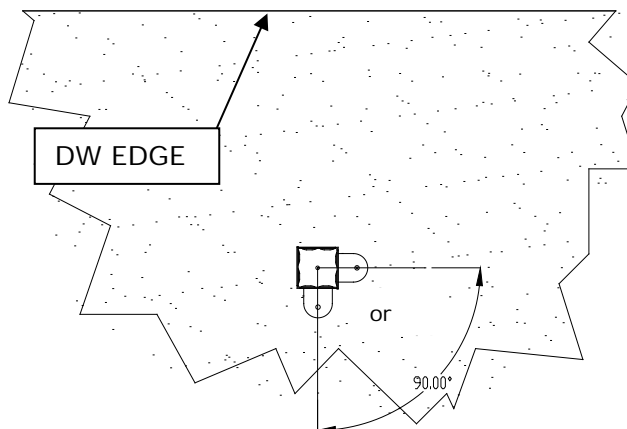
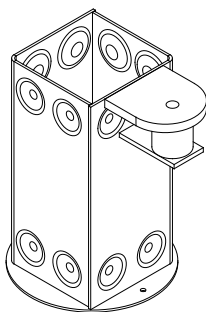
POOL DECK INSTALLATION FOR THE aXs2 ANCHOR

Ensure Locking Anchor has been installed in the correct location in the pool deck for proper lift operation. It is recommended that the anchor be installed by a person familiar with installing pool deck equipment.

The optimal mounting distance for the deck anchor is between 12"/30.5 cm to 20"/51cm from the edge of the pool. The aXs2 is designed to be used with simple pool edge designs without protruding gutters. Please call S.R. Smith with any questions concerning deck anchor placement or if the aXs2 will work in your installation.

Locking Deck Anchor

(Install the anchor so the locking tab is either parallel to the Deck to Water (DW) edge or perpendicular and furthest away from the DW edge)



Installing a Locking Anchor in a Concrete Deck

The proper installation of the anchor depends on the construction and condition of the deck. If the deck meets the thickness and re-enforcing requirements shown in Appendix A then the anchor can be installed according to the instructions outlined in Appendix A.

If the existing deck does not meet the requirements outlined in Appendix A then the anchor can be installed per the instructions in Appendix B or you can consult an engineering professional.

The deck anchor reaction loads can be found in the Specification Section of this manual.

Once installed, you can lock the aXs2 lift into place by rotating the lift out of the way and removing the back housing of the base, using the provided hardware with a 9/16 socket wrench to tighten it into place.

Properly bond the anchor socket using the attached bonding screw per local codes.

Turning failure - If the lift will not turn electronically, remove the motor enclosure and verify that all connections are intact. If the connections are intact, replace the enclosure and remove the Motor Plug (with red stripe) at the Control Box. The lift may then be manually rotated by pushing or pulling on the seat.

If the aXs2 will be used by a disabled person living on their own, a communication device should be installed in the area of use to call for assistance in the event of an emergency.

STANDARD ACCESSORIES/OPTIONAL ACCESSORIES

The following items are included with all pool lift models:

- Seat Belt Assembly - Nylon water-resistant belt for added security.
- Battery/Charger – 24-volt rechargeable battery.

Optional accessories may be purchased for your aXs2 lift through your Authorized Reseller. The following accessories are available:

Console/Battery Cover – P/N 910-1000: Protects battery and control unit from exposure to moisture (blue)

Total Cover - P/N AX9006: Made of weather resistant nylon material to keep unit protected from elements when not in use.

Anchor & Cap – P/N 300-6200L - Lift Lock deck anchor measures 2.875”/ 7.30 cm OD, 2.75” / 6.98 cm ID. Includes cap and bonding screw.

Seat Saver Cover – P/N 970-5000: Made of weather resistant nylon to protect seat when not in use.

MAINTENANCE and CLEANING

Minimal maintenance will prolong the life of your lift. Keep all electronic components clean and dry. Excessive moisture collection can affect battery and lift performance and could lead to battery failure and/or the lift failing to operate. If the lift is used outdoors, an optional full cover is available and recommended.

Owners of lifts should be aware of any applicable local, state/provincial or federal/national regulations regarding the inspection and or testing of lifts.

The following schedule shall be performed to insure proper operation with the Daily items performed before each use:

Maintenance Performed	Daily	Weekly	Monthly
Check battery level before each use / Charge battery daily	✓		
Wipe Control Box and battery connection with a clean dry rag	✓		
Examine lift for any damage, lose or missing hardware	✓		
Test for normal operation	✓		
Spray gear assembly with a heavy-duty rust inhibitor/lubricant such as LPS 3 - Heavy-Duty Inhibitor		✓	
Make sure all cable connections are properly secured			✓
Inspect lift frame, mast, support arm and seat assembly for rust			✓
Cleansing Performed – after each use			
Rinse seat and seatbelt with fresh water between each use - Cleanse seat and seatbelt with a disinfectant solution of 1:100 dilution of household bleach to fresh water and then rinse with fresh water and dry entire lift daily. In the event of a contamination incident such patient/user excreta - cleanse seat and seatbelt immediately with the disinfectant solution*	✓		
Cleanse all battery connections with a nylon scouring pad			✓
Cleanse all metallic surfaces with a cleaner wax to maintain the finish of the lift			✓

*** When using the disinfection solution, avoid direct contact with the skin and eyes. In the event of a contamination incident - immerse the seat belt in the disinfection solution for 10 min. and then rinse thoroughly with fresh water.**

TROUBLE SHOOTING

Be sure the battery is fully charged before troubleshooting.

Lift does not rotate

Does lift raise or lower?

Yes.

1. Check connection to Control Box. Be sure plug is pushed in all the way.
2. Check hand control connection to Control Box for damaged pins.
3. Check connections on terminal block located on frame for loose wires.
4. Check connection cable for damage.
5. Try operating the lift using the control buttons on the front panel of the controller. If the lift rotates when using the buttons on the control box, the hand control is likely the problem.
6. If the lift does not rotate when using the buttons on the control box, reverse the motor cables as follows: Locate the area on the Control Box where the cables are attached. Swap the actuator cable from connector #2 with the 24v motor cable from connector #1. Activate the up and down buttons on the hand control. If lift rotates, the problem is likely the hand control. If lift does not rotate, the problem is likely the 24v motor.
7. Contact your Authorized Reseller or S.R. Smith for replacement information.

Does lift raise or lower?

No.

1. Check battery charge level.
2. Check battery connection.
3. Use another fully charged battery. If lift continues to not function, replace the Control Box.

Lift does not Raise or Lower

Does lift rotate?

Yes.

1. Check connection to Control Box. Be sure plug is pushed in all the way.
2. Check hand control connection to Control Box for damaged pins.
3. Check connection cable for damage.
4. Activate the up and down buttons on the front panel of the control box. If lift raises and lowers, the problem is likely the hand control.
5. If the lift does not raise and lower when using the buttons on the control box, reverse the cables as follows: Locate the area on the Control Box where the cables are attached. Swap the actuator cable from the connector #2 and the 24v motor cable from connector #1. Activate the left and right buttons on the hand control. If the lift raises and lowers, the problem is likely the hand control. If the lift does not raise and lower, the problem is likely the Actuator.
6. Contact your Authorized Reseller or S.R. Smith for component replacement information.

Does lift rotate?

No.

1. Check battery charge level.
2. Check battery connection.
3. Use another fully charged battery. If lift does not function, replace the Control Box.

LONG-TERM STORAGE

When storing the lift for an extended period of time:

- Wash seat with disinfectant solution and then rinse with fresh water and dry entire lift
- Spray gear assembly with a heavy-duty rust inhibitor and lubricant such as LPS 3 - Heavy-Duty Inhibitor
- Keep the battery on the charger in a dry temperature controlled area
- Cover unit and store in a dry location away from pool chemicals

Questions/Comments - Contact us at 800.824.4387 or 503-266-2231 or info@srsmith.com. For information regarding Authorized Resellers worldwide visit www.srsmith.com

PRODUCT REGISTRATION & WARRANTY INFORMATION

Register your lift at srsmith.com. Product registration ensures you receive timely information about product updates and in the event of a warranty issue, helps us process claims more efficiently.

The S.R. Smith warranty becomes effective on the date of manufacture.

To initiate a warranty replacement, please follow the process outlined below.

1. **Take photos of the damaged product.**
 - a) The photo must include the entire unit
 - b) Also include one photo or more of the damaged area.
2. **Write down or take a photo of the serial # sticker from the product.**

S.R. Smith provides a serial # for every pool lift we produce. The sticker with the serial number can be found at the bottom of the mast near the base.
3. **Attach the photos and the serial # to a written request for replacement under the S.R. Smith warranty.** Please include the following information:
 - a) Product name and description.
 - b) Date of purchase and/or date of installation.
 - c) Description of damage.
 - d) Shipping address with a contact name and phone number.
4. **Send photos, serial # sticker and your written request by email or mail to warranty@srsmith.com or:**

S.R. Smith, LLC
PO Box 400
1017 SW Berg Pkwy
Canby, OR 97013
Attn: Warranty Specialist

****NOTE:** Missing information will result in a processing delay and possibly denial of your claim.

Should you have any questions regarding this process, please contact S.R. Smith's Warranty specialist at 800.824.4387 or 503.266.2231 or email warranty@srsmith.com

SPECIFICATIONS

aXs2 EU/K

1. Dimensions/Capacity

Mast Height	45.1"/115 cm
Height-Arm Raised	63.2"/160.5 cm
Seat Width	23"/58.5cm
Overall Length-extended	75.9"/193 cm
Storage Length-w/o chair	47"/19 cm
Unit Weight- w/ chair	120 lb/54 kg
Unit Weight-w/o chair	106 lb/48 kg
Power	24 VDC
Battery Life	30 cycles (approx.)
Lifting Capacity	300 lb/136 kg
Anchor Reaction Load	
Vertical	420 lb/191 kg
Moment	340 lb @ 52"/1512 N @ 132 cm

2. Actuator

Type	Screw Type Mechanical Actuator
Maximum Thrust	1680 lb/7472N
Voltage	24 VDC
Maximum Amp Draw	9
Maximum Speed	0.59 inch/sec./1.49cm/sec.

3. Motor

Rotation	24 VDC, 4.1 RPM (at Motor)
Gear Reduction Ratio	4.25:1

4. Battery

Power	24 VDC, IP65 Gel Lead Acid
Temperature Range	41°F (5°C) to 104°F (40°C)

5. Range of Motion Information

Vertical Travel	46"/117 cm
Rotation	360° Continuous
Widest Arc - w/ chair & footrest	76"/193 cm
Narrowest Arc - w/ chair & footrest	63.5"/ 161.3 cm

6. Noise

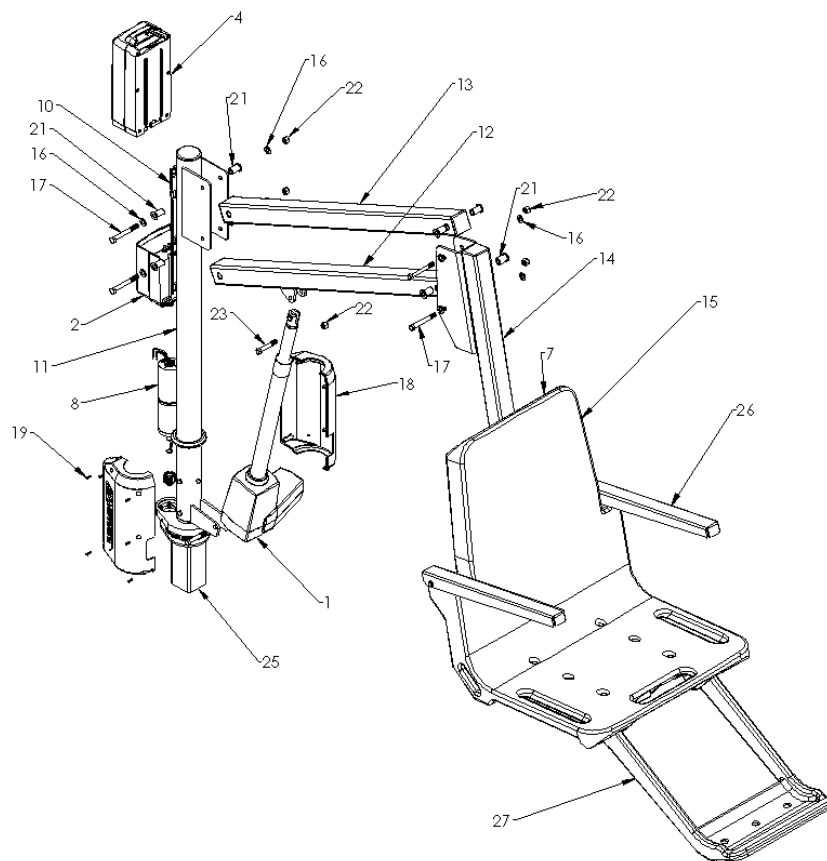
Noise level below 70 dB(A), measured according to DS/EN ISO 3746"

7. Materials and Finish Information

Seat Frame	Powder Coated Stainless Steel
Motor Enclosure	Vacuum Formed ABS Plastic
Actuator Arm	Powder Coated Stainless Steel
Support Arm	Powder Coated Aluminum
Mast	Powder Coated Stainless Steel
Seat and Footrest	Seat: Rotomolded Plastic
Covers	Urethane coated nylon

PARTS LIST

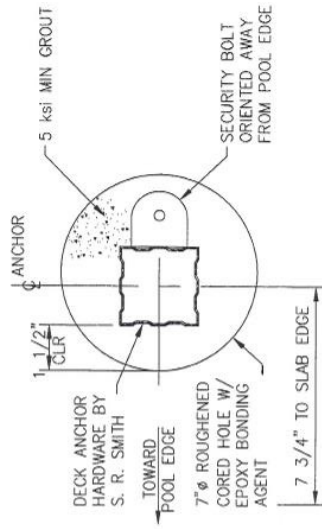
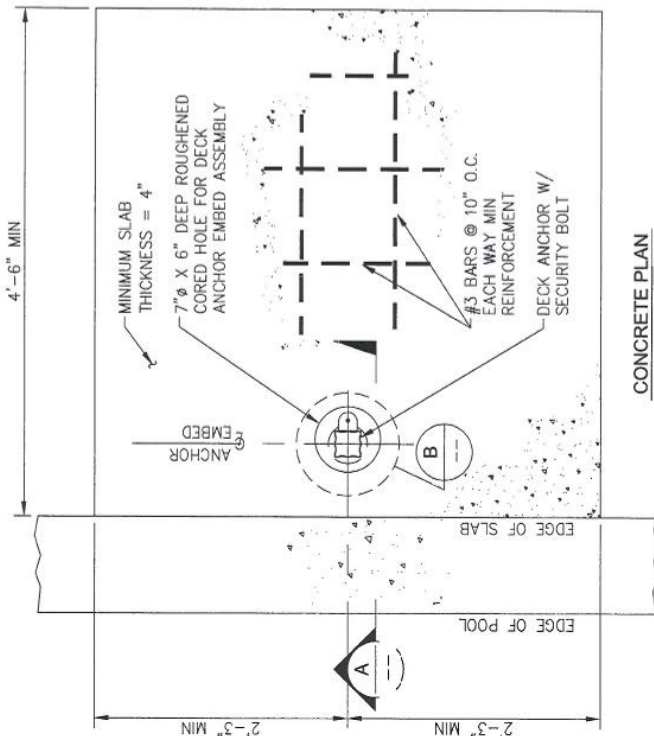
Item #	Part #	Description
1	100-5000A	LA34 Actuator
2	400-7000-BC	4 Button Controller
3	120-1920	Actuator Cable Assembly (not shown)
4	1001495-BC	Battery Pack
5	1001530-BC	Battery Charger (not shown)
6	1001600	Hand Control (not shown)
7	160-8530	Hand Control Hanger (on back of seat)
8	120-2100A	24 VDC Motor
9	120-1910	Motor Cable Assembly (not shown)
10	1001498	Battery Bracket
11	310-1000A	Mast Assembly
12	310-1200A	Actuator Arm Assembly
13	310-1300A	Support Arm Assembly
14	160-9520	Seat Frame Arm
15	160-9200	Seat Assembly, 1 PC w/ Standard Footrest
16	800-0313	Washer, Flat #3/8
17	800-2027	Screw, Hex Hd - #3/8-16 x 3.25 L
18	800-3000A	aXs2 Motor Enclosure Assembly
19	800-0330	Screw, Self-Threading #4-20 x 1/2 L
20	900-1000	aXs Seat Belt Assembly (Black) (not shown)
21	800-0318	Bushing, Oilite
22	800-2000	3/8-16 Nyloc Nut
23	800-0147	Screw, 3/8-16 x 2.5" L
24	300-6200L	Locking Deck Anchor (not shown)
25	AX3700-1	Spindle Housing Assembly
26	170-3000A	Arm Rest Assembly (Pair)
27	160-2300A	Footrest Kit (Gray)
28	800-0304	Screw, Hex Hd - #5/16-18 x 4.0" L
29	800-0310	Washer, Flat - #5/16"
30	800-0202	Acorn Nut, #5/16"
31	AX9006	aXs2 Total Cover (Optional Accessory, not shown)
32	900-6000	Stability Strap (Optional Accessory, not shown)
33	970-5000	Seat Cover (Optional Accessory, not shown)
34	910-1000	Battery Console Cover (Blue) (Optional, not shown)



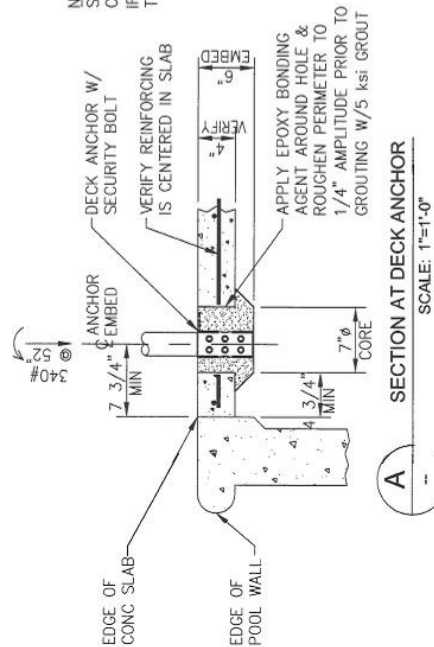
APPENDIX A

GENERAL NOTES:

1. NORMAL WEIGHT OF CONCRETE = 150 lbs/ft³.
2. CONCRETE MINIMUM COMPRESSIVE STRENGTH AT 28 DAYS TO BE f_c = 2500 psi.
3. REINFORCING BARS SHALL CONFORM TO ASTM A615, GRADE 60, DEFORMED.
4. PRECISION NON-SHRINK CEMENT GROUT SHALL HAVE A MINIMUM COMPRESSIVE STRENGTH OF 5000 psi AT 28 DAYS. SUBMIT PRODUCT SPECIFICATIONS FOR APPROVAL.
5. EPOXY BONDING AGENT TO BE FLEXIBOND 540 OR APPROVED EQUAL.
6. MAXIMUM LOAD = 340 lbs AT 52 INCHES.
7. ASSUMED SOIL BEARING CAPACITY OF 1000 psf.



NOTE: VERIFY REBAR & SLAB THICKNESS AFTER CORING. DO NOT INSTALL IF SLAB IS LESS THAN 4" THICK.



P.O. BOX 400
CANBY, OREGON 97013
503-266-2231

**AXS2 POOL LIFT CONC. ATTACHMENT TO 4" REINFORCED PAD
PLAN, SECTION & DETAIL**

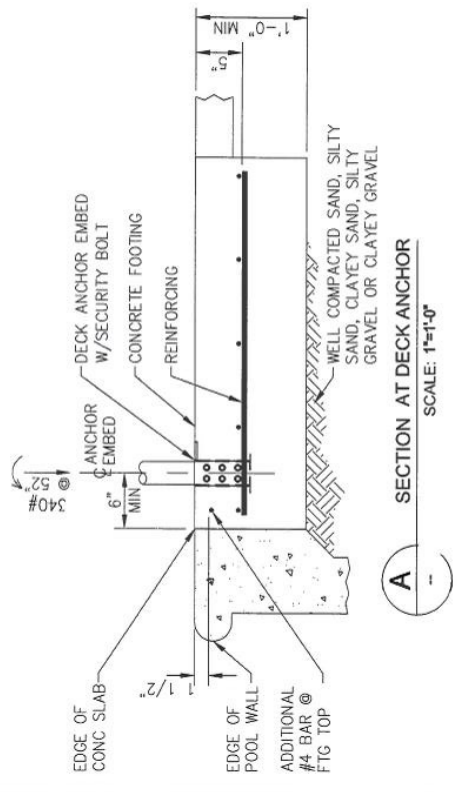
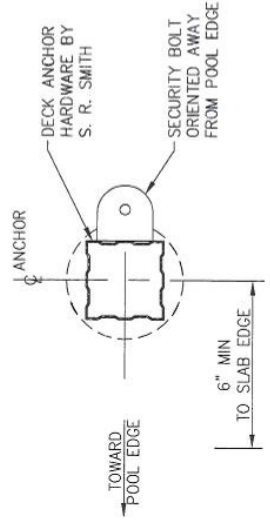
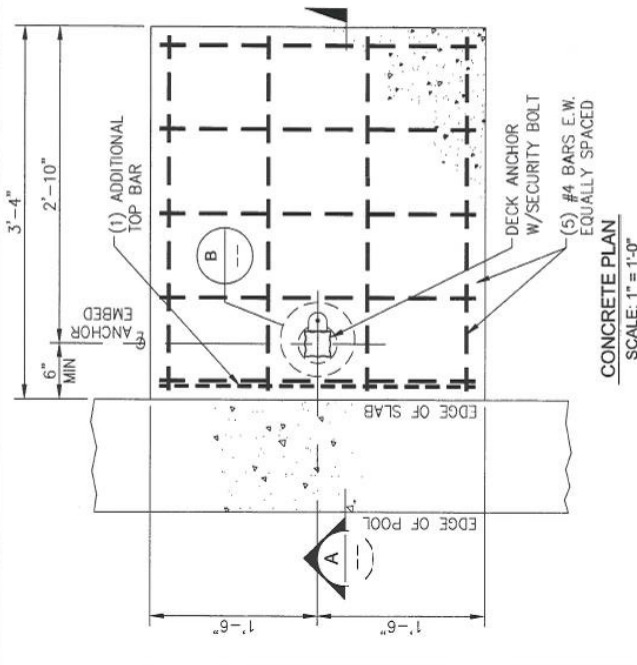
SCALE: AS NOTED
DATE: 28MAR17

DWG. NO. B 02317-SR
SHEET # 002-A

APPENDIX B

GENERAL NOTES:

1. NORMAL WEIGHT OF CONCRETE = 150 lbs/ft³.
2. CONCRETE MINIMUM COMPRESSIVE STRENGTH AT 28 DAYS TO BE $f_c = 2500$ psi.
3. REINFORCING BARS SHALL CONFORM TO ASTM A615, GRADE 60, DEFORMED.
4. MAXIMUM LOAD = 340 lbs AT 52 INCHES.
5. ASSUMED SOIL BEARING CAPACITY OF 1000 psf.
6. SOIL ASSUMED TO BE WELL COMPACTED SAND, SILTY SAND, CLAYEY SAND, SILTY GRAVEL OR CLAYEY GRAVEL.



	
P.O. BOX 400 CANBY, OREGON 97013 503-266-2231	
AXS2 POOL LIFT CONCRETE ATTACHMENT TO 1'-0" FOOTING PLAN & SECTION	
SCALE: AS NOTED DATE: 28MAR17	DWG. NO. B 02317-SR SHEET # 001-A