

A-6

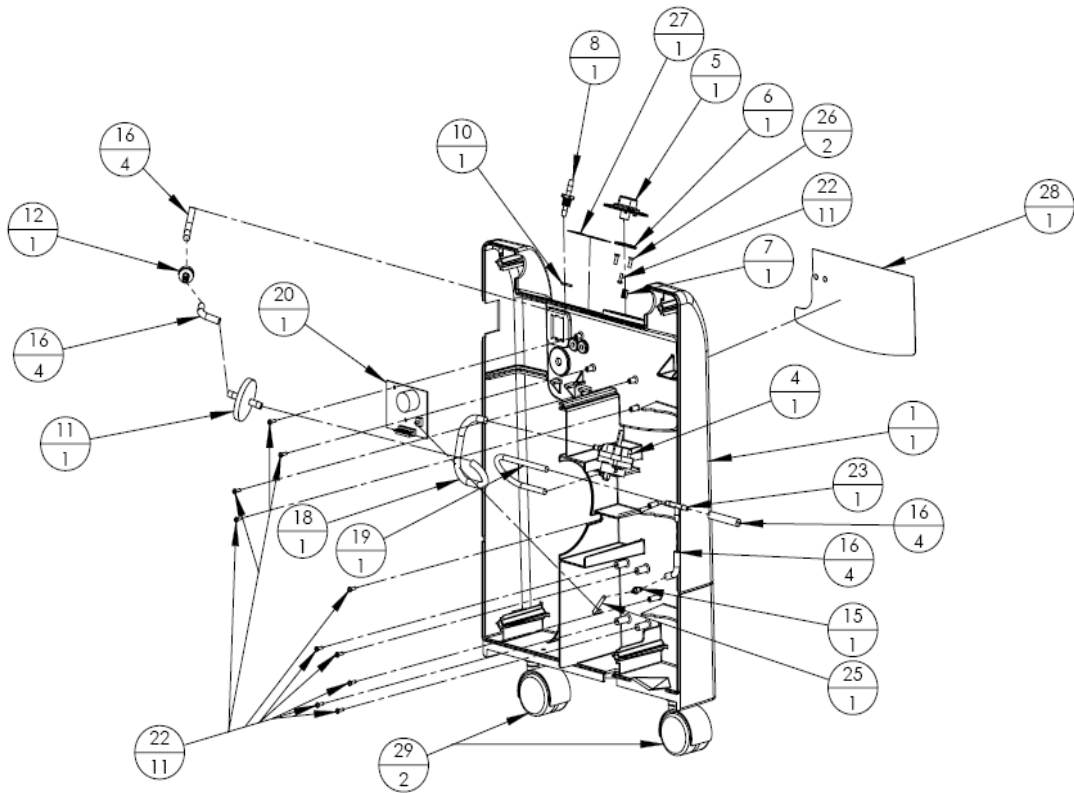
ELECTRICAL & COMPRESSOR ASSEMBLY

400-1513	1	SHUNT, VOLTAGE SELECTION	1	EA
8400-5018	2	HOURMETER AC 100-230 V 50/60	1	EA
9250-1170	2	HOURMETER,UNV W/O CLIP	1	EA
8400-1012	3	SCREW, 8-32 x 5/8"LG.HEX HEAD	2	EA
8400-1010	4	BRACKET,COMPRESSOR	1	EA
8400-1049	5	BRACKET, HEAT EXCHANGER	1	EA
8400-1052	6	FITTING,COMPRESSOR	1	EA
8400-1053	6	FITTING,COMPRESSOR	1	EA
8400-1016	7	SPRING, EXTENSION	2	EA
8400-1094	8	EXCHANGER,HEAT	1	EA
8400-1095	8	EXCHANGER,HEAT	1	EA
8400-1161	9	TUBING,5/16ODx3/16IDx12.5"LG.	1	EA
8400-1162	9	TUBING, 5/16ODx3/16IDx9.75"LG.	1	EA
8400-1163	10	FITTING HX	1	EA
8400-1030	12	GROMMET, .75"IDx1.0"HOLE	2	EA
8400-1013	13	RETAINER, SPRING	1	EA
9250-1062	14	TIE-WRAP, 14" LONG	2	EA
8400-1510	15	WIRING, HARNESS 230 VOLT	1	EA
8400-1500	15	WIRING,HARNESS 115 VOLT	1	EA
8400-1512	15	WIRING,HARNESS UNIVERSAL VOLT	1	EA
9250-1330	16	CORD, POWER, EUROPLUG	1	EA
9250-1311	16*	CORD,POWER, TYPE "K" PLUG	1	EA
8400-1018	17	BREAKER,CIRCUIT 10 AMP 115 V	1	EA
8400-1019	17	BREAKER, CIRCUIT 5 AMP 230 V	1	EA
8400-1008	18	SWITCH,POWER UNIVERSAL	1	EA
9250-1012	18	SWITCH,POWER 110 VOLT	1	EA
9250-1023	19	FAN,115V LOW NOISE	1	EA
9250-1024	19	FAN, 230V LOW NOISE	1	EA
8400-1042	20	CAPACITOR,20µF P2	1	EA
8400-2450	21	COMPR. 2450 115V/60HZ 5LPM	1	EA
8400-2460	21	COMPR. 2450 230V/50HZ 5LPM	1	EA
8400-2466	21	COMPR. 2450 230V/60HZ 3LPM	1	EA
8400-0010	22	BAFFLE, COMPRESSOR COOLING	1	EA
8400-1014	23	WASHER SPLIT RETAINING	2	EA
8400-1011	24	LIMITER COMPRESSOR	1	EA
8400-1009	25	CAP, VINYL 3-16"	2	EA
8400-1017	26	GROMMET, SPRING EYE	4	EA
8400-1041	27	FAN ISOLATOR	2	EA
8400-8450	99	KIT, COMP. PLATE ASSY	1	EA

**ELECTRICAL AND COMPRESSOR ASSEMBLY PARTS
A-6-A**

Part Reference Number	Call-Out Number	Part Description	Qty Required	Unit of Measure
8400-1010	1	BRACKET,COMPRESSOR	1	EA
8400-1013	2	RETAINER, SPRING	1	EA
8400-1016	3	SPRING, EXTENSION	2	EA
8400-1030	4	GROMMET,.75"IDX1.0"HOLE	2	EA
8400-1009	5	CAP, VINYL 3-16"	2	EA
8400-1017	6	GROMMET, SPRING EYE	4	EA

**COMPRESSOR MOUNTING BRACKET PARTS
A -6-B**



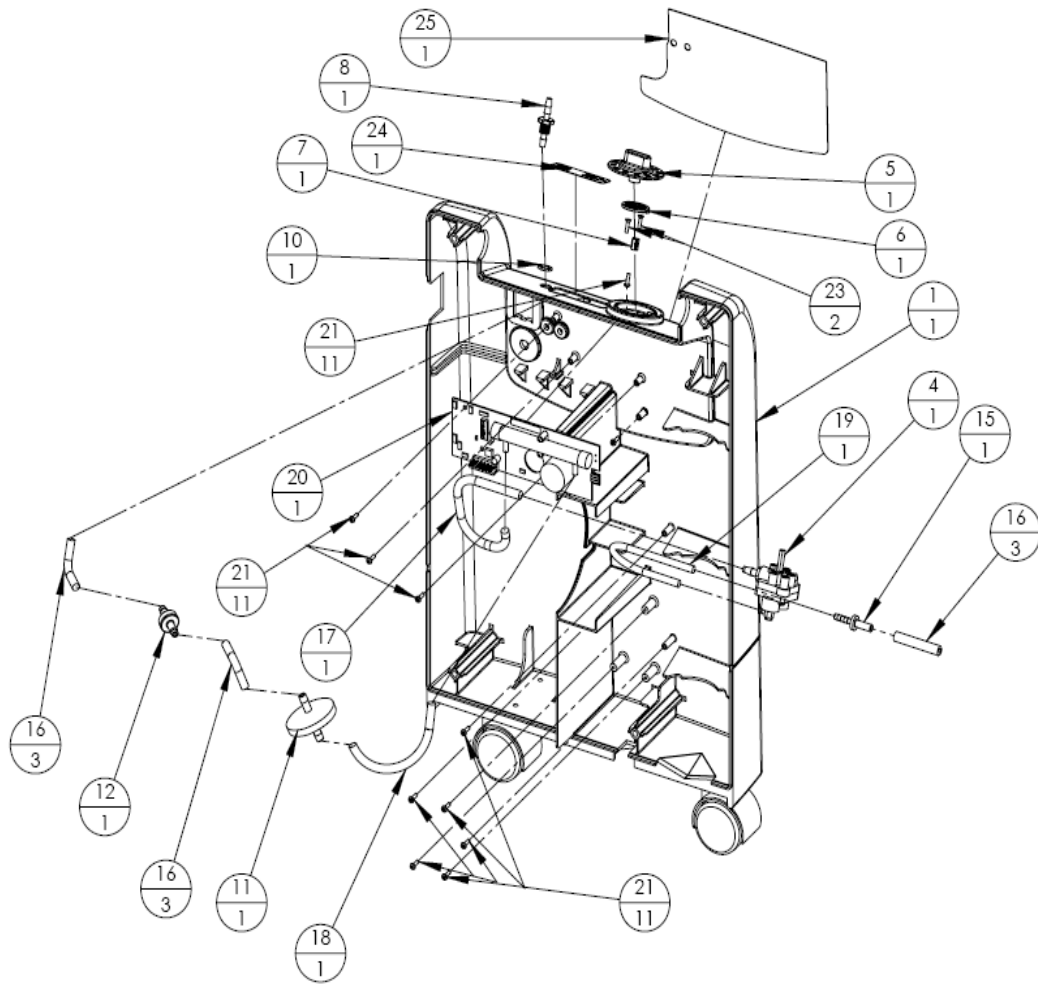
A-7

CABINET, FRONT ASSEMBLY (STD)

Part Reference Number	Call-Out Number	Part Description	Qty Required	Unit of Measure
8400-0002	1	CABINET,FRONT	1	EA
9251-1330	4	VALVE, FCV 1/8-5.0 LPM	1	EA
8400-1331	5	KNOB, FLOW 0.125 TO 5.0 FLOW	1	EA
9251-1332	6	RING, LOCK-OUT	1	EA
9251-1335	7	CLIP, D STYLE	1	EA
8400-1020	8	FITTING, OXYGEN OUTLET	1	EA
8400-1024	9	WASHER, 3/8 STAR O2 OUTLET LITE	1	EA
8400-1022	10	NUT 3/8-24 O2 OUTLET LITE	1	EA
7631-1053	11	FILTER, FINAL PRODUCT	1	EA
6956-9674	12	VALVE, CHECK 1/4 HOSE MPC A975	1	EA
8400-1102	13	FOAM, ANTI VIBRATION	1	EA
7854-6051	14	HOSE 5/32 X 11/32 X 3 LG SILIC	1	EA
6491-1006	15	ADAPTER 1/4 ODT X 3/16 HOSE	1	EA
7854-6052	16	HOSE 5/32 X 11/32 X 2 LG SILIC	2	EA
7854-6055	17	HOSE 5/32 X 11/32 X 7" LG SIL	1	EA
9250-1041	18	HOSE 5/32 X 11/32 X 5 LONG SIL	1	EA
8400-1337	19	HOSE 1/8" ID X 1/4" OD 3" LG	1	EA
8400-1204	20	BOARD, TIMING OMS 9V 5LPM	1	EA
9250-1045	21	SCREW, PLASTITE #4 X 3/8" PAN. HD	8	EA
9251-1336	23	SCREW #6 X 3/8 X 5" LG. FLUSH	2	EA

A-7-A

**PARTS
CABINET, FRONT ASSEMBLY (STD)**



A-8

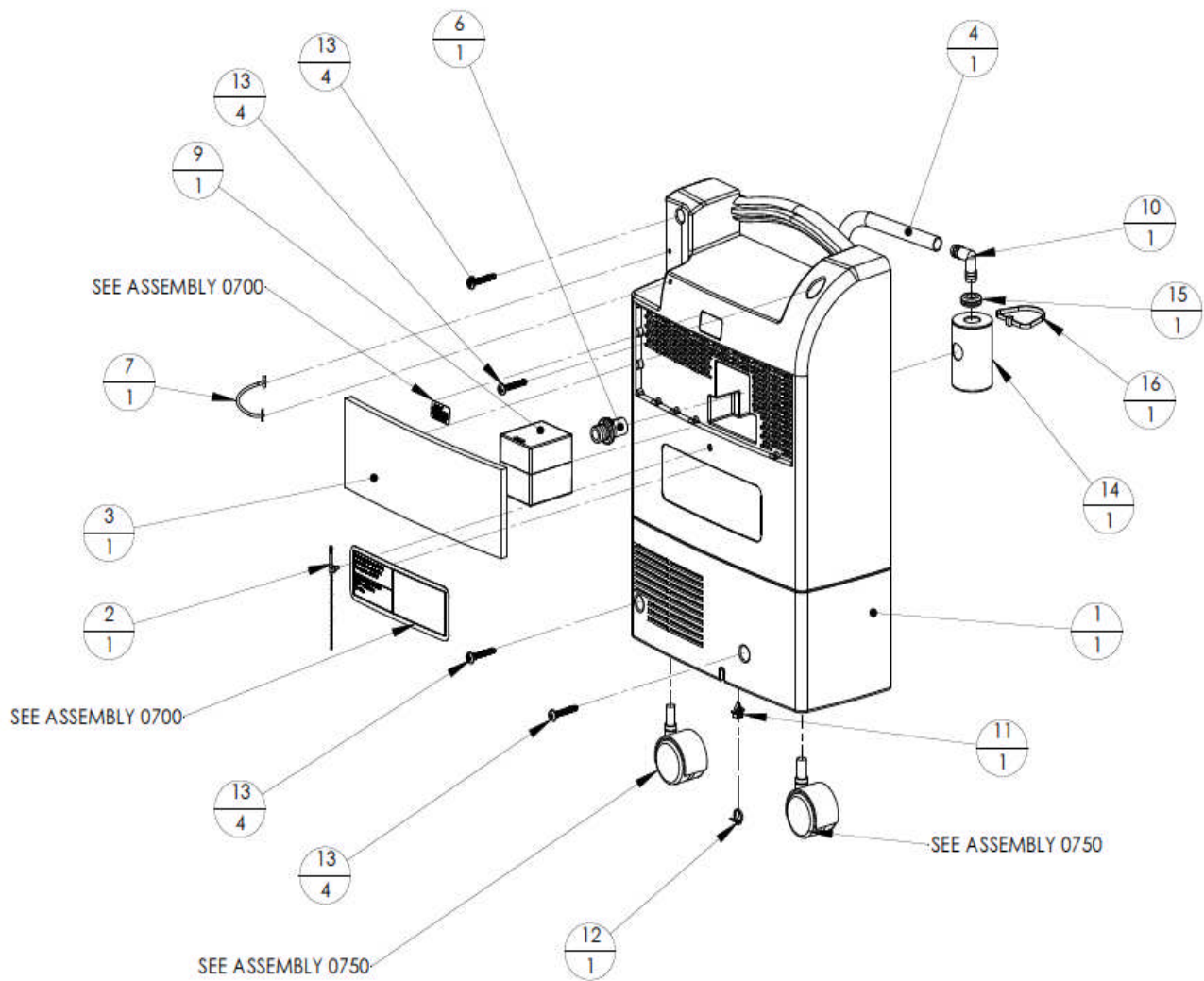
CABINET, FRONT ASSEMBLY OCSI

Part Reference Number	Call-Out Number	Part Description	Qty Required	Unit of Measure
8400-0002	1	CABINET,FRONT	1	EA
9251-1330	4	VALVE, FCV 1/8-5.0 LPM	1	EA
8400-1331	5	KNOB,FLOW 0.125 TO 5.0 FLOW	1	EA
9251-1332	6	RING,LOCK-OUT	1	EA
9251-1335	7	CLIP,D STYLE	1	EA
8400-1020	8	FITTING, OXYGEN OUTLET	1	EA
8400-1024	9	WASHER,3/8 STAR O2 OUTLET LITE	1	EA
8400-1022	10	NUT 3/8-24 O2 OUTLET LITE	1	EA
7631-1053	11	FILTER, FINAL PRODUCT	1	EA
6956-9674	12	VALVE, CHECK 1/4 HOSE MPC A975	1	EA
8400-1102	13	FOAM, ANTI VIBRATION	1	EA
7854-6051	14	HOSE 5/32 X 11/32 X 3 LG SILIC	1	EA
6491-1006	15	ADAPTER 1/4 ODT X 3/16 HOSE	1	EA
7854-6052	16	HOSE 5/32 X 11/32 X 2 LG SILIC	2	EA
7854-6055	17	HOSE 5/32 X 11/32 X 7"LG SIL	1	EA
9250-1041	18	HOSE 5/32 X 11/32 X 5 LONG SIL	1	EA
8400-1337	19	HOSE 1/8" ID X 1/4" OD 3" LG	1	EA
8400-1204	20	BOARD,TIMING OMS 9V 5LPM	1	EA
9250-1045	21	SCREW,PLASTITE#4X3/8" PAN.HD	8	EA
9251-1336	23	SCREW #6 X32 X.5"LG. FLUSH	2	EA

A-8-A

PARTS

FRONT CABINET ASSEMBLY OCSI MODEL



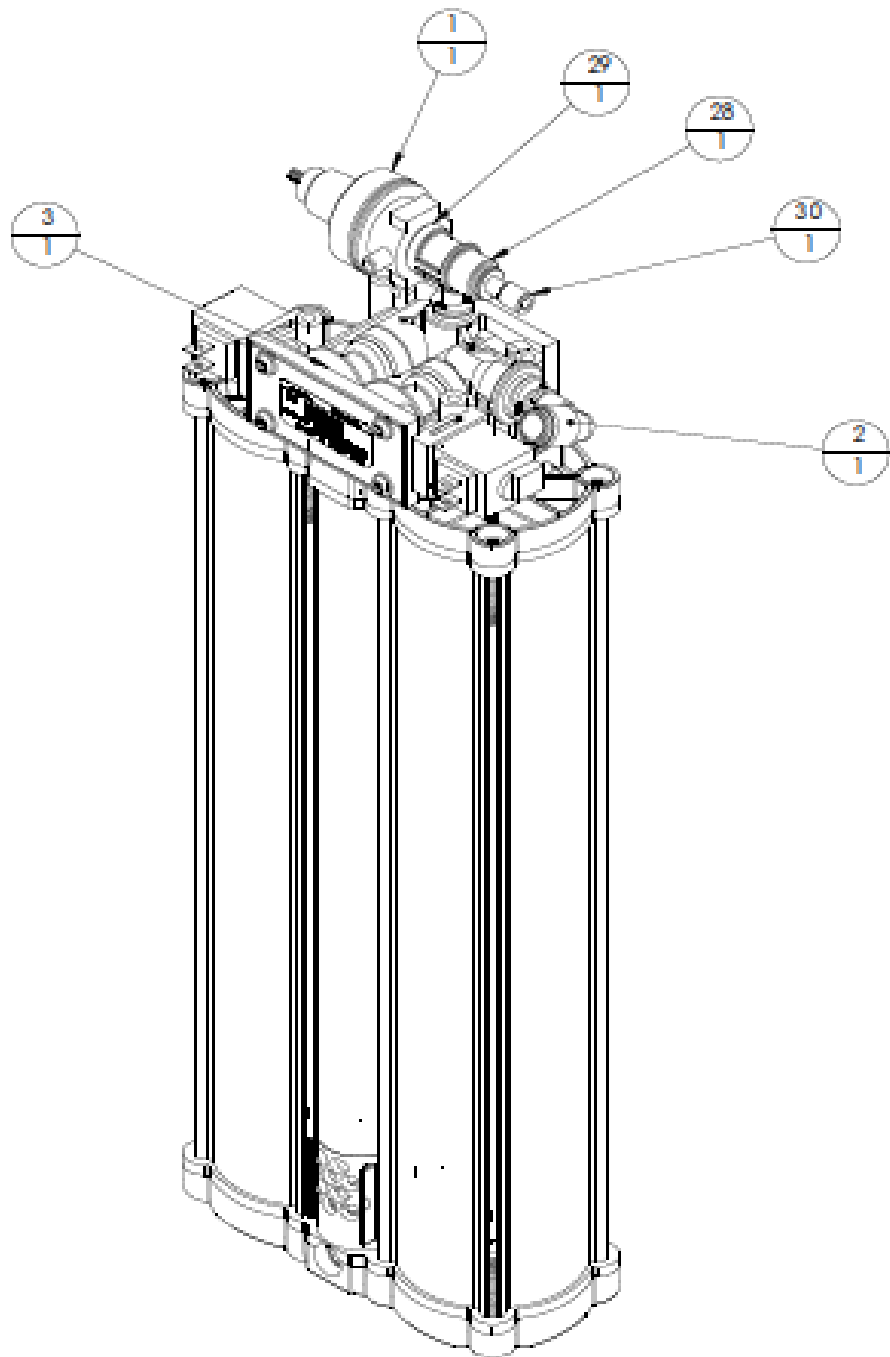
A-9

CABINET, BACK ASSEMBLY

Part Reference Number	Call-Out Number	Part Description	Qty Required	Unit of Measure
8400-0001	1	CABINET,BACK	1	EA
8400-0022	2	RETAINER,CORD	1	EA
8400-1025	3	FILTER,CABINET INLET	1	EA
8400-1028	4	HOSE, COMPRESSOR INLET.	1	EA
8400-1059	6	ADAPTER, FILTER	1	EA
8400-0029	7	RETAINER,CORD BUCKLE	1	EA
8400-0023	8	RETAINER,CORD RIVET	3	EA
8400-1180	9	FILTER AIR INLET.	1	EA
6814-9228	10	ELBOW, 1/2 DOUBLE BARB, NYLON	1	EA
5190-2233	11	HOLDER TIE WRAP	1	EA
9030-6008	12	TIE-WRAP 4.5" OVERALL	1	EA
8400-0013	13	SCREW, #14x 1-5"LG PLASTITE	4	EA
8400-1185	14	RESONATOR, INLET AIR	1	EA
9250-1030	15	GOMMET,RUBBER	1	EA
9250-1062	16	TIE-WRAP, 14" LONG	1	EA
8400-0032	17	PLUG BUNGEE HOLE 3/16" POWER CORD	1	EA

A-9-A

**PARTS
CABINET BACK ASSEMBLY MODEL**



A-10

MODULE NEW ASSEMBLY 5LPM

Part Reference Number	Call-Out Number	Part Description	Qty Required	Unit of Measure
8400-1060	1	REGULATOR, 2-PORT	1	EA
8400-1165	2	FITTING VALVE 5/16"X3/8	1	EA
8400-1200	3	VALVE ASSY	1	EA
8400-1236	28	TEE,ADAPTER NYLON	1	EA
8400-1253	29	O-RING, REGULATOR TEE -204	1	EA
8644-9401	30	PLUG, 1/4~ ODT PUSH IN	1	EA

A-10-A

MODULE ASSEMBLY REPLACEMENT PARTS