



[Click here to view detailed product descriptions and prices.](#)

Call 800-397-5899 to order today!

Re-Order #	Description	Size	Unit
707027	Oxygen Cylinder Holder - Single	Fit 16" - 24" Wheelchair	Each

Purpose

Skil-Care's Oxygen Cylinder Holder is designed to secure all "D" and "E" size oxygen cylinders to a standard wheelchair.

Easy to Use

E-Size Cylinder

1. Release snaps and open oxygen cylinder holder to its full length (*Fig. 1*).
2. Place oxygen cylinder in sleeve. Place top straps on push-handles and secure bottom straps to wheelchair frame (*Fig. 2*). Tighten all straps to limit movement of cylinder.

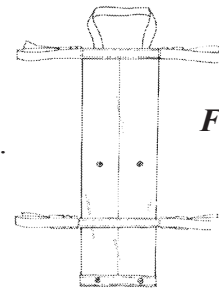


Fig. 1

D-Size Cylinder

1. Fold bottom of oxygen cylinder holder and secure snaps (*Fig. 3*).
2. Place oxygen cylinder in sleeve. Place top straps on push-handles and secure bottom straps to wheelchair frame (*Fig. 4*). Tighten all straps to limit movement of cylinder.

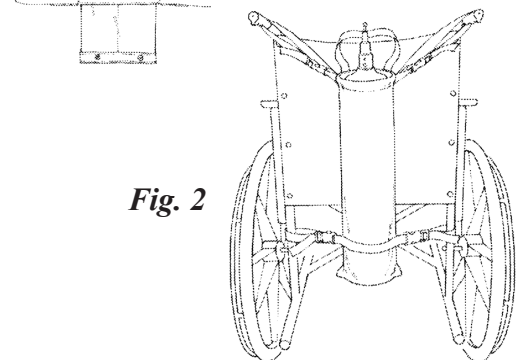


Fig. 2

Easy Care

Skil-Care's Oxygen Holder wipes clean with a damp cloth and mild cleanser. Do not launder.

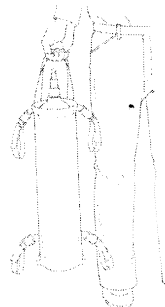


Fig. 4

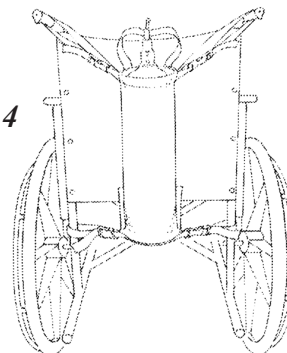


Fig. 3

Use the convenient carry handle to transport the oxygen cylinder.

Made In China