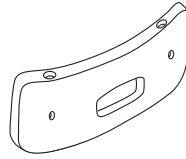
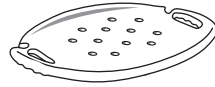


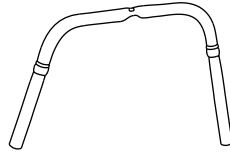
B651/B652



Backrest x 1



Seat x 1



U Bar x 2
Labeled "1"
and "2"



Leg Extensions x 4



L Bars x 2



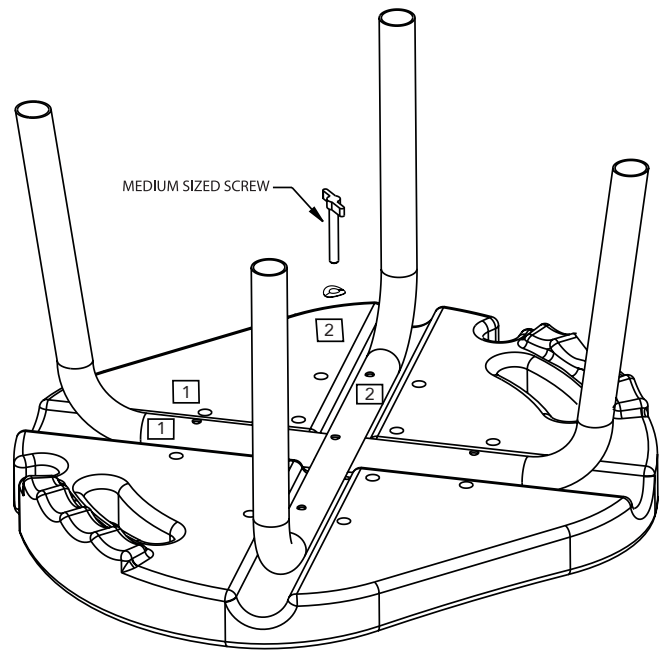
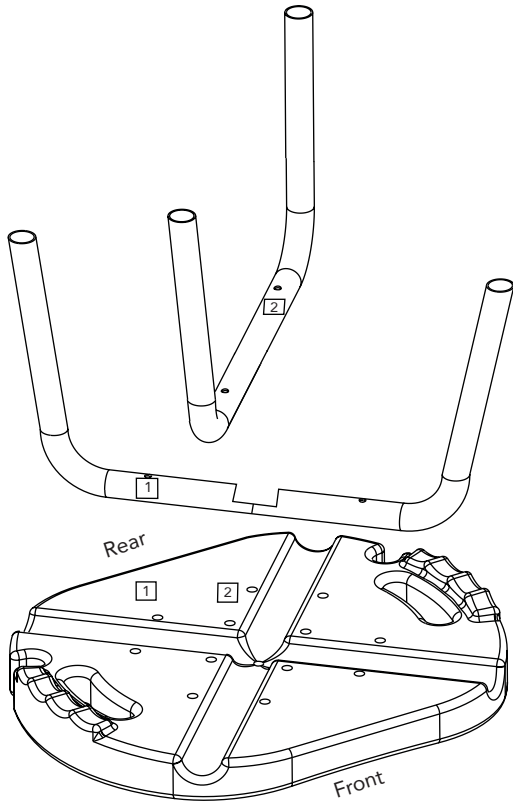
Washer x 5



Medium Screws x 1



Long Screws x 4



1 Place seat face down on a table or counter with the seat lip near the edge of the table. Place U bar labeled "1" on the groove in the seat so the "1" on the bar is next to the "1" on the seat. Place the U bar labeled "2" on the seat so the "2" on the bar is next to the "2" on the seat.

2 Find the 1 medium sized screw - **⚠WARNING** - medium screw **MUST** be used for the next step or damage to the seat will occur. Place medium screw with washer into center hole through both U bars and into the screw hole in the seat. Contour of washers should match curve of bar.

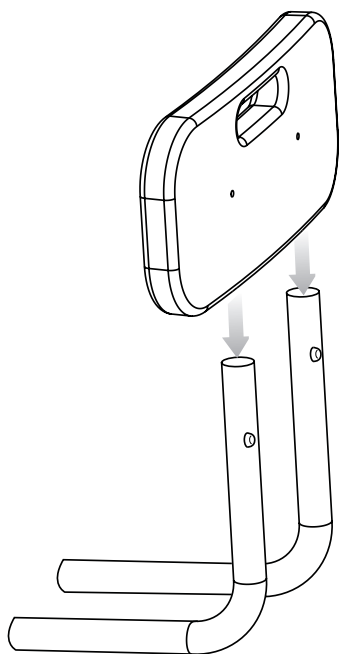
[Click here to view detailed product descriptions and prices.](#)

Call 800-397-5899 to order today!

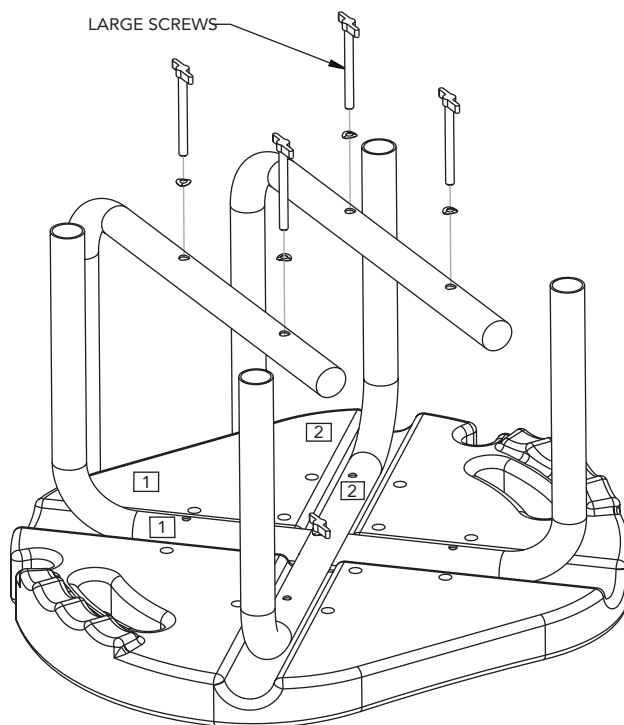
COMPASSHEALTH

Manufactured for: Compass Health Brands Corp.
Middleburg Heights, OH 44130
www.compasshealthbrands.com • 800.376.7263

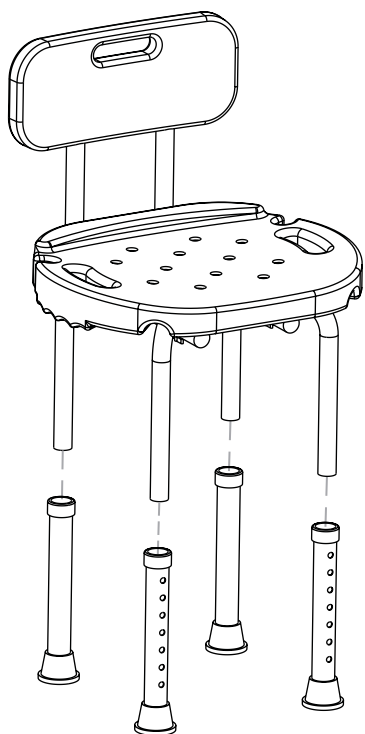
Made in China
42-B65100_11 ©2017



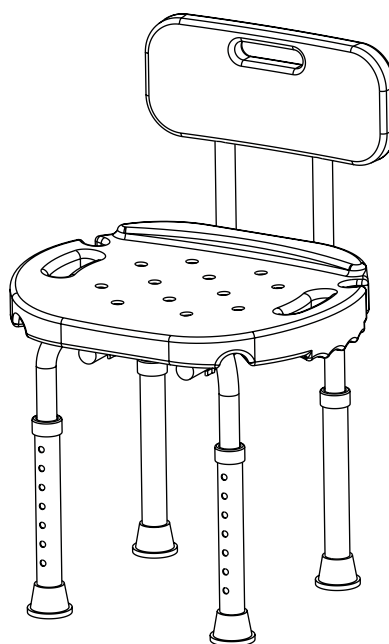
3 Attach backrest to both L bars. Press in the pop pins and line up with backrest holes. Assure pins are completely through the holes.



4 Place L bar over U bar holes so holes line up. Screw in using long screws - include washer. Do not tighten yet. Repeat with other L Bar. Tighten the 4 long screws. Tighten the middle medium screw. Periodically check to assure that all screws remain tight.



5 Slip leg extensions on, push copper pin and slide on, line up pin and hole so pin pops through leg extension hole completely. Repeat for all 4 legs. Adjust height so all legs are the same height.



6 Check for stability. Assure all pins are completely through the holes and legs are all the same height. Place Bath and Shower Bench in shower or bath. Periodically check to assure that all screws remain tight.