

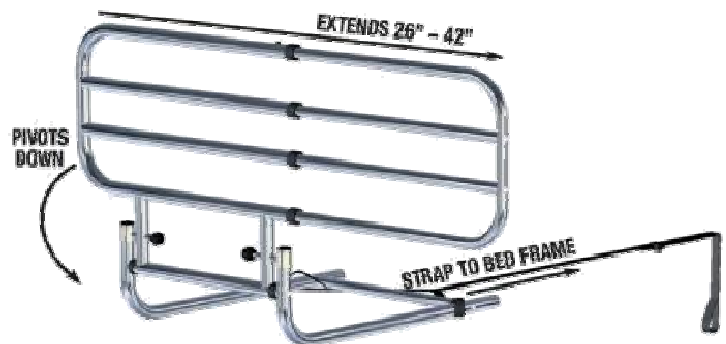
#8000 EZ ADJUST BED RAIL

Extendable Bed Rail Pivots Out of the Way



Adding a support rail to a bed gives caregivers peace of mind because it helps keep loved ones safe. Standers EZ Adjust Bed Rail #8000 is the only bed rail that expands after installation. The EZ Adjust Bed Rail works well as a side rail for preventing falls, as well as a support bar for getting in and out of bed. The unique feature of the EZ Adjust Bed Rail is that it can be adjusted to 3 different widths on the bed, 26", 34" and 42", so you can select the amount of accessibility or protection you need. The rail also folds down and out of the way when it isn't in use - a great feature when it's time to make the bed. The EZ Adjust Bed Rail can be installed on either side of the bed in between the mattress and box spring. It has two straps that attach to the bed frame which keeps it from getting bumped out of place. Works well on any size home or hospital bed rail and at 23" high it accommodates the thicker pillow top mattresses

Adjustable length allows for use as both a bed rail to prevent falling out of bed or as a hand rail to assist in getting out of bed, easily adjusts from 26" to 34" to 42" after it has been placed on the bed, rail folds down to side of bed to allow user to get out of bed or provide space for making bed, can be placed on either side of the bed, dual safety strap-secures bed rail to bed frame, works on any size home or hospital bed and at 23" high it accommodates the thicker pillow top mattresses



8000 EZ Adjust Bed Rail

Extendable Bed Rail Pivots Away

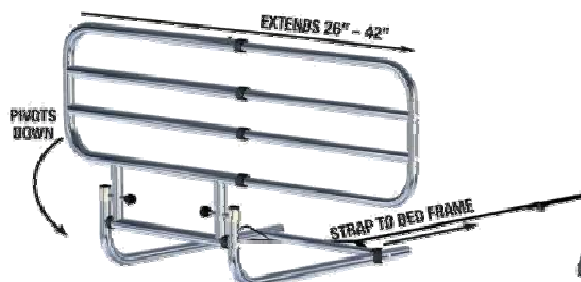


Features and Benefits:

- **Bed Rail/Hand Rail**-Adjustable length allows for use as both a bed rail to prevent falling out of bed or as a hand rail to assist in getting out of bed
- **Adjustable**-Bed rail easily adjusts from 26" to 34" to 42" after it has been placed on the bed
- **Collapsible**-Rail folds down to side of bed to allow user to get out of bed or provide space for making bed
- **Reversible**-Can be placed on either side of the bed
- **Dual Safety Strap**-Secures bed rail to any home or hospital bed. Accommodates up to King size beds

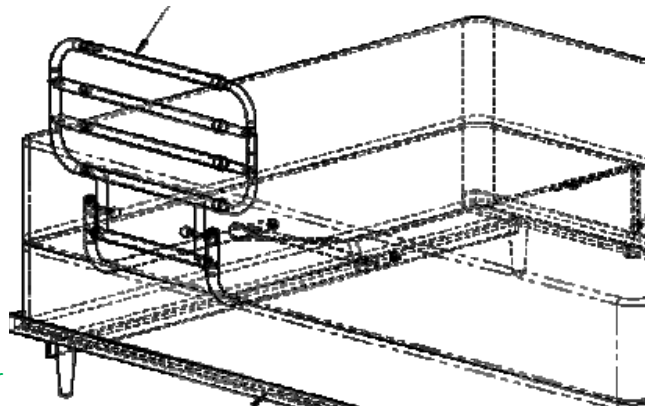
Specifications:

- **Width of Rail: Locks in place at 26", 34" & 42"** after installed on bed
- **Height of Rail: 23"** high from the base of mattress
- **Gap Between Rails: 3"**
- **Made for Bed Type:**Attaches to any home or hospital bed with included Safety Strap
- **Weight of Product: 14 lbs**
- **Weight Capacity: 400 lbs**
- **Assembly: Installs in minutes with 4 bolts and Alan Wrench (Included)**
- **Package Dimensions: 28" x 21" x 1.5"** Case Dimensions: 4/case, 28" x 21" x 6" 60lbs



Frequently Asked Questions:

- **How does it attach to the bed?** *A dual safety strap loops around the bed frame on the opposite side of the bed and secures it to the bed frame. Fits up to King sized beds*
- **Does it work on a Craftmatic or adjustable bed?** *Yes, just secure the bed rail above or below where the bed folds. Here is a recent customer testimonial from J. Phillips in Florida: "This rail is well made, sturdy—neat in appearance, fits well on a Craftmatic-type adjustable bed and can be dropped below the side for easy reach to the patient or loved one. Also, my mother has no difficulty in pushing the buttons to extend the rail for added safety"*
- **Can it be used on a hospital bed?** *Yes*
- **How hard is it to assemble?** *It is quickly assembled with 4 bolts and an included Allen wrench; no other tools are required*
- **Can the person in bed lower the rail?** *Yes. Pull the pins and let the rail down. When raised the rail will pop back into place*
- **Is it height adjustable?** *No. The rail is 23" high from the base of the mattress which is high enough to accommodate most pillow top mattresses.*



Key Sales Points:

- The only bed rail that can adjust in length after it is installed on the bed
- The only bed rail that can be used as both a bed rail to prevent falling out of bed, 42", and as a hand rail to assist in getting in and out of bed, 26"
- 23" high, enough to accommodate the taller pillow top mattresses

