

ENDOPATH

The ENDOPATH[®] Trocar Portfolio

More options, more value



ETHICON
PART OF THE *Johnson & Johnson* FAMILY OF COMPANIES

Shaping
the future
of surgery

For Camera Ports

ENDOPATH XCEL[®] Trocars with OPTIVIEW[®] Technology

Reduce smudging during endoscope reinsertion by wiping, wicking and absorbing fluid buildup in the trocar



OPTIVIEW
Technology
Sub-assembly

Most effective smudge mitigation vs leading 5mm trocars¹

- At least 59% more effective than Covidien Versaport™ and VersaStep™ Bladeless Trocars
- At least 58% more effective than Applied Medical Kii® and Kii Fios® Trocars

Most effective smudge mitigation vs leading 12mm trocars¹

- At least 66% more effective than Covidien Versaport and VersaStep Bladeless Trocars
- At least 74% more effective than Applied Medical Kii and Kii Fios Trocars

Reduced smudging means fewer procedural disruptions¹

- Reduces disruptions of re-wiping the endoscope
- Minimizes the cumulative time needed to clean the endoscope

OPTIVIEW Technology is available in 5mm and 12mm ENDOPATH XCEL Bladeless Trocars, Dilating Tip Trocars, and Universal Sleeves. Also available in 12mm blunt tip trocars.



Bladeless



Dilating Tip



Universal Sleeve

¹ Comparing mean number of insertions for 5mm trocars out of 10 insertions with a quality index score of 92 or higher for 2B5LT (6.4 insertions) to COQ04/CFR03/CTRO3/CTF03/CFI13 (0.5 insertions), NB55TF/VS101005 (0.4 insertions) in benchtop tests, P<0.05. Comparing mean number of insertions for 12mm trocars out of 15 insertions with a quality index score of 92 or higher for 2B12LT (11.6 insertions) to CTF73/COR29/CFI83/CF73/CFR73/COR47 (0.4 insertions), NB12STF/VS101012P (1.6 insertions) in benchtop tests, P<0.05. Quality index score of 92 or higher indicates a less than 20% chance of having to re-wipe the endoscope lens due to trocar induced smudging.

For Working Ports

ENDOPATH XCEL[®] Trocars enable smooth instrument exchanges

**The world's most preferred trocar for a reason
— access you can rely on**

Available in the broadest range of sizes and lengths, ENDOPATH XCEL Trocars are designed to support frequent instrument exchanges.

Low insertion force

Controlled and predictable entry has helped ENDOPATH XCEL Trocars earn your trust.

- ENDOPATH XCEL Bladeless Trocars have the lowest peak insertion force compared to leading Covidien, Applied Medical and Taut Bladeless Trocars²

Abdominal wall retention

Integrated thread design on bladeless, universal sleeve and dilating tip cannulas help minimize trocar slip-outs.

- Greater stability demonstrated in bladeless trocars:
 - 5mm ENDOPATH XCEL Bladeless Trocars have twice as much peak retention force compared to leading 5mm Applied Medical Trocars with threaded sleeves³
 - 12mm ENDOPATH XCEL Bladeless Trocars have higher peak retention force than leading 12mm Applied Medical Bladeless Trocars⁴

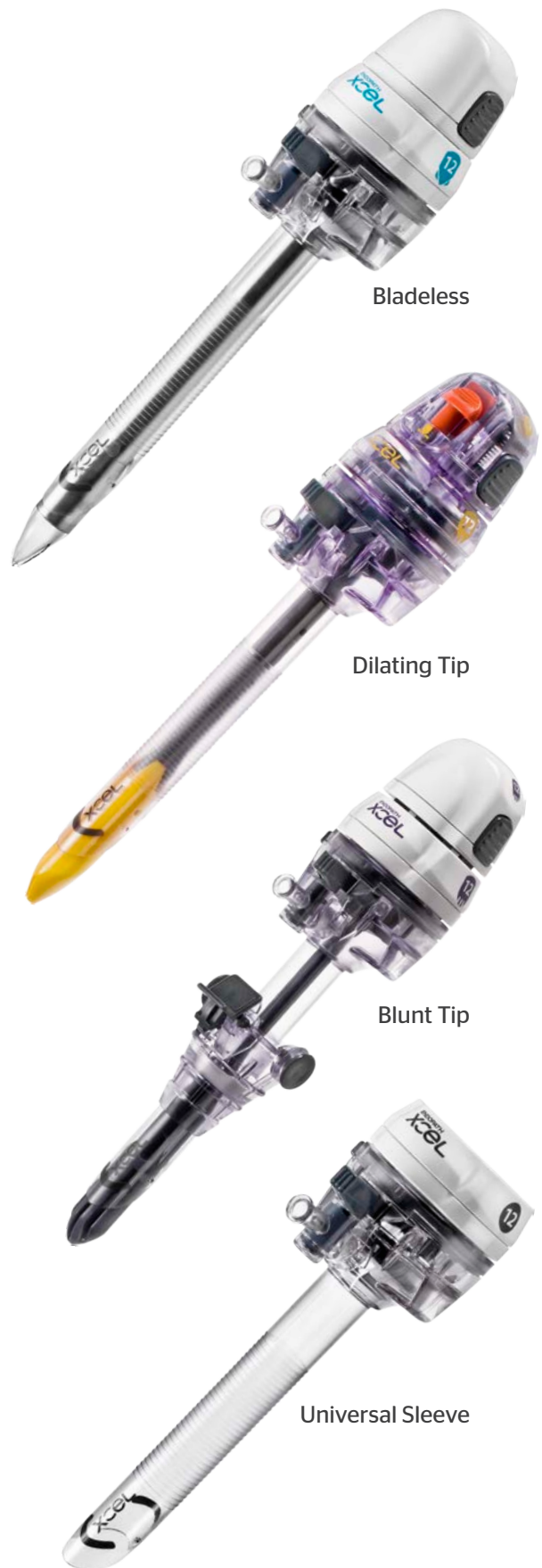
Low drag force

Housing and seal are designed to reduce instrument hang-ups and provide low instrument insertion/extraction forces.

Direct visualization

Bladeless tip trocar allows for endoscopic optical entry.

Available in bladeless trocars, dilating tip trocars, blunt tip trocars and universal sleeves in various diameters.



2. Comparing mean abdominal wall peak insertion forces of 2B5LT/B5LT (10.7lb) to CFR03/CFF03 (21.5lb), CTR03/CTF03 (12.5lb), COQ04/CFI13 (12.2lb), NB55TF (12.0lb) and 40510 (12.7lb) and mean abdominal wall peak insertion forces of 2B12LT/B12LT (19.2lb) to CTF73 (23.1lb), COR29/CF183 (24.3lb), CFR73/CFF73 (31.7lb), NB12STF (29.6lb) and 41210 (26.0lb), in a preclinical model, P<0.05.

3. Comparing mean abdominal wall retention forces of 2B5LT/B5LT (8.3lb), CTF03/CTR03 (4.1lb) and COQ04/CFI13 (4.1lb), in a preclinical model, P<0.05.

4. Comparing mean abdominal wall retention forces of 2B12LT/B12LT (16.1lb), CTF73 (8.8lb), CFR73/CFF73 (14.4lb) and COR29/CF183 (11.9lb), in a preclinical model, P<0.05.

For Retraction Ports

ENDOPATH BASX® Trocars deliver fundamental quality

Standard functionality is now available for less active ports

Provides the reliability of ENDOPATH Trocars without the premium price.

Low insertion force

For controlled and confident entry.

- No leading bladeless trocar from Applied Medical, Covidien or Taut has lower peak insertion force than ENDOPATH BASX Bladeless Trocars⁵

Seal durability

Maintains insufflation while accommodating a wide range of instrument sizes.

- No reducer caps needed

Abdominal wall retention

Integrated thread design minimizes trocar slip-outs.

- 5mm ENDOPATH BASX Bladeless Trocars have the same peak retention force as leading 5mm Applied Medical Bladeless Trocars with threaded sleeves⁶
- No leading 12mm Applied Medical Bladeless Trocar has higher peak retention force than 12mm ENDOPATH BASX Bladeless Trocars⁷

Available in 5mm, 11mm and 12mm bladeless trocars and universal sleeves.



Bladeless



Universal Sleeve

5. Comparing mean abdominal wall peak insertion forces of TB5LT (11.9 lb) to CFR03/CFF03 (21.5lb), CTRO3/CTF03 (12.5lb), COQ04/CFI13 (12.2lb), NB5STF (12.0lb) and 40510 (12.7lb) and mean abdominal wall peak insertion forces of TB12XT (23.7lb) to CTF73 (23.1lb), COR29/CFI83 (24.3lb), CFR73/CFF73 (31.7lb), NB12STF (29.6lb) and 41210 (26.0lb), in a preclinical model, P<0.05.

6. Comparing mean abdominal wall retention forces of TB5LT (5.2lb) to CTF03/CTRO3 (4.1lb) and COQ04/CFI13 (4.1lb), in a preclinical model, P<0.05.

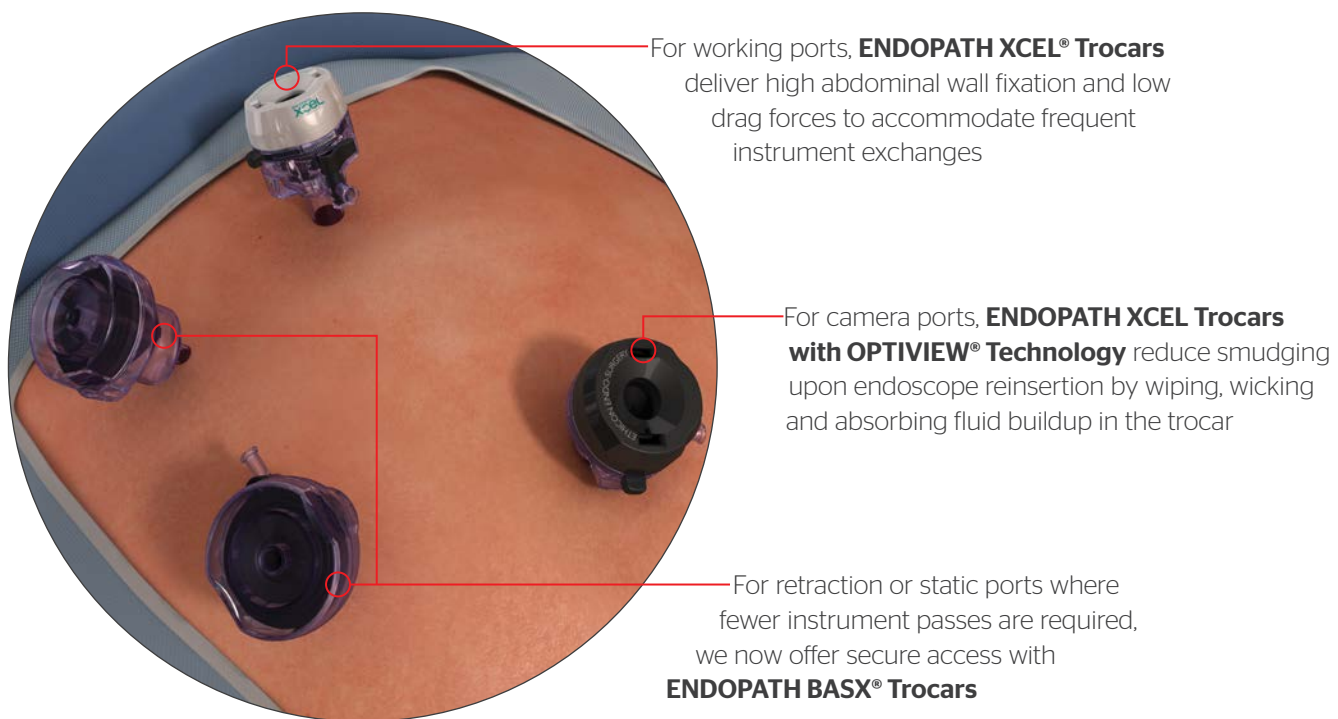
7. Comparing mean abdominal wall retention forces of TB12LT (13.1lb) to CTF73 (8.8lb), CFR73/CFF73 (14.4lb) and COR29/CFI83 (11.9lb), in a preclinical model, P<0.05.

The ENDOPATH® Trocar Portfolio from ETHICON brings value to every procedure

Now you have the flexibility to choose the trocar with the right level of performance, when and where it's needed

Each port serves a different function in a procedure, therefore not all ports require the same level of functionality. That's why Ethicon developed a portfolio of solutions that offers consistent, dependable access – with the flexibility to choose the right trocar for the right job.

With reliable options across the portfolio, you can confidently choose a combination of ENDOPATH Trocars for each procedure to better manage costs and help deliver successful patient outcomes.



It's your choice.

Choose the combination of ENDOPATH Trocars that deliver performance and value to every procedure.

Ordering Information

Camera Ports

ENDOPATH XCEL® Trocars with OPTIVIEW® Technology

| Bladeless trocars | | |
|-------------------|---------------------------------|--------|
| Code | Description | Length |
| 2B5ST | Stability sleeve, 5mm diameter | 75mm |
| 2B5LT | Stability sleeve, 5mm diameter | 100mm |
| 2B5XT | Stability sleeve, 5mm diameter | 150mm |
| 2B12LT | Stability sleeve, 12mm diameter | 100mm |
| 2B12XT | Stability sleeve, 12mm diameter | 150mm |

Dilating tip trocars

| | | |
|--------|---------------------------------|-------|
| 2D5ST | Stability sleeve, 5mm diameter | 75mm |
| 2D5LT | Stability sleeve, 5mm diameter | 100mm |
| 2D12LT | Stability sleeve, 12mm diameter | 100mm |
| 2D12XT | Stability sleeve, 12mm diameter | 150mm |

Blunt tip trocars

| | | |
|--------|---------------------------------|-------|
| 2H12LP | Stability sleeve, 12mm diameter | 100mm |
|--------|---------------------------------|-------|

Universal sleeves

| | | |
|---------|---------------------------------|-------|
| 2CB5ST | Stability sleeve, 5mm diameter | 75mm |
| 2CB5LT | Stability sleeve, 5mm diameter | 100mm |
| 2CB12LT | Stability sleeve, 12mm diameter | 100mm |

Ancillary Ports

ENDOPATH BASX® Trocars

| Bladeless trocars | | |
|-------------------|---------------------------------|--------|
| Code | Description | Length |
| TB5ST | Stability sleeve, 5mm diameter | 75mm |
| TB5LT | Stability sleeve, 5mm diameter | 100mm |
| TB11LT | Stability sleeve, 11mm diameter | 100mm |
| TB12ST | Stability sleeve, 12mm diameter | 75mm |
| TB12LT | Stability sleeve, 12mm diameter | 100mm |

Universal sleeves

| | | |
|---------|---------------------------------|-------|
| CTB5ST | Stability sleeve, 5mm diameter | 75mm |
| CTB5LT | Stability sleeve, 5mm diameter | 100mm |
| CTB11LT | Stability sleeve, 11mm diameter | 100mm |
| CTB12LT | Stability sleeve, 12mm diameter | 100mm |

ENDOPATH BASX Trocars are available only with a nonoptical bladeless obturator.

Active Ports

ENDOPATH XCEL® Trocars

| Bladeless trocars | | |
|-------------------|---|--------|
| Code | Description | Length |
| B5ST | Stability sleeve, 5mm diameter | 75mm |
| B5LT | Stability sleeve, 5mm diameter | 100mm |
| B5XT | Stability sleeve, 5mm diameter | 150mm |
| B8LT | Stability sleeve, 8mm diameter | 100mm |
| B11LT | Stability sleeve, 11mm diameter | 100mm |
| B11LP | Smooth sleeve, 11mm diameter | 100mm |
| B11LTH | Handled stability sleeve, 11mm diameter | 100mm |
| B11LPH | Handled smooth sleeve, 11mm diameter | 100mm |
| B12SRT | Stability sleeve, 12mm diameter | 75mm |
| B12LT | Stability sleeve, 12mm diameter | 100mm |
| B12LP | Smooth sleeve, 12mm diameter | 100mm |
| B12LTH | Handled stability sleeve, 12mm diameter | 100mm |
| B12LPH | Handled smooth sleeve, 12mm diameter | 100mm |
| B12XT | Stability sleeve, 12mm diameter | 150mm |
| B15LT | Stability sleeve, 15mm diameter | 100mm |

Dilating tip trocars

| | | |
|-------|---------------------------------|-------|
| D5ST | Stability sleeve, 5mm diameter | 75mm |
| D5LT | Stability sleeve, 5mm diameter | 100mm |
| D11LT | Stability sleeve, 11mm diameter | 100mm |
| D12LT | Stability sleeve, 12mm diameter | 100mm |
| D12XT | Stability sleeve, 12mm diameter | 150mm |

Blunt tip trocars

| | | |
|-------|------------------------------|-------|
| H12LP | Smooth sleeve, 12mm diameter | 100mm |
|-------|------------------------------|-------|

Universal sleeves

| | | |
|--------|---------------------------------|-------|
| CB5ST | Stability sleeve, 5mm diameter | 75mm |
| CB5LT | Stability sleeve, 5mm diameter | 100mm |
| CB11LT | Stability sleeve, 11mm diameter | 100mm |
| CB12LT | Stability sleeve, 12mm diameter | 100mm |

Instruments per Sales Unit: 6

How to Order

All purchase orders are made to Johnson & Johnson Health Care Systems, Inc. (JJHCS) or your authorized distributor.

Electronic Ordering Options

(Note: Placing orders electronically avoids minimum order fees for your hospital.)

Johnson & Johnson Gateway: www.jnjgateway.com/commerce

For questions about your order, visit the website or call 1-866-JNJ-GATE (565-4283).

Global Healthcare Exchange (GHX): www.ghx.com

For questions about your order, visit the website or call 1-800-YOUR-GHX (968-7449).

Electronic Data Interchange (EDI): JJHCS EDI Help Line: 1-800-262-2888

Nonelectronic/Manual Ordering Options

Call JJHCS at 1-800-255-2500 between 8:30 a.m. and 9:00 p.m. Eastern Standard Time or fax your order to 1-732-562-2212.

Customer Support

For product use assistance, clinical guidelines, service and repair, emergency assistance, copy of a 510(k) clearance letter or complaints, please contact our Customer Support Center at **customersupport@eesus.jnj.com** or by calling **1-877-ETHICON** (384-4266). Our Support Center is staffed 24 hours a day, 7 days a week by qualified nurses to answer your product-related questions.