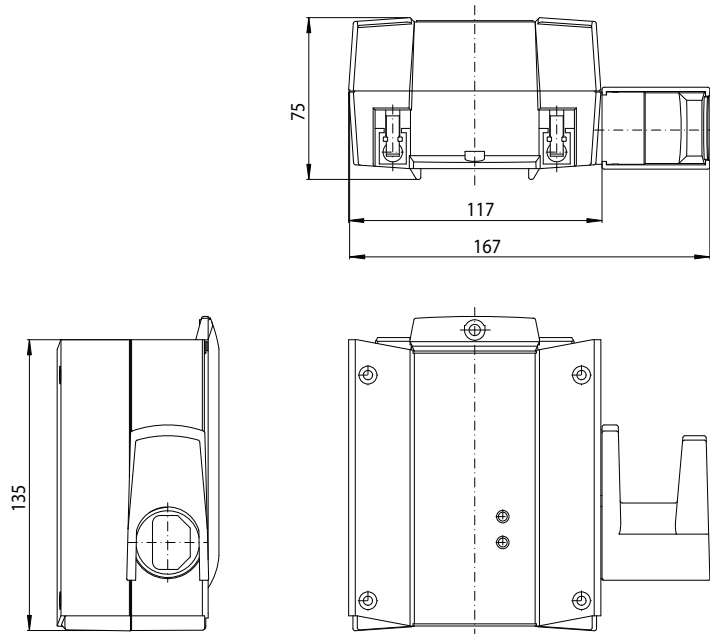
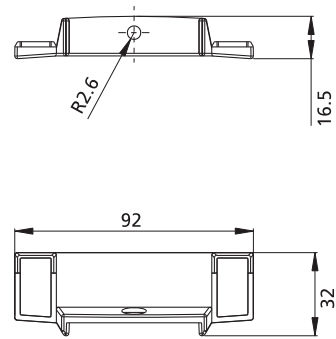


CHJ2:



Bottom cover:



## CHJ2

Ordering example:

CHJ2 00 000 0 0 A 01 1

- IP protection:** 1 = Standard (IP 65)
- Front cover:** 01 = Standard
- Cable:**
  - A Straight cable EU 2P (black)
  - B Coiled cable EU 2P (black)
  - C Straight cable JAPAN 2P (black)
  - D Straight cable UK, angel 2P (black)
  - F UL cable 2P (black)
  - G Straight cable EU 2P (grey)
  - H Coiled cable EU 2P (grey)
  - I Straight cable AUS 2P
  - K Straight cable AUS 2P
  - L Straight cable Switzerland 2P
  - J Without cable
- Voltage:** 0 = 100 - 240 V
- Option:**
  - 1 = With Cable hook (RAL 7035)
  - 2 = With cable hook (RAL7016)
  - 3 = Without cable hook
- Colour:**
  - 000 = Dark grey (RAL 7016)
  - 001 = Pale grey (RAL 7035)
- Not used**
- Type:** Charger CHJ2

Specifications subject to change without prior notice.

It is the responsibility of the product user to determine the suitability of LINAK A/S products for a specific application. LINAK will at point of delivery replace/repair defective products covered by the warranty if promptly returned to the factory. No liability is assumed beyond such replacement/repair.