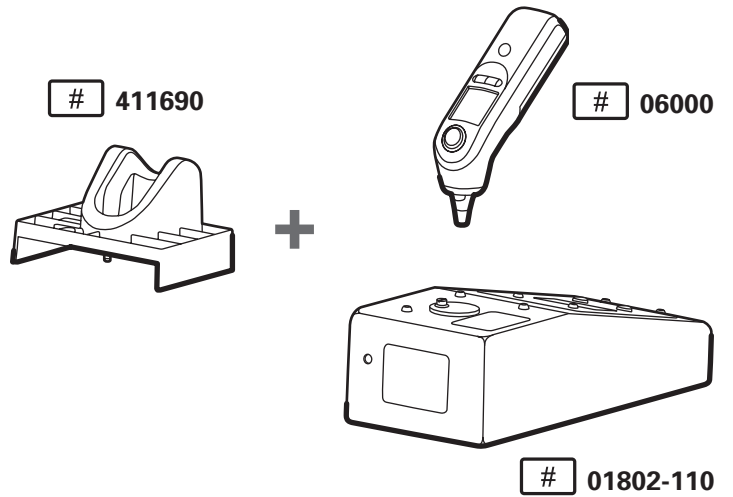
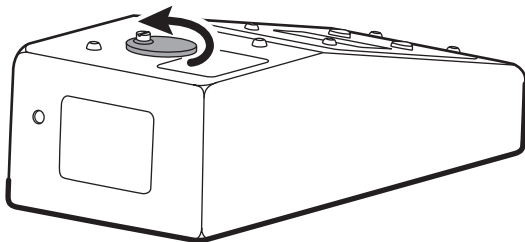


Braun Pro 6000 Calibration Fixture Assembly Instructions

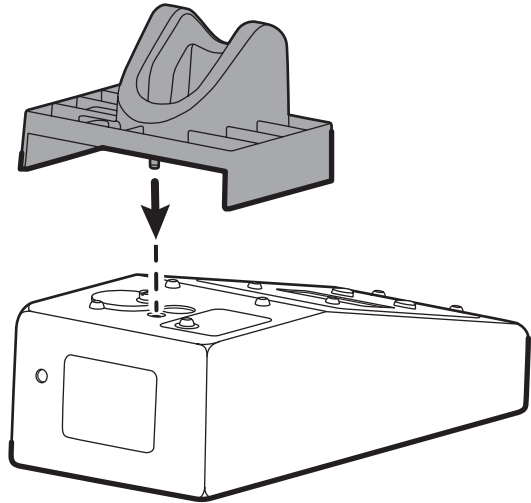
MDID
Medical Device Depot Inc.
www.medicaldevicedepot.com
Toll Free 1-877-646-3300



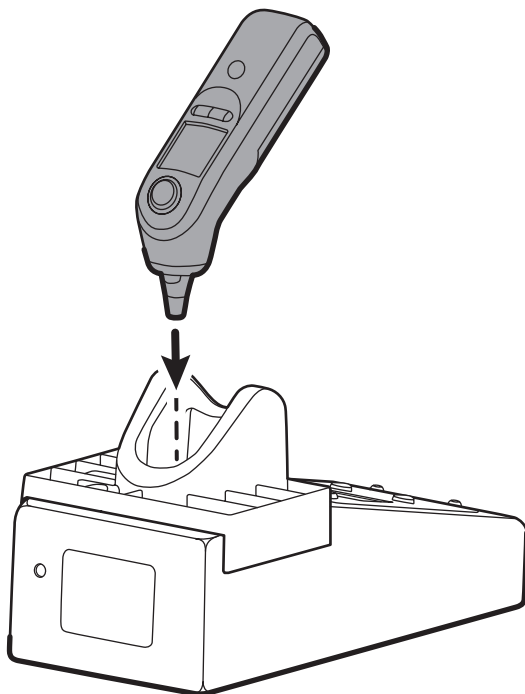
1



2



3



4

