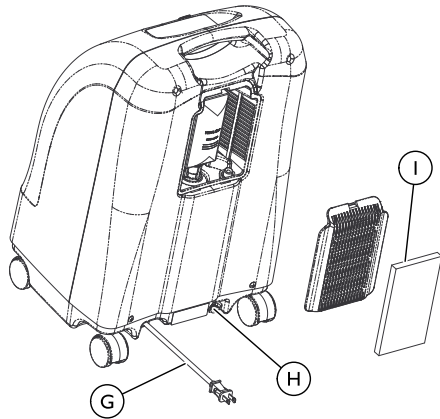


## Rear View



Ⓒ	Power Cord
Ⓗ	HomeFill Outlet Fitting
Ⓘ	Cabinet Filter

**i** The HomeFill outlet fitting **Ⓗ** is to be used only for filling oxygen cylinders with the HomeFill home oxygen compressor. The outlet fitting does not affect concentrator performance. Refer to the HomeFill user manual, part number 1100873, for connection and operating instructions. When not in use, the plug provided with the concentrator should be inserted into the outlet fitting. For more information about the HomeFill, contact your Invacare dealer.