

# PAL2



The fixed portable PAL2 pool lift features a sleek, modern design and attractive matte finish. It comes standard with our Secure-It Kit which allows the lift to be fixed to the deck.

- Third-party tested and verified ADA compliant
- Integrated armrests
- State of California compliant
- 300 lb/136kg lifting capacity
- Easy to move by one person
- LiftOperator® Intelligent Controller
- 240° rotation helps ensure safe transfer
- Powder-coated stainless steel and aluminum construction



## Lift Color



GRAY MIST

Due to printing technology actual color may differ.

## Secure-It Kit



200-1090A

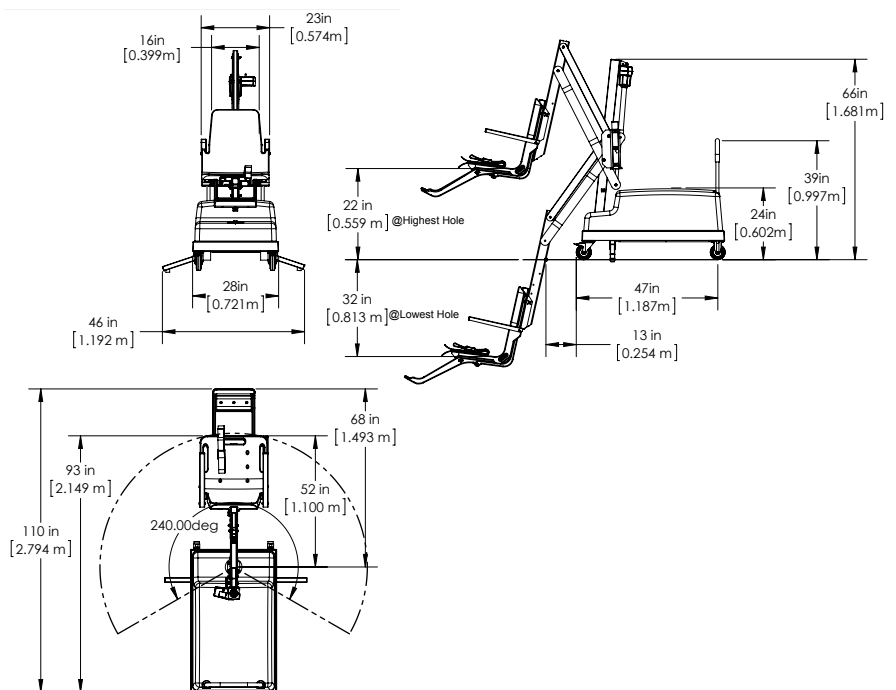
Model No.	Description Pool Lift with Armrests	Shipping – (Class 85)			
		Weight	Length	Width	Height
202-0000	PAL2	1200 lbs 544kg	40" 102cm	49.5" 124cm	57" 145cm
202-0000K	PAL2, Activation Key	1200 lbs 544kg	40" 102cm	49.5" 124cm	57" 145cm

### Notes:

- Includes battery, charger, battery console cover, water-resistant hand control, footrest, seatbelt assembly, armrests, and Secure-It Kit

### Parts & Accessories:

- 1001495 Battery
- 920-5000 Cover
- 200-1090A PAL Secure-It Kit (standard)
- 900-1000 Seat Belt
- 900-6000 Stability Strap
- 500-1000 Spineboard Attachment
- 970-5000 Seat Saver Cover
- 170-3000A Armrest Replacement (pair)



A completed Deck Profile form is required with your pool lift order.

