

Assist Rails/Rampes de lit

en Model 6632 User Manual	1
fr-ca Modèle n° 6632 Manuel d'utilisateur.....	5

General

en

Symbols

Signal words are used in this manual and apply to hazards or unsafe practices which could result in personal injury or property damage. See the information below for definitions of the signal words.



DANGER!

– Danger indicates an imminently hazardous situation which, if not avoided, will result in death or serious injury.



WARNING!

– Warning indicates a potentially hazardous situation which, if not avoided, could result in death or serious injury.



CAUTION!

– Caution indicates a potentially hazardous situation which, if not avoided, may result in property damage or minor injury or both.



Gives useful tips, recommendations and information for efficient, trouble-free use.

Safety

General Guidelines

The 6632 assist rails are ONLY to be used with the following Invacare Beds: 5410LOW, 5411LOWIVC, 5410IVC, 5411IVC, 5310IVC, 5311IVC and 5307IVC.



DANGER!

Risk of Death, Injury or Damage

Improper use of this product may cause injury or damage.

- If you are unable to understand the warnings, cautions or instructions, contact a healthcare professional, dealer or technical personnel before attempting to use this equipment.
- Do not use this product or any available optional equipment without first completely reading and understanding these instructions and any additional instructional material such as user manuals, service manuals or instruction sheets supplied with this product or optional equipment.

Continued use of the product with damaged parts could lead to the product malfunctioning, causing injury to the user and/or caregiver.

- Check ALL product components and carton for damage, and test components before use. DO NOT use product if components are damaged or if product is not working properly. Contact a qualified technician or Invacare for repair.



DANGER!

Risk of Injury or Death

Bed accessories designed by other manufacturers have NOT been tested by Invacare. Use of Non-Invacare bed accessories may result in injury or death.

- Use ONLY Invacare rails, mattresses, bed extenders and other accessories with Invacare bed products.



THE INFORMATION CONTAINED IN THIS DOCUMENT IS SUBJECT TO CHANGE WITHOUT NOTICE.



**DANGER!****Risk of Death, Injury, or Damage**

Variations in bed rail dimensions, and mattress thickness, size or density could increase the risk of entrapment.

- Proper patient assessment and monitoring, and proper maintenance and use of equipment is required to reduce the risk of entrapment.
- Visit the FDA website at <http://www.fda.gov> to learn about the risks of entrapment. Review “A Guide to Bed Safety”, published by the Hospital Bed Safety Workgroup. Use the link located under each bed rail product entry to access this bed’s safety guide.

**DANGER!****Risk of Death, Injury or Adverse Health Consequences**

Fall hazard exists due to incorrect installation of bed rails

- To avoid injury, ensure that the Invacare bed rails are installed correctly and securely attached to the bed while entering or exiting.

Fall hazard exists due to use of NON-Invacare bed rails. Non-Invacare bed rails are potentially incompatible with Invacare beds.

- To avoid injury, ensure that only Invacare bed rails are used with Invacare beds at all times.

**DANGER!****Risk of Death, Injury or Damage**

Patient entrapment from the use of bed side rails may cause injury or death. To avoid patient entrapment:

- The Invacare mattress MUST fit firmly against the bed frame AND bed side rails to prevent patient entrapment. Follow the manufacturer’s instructions. Monitor patient frequently. Read and understand the User Manual prior to using the Invacare bed and bed rails. User manuals are available at www.invacare.com or your dealer.
- After any adjustments, repair or service and before use, make sure all attaching hardware is tightened securely.

**DANGER!****Risk of Death, Injury or Damage**

Conditions such as restlessness, mental deterioration and dementia or seizure disorders (uncontrolled body movement), sleeping problems, and incontinence can significantly impact a patient’s risk of entrapment. Pediatric patients or patients with small body size may also have an increased risk of entrapment.

- Monitor patients with these conditions frequently.
- Place mattress deck in the flat position when left unattended.

**DANGER!****Risk of Death, Injury or Damage**

To avoid entrapment, product damage and/or personal injury:

- When used with a manual/electric bed, the bed rails DO NOT fall under any weight limitations. Bed rails can be deformed or broken if excessive side pressure is exerted on the bed rails. These bed rails are used for the purpose of preventing an individual from inadvertently rolling out of bed. The bed rails are not intended nor may be used for restraint purposes. If an individual is capable of injuring himself/herself, a physician or a healthcare professional should be consulted for alternative means of safe restraint.
- After raising/lowering the head/foot end of the electric bed, check the distance between the bottom of the bed rail and the mattress. If there is excessive distance between the bottom of the bed rail and the mattress in which individuals may become entangled, adjust the height of the bed rail (if applicable), or provide alternative means of patient protection.
- DO NOT use the side rails as push handles for moving the electric bed.
- Replacement mattresses and bed side rails with dimensions different from the original equipment supplied or specified by the bed frame manufacturer are not interchangeable. Variations in bed side rail design, width and thickness or firmness of the mattress could cause/contribute to entrapment.

**DANGER!****Risk of Death, Injury or Damage**

To avoid death, injury or damage due to improper maintenance or inspection: Always maintain and inspect equipment per the instructions in this manual. Contact a qualified technician or Invacare if any of the following issues are present:

- Loose or missing parts such as end caps, knobs, bolts, screws etc., should be secured or replaced.
- Sharp edges or surfaces should be corrected or replaced.
- Parts showing excessive wear should be replaced.
- Warped or otherwise damaged parts should be replaced immediately.

**DANGER!****Risk of Death, Injury or Damage**

To avoid pinching, crush and collapse hazards from bed deck contact with objects under the bed:

- DO NOT place any objects or let any individual underneath the bed or in between the raised bed frame components at any time.

To avoid choking from small detachable parts contained underneath the bed:


- Closely supervise children, pets, or people with physical/mental disabilities.

Installation

Installation

Tools required:

- 1/2 inch deep socket or use extension

 For this procedure, refer to FIGURE 1.

Assist rails are shipped in pairs, one right and one left.

Right and left are determined by the user's position as if in the bed.

1. Elevate the head section **A** to allow access to the bed frame.
2. Align the top threaded bushings of the left assist rail **B** with the bed frame mounting holes.
3. Secure the assist rail to the bed frame with hardware provided.



WARNING!

Risk of Injury or Damage

To avoid injury or damage from instability:
– DO NOT use assist rails without crossbars installed.

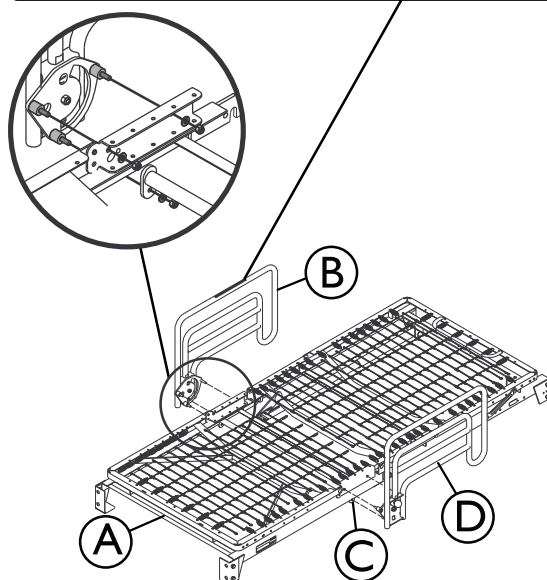
4. Align the crossbar **C** with the lower threaded bushing of the left assist rail.
5. Secure the crossbar to the left assist rail **B** using hardware provided.
6. Align the crossbar with the lower threaded bushing of the right assist rail **D**.
7. Repeat STEPS 2 and 3 for the right assist rail on the right side of the bed.
8. Secure the crossbar to the right assist rail using hardware provided.



Make sure that tube is positioned above the mounting holes before tightening.

9. Torque the bolts from STEPS 3 and 8 to 14 to 16 inch-pounds.

Figure 1



Usage

Usage



DANGER!

Risk of Death, Injury or Damage

To avoid pinching, crush and collapse hazards from bed deck contact with objects under the bed:

- DO NOT place any objects or let any individual underneath the bed or in between the raised bed frame components at any time.

To avoid choking from small detachable parts contained underneath the bed:

- Closely supervise children, pets, or people with physical/mental disabilities.

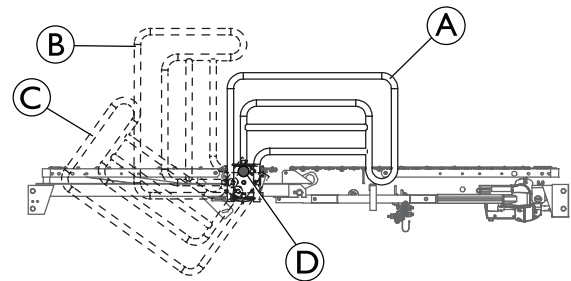


WARNING!

Risk of Injury or Damage

Patient entrapment may occur with Assist Rail in the transfer position. To avoid injury or damage from entrapment:

- Only use the transfer position while attending to the patient.
- When patient is unattended, return the assist rail to either of the locking positions: Guard or Assist.





The assist rails have three positions:

- Guard (Down) Ⓐ: This position is intended to prevent an individual from inadvertently rolling out of bed.
- Assist (Up) Ⓑ: Assists the user in standing or sitting on bed.
- Transfer (Back) Ⓒ: Allows unimpeded access to user.

When changing position of the assist rail, hold and raise the rail with one hand while pulling the adjustment knob Ⓓ outward with the other hand.

Ensure assist rail tilts toward head end of bed in assist and transfer positions. Refer to installation section if it does not.

1. To change position of the assist rail perform one of the following:
 - a. Guard (DOWN) Position: Pull the adjustment knob and lower to assist rail down to the guard position. **There will be an audible “Click” when the assist rail locks into position.**
 - b. Assist (UP) Position: Pull the adjustment knob and lift the assist rail up to the assist position. **There will be an audible “Click” when the assist rail locks into position.**
 - c. Transfer (BACK) Position: Pull the adjustment knob and tilt the assist rail back towards the head end of the bed until the assist rail stops.



The rail does not lock in the Transfer Position.

Maintenance

Cleaning and Care

Invacare recommends maintenance and cleaning procedures be conducted initially, between users, on a regular schedule and as needed.

Sanitizing Method

All surfaces may be cleaned with:

- soapy water
- any common consumer disinfecting product
- most non-abrasive commercially available disinfecting products

Maintenance Check

- Verify the function of the spring latch-knob assembly. Ensure the latch is free of dirt and/or foreign material that could impair its function.
- Ensure that the assist rails engage and lock as specified.
- Tighten, adjust or replace any parts such as end caps, knobs, bolts, screws, etc. that are loose, show signs of wear or are missing.

Environmental Conditions for Storage

Store the bed in a clean and dry environment with an ambient temperature range between 15° and 30° Celsius (59° to 86° F).

Environmental Conditions for Transport

Transport the bed in a clean and dry environment.

Disposal

Disposal

When the product can no longer be used, the product, accessories and the packaging materials should be sorted correctly. Please be environmentally responsible and recycle this product through your recycling facility at its end of life.

The disposal and recycling of used devices and packaging must comply with the applicable legal regulations.

Warranty

Limited Warranty



PLEASE NOTE: THE WARRANTY BELOW HAS BEEN DRAFTED TO COMPLY WITH FEDERAL LAW APPLICABLE TO PRODUCTS MANUFACTURED AFTER JULY 4, 1975.

This warranty is extended only to the original purchaser/user of our products.

This warranty gives you specific legal rights and you may also have other legal rights which vary from state to state.

Invacare warrants its product to be free from defects in materials and workmanship for one year for the original purchaser. If within such warranty period any such product shall be proven to be defective, such product shall be repaired or replaced, at Invacare's option. This warranty does not include any labor or shipping charges incurred in replacement part installation or repair of any such product. Invacare's sole obligation and your exclusive remedy under this warranty shall be limited to such repair and/or replacement.

For warranty service, please contact the dealer from whom you purchased your Invacare product. In the event you do not receive satisfactory warranty service, please write directly to Invacare at the address below. Provide dealer's name, address, model number, date of purchase, indicate nature of the defect and, if the product is serialized, indicate the serial number.

Invacare Corporation will issue a return authorization. The defective unit or parts must be returned for warranty inspection using the serial number, when applicable, as identification within thirty days of return authorization date. DO NOT return products to our factory without our prior consent. C.O.D. shipments will be refused; please prepay shipping charges.

LIMITATIONS AND EXCLUSIONS: THE WARRANTY SHALL NOT APPLY TO PROBLEMS ARISING FROM NORMAL WEAR OR FAILURE TO ADHERE TO THE ENCLOSED INSTRUCTIONS. IN ADDITION, THE FOREGOING WARRANTY SHALL NOT APPLY TO SERIAL NUMBERED PRODUCTS IF THE SERIAL NUMBER HAS BEEN REMOVED OR DEFACED; PRODUCTS SUBJECTED TO NEGLIGENCE, ACCIDENT, IMPROPER OPERATION, MAINTENANCE OR STORAGE; OR PRODUCTS MODIFIED WITHOUT INVACARE'S EXPRESS WRITTEN CONSENT INCLUDING, BUT NOT LIMITED TO: MODIFICATION THROUGH THE USE OF UNAUTHORIZED PARTS OR ATTACHMENTS: PRODUCTS DAMAGED BY REASON OF REPAIRS MADE TO ANY COMPONENT WITHOUT THE SPECIFIC CONSENT OF INVACARE; PRODUCTS DAMAGED BY CIRCUMSTANCES BEYOND INVACARE'S CONTROL; PRODUCTS REPAIRED BY ANYONE OTHER THAN AN INVACARE DEALER, SUCH EVALUATION SHALL BE SOLELY DETERMINED BY INVACARE.

THE FOREGOING EXPRESS WARRANTY IS EXCLUSIVE AND IN LIEU OF ANY OTHER WARRANTIES WHATSOEVER, WHETHER EXPRESS OR IMPLIED, INCLUDING THE IMPLIED WARRANTIES OF MERCHANTABILITY AND FITNESS FOR A PARTICULAR PURPOSE, AND THE SOLE REMEDY FOR VIOLATIONS OF ANY WARRANTY WHATSOEVER, SHALL BE LIMITED TO REPAIR OR REPLACEMENT OF THE DEFECTIVE PRODUCT PURSUANT TO THE TERMS CONTAINED HEREIN. THE APPLICATION OF ANY IMPLIED WARRANTY WHATSOEVER SHALL NOT EXTEND BEYOND THE DURATION OF THE EXPRESS WARRANTY PROVIDED HEREIN. THE MANUFACTURER SHALL NOT BE LIABLE FOR ANY CONSEQUENTIAL OR INCIDENTAL DAMAGES WHATSOEVER.

Généralités

Symboles

Des mots indicateurs sont utilisés dans ce manuel et s'appliquent aux pratiques à risque ou dangereuses pouvant entraîner des blessures corporelles ou des dégâts matériels. Consultez les informations suivantes pour connaître les définitions des mots indicateurs.



DANGER !

– Signale une situation dangereuse imminente qui entraînera des blessures graves voire la mort si elle n'est pas évitée.



AVERTISSEMENT !

– Signale une situation potentiellement dangereuse qui entraînera des blessures graves voire la mort si elle n'est pas évitée.



MISE EN GARDE !

– Indique une situation potentiellement dangereuse susceptible d'entraîner des dégâts matériels si elle n'est pas évitée.



Donne des conseils, recommandations et informations utiles pour une utilisation efficace et sans souci.

Sécurité

Directives Générales

Les rampes de lit 6632 doivent être utilisées UNIQUEMENT avec les lits Invacare suivants : 5410LOW, 5411LOWIVC, 5410IVC, 5411IVC, 5310IVC, 5311IVC et 5307IVC.



DANGER !

Risque de mortelles, de blessures ou de dommages

Une mauvaise utilisation de ce produit peut provoquer des blessures ou des dommages.

- Si vous ne comprenez pas les mises en garde, les avertissements ou les instructions, communiquez avec un professionnel de la santé, un détaillant ou un technicien avant de tenter d'utiliser ce produit.
- N'utilisez pas ce produit, ou tout équipement livré en option, sans lire en entier et bien comprendre ces directives et toute directive supplémentaire telle que le manuel d'utilisation, le manuel de réparation ou les fiches d'instructions fournis avec ce produit ou tout équipement optionnel.

L'utilisation d'un lit ayant des pièces endommagées peut entraîner le dysfonctionnement du lit et causer des blessures à l'utilisateur ou au personnel soignant.

- Vérifiez TOUS les éléments du lit et la boîte d'emballage pour vous assurer qu'ils ne sont pas endommagés. Testez les éléments avant de les utiliser. En cas de dommage ou si le lit ne fonctionne pas correctement, communiquez avec un technicien ou Invacare pour le faire réparer.

**DANGER !****Risque de blessures graves ou mortelles**

Les accessoires pour lit conçus par d'autres fabricants N'ONT PAS ÉTÉ TESTÉS par Invacare. L'utilisation d'accessoires pour lit AUTRES que ceux fournis par Invacare peut entraîner des blessures graves, voire mortelles.

- Utilisez UNIQUEMENT les barrières, les matelas, les rallonges de lit et les autres accessoires fournis par Invacare avec les lits Invacare.



L'INFORMATION CONTENUE DANS CE DOCUMENT PEUT ÊTRE MODIFIÉE SANS PRÉAVIS.

**DANGER !****Risque de mortelles, de blessures ou de dommages**

Les variations de dimensions des barrières latérales ainsi que dans la largeur, l'épaisseur et la fermeté du matelas peuvent contribuer à ce que le patient reste coincé.

- L'évaluation et la surveillance adéquates du patient, ainsi que l'entretien et l'utilisation appropriés de l'équipement, sont nécessaires pour éviter que le patient ne se coince.
- Pour en savoir plus sur le risque de coincement du patient, consultez le site de la FDA (<http://www.fda.gov>). Consultez également le document « A Guide to Bed Safety » (Guide de sécurité des lits), publié par le comité sur la sécurité des lits médicaux, sur le site www.invacare.com. Utilisez le lien situé sous chaque référence de barrière de lit pour accéder à ce document.

**DANGER !****Risque de mortelles, de blessures ou conséquences indésirables pour la santé**

Il existe un risque de chute lorsque les barrières du lit sont mal installées.

- Pour éviter les blessures, vérifiez que les barrières du lit sont correctement installées et fixées fermement au lit avant que le patient ne s'installe dans le lit ou en sorte.

Il existe un risque de chute lorsque des barrières de lit AUTRES que celles fournies par Invacare sont utilisées. Les barrières de lit autres que celles fournies par Invacare peuvent ne pas être compatibles avec les lits Invacare.

- Pour éviter les blessures, veillez à utiliser uniquement les barrières de lit fournies par Invacare avec les lits Invacare.

**DANGER !****Risque de mortelles, de blessures ou de dommages**

Si le patient reste coincé entre les barrières latérales du lit, il peut subir des blessures graves voire mortelles. Pour éviter cela :

- Le matelas Invacare DOIT être parfaitement ajusté au cadre du lit ET aux barrières latérales du lit pour éviter que le patient ne reste coincé. Suivez les instructions du fabricant. Surveillez fréquemment le patient. Lisez et assurez-vous de bien comprendre le manuel d'utilisation avant d'utiliser le lit et les barrières de lit Invacare. Vous trouverez les manuels d'utilisation sur le site www.invacare.com ou chez votre détaillant.
- Après avoir effectué des réglages, des réparations ou des procédures d'entretien, et avant d'utiliser le lit, assurez-vous que toutes les pièces de fixation sont serrées de manière sécuritaire.

**DANGER !****Risque de mortelles, de blessures ou de dommages**

Les états tels que l'agitation, la détérioration mentale, la démence ou les troubles épileptiques (mouvements incontrôlables), les problèmes de sommeil et l'incontinence peuvent considérablement contribuer à ce que le patient reste coincé. Les enfants ou les patients de petite taille peuvent également se coincer plus facilement.

- Surveillez fréquemment ce type de patients.
- Placez le sommier en position horizontale lorsque le patient est laissé sans surveillance.

**DANGER !****Risque de mortelles, de blessures ou de dommages**

Pour éviter que le patient ne reste coincé ou pour prévenir les dommages et les blessures :

- Les barrières de lit utilisées avec ce lit ne sont soumises à AUCUNE charge maximale. Les barrières de lit sont susceptibles de se déformer ou se briser si elles subissent une pression latérale excessive. Elles servent à empêcher le patient de tomber du lit. Elles ne sont pas conçues pour servir de dispositifs de retenue. Si le patient est susceptible de se blesser, vous devez consulter un médecin ou un professionnel de la santé afin d'utiliser un dispositif de retenue sécuritaire.
- Après avoir élevé ou abaissé la section de tête ou de pieds du lit, vérifiez la distance entre la partie inférieure de la barrière du lit et le matelas. Si cette distance est trop importante et que le patient risque d'y rester coincé, réglez la hauteur de la barrière du lit (au besoin) ou utilisez des moyens de protection du patient.
- N'UTILISEZ PAS les barrières latérales comme poignées pour déplacer le lit.
- Les dimensions du matelas et des barrières latérales de remplacement doivent être identiques à celles du matelas et des barrières d'origine ou à celles indiquées par le fabricant du cadre du lit. Les changements dans la conception des barrières latérales ainsi que dans la largeur, l'épaisseur et la fermeté du matelas peuvent contribuer à ce que le patient reste coincé.

**DANGER !****Risque de mortelles, de blessures ou de dommages**

Pour éviter les blessures graves, voire mortelles, ou les dommages causés par un entretien ou une inspection inappropriés : Effectuez toujours l'entretien et l'inspection de l'équipement selon les instructions indiquées dans ce manuel. Communiquez avec un technicien qualifié ou Invacare, si l'un des problèmes suivants se produit :

- Les pièces manquantes ou desserrées comme les embouts, les molettes, les boulons ou les vis, doivent être serrées ou remplacées.
- Les surfaces ou rebords coupants doivent être émoussés ou remplacés.
- Les pièces usées doivent être remplacées.
- Les pièces endommagées ou déformées doivent être remplacées immédiatement.

**DANGER !****Risque de blessures ou de dommages**

Pour éviter les risques de pincement, d'écrasement et d'effondrement du lit associés au contact entre les panneaux du lit et des objets sous le lit :

- NE PLACEZ AUCUN objet sous le lit ni entre les éléments surélevés du cadre du lit et NE LAISSEZ PERSONNE se glisser sous le lit ni entre les éléments surélevés du cadre.

Pour éviter les risques d'étouffement associés aux petites pièces se trouvant sous le lit :


- Les enfants, les personnes ayant un handicap physique ou mental ainsi que les animaux domestiques doivent être surveillés en permanence.

Installation

Installation

Outils requis :

- Une douille de 1/2 po de profondeur ou une rallonge.

 Pour cette procédure, se reporter à la FIGURE 1.

Les rampes de lit sont livrées par paires, une de droite et une de gauche.

Les côtés droit et gauche sont déterminés par la position qu'occuperait le patient dans le lit.

1. Élever la section **A** du dossier pour pouvoir accéder au cadre du lit.
2. Sur le côté gauche du lit, aligner les deux douilles filetées supérieures de la rampe **B** de lit avec les trous de montage sur le cadre.
3. Fixer la rampe de lit au cadre en utilisant les deux boulons de fixation et rondelles de sécurité.



AVERTISSEMENT !

Risque de blessures ou de dommages

Pour éviter les dommages causés par le déplacement du lit :

- N'utilisez PAS les barres d'aide si les traverses ne sont pas installées.

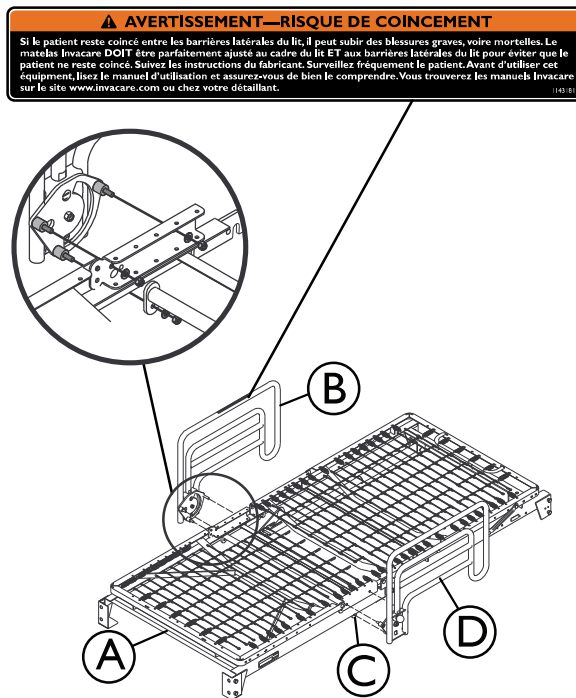
4. Aligner la barre transversale **C** avec la douille filetée inférieure de la rampe de lit gauche (FIGURE 1).
5. Fixer la barre transversale à la rampe **B** de lit gauche en utilisant un boulon de fixation et des rondelles de sécurité.
6. Aligner la barre transversale avec la douille filetée inférieure de la rampe de lit droite (FIGURE 1).
7. Répéter les étapes 2 et 3 pour la rampe droite du lit.
8. Fixer la barre transversale à la rampe de lit droite en utilisant deux boulons de fixation et des rondelles de sécurité.



Vérifier que le tube est aligné au-dessus des trous de montage avant de serrer.

9. Serrer les boulons de l'étape 3 à 8 en appliquant un couple de 0,161294 à 0,184336 kgm (14 à 16 livres-pouce).

Figure 1



Utilisation

Utilisation



AVERTISSEMENT !

Risque de blessures ou de dommages

Pour éviter les risques de pincement, d'écrasement et d'effondrement du lit associés au contact entre les panneaux du lit et des objets sous le lit :

- NE PLACEZ AUCUN objet sous le lit ni entre les éléments surélevés du cadre du lit et NE LAISSEZ PERSONNE se glisser sous le lit ni entre les éléments surélevés du cadre.

Pour éviter les risques d'étouffement associés aux petites pièces se trouvant sous le lit :

- Les enfants, les personnes ayant un handicap physique ou mental ainsi que les animaux domestiques doivent être surveillés en permanence.

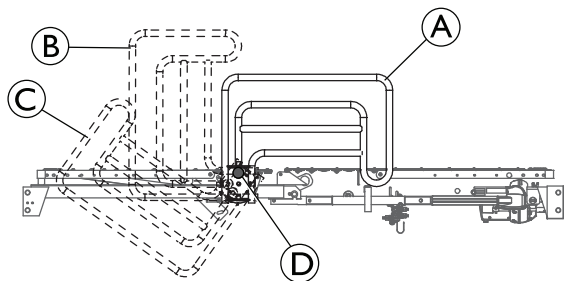


AVERTISSEMENT !

Risque de blessures ou de dommages

En position de transfert, le patient peut se coincer dans la barrière d'aide. Pour éviter les blessures et les dommages causés par le coincement du patient :

- Utilisez uniquement la position de transfert lorsque vous êtes à proximité du patient.
- Lorsque le patient est sans surveillance, la barrière d'aide doit être remise dans l'une des positions verrouillées : la position de protection ou la position relevée.



Les barrières d'aide ont trois positions :

- Protection (vers le bas) **A** : cette position est destinée à empêcher le patient de rouler accidentellement hors du lit.
- Assistance (vers le haut) **B** : cette position aide le patient à s'asseoir ou à se lever du lit.
- Transfert (arrière) : **C** : cette position permet d'accéder sans obstacle au patient.

En changeant la position de la barrière d'aide, tenir et soulever la barrière d'une main, tout en tirant l'axe **D** de réglage vers l'extérieur avec l'autre main.

En positions d'assistance et de transfert, vérifiez que la barrière d'aide se penche vers la tête du lit. Si ce n'est pas le cas, consultez la section d'installation.

1. Pour changer la position de la barrière d'aide, effectuer l'une de ces opérations :
 - a. Position de protection (vers le bas) : tirer l'axe de réglage et abaisser la barrière d'aide vers le bas en position de protection. **Un déclic retentit pour indiquer que la rampe est verrouillée en place.**

- b. Position d'assistance (vers le haut) : tirer l'axe de réglage et soulever la barrière d'aide vers le haut en position d'assistance. **Un déclic retentit pour indiquer que la rampe est verrouillée en place.**
- c. Position de transfert (arrière) : tirer l'axe de réglage et incliner la rampe de lit en arrière vers le pied de lit jusqu'à l'arrêt de la barrière.



La barrière ne se verrouille pas en place en position de transfert.

Nettoyage et entretien

Nettoyage et entretien

Invacare recommande d'effectuer les procédures d'entretien et de nettoyage avant usage entre chaque utilisateur, à intervalle régulier et au besoin.

Méthode de désinfection

Toutes les surfaces peuvent être nettoyées avec :

- de l'eau savonneuse,
- des produits de désinfection ordinaire
- la plupart des produits désinfectants non-abrasifs disponibles dans le commerce.

Vérification de l'entretien

- Vérifiez le fonctionnement du bouton de verrouillage à ressort. Assurez-vous que le bouton de verrouillage est propre et qu'aucun corps étranger ne peut nuire à son fonctionnement.
- Assurez-vous que les barrières d'aide s'enclenchent et se verrouillent de la manière indiquée.
- Serrez, réglez ou remplacez toutes les pièces, telle que les embouts, les poignées, les boulons, les vis, etc. qui sont desserrées, présentent des signes d'usure ou manquent.

Conditions ambiantes d'entreposage

Entreposez le lit dans un environnement propre et sec à une température ambiante comprise entre 15° et 30° C (59° à 86° F).

Conditions ambiantes de transport

Transportez le lit dans un environnement propre et sec.

Élimination

Élimination

Lorsque le produit n'est plus utilisable, le produit, les accessoires et les matériaux d'emballage doivent être triés. Préservez l'environnement en faisant recycler ce produit en fin de vie.

L'élimination et le recyclage des appareils usagés et de l'emballage doivent avoir lieu conformément à la législation en vigueur.

Garantie Limitée

Garantie Limitée

i REMARQUE IMPORTANTE : LA GARANTIE CI-DESSOUS A ÉTÉ ÉLABORÉE CONFORMÉMENT AUX LOIS FÉDÉRALES AMÉRICAINES APPLICABLES POUR LES PRODUITS FABRIQUÉS APRÈS LE 4 JUILLET 1975.

Cette garantie n'est offerte qu'à l'acheteur initial/utilisateur final de nos produits.

La présente garantie confère certains droits : la législation du pays ou de la juridiction de l'acheteur initial/utilisateur final peut vous en accorder d'autres.

Invacare garantit ce produit contre les vices de fabrication et de main d'oeuvre auprès de l'acheteur initial pendant une période de deux ans. Si ledit produit s'avère défectueux pendant cette période, il sera réparé ou remplacé au choix d'Invacare. Cette garantie n'inclut pas les frais de livraison ou de main d'oeuvre résultant de l'installation de pièces de rechange ou de la réparation dudit produit. La seule obligation exclusive d'Invacare et le seul recours exclusif du bénéficiaire de la garantie se limitera auxdites réparations et/ou remplacements.

Pour un service au titre de la garantie, l'acheteur doit contacter le distributeur auprès duquel il a acheté le produit Invacare. Si l'acheteur ne juge pas le service de garantie satisfaisant, il doit écrire directement à Invacare à l'adresse mentionnée ci-dessous. Fournir le nom du distributeur, l'adresse, le numéro du modèle, la date d'achat, indiquer la nature du défaut et le numéro du produit si celui-ci est numéroté en série.

Invacare Corporation enverra à l'acheteur une autorisation de retour. Les pièces ou l'unité défectueuses doivent être retournées pour l'inspection de garantie en utilisant le numéro de série (si applicable) pour l'identification, dans les trente jours suivant la date d'autorisation de retour. NE PAS retourner les produits à notre usine sans avoir obtenu notre accord préalable. Les livraisons contre remboursement seront refusées; les livraisons doivent être franco de port.

LIMITATIONS ET EXCLUSIONS : LA GARANTIE NE S'APPLIQUERA PAS AUX PROBLÈMES RÉSULTANT DE L'USURE NORMALE OU DU NON-RESPECT DES INSTRUCTIONS CI-JOINTES. DE PLUS, LA GARANTIE QUI PRÉCÈDE NE S'APPLIQUERA PAS AUX PRODUITS NUMÉROTÉS EN SÉRIE SI LE NUMÉRO DE SÉRIE A ÉTÉ SUPPRIMÉ OU OBLITÉRÉ; LES PRODUITS SOUMIS À UNE NÉGLIGENCE, À DES ACCIDENTS, À UNE UTILISATION, MAINTENANCE OU ENTREPOSAGE IMPROPRE; OU LES PRODUITS MODIFIÉS SANS LE CONSENTEMENT ÉCRIT D'INVACARE, Y COMPRIS MAIS SANS S'Y LIMITER : LES MODIFICATIONS IMPLIQUANT L'UTILISATION DE PIÈCES OU D'ACCESSOIRES NON AUTORISÉS : LES PRODUITS ENDOMMAGÉS SUITE À DES RÉPARATIONS EFFECTUÉES SUR UN COMPOSANT QUELCONQUE SANS LE CONSENTEMENT FORMEL D'INVACARE; LES PRODUITS ENDOMMAGÉS DANS DES CIRCONSTANCES ÉCHAPPANT AU CONTRÔLE D'INVACARE; LES PRODUITS RÉPARÉS PAR TOUTE AUTRE PERSONNE QU'UN DISTRIBUTEUR AGRÉÉ PAR INVACARE, DONT L'ÉVALUATION SERA EXCLUSIVEMENT DÉTERMINÉE PAR INVACARE.

LA GARANTIE EXPRESSE QUI PRÉCÈDE EST EXCLUSIVE ET TIENT LIEU DE TOUTE AUTRE GARANTIE EXPRESSE OU IMPLICITE, Y COMPRIS LES GARANTIES IMPLICITES DE COMMERCIALISATION ET D'ADAPTATION À UN BUT PARTICULIER, ET LE SEUL RECOURS AUX VIOLATIONS D'UNE GARANTIE SERA LIMITÉ À LA RÉPARATION OU AU REMPLACEMENT DES PRODUITS DÉFECTUEUX, CONFORMÉMENT AUX CONDITIONS ÉNONCÉES DANS LES

PRÉSENTES. L'APPLICATION DE TOUTE GARANTIE IMPLICITE NE SERA PAS PROROGÉE AU-DELÀ DE LA DURÉE DE GARANTIE EXPRESSE ÉNONCÉE DANS LES PRÉSENTES. LE FABRICANT NE SERA PAS TENU RESPONSABLE DE TOUS DOMMAGES ACCIDENTELS OU CONSÉCUTIFS.

Invacare Corporation

USA

One Invacare Way
Elyria, Ohio USA
44035
800-333-6900

Designed by Invacare Corporation

www.invacare.com

Canada

570 Matheson Blvd E Unit 8
Mississauga Ontario
L4Z 4G4 Canada
800-668-5324

Manufactured in Mexico

©2017 Invacare® Corporation

All rights reserved. Republication, duplication or modification in whole or in part is prohibited without prior written permission from Invacare. Trademarks are identified by ™ and ®. All trademarks are owned by or licensed to Invacare Corporation or its subsidiaries unless otherwise noted.

Making Life's Experiences Possible is a registered trademark in the U.S.A.



1130185-F-01 2017-01-26



Making Life's Experiences Possible®



Yes, you can.®