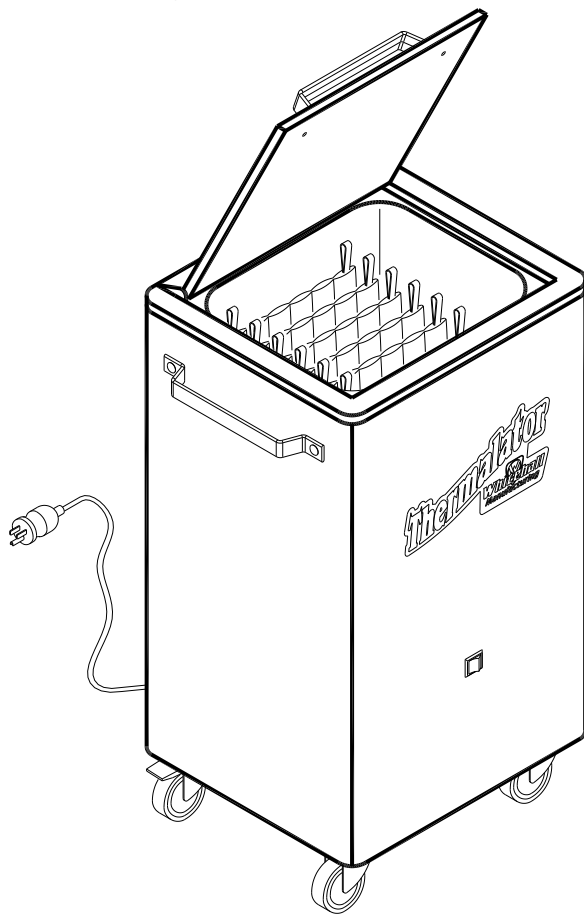


# INSTRUCTIONS FOR OPERATION AND CARE OF

# Thermalator™

## Moist Heat Therapy Unit



- Mobil 8 Pack  
Thermalator  
Model T-8-M
  
- Mobil 8 Pack  
Thermalator, 220 Volt  
Model ET-8-M



**Whitehall Manufacturing®**  
Manufacturer of Healthcare and Rehabilitation Products since 1946

P.O. Box 3527 • City of Industry, CA, 91744-0527, U.S.A.

800-782-7706 • 626-968-6681 • [www.whitehallmfg.com](http://www.whitehallmfg.com)



# WARNING



**PLEASE READ THIS ENTIRE  
BOOKLET BEFORE OPERATING  
YOUR NEW THERMALATOR**



**Failure to follow these instructions could result in damage  
to your new heating appliance and/or injury**

## European Union CE Mark

The presence of the CE Mark on Whitehall equipment means that it has been designed, tested and certified as complying with all applicable European Union regulations and recommendations.

## Waste Electrical and Electronic Equipment (WEEE)

This symbol on the product or on its packaging indicates that this product must not be disposed of with regular waste. Instead, it is the user's responsibility to dispose of waste equipment according to the local laws. Separate collection and recycling of the waste equipment at the time of disposal will help conserve natural resources and ensure it is recycled in a manner that protects human health and the environment. For information about where the user can drop off the waste equipment for recycling, please contact your local waste collection authority. See Page 14 for instructions on how to disassemble the equipment for recycling purposes.

## Electric Shock

The Electric Shock Symbol is used to indicate a hazard arising from dangerous voltage. Any mishandling could result in irreparable damage to the equipment and/or personal injury or death.

## General Warning or Caution

The Exclamation Symbol appears in Warning and Caution statements. This symbol designates where personal injury or damage to the equipment is possible.



### WARNING

**To avoid electric shock, connect the instrument to properly earth-grounded, GFCI protected, 3-prong receptacles only. Failure to observe this precaution can result in severe injury.**

- DO NOT operate the appliance without properly filling with water. Under no circumstance should the appliance be operated without water, as operating the appliance without water may result in damage to the heating element. Fill appliance with water to the prescribed level before plugging into an electrical receptacle.
- CONNECT the appliance into a properly polarized G.F.C.I. (Ground Fault Circuit Interrupter) electrical receptacle for protection against electrical shock. Have a qualified electrician verify the wall socket is properly polarized and grounded. Use only the power cordset provided with the unit. The Thermalator appliance must be properly grounded.
- AVOID skin contact with HOT water at all times! Carefully place thermal packs into the Thermalator to avoid splashing onto skin or coming into contact with HOT water. DO NOT reach into HOT water with bare hands to remove heated thermal packs. Use a grasping device, such as tongs, to remove thermal packs from HOT water.
- CAUTION: The enclosure surfaces are hot. Avoid skin contact with the hot surfaces and the cabinet.
- PREVENT the power cord or any electrical wires from touching the hot surfaces.
- DO NOT use in the presence of flammable liquids or gases, as these may present a fire and/or explosion hazard.
- ALWAYS allow the appliance to cool down before draining water or moving unit.
- DO NOT use the lid knob to lift or transport appliance. Use the side handles to lift or move.
- NEVER leave appliance operating unattended for long periods of time. Water can evaporate and cause appliance to over-heat which may result in damage to the heating element. Turn "OFF" when not in use.

a



## TABLE OF CONTENTS

<b>DESCRIPTION</b> . . . . .	<b>2</b>
<b>SET UP INSTRUCTIONS</b> . . . . .	<b>3-6</b>
What's included? . . . . .	3
Unpacking my Thermalator . . . . .	3
Where do I put my Thermalator? . . . . .	3
Pre-soaking Thermal Packs. . . . .	3
Filling my unit . . . . .	4-5
Emptying my unit . . . . .	5
<b>USING YOUR THERMALATOR</b> . . . . .	<b>6-8</b>
Before the first use . . . . .	6-7
How do I use the Thermal Packs? . . . . .	7
How do I change the temperature? . . . . .	8
How do I use different size Thermal Packs? . . . . .	8
<b>MAINTENANCE</b> . . . . .	<b>9</b>
<b>CLEANING</b> . . . . .	<b>9</b>
<b>STORAGE</b> . . . . .	<b>9</b>
<b>TROUBLESHOOTING</b> . . . . .	<b>10</b>
<b>TECHNICAL INFORMATION</b> . . . . .	<b>11-14</b>
Exploded view (T-8-M) . . . . .	11
Replacement parts (T-8-M) . . . . .	12
Replacement parts (ET-8-M). . . . .	13
Electrical Parts Disassembly. . . . .	14



**Congratulations** on receiving your Mobil 8 Pack Thermalator.

Your Thermalator is a simple and trouble-free unit to operate. The tank body, lid, bottom and tank housing are all made from type 304 stainless steel. The controls are an ON/OFF switch on the front of the unit and a thermostat on the rear to control the water temperature. Unit is preset set to a normal operating temperature.

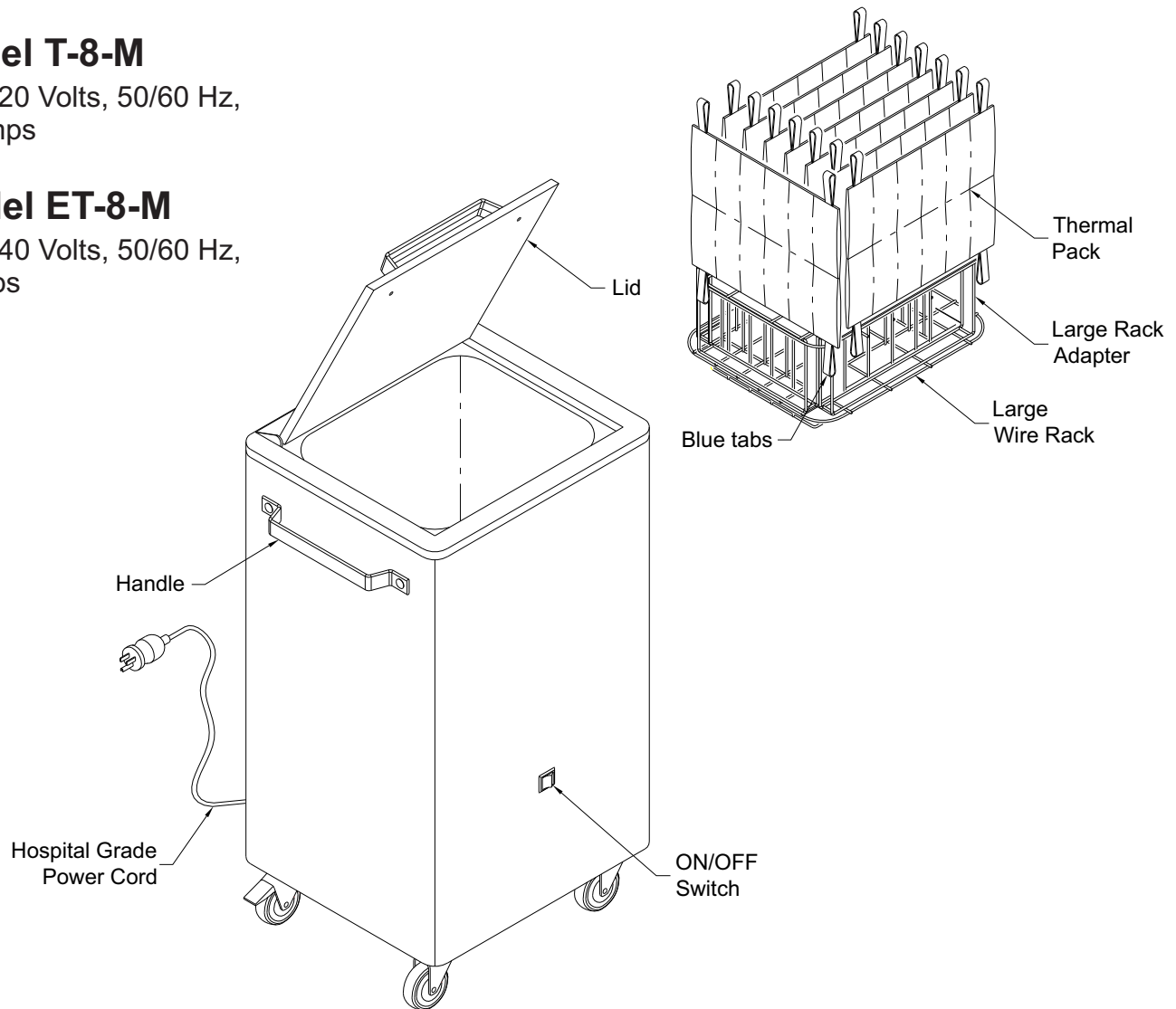
Side handles and a knob on the lid minimize contact with the hot surface. The unit has Thermal Packs with blue and white tabs and a large stainless steel rack adapter that fits onto a stainless steel wire rack. Inside the unit is a heating element and a temperature sensor. Side handles and locking casters below allow easy movement of the unit. A drain valve is located on the back of the unit.

## Model T-8-M

100-120 Volts, 50/60 Hz,  
15 Amps

## Model ET-8-M

200-240 Volts, 50/60 Hz,  
6 Amps



### Conditions of use:

1. Indoor use only
2. Altitude 2,000 max
3. Ambient temperatures 5°C to 40°C
4. Relative humidity maximum 80% for up to 31°C, maximum 50% for up to 40°C ambient
5. Mains supply voltage fluctuations up to +/-10% of the rated voltage
6. Mains supply voltage shall be protected against temporary and transient over-voltage per category II requirements
7. Pollution degree 2



## OPERATOR SKILLS AND TRAINING

### Skills:

Operators using the Thermalator need a working knowledge of occupational therapy procedures.

### WARNING

Only trained personnel to operate the Thermalator. Untrained operators can cause injury or be injured.

### TRAINING

Operator trainees need to:

- be trained in occupational therapy protocols.
- read and understand this manual.

## INSPECTING THE THERMALATOR

This Whitehall product has been carefully packaged at the factory to minimize the possibility of damage during shipping.

- Inspect the packaging for external signs of damage.
- Inspect the contents for damage.

If there is visible damage to the instrument upon receipt, inform the shipping company and Whitehall immediately.

### WARNING

Do not attempt to operate this equipment if there is evidence of shipping damage or you suspect the unit is damaged. Damaged equipment may present additional hazards to you. Contact Whitehall technical support for advice before attempting to plug in and operate damaged equipment.

### Inspection Checklist

- Is the Thermalator free of excessive wear?
- Is a properly-grounded and voltage-matched hospital grade receptacle available?
- Is the outlet equipped with a functioning GFI?

## SETTING UP

### 1. Your new Thermalator includes the following:

- 1 Thermalator Model T-8-S or ET-8-S
- 8 Thermal Packs (8 Standard)
- 1 Wire Rack - Medium, Vinyl Coated
- 1 Left / 1 Right Rack Adapter (stainless steel)
- 1 Filler Hose
- 1 Instructions for Operation and Care

If you are missing anything, please call the phone number listed on the back page.

### 2. Unpacking your Thermalator

Remove all the shipping material. Remove Thermal Packs and wire rack from inside the tank. Remove all packaging from inside the tank, especially from under the heating element inside the tank. Clean the unit thoroughly before using.

### 3. Device Placement

For operation, the Thermalator must be placed on a non-flammable, non-combustible surface or material. Avoid operating the unit in close proximity of any such materials.

Avoid operating this unit in close proximity of materials subject to damage from moisture.

### 4. Pre-Soaking Thermal Packs

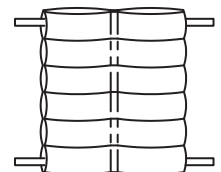
Presoak thermal packs (**Critical, if not presoaked properly, the tank may develop surface rust during use**). Inspect the packs for any tears and damaged or loose threads before starting the presoak process. If packs are damaged, do not use.

Before the first use, you must condition each Thermal Pack.

- 1- Take the Thermal Pack by the corner loops - one white and one blue or black - so the sections are horizontal.
- 2- Gently shake the pack back and forth to evenly distribute the filler material.



Shake to distribute the dry material





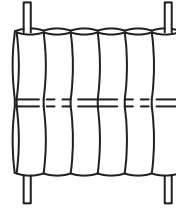
3- Place the thermal packs in a large plastic, stainless steel or enamel container (do not use aluminum).

**DO NOT** use the Thermalator for presoaking packs.

4- Fill the container with enough tap water to completely cover the Thermal Packs.

5- Soak the packs for two hours minimum, more is recommended. If the presoak water turns cloudy, change the presoak water and soak packs again. Repeat until water is clear.

6- Turn packs to upright position. The packs are now ready to use.

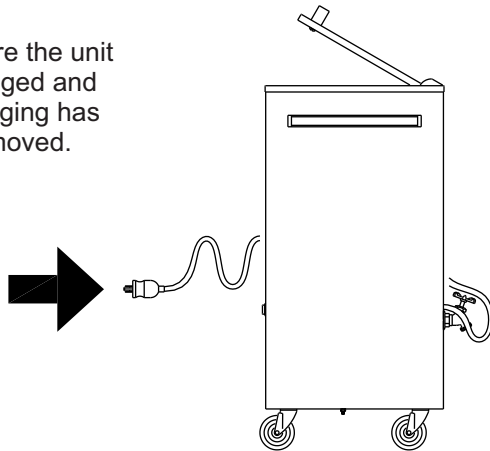


Turn the packs to upright

The Thermalator is to operate only in ambient temperatures of 5°C to 40°C.

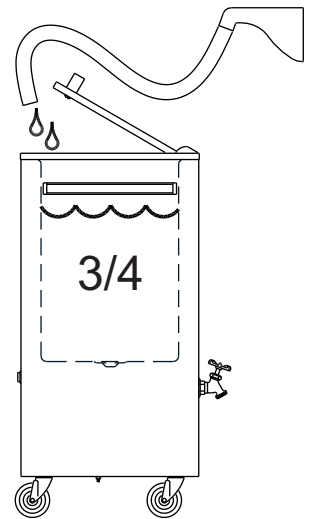
## FILLING your unit

- 1 Make sure the unit is unplugged and all packaging has been removed.

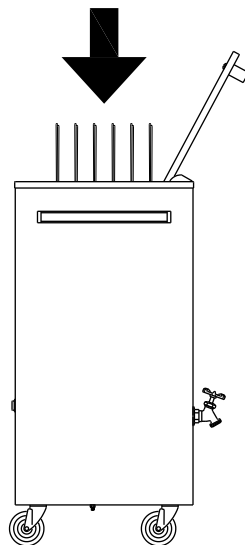


- 2 Check the drain valve before filling. Use the hose provided. Fill unit about 3/4 full with tap water.

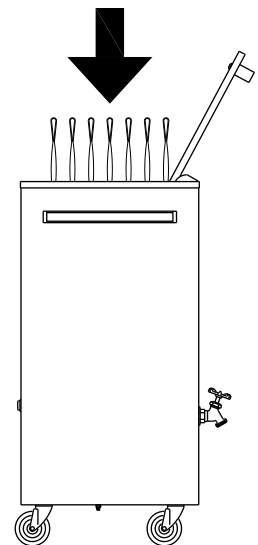
Ensure that no liquids are spilled into the unit. If conductive materials enter the enclosure, turn off the unit and unplug from power immediately. Contact Whitehall or a licensed technician for service.



- 3 Place the wire rack inside the unit. Be careful of the heating element.



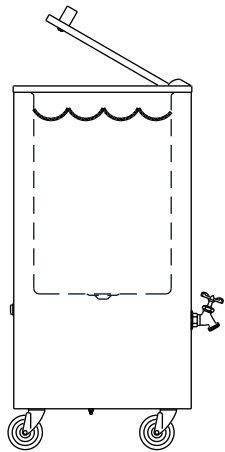
- 4 Put the Pre-Soaked Thermal Packs on the wire rack. Place all the blue or white tabs up.





5 Add more water, if necessary, to cover the Thermal Packs. Uncovered packs may be damaged during heating.

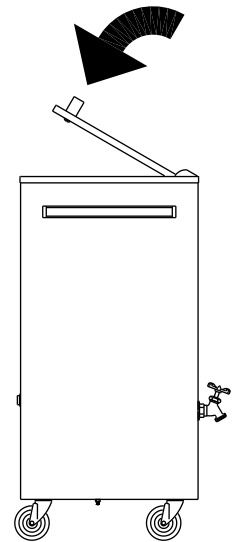
Caution! Do not attempt to move the unit with water in the unit.



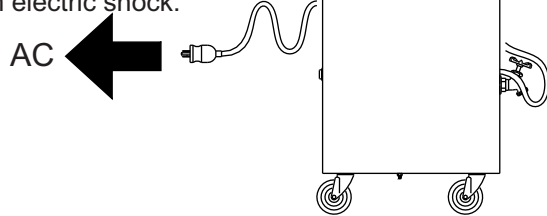
6 Close the lid.



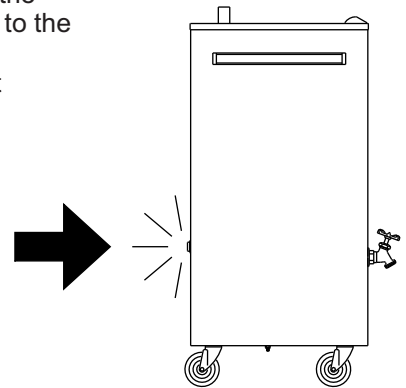
Caution! Lid can pinch fingers.



7 Plug the power cord into an AC outlet. A Ground Fault Circuit Interrupter is recommended because it will give additional protection from electric shock.

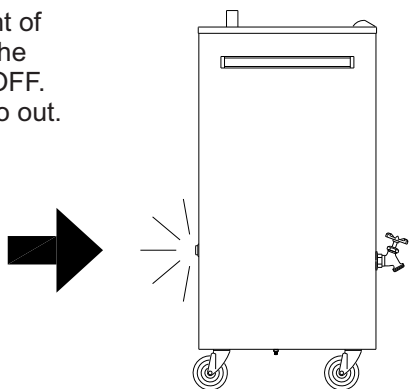


8 Facing the front of the unit, turn the power switch to the ON position. Indicator light should be illuminated.

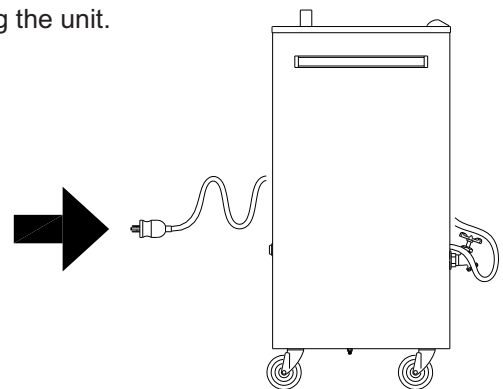


## EMPTYING your unit

1 Facing the front of the unit, turn the power switch OFF. The light will go out.

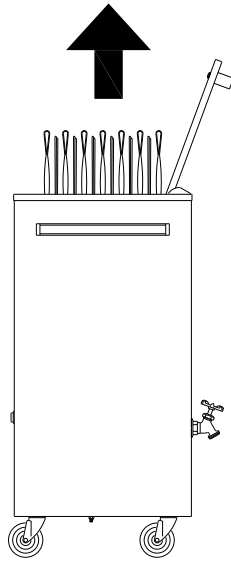


2 Unplug the unit.

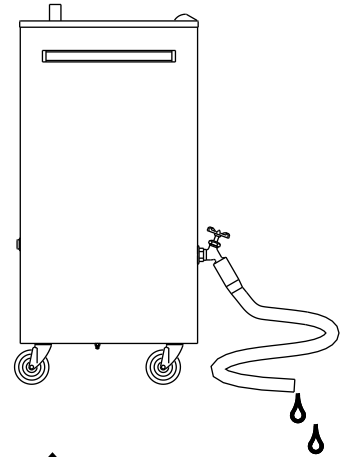




- 3 Let the water cool to room temperature. Remove the Thermal Packs and the wire rack.



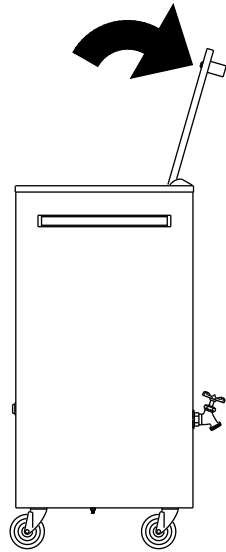
- 4 Attach filler hose to the drain outlet. Turn handle to release water into a sink or floor drain.



### USING the Thermal Pack

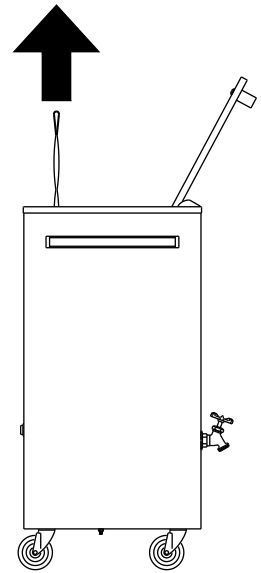
1- For each use:

- 1 Open the lid.

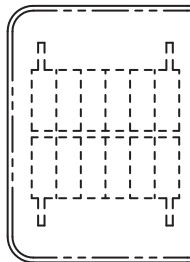


- 2 Using tongs, carefully remove the Thermal Pack.

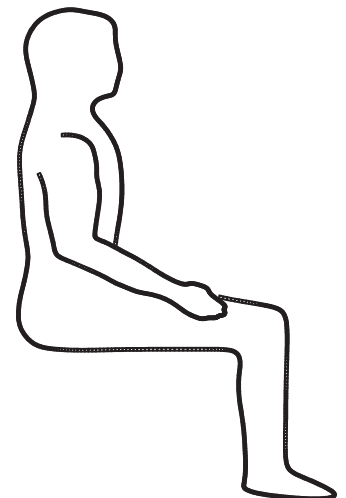
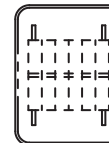
Caution: the Thermal Pack can cause skin burns.



- 3 Wrap the pack in a Thermal Pack Cover or 5 to 6 layers of terry toweling.



- 4 Put the wrapped pack on the area to be treated for a pre-set treatment time.



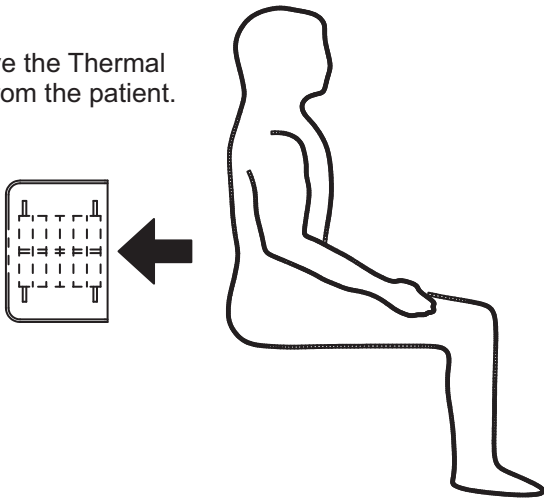
### **⚠ WARNING**

Use the Thermalator only as directed in this manual. Any other use can cause injury.

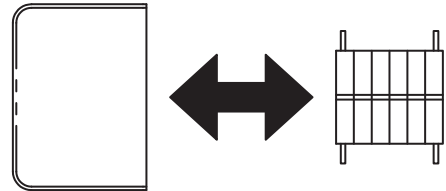




5 Remove the Thermal Pack from the patient.

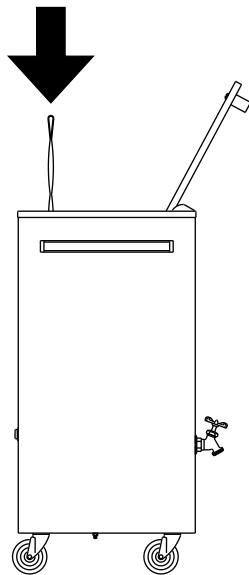


6 Remove the Thermal Pack Cover or toweling. Hang to dry or launder.

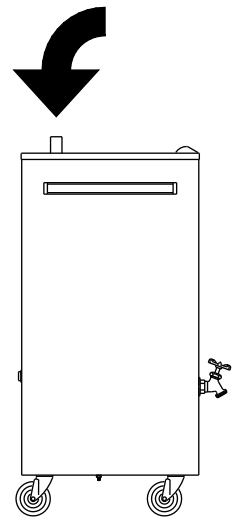


7 Return the pack to the Thermalator.

If the blue tab was up, put the white tab up now. Work your way from first to last, reversing tabs each time.

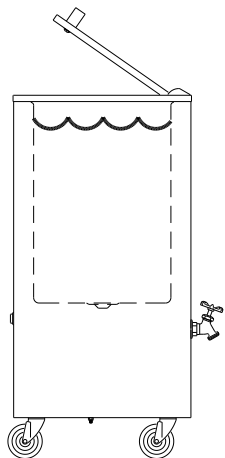


8 Close the lid. The Thermal Pack will be reheated within 15 minutes and ready for use.

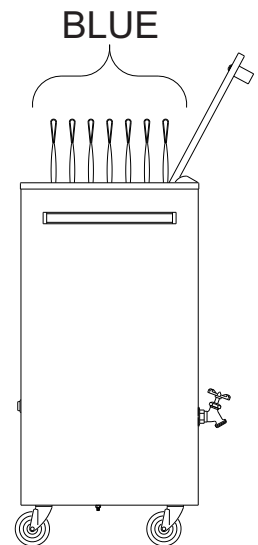


2- Daily use:

1 Add more water, if necessary, to cover the Thermal Packs. Uncovered packs may be damaged during heating.



2 Place all the blue tabs in the same reference (either all up or all down) to start the day.



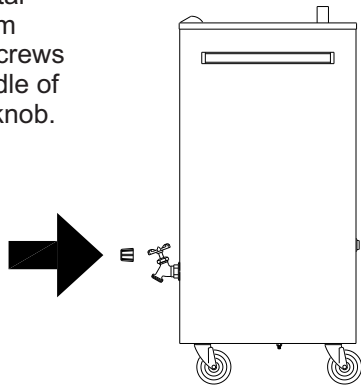


### 3- Periodic use:

The water temperature for normal operating conditions is about 165°F (74°C). The thermostat is very sensitive; even a small adjustment can raise or lower the temperature several degrees. The thermostat has an adjustable temperature range of 65°F (18°C) to 175°F (79°C) ±5°F (-15°C). To adjust the temperature, you need a Thermometer capable of 180° F (83° C).

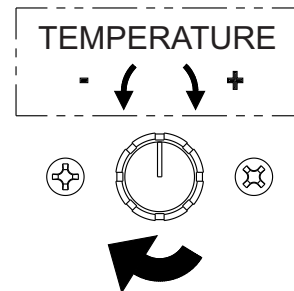
This product is protected by a High Limit Thermostat which will disconnect power in the event that the unit reaches excessive temperatures. If this condition does occur, have a licensed technician check the unit and reset the thermostat if the cause of overheating is removed.

5 Facing the back of the unit, find the metal temperature stem between the 2 screws in the lower middle of the unit. Attach knob.



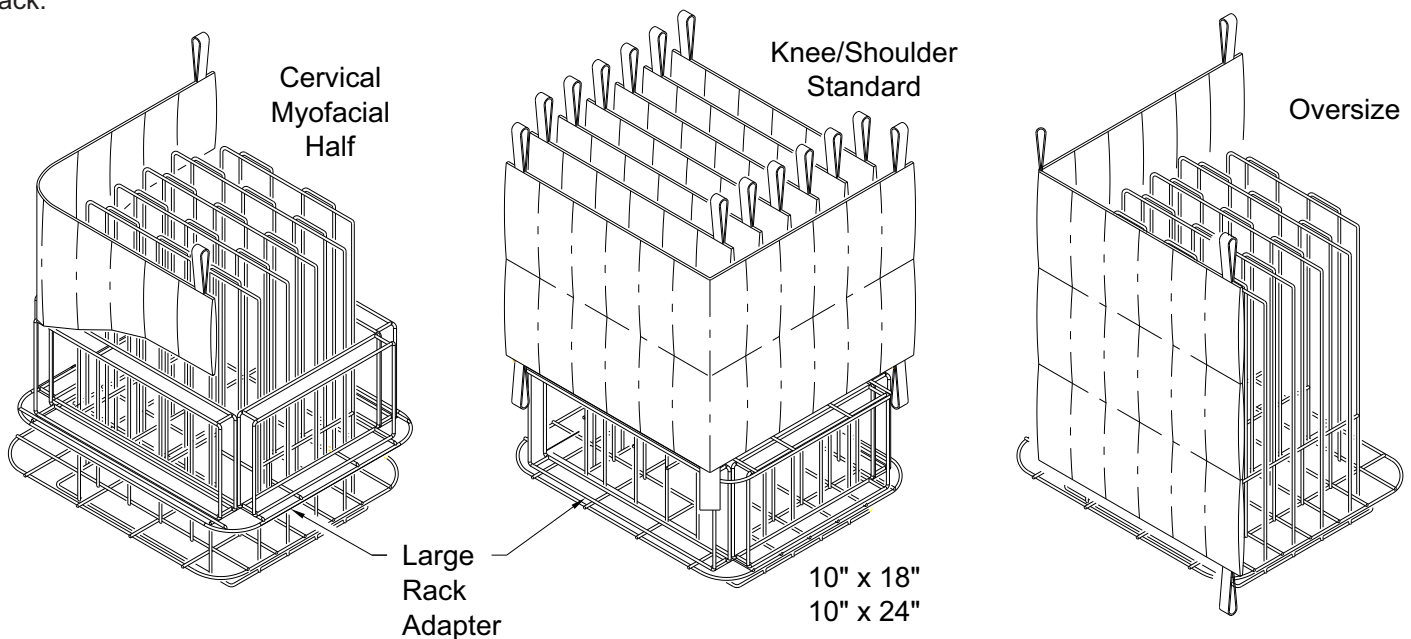
6 Using the knob, turn clockwise to increase the temperature. Allow the temperature to stabilize, and measure the water temperature with the thermometer.

**CAUTION:** Sensitive thermostat - a small adjustment changes several degrees. Temperature range of 65°F (18°C) to 175°F (79°C) ±5°F (-15°C).



## USING the Wire Rack

Your Thermalator uses many different sizes of Thermal Packs. For Half, Cervical or Myofacial sizes, use the adapter as shown. For Standard, Knee/Shoulder, 10" x 18" and 10" x 24" sizes, turn the adapter over. For oversize, use only the wire rack.





## MAINTENANCE

The Thermalator design is nearly maintenance-free. It should, under most conditions, give many years of reliable service. Clean and replace the Thermal Packs as described below.

### 1. Routine Maintenance (As Needed)

- See Care and Cleaning
- Always keep the Thermal Packs under water. Replace any water that has evaporated.
- Destroy or discard any contaminated Thermal Packs.

### 2. Monthly Maintenance

- See Care and Cleaning
- Clean wire rack and insert using mild soap. Rinse thoroughly with clean tap water. Dry with soft cloth.
- Scrub your Thermal Packs with warm soap and water.
- Keep the pH (a measure of acidity of the water) between 7.4 and 7.8 to reduce the scaling and residue build-up.

### 3. Yearly Maintenance

- Replace worn out Thermal Packs. When The packs begin to wear out, the non-toxic filler oozes through the fabric and seams. The individual cells seem empty. These packs don't hold the heat. Throw away worn Thermal Packs.
- Have a professional electrician thoroughly check the following:
  - 1 - Test for leakage current, dielectric strength, and receptacle polarity and ground. If you need test details, call the number listed on the back page.
  - 2 - Check the power cord and plug. They should be free of cuts, abrasion and other damage. Replace the power cord assembly if it is damaged. Use only factory authorized replacement parts.
  - 3 - Remove the bottom cover and check all electrical components and connections. Replace any parts that are in questionable condition. Use only factory authorized replacement parts.

There are no user serviceable parts inside the unit. Refer all service and repair to Whitehall or a licensed technician. Do not attempt to take the unit apart, modify or interfere with the components or electrical parts. Doing so is hazardous and voids all warranties.

## CARE AND CLEANING

Before cleaning the appliance, be sure to turn power switch "OFF" and unplug the unit from the electrical receptacle. If necessary, empty (drain) the appliance by following instructions as outlined in the "EMPTYING your unit" section.

- No bleach or any cleaner with high chlorine content should be used under any circumstance.
- Clean regularly for optimal service and operation.
- Fill daily with water. Water is constantly lost during operation due to evaporation.
- Chlorine in regular tap water may be present in high enough concentrations to damage the unit.
- Inspect the heating element for pitting and other visible damage during regular cleaning intervals.
- Inspect the power cord for wear, fraying, and other visible damage during regular cleaning.
- Use only appropriate cleaning materials and tools for cleaning the unit. Ensure all cleaning materials are removed before use. It is the responsibility of the user to decontaminate and clean any spillage of hazardous materials before use.

## STORAGE

### 1. Storing the Thermalator

- See Care and Cleaning
- Place the Thermalator upright in a dry area away from any chemicals.

### 2. Storing the Thermal Packs

- Scrub your Thermal Packs with warm soap and water.
- Moist and Cold
  - 1 - Put the moist Thermal Pack in a plastic bag.
  - 2 - Seal the bag.
  - 3 - Store the bag in the freezer (recommended) or refrigerator.
- Dry
  - 1 - Air dry the Thermal Pack completely in a well ventilated area. The filler will become hard and caked. This doesn't hurt the bags; more Pre- Soaking time is then necessary.



## TROUBLESHOOTING

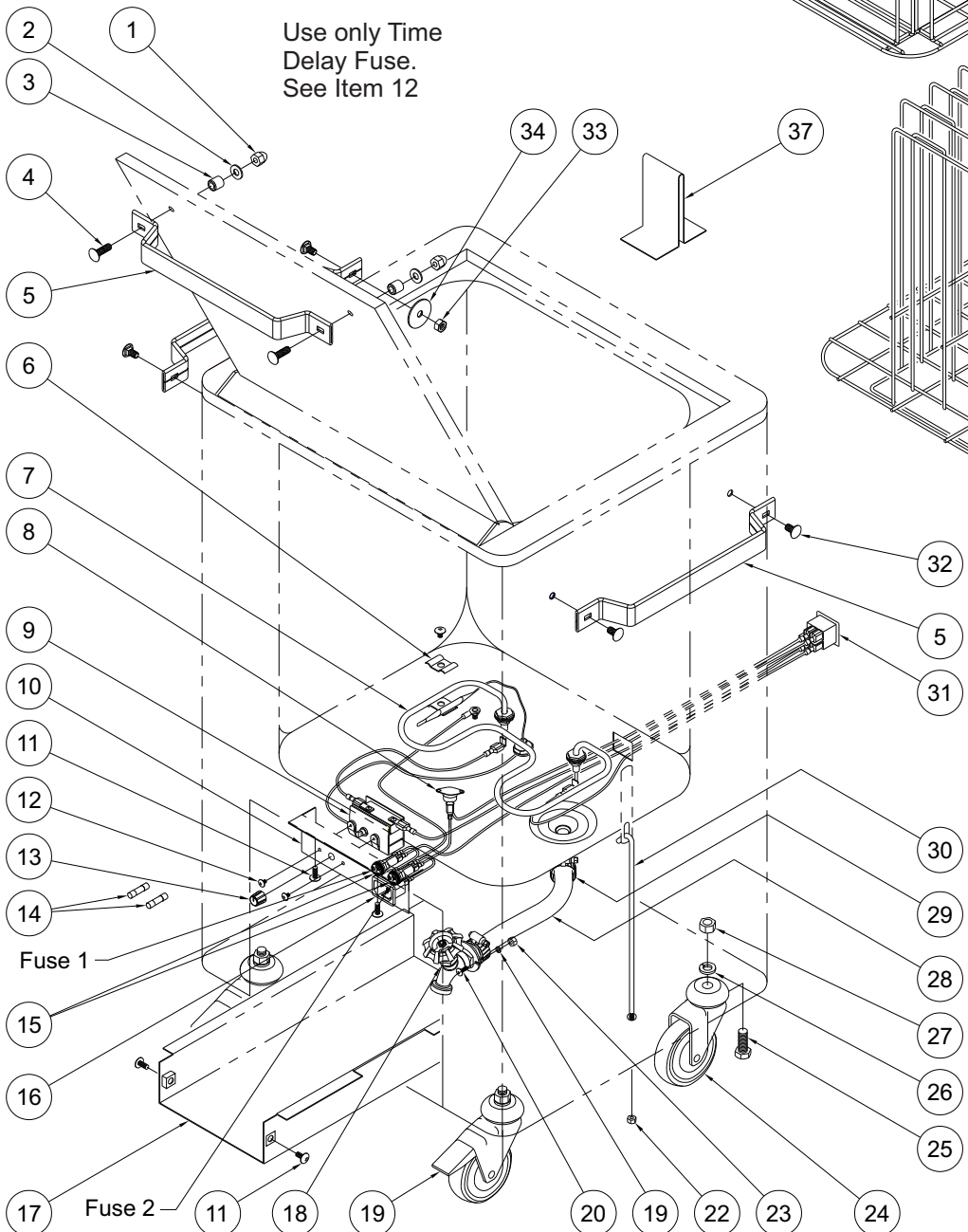
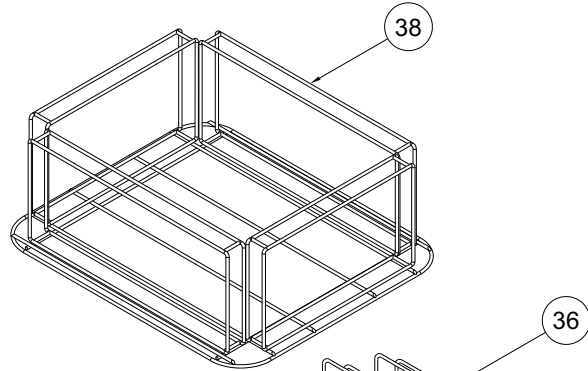
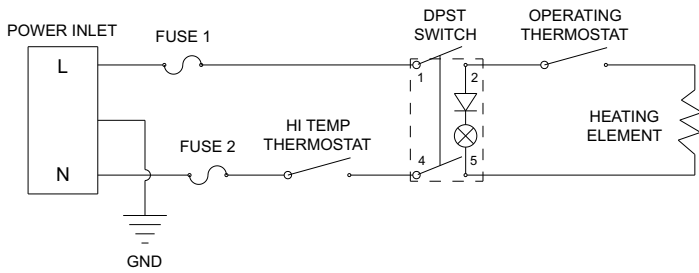
<b>Problem</b>	<b>Cause</b>	<b>Solution</b>
Water doesn't get hot, even though unit is plugged in and switch is ON	Circuit breaker is off Thermostat is not working Heating element is burned out	Adjust the thermostat Replace the thermostat Replace the heating element
Water is cloudy	The Thermo Packs are worn out (seeping) Too long between cleaning	Replace the Thermal Packs Drain, clean and refill
Thermal Packs too hot	The thermostat is set too high The thermostat is broken	Adjust the thermostat Replace the thermostat
Thermal Packs too hot and then too cool	The thermostat is broken	Replace the thermostat
Thermal Packs too cool	The thermostat is set too low The thermostat is broken There is a power failure	Adjust the thermostat Replace the thermostat Check the circuit and turn on the breaker
Rust in unit	Contact with ferrous metal	Remove the ferrous metal item from the unit -usually a staple, paper clip, safety pin, etc. Clean thoroughly.

## REPAIR OF UNIT

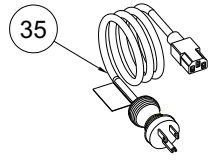
It may be necessary or you may desire to return the Thermalator unit for service. In that case, we would appreciate you contacting Whitehall Manufacturing directly. We will make arrangements for the unit to be returned to our production location. When the unit is received by us, an estimate of repairs will be made and you will be contacted. **Please- we appreciate warranty repair or any other repair be arranged directly with Whitehall Manufacturing. If you are not satisfied with our service, then and only then, contact your dealer.**



# Exploded View



Use only Time Delay Fuse. See Item 12



**Protective Conductor Terminal**  
The protective conductor terminal in the above figure identifies the location of the bonding terminal, which is bonded to conductive accessible parts of the enclosure for safety purposes.



Alternating Current



Fuse Location



## Model T-8-M (120 VAC 60 Hz)

ITEM	PART NUMBER	DESCRIPTION
1	6502-520-000	1/4"-20 high crown acorn nut
2	0338-004-000	Plastic washer
3	6702-532-199	Handle Spacer
4	0126-058-000	1/4"-20 x 1-1/2" phillips screw
5	6702-151-199	Handle - Thermalator
6	6702-050-002	Thermometer Clamp Assembly
7	6505-500-000	Heating Element (120VAC/1000W) w/ washers & nuts
8	0710-446-000	Thermal Overheating Sensor
9	6505-511-000	Thermostat (65-170 °) w/ washers & nuts
10	6702-520-199	Electrical panel
11	0116-010-000	#10-32 x 1/2" truss phillips head screw
12	0116-008-000	#6-32 x 3/16" phillips screw
13	6505-508-000	Thermostat knob
14	6900-136-000	Fuse, ceramic 1/4" x 1-1/4" lg 15A 250VAC
15	0710-232-000	Fuse holder assembly 1/4" x 1-1/4" lg
16	6505-546-000	10A/15A 250VA Snap-in power inlet
17	6702-518-001	Electrical cover assembly
18	6512-006-000	Drain valve
19	6507-058-000	3" caster with brake
20	0108-103-000	#6-32 x 5/16" phillips screw
21	0322-003-000	#6 lock washer
22	0308-010-000	#10-32 nylon insert locknut
23	0302-011-000	#6-32 SST hex nut
24	6507-008-000	3" caster
25	2803-300-000	3/8"-16 x 1-1/4" hex head cap screw
26	0337-003-000	3/8" lockwasher
27	0302-007-000	3/8"-16 hex nut
28	6700-041-000	7/8" OD x 5/8" ID norprene tubing
29	0358-003-000	Hose clamp
30	6702-531-199	Inner tank tensioner
31	6505-510-000	On/Off switch
32	0118-001-000	1/4-20 UNC x 1/2" carriage bolt stn stl
33	0302-005-000	1/4-20 UNC stn stl hex nut
34	0331-031-000	1/4" Fender washer
35	6505-056-000	Power cord 13A, 125V
36	6702-550-001	Insert rack assembly, vinyl coated
37	6702-045-199	Cervical hot pack rack adapter
38	6702-560-001	Insert support loop, vinyl coated



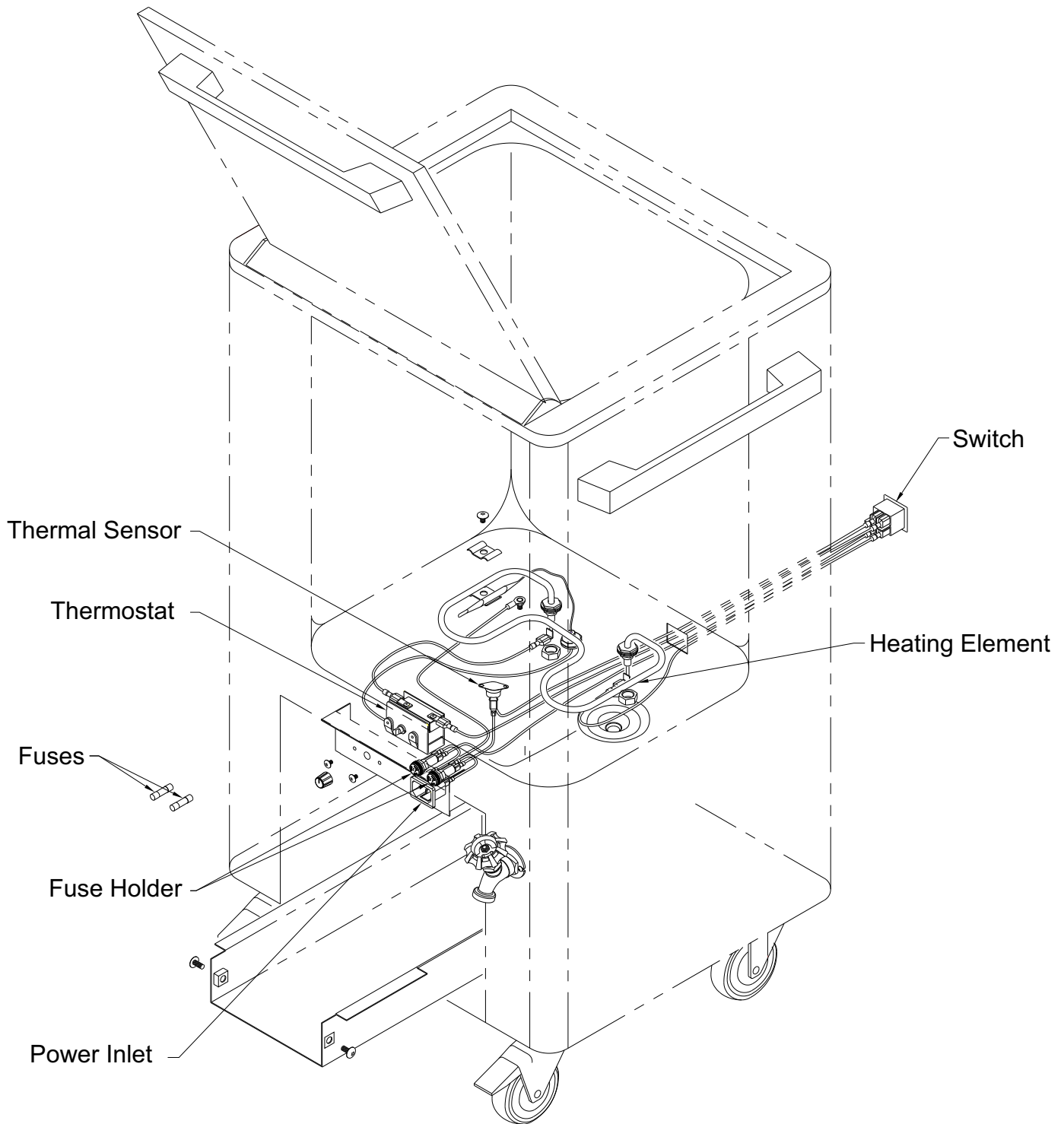
## Model ET-8-M (220 VAC 50/60 Hz)

ITEM	PART NUMBER	DESCRIPTION
1	6502-520-000	1/4"-20 high crown acorn nut
2	0338-004-000	Plastic washer
3	6702-532-199	Handle Spacer
4	0126-058-000	1/4"-20 x 1-1/2" phillips screw
5	6702-151-199	Handle - Thermalator
6	6702-050-002	Thermometer Clamp Assembly
7	6505-501-000	Heating Element (220VAC/1000W) w/ washers & nuts
8	0710-446-000	Thermal Overheating Sensor
9	6505-511-000	Thermostat (65-170 °) w/ washers & nuts
10	6702-520-199	Electrical panel
11	0116-010-000	#10-32 x 1/2" truss phillips head screw
12	0116-008-000	#6-32 x 3/16" phillips screw
13	6505-508-000	Thermostat knob
14	0710-202-000	Fuse, ceramic 5mm x 20mm 6A 250V time delay
15	0710-230-001	Fuse holder assembly 5mm x 20mm
16	6505-546-000	10A/15A 250VA Snap-in power inlet
17	6702-518-001	Electrical cover assembly
18	6512-006-000	Drain valve
19	6507-058-000	3" caster with brake
20	0108-103-000	#6-32 x 5/16" phillips screw
21	0322-003-000	#6 lock washer
22	0308-010-000	#10-32 nylon insert locknut
23	0302-011-000	#6-32 SST hex nut
24	6507-008-000	3" caster
25	2803-300-000	3/8"-16 x 1-1/4" hex head cap screw
26	0337-003-000	3/8" lockwasher
27	0302-007-000	3/8"-16 hex nut
28	6700-041-000	7/8" OD x 5/8" ID norprene tubing
29	0358-003-000	Hose clamp
30	6702-531-199	Inner tank tensioner
31	6505-515-000	On/Off switch
32	0118-001-000	1/4-20 UNC x 1/2" carriage bolt stn stl
33	0302-005-000	1/4-20 UNC stn stl hex nut
34	0331-031-000	1/4" fender washer
35	Call for part #	Power cord 13A, 125V
36	6702-550-001	Insert rack assembly, vinyl coated
37	6702-045-199	Cervical hot pack rack adapter
38	6702-560-001	Insert support loop, vinyl coated





## ELECTRICAL PARTS DISASSEMBLY







**Whitehall Manufacturing®**  
Manufacturer of Healthcare and Rehabilitation Products since 1946

**Mailing Address:**

P.O. Box 3527 • City of Industry, CA 91744-0527 U.S.A

**Physical Address:**

15125 Proctor Avenue • City of Industry, CA 91746 U.S.A

Phone 800-782-7706 • 626-968-6681

Fax 626-855-4862

Web: [www.whitehallmfg.com](http://www.whitehallmfg.com)

E-mail: [info@whitehallmfg.com](mailto:info@whitehallmfg.com)

Any questions regarding servicing of products in Europe or the Middle East should be directed to:  
Acorn Powell, Limited • 5 Brearley Court, Baird Road Quedgeley, Gloucester GL2 2AF, United Kingdom  
Phone (44) 01452 721211 • Fax (44) 01452 721231  
Web [www.acornpowell.co.uk](http://www.acornpowell.co.uk)  
[technicalsupport@acornpowell.co.uk](mailto:technicalsupport@acornpowell.co.uk)

## MANUFACTURER'S WARRANTY

Go to [www.whitehallmfg.com](http://www.whitehallmfg.com) to fill out eWarranty Registration, keyword search: WARRANTY.

Whitehall Manufacturing Company warrants that its products are free from defects in material or workmanship under normal use and service for a period of one year from date of shipment. Whitehall's liability under this warranty shall be discharged solely by replacement or repair of defective material, provided Whitehall is notified in writing within one year from date of shipment, F.O.B. Industry, California.

**This warranty does not cover installation or labor charges, and does not apply to materials which have been damaged by other causes such as mishandling or improper care or abnormal use.** The repair or replacement of the defective materials shall constitute the sole remedy of the Buyer and the sole remedy of Whitehall under this warranty. Whitehall shall not be liable under any circumstances for incidental, consequential or direct charges caused by defects in the materials, or any delay in the repair or replacement thereof. This warranty is in lieu of all other warranties expressed or implied. Product maintenance instructions are issued with each fixture, and disregard or non-compliance with these instructions will constitute an abnormal use condition and void the warranty. Stainless steel must be properly maintained after the water has been introduced into the fixture, or Whitehall's limited warranty is void. If you have any questions or require technical assistance, please call 800-743-8219.

**NOTICE TO KEEP ORIGINAL PACKAGING-** Regarding warranty claims: customer must retain original packaging for one year upon receipt of product. If packaging is discarded, it is the customer's responsibility to provide adequate packaging. Any shipping claims that are a direct result of customer-provided packaging materials will be handled by the shipper.