

## Archimedes Bath Lift

The Archimedes Bath Lift will lower a person into a bath, on a fixed position seat, using a battery powered hand control.



Lifting capacity to 26 stone

Product code: LAA3702A



### Technical Specifications

Max user weight	165 kg/26 stone
Max height	45 cm / 17"
Min height	8 cm / 2 ½"
Seat depth	44.5 cm / 17 ½"
Total length	61 cm / 24"
Width (ex side flaps)	39.5 cm / 15 ½"
Width of side flap	17 cm / 6 ¾"
Total Product weight	10 kg / 22 lbs
Back/headrest length	66.5 cm / 26"

### Easy to fit

- Simple to fit – separates into three pieces, making it portable and lightweight
- Fits further back in the bath to maximise leg room and avoid most bath handles and anti-slip coatings
- Unique 4 way quick release suckers make removing the Bath Lift simple – reducing strain on your back
- Lowers within 8cm of the bottom of the bath

### Safe to use

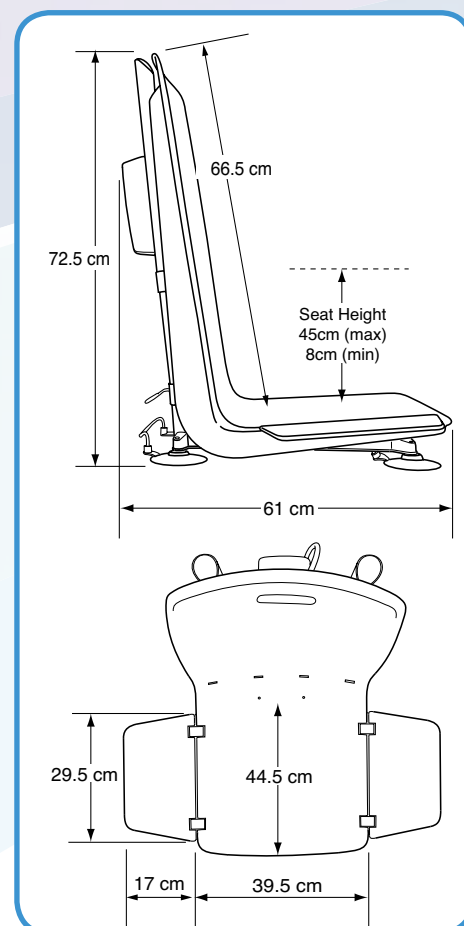
- Unique flexible flaps that bend on contact with an obstruction, limiting the damage caused by entrapment
- Bath flaps have an anti-pinch design, eliminating the risk of skin being trapped between the seat and the flap on transfer
- Only lowers a person into the bath when there is sufficient battery power to raise them back out again
- Battery operated – no electric cables
- Fully waterproof hand control (IP67)

### Simple to maintain

- The easy to clean steel base unit has been designed with a structure that maintains strength whilst reducing weight
- No LOLER test required for two years\*
- Divides into three so it can be removed and cleaned with ease

### Improves wellbeing

- Bathing can reduce pain and promote a feeling of wellbeing
- Equipment will reduce the amount of moving and handling required from a carer
- Can be removed from the bath so enabling a more flexible environment for shared bathrooms



\*Always follow your own risk assessment policies