

# Instructions for Use

## Prep-Lock™ Tamper Evident Cap for IV Syringes

This bulk bag package configuration accommodates syringe fill automation.

### Indications for use

Tamper Evident Caps are indicated for use as a sterile tamper evident cap for IV syringes.

### Operating Instructions

**\*Use Aseptic Technique through all steps\***

1. Open bag by pulling apart tabs from corner.
2. Insert IV syringe's male luer into the cap and rotate clockwise while pushing downwards.

**Verify the installation by rotating  
the cap until snug.**

3. To Remove the Tamper Evident Cap, grip the Tamper Evident Cap and pull the outer sleeve straight off.
4. Twist off the tip cap counter clockwise and remove the small ring.

**Damaged components or missing cap  
indicates potential tampering.**

### Contraindications

None when used as described in the device's Instructions for Use.



### Caution

- Over or under torque can result in leaks and or difficulty in removal. It is the responsibility of the user to verify and validate their processes to maintain product integrity and sterility
- Do not use if sterile barrier is broken

	Manufacturer
	Do not use if package is damaged
<b>LOT</b>	Batch code
<b>REF</b>	Catalogue number
<b>STERILE EO</b>	Sterilized using ethylene oxide
	Use-by-date
	Do not re-use

	Do not resterilize
	Consult instructions for use
<b>Rx ONLY</b>	For sale by or on the order of a licensed health care practitioner
<b>EC REP</b>	Authorized representative in the European Community
	Caution
	Non-pyrogenic

**EC REP** Emurgo Europe  
Prinsessegracht 20  
2514 AP The Hague  
The Netherlands

**CE**  
1639

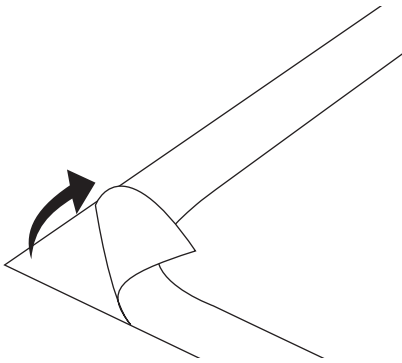
**MADE IN THE USA**

This product may be covered on one or more of the following U.S. Patents: U.S. 6,585,691, U.S. 6,921,383, U.S. 7,762,988 & U.S. 8,591,462

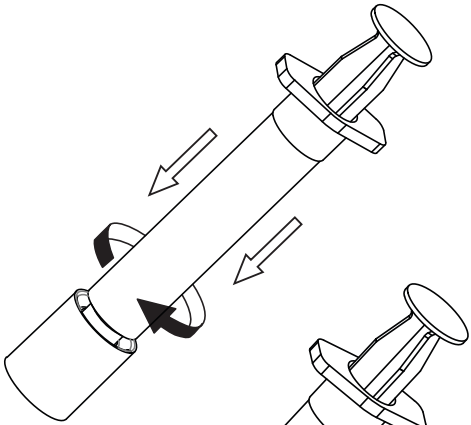
International Medical Industries, Inc.  
2981 Gateway Dr., Pompano Beach, FL 33069 USA  
www.imiweb.com (954) 917-9570

**IMI**®

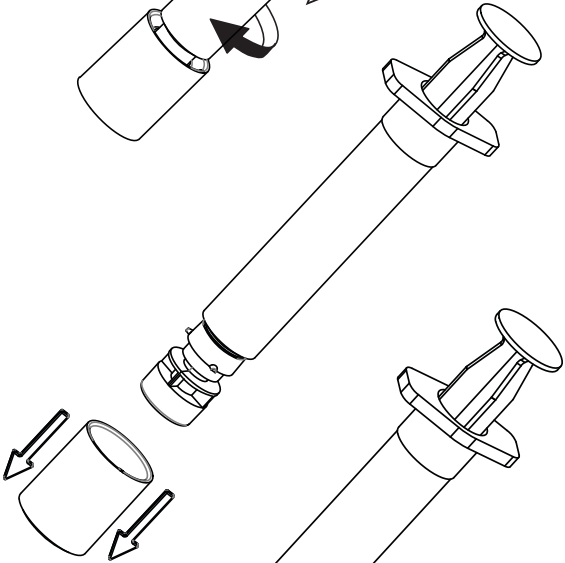
1



2



3



4

