

**McKesson**

# Compressor Nebulizer System

## instructions for use

**COMPACT | LIGHTWEIGHT  
ACCESSORIES INCLUDED**

Converts liquid medicine into a mist by using compressed air technology, suitable for all ages for the treatment of the upper and lower respiratory tract.

MFR # 16-3655LT

### TABLE OF CONTENTS

1. DESCRIPTION.....	1
2. SYMBOLS.....	1
3. SAFETY INFORMATION.....	1
4. MAIN UNIT.....	2
5. PREPARING THE NEBULIZER FOR USE.....	3
6. USING THE DEVICE.....	3
7. CLEANING AND DISINFECTING.....	3
8. CARING FOR THE DEVICE.....	4
9. STORING THE DEVICE.....	4
10. CLASSIFICATION.....	4
11. TROUBLESHOOTING.....	5
12. SPECIFICATIONS.....	5
13. GUIDANCE AND MANUFACTURER'S DECLARATION.....	6

### DESCRIPTION

Thank you for purchasing the McKesson Compressor Nebulizer System. This product was developed for the successful treatment of asthma, allergies and other respiratory disorders. The compressor forces air to the nebulizer. When the air enters the nebulizer, it converts the prescribed medication into an aerosol of microscopic droplets that can easily be inhaled.

### SYMBOLS

SYMBOL	MEANING
	Symbol for the marking of electrical and electronics devices according to Directive 2002/96/EC. Do not dispose in the trash. Please follow local ordinances or regulations for disposal.
	Keep dry
	Attention, consult accompanying documents
	Type BF applied part

### SAFETY INFORMATION

To assure the correct use of the product, basic safety measures should always be followed, including the warnings and cautions listed in this instruction manual.

#### WARNING

- The regime of medication shall follow the instructions of your physician or licensed healthcare practitioner.
- Do not cover the compressor with a blanket, towel, or any other type of cover during use. This could result in the compressor overheating or malfunctioning.
- Do not use the device where the device may be exposed to flammable gas or vapors.
- Do not use mineral water in the nebulizer for nebulizing purposes.
- Always dispose of any remaining medication in the medication tank after each use. Use fresh medication each time you use the device.

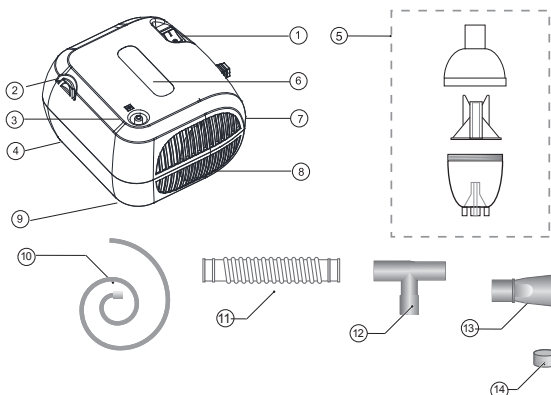
#### CAUTION

- Limit the use of the device to 20 minutes at a time, and wait 40 minutes before using the device again.
- Provide close supervision when this device is used by, on, or near infants, children or compromised individuals.
- Do not insert any object into the compressor.
- Make sure that the air filter is clean. If the air filter has changed color or has not been used for 60 days, replace the filter.
- Make sure that the nebulizer kit is correctly assembled, the air filter is properly installed, and the air tube is correctly connected to the compressor and the nebulizer kit. Air may leak from the air tube during use if not securely connected.
- Inspect the compressor (main unit) and the nebulizer parts each time before using the device. Make sure no parts are damaged, the nozzle and air tube are not blocked and the compressor operates normally.
- Do not use the device if the air tube is bent.
- Do not block the air filter cover.
- Do not alter the baffle, the nozzle in the medication tank or any part of the nebulizer kit.
- Do not add more than 10ml of medication to the medication tank.
- Do not operate the device at temperatures greater than 40°C.
- Do not tilt the nebulizer kit so the angle of the kit is greater than 45°. Medication may flow into the mouth.
- Do not shake the nebulizer kit while using the device.
- Do not subject the compressor, or any of the components, to strong shocks, such as dropping it on the floor.
- This device is approved for human use only.
- Do not disassemble or attempt to repair the device or components.
- Use the device only for its intended use as described in the instruction manual. Do not use attachments not recommended by the manufacturer.
- Dispose of the device, components and optional accessories according to applicable local regulations. Unlawful disposal may cause environmental pollution.
- Make sure that the air tube is securely attached to the compressor (main unit) and nebulizing parts, and does not come loose. Twist the air tube slightly when inserting it into the connectors to avoid the tube disconnecting during use.

#### RISK OF ELECTRICAL SHOCK

- Do not use the compressor (main unit) and the power cord while they are wet.
- Do not plug or unplug the power cord into the electrical outlet with wet hands.
- Do not immerse the compressor (main unit) in water or other liquid.
- Do not spill water or other liquids on the compressor. These parts are not waterproof. If liquid spills on these parts, please unplug the power cord and wipe off the liquid with gauze or other soft absorbent material immediately.
- Do not use or store the device in humid locations or outdoors. Use the device within the operating temperature and humidity.
- Do not overload power outlets. Plug the device into the appropriate voltage outlet.
- Do not use extension cords. Plug the power cord directly into the electrical outlet.
- Unplug the power cord from the electrical outlet after using the device. Never leave this product unattended when plugged in.
- Unplug the power cord from the electrical outlet before cleaning the device.
- Read all of the instructions before using the accessories.
- The direction of movement of the actuator of the supply mains switch is compliant with IEC 60447.

#### MAIN UNIT



- |                                       |                           |
|---------------------------------------|---------------------------|
| 1. Power Switch                       | 8. Thermal Via            |
| 2. Holder for Nebulizer               | 9. Rubber Foot            |
| 3. Air Plug                           | 10. Inhalation Tube       |
| 4. Dust Screen Cover                  | 11. Corrugated Pipe       |
| 5. Nebulizer Kit                      | 12. T-Type Connector      |
| 6. Logo                               | 13. Inhalation Mouthpiece |
| 7. McKesson Compressor Nebulizer Unit | 14. Air Filter            |

The nebulizer kit, nasal-piece, and mouthpiece are applied parts.

### PREPARING THE NEBULIZER FOR USE

#### CAUTION

- Clean and disinfect the nebulizer kit and optional masks before using them for the first time after purchase.
- If the device has not been used for a long period of time, please clean and disinfect the nebulizer kit and optional masks before using them.
- To prevent the risk of cross infection, multiple people should never use the same nebulizer kit.

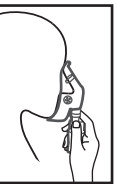
1. At normal use, place the device on a stable, sturdy and flat surface horizontally, such that the unit can be easily reached when you are seated. **CAUTION:** Place the device at least 10cm distance from walls.
2. Make sure that the unit is in the "off" (0) position by pressing on the right side of switch.
3. Insert the power plug into the electrical outlet.
4. Rotate the inhalation top counterclockwise to remove the inhalation top from the medication tank.
5. Add the correct amount of prescribed medication to the medication tank.
6. Turn the inhalation top clockwise until securely closed
7. Attach the desired inhalation accessory.

#### ATTACHING THE AIR TUBE

1. Push the air plug on one end of the air tube onto the air connector on the front side of the compressor.
2. Push the air plug on the other end of the air tube onto the air tube connector on the bottom of the nebulizer kit.

#### USING THE DEVICE

1. Switch on the power.
2. Plug the inhalation tube into the air plug under cover of device.
3. Plug the other side of tube into the vent port of bottom of nebulizer kit.
4. Plug the nebulizer kit into the holder on the device.
5. Add the medicine into the nebulization tank.
6. Turn on the 0/1 button.
7. The device begins to nebulizer.
8. Press the 0/1 button to safely terminate the operation of nebulizer.
9. Unplug the power cord from the electrical outlet after using the device.



#### CAUTION

The patient and operator must keep a distance from the device within 20cm to 50cm in normal use.

#### USING THE CHILD MASK OR THE ADULT MASK (SOLD SEPARATELY)

Place the mask over the nose and mouth. Pull the elastic strap over the head. Gently pull on the strap to securely hold the mask over the nose and mouth. Inhale the medication. Exhale normally through the mask.

**NOTE:** Infant, child and adult masks can be purchased separately.

Infant: MFR # 32641

Pediatric: MFR # 32645

Adult: MFR # 32642, 32643, or 32644

### CLEANING AND DISINFECTING

#### CLEANING

Following the cleaning instructions after each use will prevent any remaining medication in the bottle from drying, resulting in the device not nebulizing effectively, and will help prevent infections. Wash the nebulizer parts after each use. Dry the parts immediately after washing.

1. Remove the inhalation accessory (mask or mouthpiece) from the nebulizer kit.
2. Disconnect the air tubing from the nebulizer.
3. Gently twist the inhalation top counterclockwise and lift to separate the nebulizer into two sections.
4. Remove the baffle.
5. Discard remaining medication.
6. Rinse all the parts of the accessories (nebulizer kit, the mouthpiece and mask) in warm water and a mild detergent. Rinse thoroughly with warm water.
7. Hand dry or air dry in a clean environment using a soft, clean lint-free cloth.

#### CLEANING THE DEVICE AND THE TUBE'S OUTER SURFACE

1. Use a cloth dampened with antibacterial detergent (non-abrasive and free of solvents of any kind).
2. Assemble the nebulizer and store the nebulizer kit appropriately.

**CAUTION:** The nebulizer kit should be replaced every 6 months.

#### DISINFECTING

You can disinfect daily by soaking the parts in medical disinfectant which is commercially available in some pharmacies. If your physician or respiratory therapist specifies a different cleaning procedure, follow their instructions. Effective disinfection is only possible if the nebulizer has been cleaned. Disinfect accessories (nebulizer kit, mask, mouthpiece) after the last treatment of the day.

1. Disconnect all parts according to the above 1-5 steps.
2. Fill a container, suitable to contain all the individual components to be disinfected, with a solution of drinking water and disinfectant, while respecting the proportions indicated on the packaging of the disinfectant itself.
3. Completely immerse each individual component in the solution, taking care to avoid the formation of air bubbles in contact with the components. Leave the components immersed for the period of time indicated on the packaging of the disinfectant, and associated with the concentration chosen to prepare the solution.
4. Remove the components now disinfected and rinse thoroughly with lukewarm drinking water.
5. Hand dry or air dry in a clean environment using a soft, clean lint-free cloth.
6. Assemble the nebulizer and store the accessories in a dry, sealed bag.

### CARING FOR THE DEVICE

To keep your device in the best condition and protect the unit from damage, follow these directions:

#### CHANGE THE AIR FILTER

1. Pull the air filter cover to remove from the front side of the compressor.
2. Remove the dirty filter with hand.
3. Insert a new air filter into the air filter cover.
4. Put the air filter cover back on the compressor.
5. Do not maintain or service the device while it is in use.

#### CAUTION

Do not attempt to wash or clean the nebulizer filter. Damp filters can cause blockages. Do not substitute cotton or any other material for the filter. Wash the nebulizer filter cover regularly to prevent any blockage in the cover. Do not boil. Make sure the cover is dry before inserting the new filter.

### STORING THE DEVICE

Store the device in a safe, clean location. Do not store the device in extreme hot or cold temperature, high humidity or in direct sunlight.

#### WARNING

Do not leave the device or its parts where it will be exposed to extreme temperatures or changes in humidity, such as leaving the device in a vehicle during warm or hot months, or where it will be exposed to direct sunlight.

Keep the device out of the reach of unsupervised infants and children. The device may contain small parts that can be swallowed.

#### CAUTION

Do not carry or leave the nebulizer with medication in the medication tank.

Do not disassemble or attempt to repair the device or components.

### MAINTENANCE AND STORAGE

- Do not leave the cleaning solution in the nebulizer parts. Rinse the nebulizer parts with clean hot tap water after disinfecting.
- Wash the nebulizer parts after each use. Dry the parts immediately after washing.
- Do not store the air tube with moisture or medication remaining in the air tube. This could result in infection as a result of bacteria.
- Store the device and the components in a clean, safe location.
- Do not carry or leave the nebulizer with medication in the medication tank.
- Do not place or attempt to dry the device, components or any of the nebulizer parts in a microwave oven.
- Do not wrap the power cord around the compressor (main unit).

### CLASSIFICATION

Equipment Classification with respect to protection from electric shock: CLASS II

Degree of protection from electric shock: TYPE BF

Degree of protection against ingress of water is rated as IPX0. Equipment not suitable for use in the presence of flammable anesthetic mixture with air, oxygen or nitrous oxide.

Intermittent operation: 20 minutes ON, 40 Minutes OFF.

## TROUBLESHOOTING

### TROUBLESHOOTING GUIDE

PROBLEM	CAUSE	SOLUTION
No power on unit when the power switch is on.	The AC power cord is not plugged into an electrical outlet.	Turn the power switch off. Plug the power plug into an electrical outlet. Turn the device on.
No nebulization or low nebulization rate when the power is on.	No medication in the medication tank. Too much or too little medication in the medication tank.	Add the correct amount of prescribed medication to the medication tank.
	The nebulizer kit is not correctly assembled.	Make sure the nebulizer kit is correctly assembled and the inhalation accessory is correctly attached.
	The nebulizer kit is tilted at an incorrect angle.	Hold the nebulizer kit correctly. Do not tilt the nebulizer kit so the angle of the kit is greater than 45 degrees.
	The air tube is incorrectly attached.	Make sure the air tube is correctly attached to the compressor and the nebulizer kit.
The device is very hot.	The air tube is folded or damaged. The air tube is blocked.	Make sure the air tube is not folded, kinked or bent. Inspect the air tube for any damage. Replace the air tube if damaged.
	The compressor is covered. The device has been used for longer than 20 minutes.	Do not cover the compressor with any type of cover during use. Turn the device off. Wait 40 minutes before using the device again.

Model	16-3655LT
Rated Voltage	AC 120V, 60 HZ 1.4 A
Extreme Pressure	≥30PSI
Free Flow Range	7L/min
Nebulizing Pressure	60 Kpa~180Kpa
Noise Level	≤ 65dB
Rated Power	≤200VA
Max capacity of nebulizer kit	6 ml
Particle size	1~5 μm≥60%
Nebulizing Rate	≥0.1mL/min
Operation mode	20 minutes on, 40 minutes off
Operation Temperature and Humidity Atmospheric Pressure	+10°C to +40°C, 85% and below, 860-1060hPa
Transport and Storage Temperature and Humidity/Atmospheric Pressure	-10°C to +40°C, 95% and below, 500-1060hPa
Size	146mm x 138mm x 95mm
Pollution Degrees	Degrees 2
Overvoltage Category	Category II
High Altitudes (m)	2000m
Accessories	Nebulizer Kit, Mouthpiece, Inhalation Tube, T-type Connector, Corrugated Pipe

### SPECIFICATIONS

#### NOTES

- Subject to technical modification without prior notice.
- Please note that specifications may vary with medication type used.
- Do not use the device where it may be exposed to flammable gas.
- This unit confirms to EMC Standard IEC60601-1-2. However, if it is used together with other medical devices or electrical equipment, they may influence the operations of one of devices. Please follow instructions in the manuals and use all devices correctly.

#### COMPRESSOR NEBULIZER SYSTEM

With respect to electric shock, fire and mechanical hazards, only in accordance with IEC60601-1.

### Guidance and manufacturer's declaration - electromagnetic emissions-for all EQUIPMENT and SYSTEMS

The 16-3655LT is intended for use in the electromagnetic environment specified below. The customer of the user of the 16-3655LT should assure that it is used in such environment.

Emission test	Compliance	Electromagnetic environment - guidance
RF emissions CISPR 11	Group 1	The 16-3655LT uses RF energy only for its internal function. Therefore, its RF emissions are very low and are not likely to cause any interference in nearby electronic equipment.
RF emissions CISPR 11	Class B	The 16-3655LT is suitable for use in all establishments, including domestic establishments and those directly connected to the public low-voltage power supply network that supplies buildings used for domestic purposes.
Harmonic emissions IEC 61000-3-3	Class A	
Voltage fluctuations/ flicker emissions IEC 61000-3-3	Complies	

The manufacturer reserves the right to make technical changes without notice in the interest of progress. Prior notices will not be given in case of any amendments within this manual. The mentioned trademarks and names are owned by the corresponding companies.

Not made with natural rubber latex.

Questions? Call 1-800-777-4908

#### ■ Satisfaction Guaranteed

If you are not completely satisfied with any McKesson Brands product, you may return it for a full refund or credit.

Distributed by McKesson Medical-Surgical Inc.  
Richmond, VA 23233  
PVN A0818  
Made in China