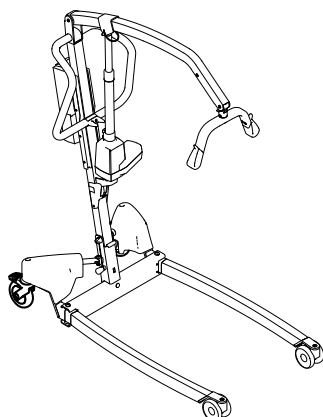
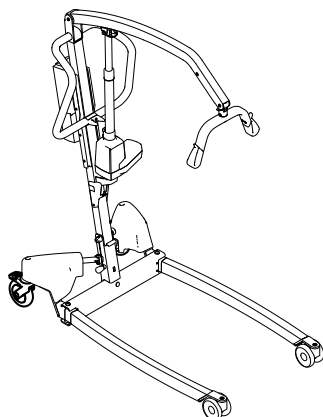
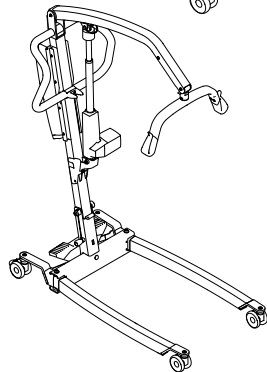
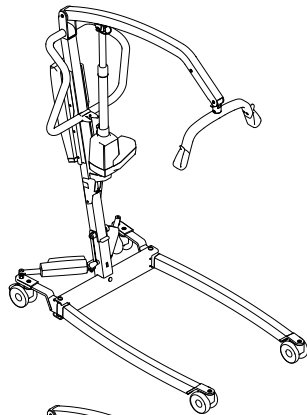


# Invacare® Birdie® EVO

Birdie® EVO, Birdie® EVO COMPACT, Birdie® EVO PLUS,  
Birdie® EVO XPLUS



en	Mobile Patient Lift User Manual .....	3
de	Mobiler Patientenlifter Gebrauchsanweisung .....	35
es	Grúa de elevación Manual del usuario .....	71
fr	Lève-personne mobile Manuel d'utilisation .....	103
it	Sollevatore mobile Manuale d'uso .....	137
nl	Mobiele patiëntenlift Gebruiksaanwijzing .....	169
pt	Elevador de transferência móvel Manual de utilização .....	203



This manual MUST be given to the user of the product.  
BEFORE using this product, this manual MUST be read and saved  
for future reference.



**Yes, you can.®**

©2020 Invacare Corporation

All rights reserved. Republication, duplication or modification in whole or in part is prohibited without prior written permission from Invacare. Trademarks are identified by ™ and ®. All trademarks are owned by or licensed to Invacare Corporation or its subsidiaries unless otherwise noted.

—

Alle Rechte vorbehalten. Die Weiterveröffentlichung, Vervielfältigung oder Änderung im Ganzen oder in Teilen ohne vorherige schriftliche Genehmigung von Invacare ist untersagt. Marken sind durch ™ und ® gekennzeichnet. Soweit nicht anders angegeben sind alle Marken Eigentum der Invacare Corporation bzw. derer Tochtergesellschaften oder werden von diesen in Lizenz genutzt.

—

Todos los derechos reservados. Queda prohibido volver a publicar, copiar o modificar el presente documento, en parte o por completo, sin el previo consentimiento por escrito de Invacare. Las marcas comerciales están identificadas mediante ™ y ®. A menos que se estipule lo contrario, todas las marcas comerciales son propiedad de Invacare Corporation o de sus filiales, o bien Invacare Corporation o sus filiales cuentan con las correspondientes licencias.

—

Tous droits réservés. La republication, la duplication ou la modification de tout ou partie du présent document est interdite sans l'accord écrit préalable d'Invacare. Les marques commerciales sont identifiées par ™ et ®. Toutes les marques commerciales sont détenues par ou cédées sous licence à Invacare Corporation ou ses filiales, sauf stipulation contraire.

—

Tutti i diritti riservati. È proibita la riproduzione, la duplicazione o la modifica parziale o completa, salvo previa autorizzazione scritta da parte di Invacare. I marchi sono contrassegnati da ™ e ®. Tutti i marchi sono di proprietà o licenza di Invacare Corporation o di sue affiliate, salvo indicazione contraria.

—

Alle rechten voorbehouden. Herpublicatie, duplicatie of gehele of gedeeltelijke wijziging is verboden zonder voorafgaande schriftelijke toestemming van Invacare. Handelsmerken zijn te herkennen aan ™ en ®. Alle handelsmerken zijn eigendom van of gelicentieerd aan Invacare Corporation of haar dochterondernemingen, tenzij anders aangegeven.

—

Todos os direitos reservados. A republicação, duplicação ou modificação total ou parcial está interdita sem a autorização prévia por escrito da Invacare. As marcas comerciais são identificadas pelos símbolos ™ e ®. Todas as marcas comerciais são propriedade da ou estão licenciadas à Invacare Corporation ou às suas subsidiárias, exceto quando apresentada informação em contrário.

# Contents

This manual MUST be given to the user of the product.  
BEFORE using this product, this manual MUST be read and saved  
for future reference.

<b>1 General</b> .....	<b>4</b>	<b>7 Transportation and Storage</b> .....	<b>24</b>
1.1 Introduction .....	4	7.1 General information .....	24
1.1.1 Symbols in this Document .....	4	7.2 Disassembling the mast from the base .....	24
1.2 Service Life .....	4	7.3 Folding the mast .....	24
1.2.1 Additional information .....	4	7.4 Mast extension for upright positioning .....	24
1.3 Limitation of Liability .....	4	<b>8 Maintenance</b> .....	<b>25</b>
1.4 Warranty Information .....	4	8.1 General maintenance information .....	25
1.5 Compliance .....	4	8.2 Daily inspections .....	25
1.5.1 Product-specific standards .....	4	8.3 Cleaning and Disinfection .....	25
<b>2 Safety</b> .....	<b>5</b>	8.3.1 General safety information .....	25
2.1 General safety information .....	5	8.3.2 Cleaning Intervals .....	25
2.1.1 Pinch points .....	5	8.3.3 Cleaning instructions .....	25
2.2 Safety information on accessories .....	6	8.3.4 Disinfection Instructions .....	26
2.3 Safety information on electromagnetic interference .....	6	8.4 Service interval .....	26
2.4 Labels and symbols on the product .....	6	8.4.1 LOLER Statement .....	26
2.4.1 Label location .....	6	<b>9 After Use</b> .....	<b>27</b>
2.4.2 Identification label .....	7	9.1 Disposal .....	27
2.4.3 Other symbols .....	7	9.2 Reconditioning .....	27
<b>3 Product Overview</b> .....	<b>8</b>	<b>10 Troubleshooting</b> .....	<b>28</b>
3.1 Intended use .....	8	10.1 Identifying faults and possible solutions .....	28
3.2 Main parts of the lift .....	8	<b>11 Technical Data</b> .....	<b>29</b>
3.3 Accessories .....	8	11.1 Maximum safe working load .....	29
<b>4 Setup</b> .....	<b>9</b>	11.2 Dimensions and weights .....	29
4.1 General safety information .....	9	11.3 Electrical system .....	30
4.2 Scope of delivery .....	9	11.4 Environmental conditions .....	31
4.3 Installing the mast .....	9	11.5 Materials .....	31
4.3.1 Unfolding the mast .....	9	11.6 Operating forces of controls .....	31
4.3.2 Assembling the mast to the base .....	10	<b>12 Electromagnetic compatibility (EMC)</b> .....	<b>32</b>
4.4 Unfolding the spreader bar .....	10	12.1 General EMC information .....	32
4.5 Installing the actuator to the boom .....	11	12.2 Electromagnetic emission .....	32
4.6 Installing the lever for manual leg spreader .....	11	12.3 Electromagnetic Immunity .....	32
4.7 Resetting the service indicator .....	11		
<b>5 Usage</b> .....	<b>13</b>		
5.1 General safety information .....	13		
5.2 Locking/Unlocking the rear castors .....	13		
5.3 Raising/Lowering an Electric Lift .....	13		
5.4 Closing/Opening Legs .....	13		
5.4.1 Closing/Opening Electric Legs .....	13		
5.4.2 Closing/Opening legs manually .....	13		
5.5 Replacing the spreader bar .....	13		
5.6 Emergency functions .....	14		
5.6.1 Performing an emergency stop .....	14		
5.6.2 Activating an emergency lowering (CBJ Home control unit) .....	14		
5.6.3 Activating an emergency lowering (CBJ Care, CBJ1, CBJ2 control unit) .....	14		
5.6.4 Activating an emergency lifting (CBJ Care, CBJ1 control unit) .....	14		
5.6.5 Activating a mechanical emergency lowering .....	14		
5.7 Charging the battery .....	15		
5.7.1 CBJ Home control unit .....	15		
5.7.2 CBJ Care, CBJ1, CBJ2 control unit .....	15		
5.7.3 Optional hand control .....	16		
5.7.4 Optional battery charger .....	16		
<b>6 Patient Transfer</b> .....	<b>18</b>		
6.1 General safety information .....	18		
6.2 Preparing to lift .....	18		
6.2.1 Attaching the sling to the lift .....	19		
6.3 Transferring a patient from a bed .....	19		
6.4 Transferring a patient to a bed .....	20		
6.5 Transferring a patient from a wheelchair .....	21		
6.6 Transferring a patient to a wheelchair .....	21		
6.7 Transferring a patient to and from a commode .....	21		
6.8 Lifting a patient from the floor .....	22		

# 1 General

## 1.1 Introduction

This user manual contains important information about the handling of the product. To ensure safety when using the product, read the user manual carefully and follow the safety instructions.

Note that there may be sections in this document, which are not relevant to your product, since this document applies to all available models (on the date of printing). If not otherwise stated, each section in this document refers to all models of the product.

The models and configurations available in your country can be found in the country-specific sales documents.

Invacare reserves the right to alter product specifications without further notice.

Before reading this document, make sure you have the latest version. You find the latest version as a PDF on the Invacare website.

If you find that the font size in the printed document is difficult to read, you can download the PDF version from the website. The PDF can then be scaled on screen to a font size that is more comfortable for you.

For more information about the product, for example product safety notices and product recalls, contact your Invacare distributor. See addresses at the end of this document.

In case of a serious incident with the product, you should inform the manufacturer and the competent authority in your country.

### 1.1.1 Symbols in this Document

Symbols and signal words are used in this document and apply to hazards or unsafe practices which could result in personal injury or property damage. See the information below for definitions of the signal words.



#### WARNING

Indicates a hazardous situation that could result in serious injury or death if it is not avoided.



#### CAUTION

Indicates a hazardous situation that could result in minor or slight injury if it is not avoided.



#### IMPORTANT

Indicates a hazardous situation that could result in damage to property if it is not avoided.



#### Tips and Recommendations

Gives useful tips, recommendations and information for efficient, trouble-free use.

## 1.2 Service Life

The expected service life of this product is eight years when used daily and in accordance with the safety instructions,

maintenance intervals and correct use, stated in this manual. The effective service life can vary according to frequency and intensity of use.

### 1.2.1 Additional information

The expected service life is based on an estimated average of 4 lifting cycles per day.

## 1.3 Limitation of Liability

Invacare accepts no liability for damage arising from:

- Non-compliance with the user manual
- Incorrect use
- Natural wear and tear
- Incorrect assembly or set-up by the purchaser or a third party
- Technical modifications
- Unauthorised modifications and/or use of unsuitable spare parts

## 1.4 Warranty Information

We provide a manufacturer's warranty for the product in accordance with our General Terms and Conditions of Business in the respective countries.

Warranty claims can only be made through the provider from whom the product was obtained.

## 1.5 Compliance

Quality is fundamental to the company's operation, working within the disciplines of ISO 13485.

This product features the CE mark, in compliance with the Medical Device Regulation 2017/745 Class I. The launch date of this product is stated in the CE declaration of conformity.

We are continuously working towards ensuring that the company's impact on the environment, locally and globally, is reduced to a minimum.

We only use REACH compliant materials and components.

We comply with the current environmental legislations WEEE and RoHS.

### 1.5.1 Product-specific standards

The product has been tested and conforms to ISO 10535 (Hoists for the transfer of disabled persons) and all related standards.

For further information about local standards and regulations, contact your local Invacare representative. See addresses at the end of this document.

## 2 Safety

### 2.1 General safety information

This section of the manual contains general safety information about your product. For specific safety information, refer to the appropriate section of the manual and procedures within that section.



#### **WARNING!**

##### **Risk of injury or damage**

- Do not use this product or any available optional equipment without first completely reading and understanding these instructions and any additional instructional material such as user manuals or instruction sheets supplied with this product or optional equipment. If you are unable to understand the warnings, cautions or instructions, contact a healthcare professional, Invacare provider or qualified technician before attempting to use this product.
- Do not make any unauthorized alterations or modifications to the product.



#### **WARNING!**

##### **The maximum safe working load must not be exceeded**

- Do not exceed the maximum safe working load of this product or used accessories like slings, spreader bars etc. See documentation or the labeling for the stated maximum safe working load.
- The component with the lowest load limit determines the maximum safe working load of the entire system.



#### **WARNING!**

##### **Risk of injury or damage**

- Improper use of this product may cause injury or damage.
- Do not attempt any transfer without approval of the patient's healthcare professional.
  - Read the instructions in this user manual and observe trained personnel performing transfer procedures. Then practice transfers under supervision and with a capable person acting as a patient.
  - Special care must be taken with people with disabilities who cannot cooperate while being transferred.
  - Do not use the lift as a transport device. It is intended to transfer an individual from one resting surface to another.



#### **WARNING!**

##### **Risk of injury or damage**

- Inappropriate handling of cables can cause electrical shock and product failure.
- Do not kink, shear or otherwise damage the cables of the product.
  - Make sure that no cables are jammed or damaged, when the product is used.
  - Make sure the wiring is correct and connections are proper.
  - Do not use unauthorized equipment.



#### **WARNING!**

##### **Risk of injury or damage**

- Excessive moisture will damage the product and may cause electrical shock.
- The patient lift can be used in a bath or shower area but must NOT be used under the shower. The patient must be transferred to a shower chair or use other means for showering.
  - If the patient lift is used in a moisture environment, ensure that the patient lift is wiped clean of any moisture after use.
  - Do not plug or unplug the power cable in a moisture environment or with wet hands.
  - Do not store the product in a damp area or damp condition.
  - Periodically inspect all components of the product for signs of corrosion or damage. Replace parts that are corroded or damaged.
  - See *11.4 Environmental conditions, page 31.*



#### **WARNING!**

##### **Risk of injury or damage**

- Ignition sources can cause burns or fire.
- Patient transfer must be performed with a safety space between the lift and possible ignition sources (heater, stove, fireplace, etc.)
  - The patient and assistants must not smoke during transfer.
  - The sling must not be placed over heat sources (heater, stove, fireplace, etc.)



#### **WARNING!**

##### **Risk of injury or damage**

- To avoid injury or damage when operating the product:
- Close supervision is necessary when the product is used near children or pets.
  - Do not let children play with the product.



#### **CAUTION!**

##### **Risk of injury or damage**

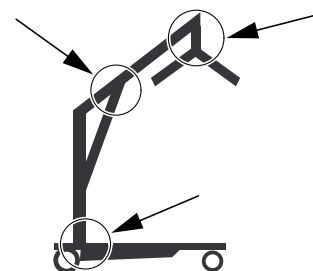
- The product can get hot when exposed to sunlight or other heat sources.
- Do not expose the product to direct sunlight for prolonged periods.
  - Keep the product away from heat sources.



#### **IMPORTANT!**

- Accumulation of lint, dust and other dirt can impair the product.
- Keep the product clean.

#### 2.1.1 Pinch points





**WARNING!**

**Risk of Injury**

Pinch points are present in several locations on the lift and fingers could be pinched.

- Always keep hands and fingers clear of moving parts.

**2.2 Safety information on accessories**



**CAUTION!**

**Risk of injury**

Non-original or incorrect accessories may affect the function and safety of this product.

- Due to regional differences, refer to your local Invacare website or catalog for available accessories or contact your Invacare provider.
- See the manual delivered with the accessory for further information and instructions.
- Use only original accessories for the product in use. Under certain circumstances, the use slings from other manufacturers is possible. See additional information in this section.
- A risk assessment is always to be carried out by a professional prior to issuing lifting equipment. It is important that the Task, Individual, Load, Environment and Equipment are considered in the risk assessment.
- Always choose the sling design and size according to the patient's weight, size and physical ability whilst considering the type of transfer to be carried out.



**CAUTION!**

**Compatibility of slings with attachment system**

Invacare uses a common attachment system based on hooks and loops. Loops on the slings are attached to hooks on spreader bars (coat hanger style). Therefore, suitable slings of other manufacturers can be used on this lift as well.

- Use only slings with loop attachments that are suitable for spreader bars (coat hanger style) with hooks.
- Do not use slings designed for "Keyhole or Clip Attachment Systems" or "Tilting Frame Systems".

**2.3 Safety information on electromagnetic interference**



**WARNING!**

**Risk of malfunction due to electromagnetic interference**

Electromagnetic interference between this product and other electrical equipment can occur and disturb the electrical adjustment functions of this product. To prevent, reduce or eliminate such electromagnetic interference:

- Only use original cables, accessories and spare parts, to not increase electromagnetic emission or reduce electromagnetic immunity of this product.
- Do not use portable radio frequency (RF) communications equipment closer than 30 cm to any part of this product (including cables).

- Do not use this product near active high-frequency surgical equipment and the RF shielded room of a system for magnetic resonance imaging, where the intensity of electromagnetic disturbances is high.
- If disturbances occur, increase the distance between this product and the other equipment or switch it off.
- Refer to the detailed information and follow the guidance in chapter 12 *Electromagnetic compatibility (EMC)*, page 32.



**WARNING!**

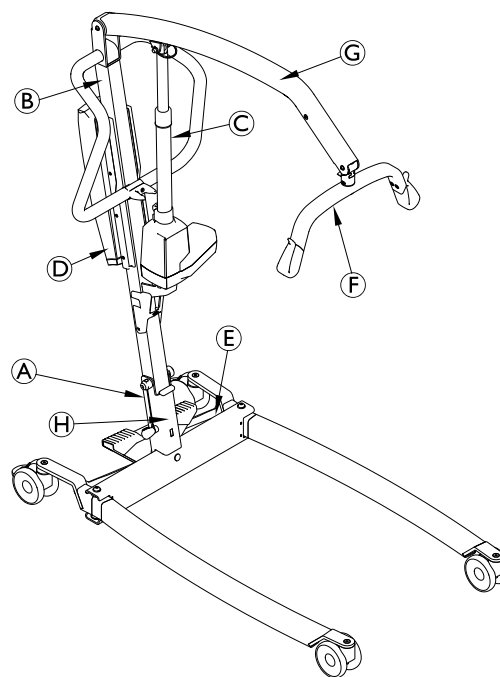
**Risk of malfunction**

Electromagnetic interference may cause improper operation.

- Do not use this product adjacent to or stacked with other electrical equipment. If such use is necessary this product and the other equipment must be closely observed to verify that they are operating normally.

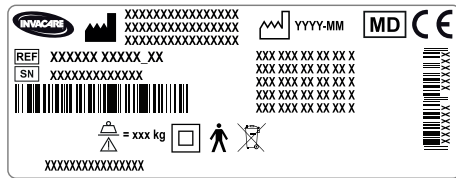
**2.4 Labels and symbols on the product**

**2.4.1 Label location**



Ⓐ	Identification Label
Ⓑ	Read user manual label
Ⓒ	Warning label on actuator
Ⓓ	Warranty void label – on CBJ1 and CBJ2 control unit only
Ⓔ	Environmental conditions and total maximum weight label
Ⓕ	Safe working load of spreader bar
Ⓖ	Name and safe working load of lift – text depending on model
Ⓗ	Safe working load of lift – text depending on model (fixed mast only)

### 2.4.2 Identification label



The identification label contains the main product information, including technical data.

#### Symbols

	Serial number
	Reference number
	Manufacturer
	Date of manufacture
	Max. safe working load
	Class II equipment
	Type B applied part
	WEEE conform
	European Conformity
	Medical device

Abbreviations for technical data:

- lin = Incoming Current
- Uin = Incoming Voltage
- Int. = Intermittence
- AC = Alternating Current
- Max = maximum
- min = minute

For more information about technical data, see *11 Technical Data*, page 29.

### 2.4.3 Other symbols

	Refer to User Manual
	Total weight of the product with the maximum safe working load applied
	Do not use the actuator as a push bar
	Do not remove Warranty void if removed or broken
	Temperature limit
	Humidity limitation
	Atmospheric pressure limitation
	Transport and storage conditions
	Operation conditions

### 3 Product Overview

#### 3.1 Intended use

The mobile patient lift is a battery-powered transfer device and is intended to transfer and position an individual from one resting surface to another. For example:

- Between the bed and a wheelchair
- To and from the toilet
- Lowering and raising patients to/from the floor

The maximum safe working load is stated in *11 Technical Data, page 29*

The mobile patient lift is designed to be used indoors on a level surface, in hospitals, nursing facilities and domestic areas. The mobile patient lift can be turned (rotated) in place for transfers with limited floor space.

A healthcare professional or private person who has received proper training is the intended operator of this product.

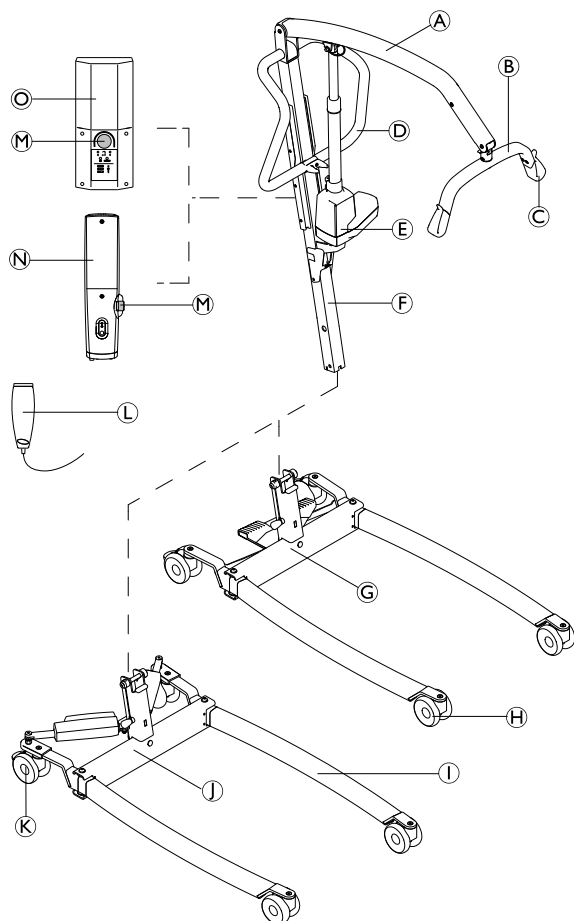
#### Indications

The mobile patient lift is indicated for completely or partially immobile patients, who cannot be transferred with other types of lifts or transfer aids.

All position changes are possible without assistance of the patient.

There are no known contraindications for this product.

#### 3.2 Main parts of the lift



Ⓐ	Boom
Ⓑ	Spreader bar – with or without SMARTLOCK™
Ⓒ	Hook for sling
Ⓓ	Push bar
Ⓔ	Lifting actuator
Ⓕ	Mast – foldable or fixed
Ⓖ	Base with foot pedal for manual leg spreader
Ⓕ	Front Castors
Ⓘ	Leg
Ⓙ	Base with actuators for electrical leg spreader – with or without actuator covers
Ⓚ	Rear castors with brake
Ⓛ	Hand control
Ⓜ	Emergency Stop
Ⓝ	CBJ Home control unit with integrated battery
Ⓞ	CBJ Care, CBJ1 or CBJ2 control unit with detachable battery

#### 3.3 Accessories

**i** Due to regional differences, refer to your local Invacare website or catalog for details about available accessories or contact your Invacare provider.

- 4–point spreader bar (coat hanger style) 450, 500 or 550 mm wide
- 2–point spreader bar (coat hanger style) 350, 450 or 550 mm wide
- Scale to be mounted with the spreader bar
- Lever for manual leg spreader
- Wall charger for a detachable battery
- Extra battery
- Protective shrouds for legs
- Padding for spreader bar

Sling models with loop attachments, suitable for spreader bars (coat hanger style) with hooks:

- Full body support slings - without head support
- Full body support slings - with head support
- Slings for dress/ toileting - with or without head support
- Slings for amputee



## 4 Setup

### 4.1 General safety information


**WARNING!**

- Check all parts for shipping damage before use.
- In case of damage, do not use the equipment. Contact your Invacare provider for further instructions.


**WARNING!**
**Risk of Injury**

- Improper assembly may cause injury or damage.
- Use only Invacare parts in the assembly of this patient lift.
  - After each assembly, check that all fittings are properly tightened and all parts have the correct function
  - Do not overtighten the mounting hardware. This may damage the mounting brackets.

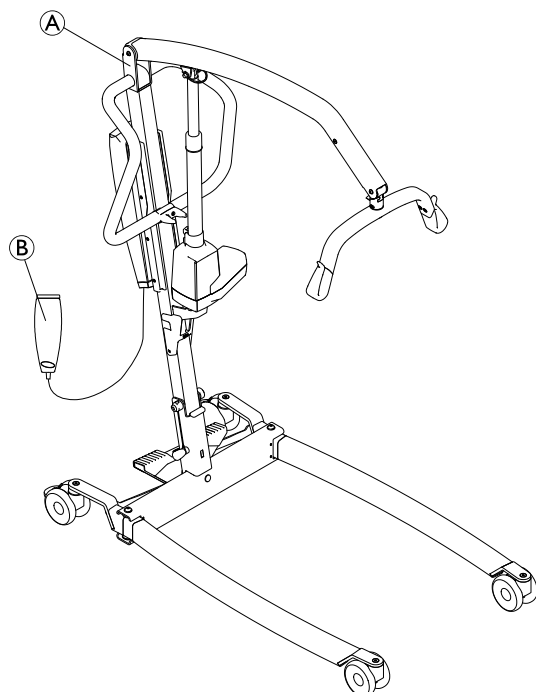


There are no tools required to assemble the patient lift.

If there are any issues or questions during assembly, contact your Invacare provider.

### 4.2 Scope of delivery

The items included in your package depend on the models and configurations available in your country. See *1.1 Introduction, page 4*



A	Lift – incl. base, mast, boom, spreader bar, control unit and actuators <ul style="list-style-type: none"> <li>• with foldable mast (1 piece)</li> <li>• with fixed mast (2 pieces) – base as a separate part</li> </ul>
B	Hand control (1 piece)

	Mains cable (1 piece)
	User Manual (1 piece)
	Battery (1 piece)* – CBJ Care, CBJ1 and CBJ2 only
	Lever for manual leg spreader (1 piece)*
	Sling (1 piece)*

\* Depends on model and/ or configuration



If the lift is delivered with a sling, refer to the user manual of the sling for use, application, maintenance and washing instructions.

### 4.3 Installing the mast

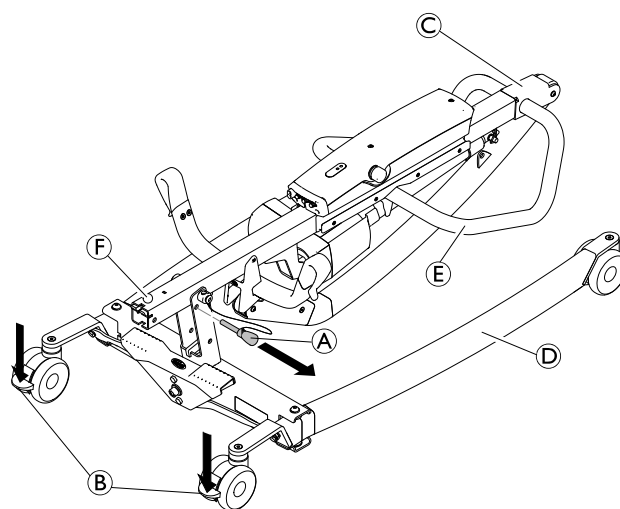
#### 4.3.1 Unfolding the mast

(foldable mast only)

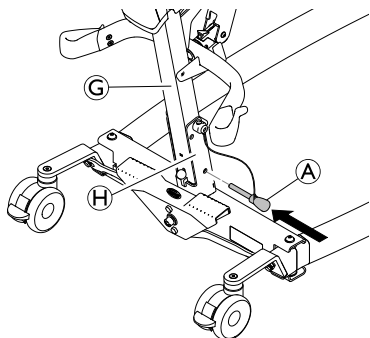

**WARNING!**

- The mast may be folded for storage or transporting. Each time the mast is folded, the mast **MUST** be properly secured to the base assembly.
- Check all parts for visible defects or damage before assembly. In case of any damage, do not use the product and contact your Invacare provider.
- Make sure the emergency stop is activated before assembly or disassembly.
- Take care when lifting components during assembly. Some parts are heavy. Always remember to adopt the correct lifting position.

Perform unpacking and assembly operation at floor level.



1. Lock both rear castors (B). Remove the locking pin (A).
2. Raise the mast assembly (C) to an upright position by stepping with one foot on the leg (D) and pulling the push bar (E) upwards until the safety catch (F) snaps in place.
- 3.



Reinstall the locking pin (A) through the mast (G) and base (H). Ensure that the locking pin is correctly inserted.

### 4.3.2 Assembling the mast to the base

(fixed mast only)



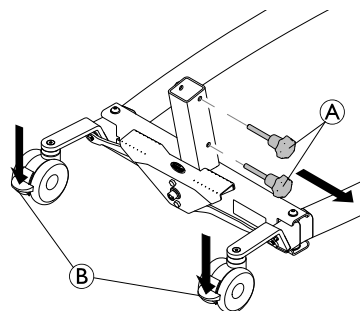
**WARNING!**

**Risk of injury or Damage**

The maximum safe working load stated on the boom and on the base must be the same.

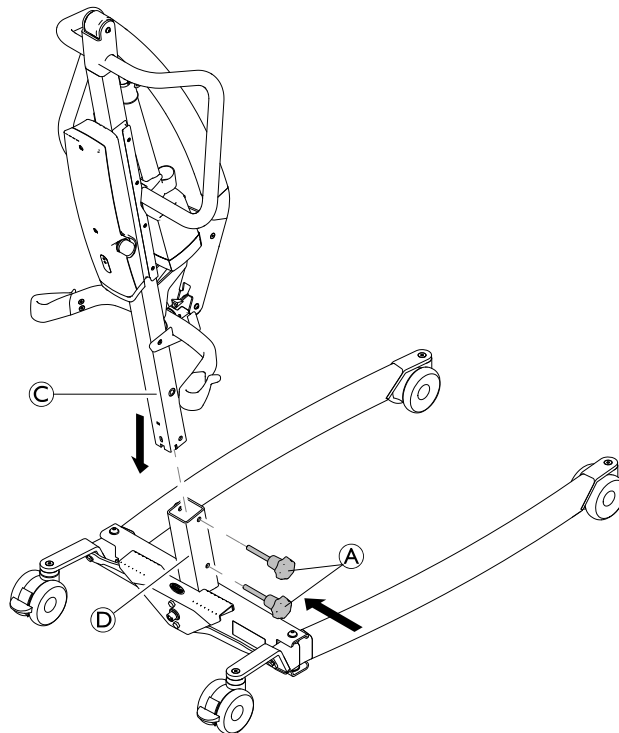
- Always compare the maximum safe working load values stated on the base and on the boom.

- 1.



Lock both rear castors (B) and rotate the hand screws anti-clockwise (A) to remove them from the base

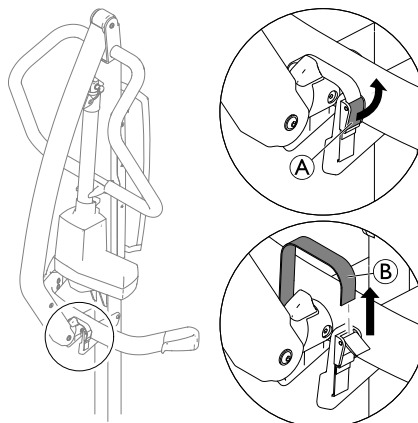
- 2.



With the boom pointing in forward direction, lower the mast (C) into the support of base (D) and reinstall the hand screws (A) to fix the mast (C) to the base.

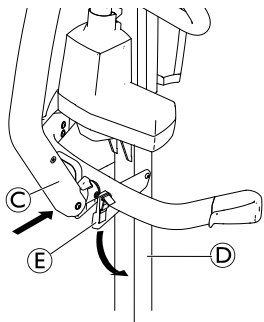
### 4.4 Unfolding the spreader bar

- 1.



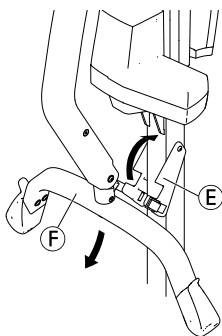
Open the fastener (A) and remove the band (B) from the clamping buckle.

2.



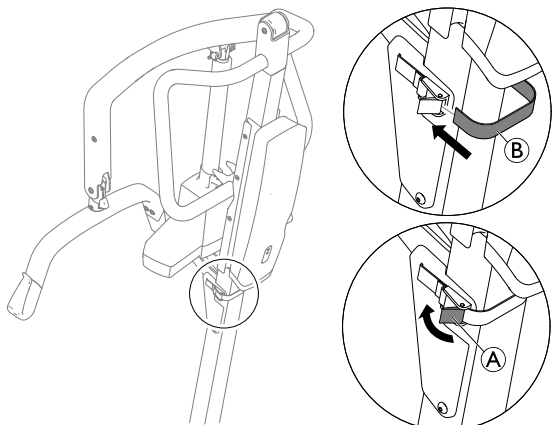
Push and hold the boom **C** towards the mast **D** and fold down the spreader bar holder **E**.

3.



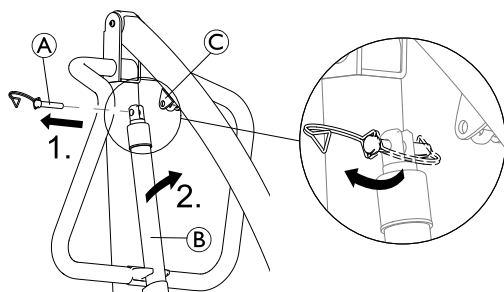
Fold down the spreader bar **F** and fold up the spreader bar holder **E**.

4.

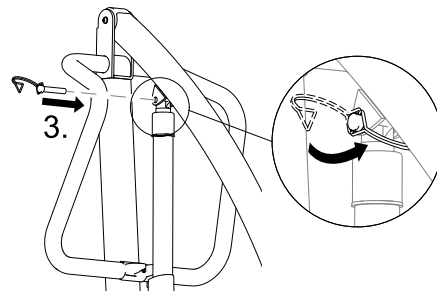


Wrap the band **B** around the back of the mast, insert it into the clamping buckle and close the fastener **A**.

#### 4.5 Installing the actuator to the boom



1. Release the D-clip and remove the pin **A** from actuator **B**.
2. Remove the actuator **B** from the bracket on the mast and fit it to the boom mounting bracket **C**.
- 3.



Align the holes and reinstall the pin **A**. Make sure that the pin is completely inserted and secure it with the D-clip.



#### IMPORTANT

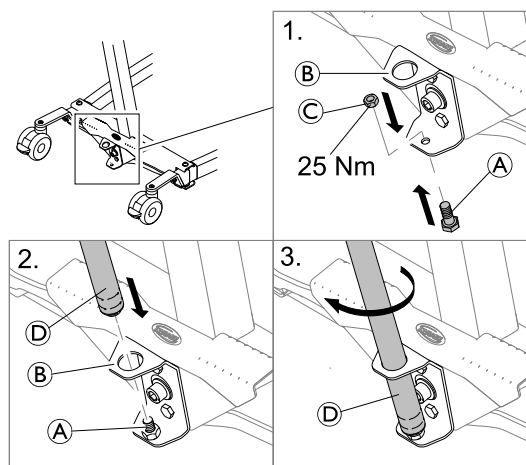
Due to higher loads, Birdie® EVO XPLUS requires a longer pin.

- Only use Birdie® EVO XPLUS with the longer pin, indicated by a black D-Clip.

#### 4.6 Installing the lever for manual leg spreader



2 x 13 mm wrench



1. Insert the bolt **A** from below into the lower hole of the bracket **B** and fix it with the nut **C**.
2. Insert the threaded end of lever **D** into the upper hole of bracket **B** onto the fixed bolt **A**.
3. Turn the lever **D** clockwise to screw it onto the bolt.

#### 4.7 Resetting the service indicator

(CBJ Care control unit only)



#### IMPORTANT!

If the service light is flashing yellow during daily usage or after a reassembly, the lift requires service.

- Contact your Invacare provider for service.

After the initial assembly of the lift, the service indicator needs to be reset before using the lift.

To perform an initial reset of the service indicator:

1. Locate the hand control.
2. Press and hold the UP button and the DOWN button at the same time for five seconds.
3. You will hear a sound when the service indicator has been reset.

## 5 Usage

### 5.1 General safety information



#### WARNING!

##### Risk of injury or damage

Before using the lift with a patient, refer to the following safety information and instructions:

- 2 Safety, page 5
- 6 Patient Transfer, page 18

### 5.2 Locking/Unlocking the rear castors

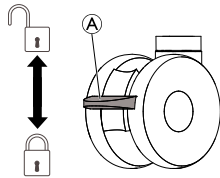


#### WARNING!

##### Risk of Injury or Damage

The lift could tip and endanger the patient and assistants.

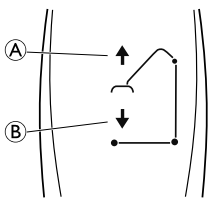
- Invacare recommends that the rear castors be left unlocked during lifting procedures to allow the patient lift to stabilize itself when the patient is initially lifted from a chair, bed or any stationary object.
- Invacare recommends locking the rear castors of the lift only when positioning or removing the sling from around the patient.



- To lock the castor, push down pedal (A) with the foot.
- To unlock the castor, push up pedal (A) with the foot.

### 5.3 Raising/Lowering an Electric Lift

The hand control is used to raise or lower the lift.



1. To raise the lift — Press and hold the UP (A) button to raise the boom and the patient.
2. To lower the lift — Press and hold the DOWN (B) button to lower the boom and the patient.



Release the button to stop raising or lowering the lift.

### 5.4 Closing/Opening Legs



#### WARNING!

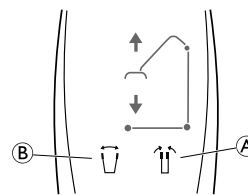
##### Risk of Injury

The lift could tip and endanger the patient and assistants.

- The legs of the lift must be in the maximum open position for optimum stability and safety. If it is necessary to close the legs of the lift to maneuver the lift under a bed, close the legs of the lift only as long as it takes to position the lift over the patient and lift the patient off the surface of the bed. When the legs of the lift are no longer under the bed, return the legs of the lift to the maximum open position.

#### 5.4.1 Closing/Opening Electric Legs

The hand control is used to open or close the legs of the base.

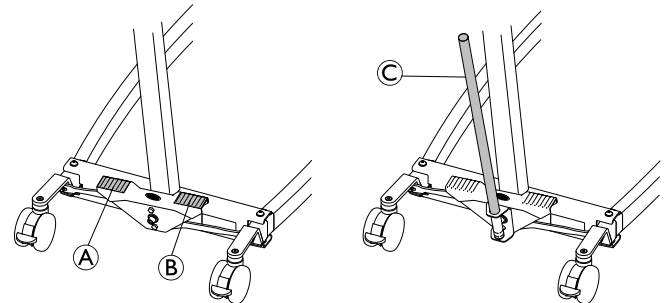


1. To close the legs, press and hold the legs closed button (A).
2. To open the legs, press and hold the legs open button (B).



The legs will stop moving when the button is released.

#### 5.4.2 Closing/Opening legs manually



The manual leg spreader is operated by two pedals (A) and (B) or by the lever (C).

1. To open the legs, press the right pedal (B) with a foot.
2. To close the legs, press the left pedal (A) with a foot.

With the lever:

1. To open the legs, pull the lever (C) to the right.
2. To close the legs, push the lever (C) to the left.

### 5.5 Replacing the spreader bar

(spreader bar with SMARTLOCK™ only)

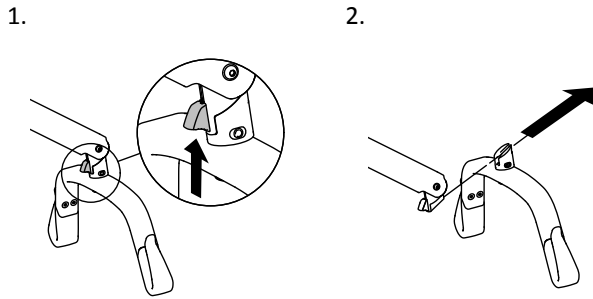


#### WARNING!

##### Risk of injury

- Use only spreader bars made for this lift.
- Make sure the spreader bar is suitable for the patient and the actual lift or transfer required.
- Check that the spreader bar is firmly attached to the boom connector and cannot be removed without pressing the release button.

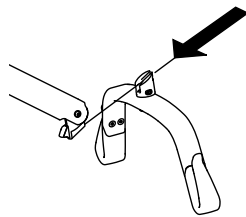
## Removing the spreader bar



1. Push and hold the release button up.
2. Slide the spreader bar out in a forward and slightly upward direction.

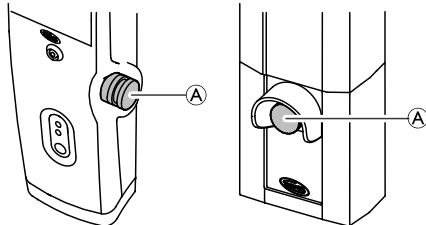
## Attaching a spreader bar

1. Slide the spreader bar in until you hear an audible click.
2. Check that the spreader bar is firmly attached to the boom connector and cannot be removed without pressing the release button.



## 5.6 Emergency functions

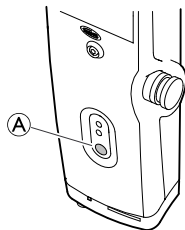
### 5.6.1 Performing an emergency stop



1. Press the red emergency button (A) on the control unit to stop the boom and patient from raising or lowering.
2. To reset, rotate the emergency button clockwise.

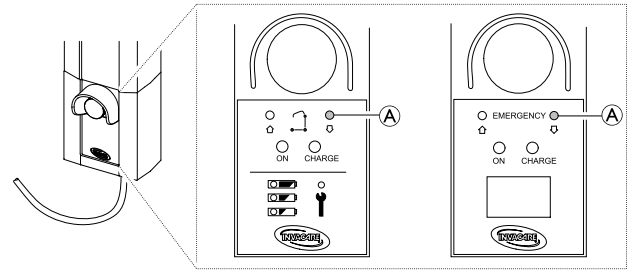
### 5.6.2 Activating an emergency lowering (CBJ Home control unit)

If the hand control fails, the boom can be lowered by using the circular switch for emergency release.



1. Lower the boom by pressing and holding button (A) at the front of the control unit.
2. Stop lowering the boom by releasing the button.

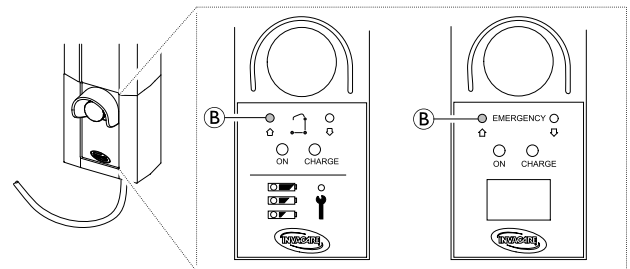
### 5.6.3 Activating an emergency lowering (CBJ Care, CBJ1, CBJ2 control unit)



If the hand control fails, the boom can be lowered by using the circular switch for emergency release. Use a sharp object, such as a pencil to press the button.

1. Lower the boom by pressing and holding button (A) at the front of the control unit.
2. Stop lowering the boom by releasing the button.

### 5.6.4 Activating an emergency lifting (CBJ Care, CBJ1 control unit)



If the hand control fails, the boom can be raised by using the circular switch for emergency lifting. Use a sharp object, such as a pencil to press the button.

1. Raise the boom by pressing and holding button (B) at the front of the control unit.
2. Stop raising the boom by releasing the button.

### 5.6.5 Activating a mechanical emergency lowering

If the emergency lowering on the control unit is not working, a mechanical emergency lowering is available as a back-up. This may happen in case of partial or total power failure, or if the battery runs down during use.



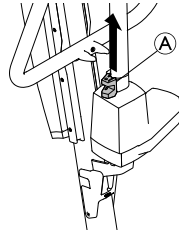
#### WARNING!

#### Risk of Injury or Damage

- Repeated mechanical emergency lowering leads to a high increase of the lowering speed.
- Only use the mechanical emergency lowering as a back-up when the emergency lowering on the control unit is not working.
  - Do not use the mechanical emergency lowering repeatedly in close succession.
  - Always lower the patient onto a supporting surface like a bed or a chair.
  - After a mechanical emergency lowering was required, the lift must be checked to resolve the malfunction of the control unit.

## Birdie® EVO and Birdie® EVO PLUS / XPLUS

1. Locate the red emergency grip **A** at the bottom of the actuator piston.
2. Slowly pull up the red emergency grip **A** and hold it in position when a safe lowering speed is reached.
3. If no lowering occurs with a fully pulled emergency grip **A**, push down on the boom at the same time.



The effective lowering speed is depending on the patient weight. If the speed is too low or too high, it can be adapted to the patient weight.

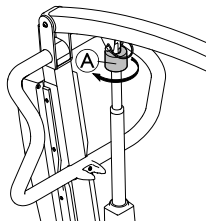
Adjusting the lowering speed:

1. Locate the screw in the bottom hole of the red emergency grip **A**.
2. Turn the screw counter-clockwise to increase the speed.
3. Turn the screw clockwise to decrease the speed.

## Birdie® EVO COMPACT

(optional)

1. Locate the emergency release knob **A** at the top of the actuator piston.
2. Rotate the emergency release knob **A** clockwise.



## 5.7 Charging the battery



### IMPORTANT!

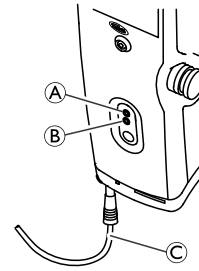
- Make sure the emergency stop is not activated while charging the battery.
- Make sure that charging takes place in a room with good air ventilation.
- Electrical functions are not working when the lift is connected to power supply.
- Do not attempt to use the lift if the battery housing is damaged.
- Replace a damaged battery housing before further use.
- Do not move the lift without unplugging from the power outlet.

It is recommended to charge the battery daily to ensure optimal use of the lift and prolong the life of the battery. Furthermore, it is recommended to charge the battery before first use.

### 5.7.1 CBJ Home control unit

The control unit is equipped with a sound signal. A beep indicates that the battery has low capacity, but lowering the

patient is still possible. It is recommended to charge the batteries as soon as the sound signal is heard.



1. Plug the power cord **C** into a power outlet.



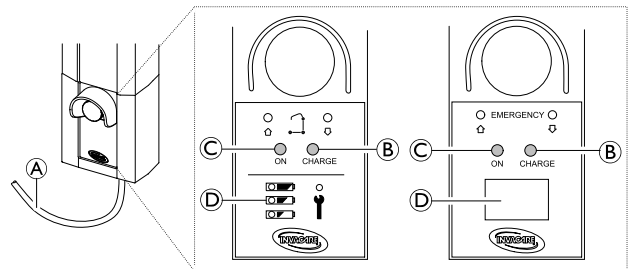
The battery will charge in approximately 4 hours. The charger stops automatically when the batteries are fully charged.

The upper yellow diode **A** will flash during charging, and switch to continuous light when fully charged.

The lower green diode **B** will light continuously while the control unit is connected to the mains, and lights up when any button on the hand control is pressed or when the electric emergency lowering is activated.

2. Disconnect the power cord from the power outlet after the battery has been fully charged.

### 5.7.2 CBJ Care, CBJ1, CBJ2 control unit



The control unit is equipped with a sound signal. A beep indicates that the battery has low capacity, but lowering the patient is still possible. It is recommended to charge the batteries as soon as the sound signal is heard.

1. Plug the power cord **A** into a power outlet.



The battery will charge in approximately 4 hours. The charger stops automatically when the batteries are fully charged.

The right yellow diode **B** will light continuously during charging, and switch off when fully charged.

The left green diode **C** will light continuously while the control unit is connected to the mains.

2. Disconnect the power cord **A** from the power outlet after the battery has been fully charged.

### Battery Indicator

The control unit may be equipped with a battery indicator **D**, indicating the remaining battery capacity.

**CBJ Care**

Battery Indicator Type	Battery State	Description
	Full Charge	The battery is OK — no need for charging (100–50%). The top LED is GREEN.
	Partial Charge	The battery needs to be charged (50–25%). The middle LED is YELLOW.
	Low Charge	The battery needs to be charged (Less than 25%). Acoustic signal when a button is pressed. The bottom LED is YELLOW.
	Low Charge (LED flashing)	The battery needs to be charged. Some of the functionality of the lift is lost and it is only possible to lower the boom.

**CBJ1 and CBJ2 with LCD**

Battery Indicator Type	Battery State	Description
	Full Charge (100%)	The battery is OK — no need for charging (100%).
	Partial Charge (75%)	The battery is OK — no need for charging (75%).
	Partial Charge (50%)	The battery needs to be charged (50%).
	Low Charge (25%)	The battery needs to be charged (25%). Acoustic signal when a button is pressed.
	Low Charge (0%)	The battery needs to be charged. Some of the functionality of the lift is lost and it is only possible to lower the boom.

**5.7.3 Optional hand control**

For CBJ Care a optional hand control with battery indicator is available.

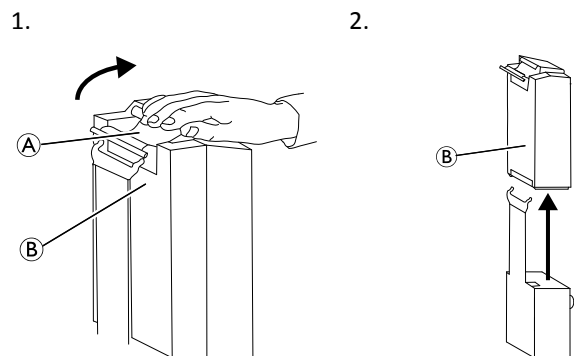
Battery Indicator Type	Battery State	Description
	Full Charge	The battery is OK — no need for charging (100–50%). The right LED is GREEN.
	Partial Charge	The battery needs to be charged (50–25%). The middle LED is YELLOW.
	Low Charge	The battery needs to be charged (Less than 25%). Acoustic signal when a button is pressed. The left LED is YELLOW.
	Low Charge (LED flashing)	The battery needs to be charged. Some of the functionality of the lift is lost and it is only possible to lower the boom.

**5.7.4 Optional battery charger**

(for control units with detachable battery only)

The procedure of removing or installing the battery is the same for the control unit and the charger.

**Removing the battery**



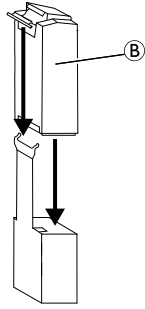
1. Lift up on the handle **A** on the back of the battery **B**.
2. Lift the battery up and out away from the control unit or charger .

**Installing the battery**

**CAUTION!** Installing the battery improperly may cause injury or damage.  
 – Make sure there is an audible click when installing the battery on the control unit or charger to confirm proper installation.



1. Place the battery **B** on the control unit or charger as shown and make sure there is an audible click.



**i** When the battery is placed on the charger, the charge LED will illuminate. When charging is complete, charge LED will switch off.

A battery needing to be fully recharged will take approximately four hours.

## 6 Patient Transfer

### 6.1 General safety information



**WARNING!**

**Risk of Injury or Damage**

Improper use of this product may cause injury or damage.

- Before transferring to a stationary object (wheelchair, bed, commode or other surface) check that the weight capacity can withstand the patient's weight.
- If applicable the wheel or castor locks of the stationary object (wheelchair, bed etc.) must be in a locked position before lowering the patient onto or lifting the patient off.



**WARNING!**

**Risk of Injury or Damage**

Improper use of this product may cause injury or damage.

- Use the push bars on the mast at all times to push or pull the lift.
- Avoid using the lift on an incline. Invacare recommends that the product only be used on a flat surface.
- During transfer, with the patient suspended in a sling attached to the lift, DO NOT roll lift over uneven surfaces that could cause the lift to tip over.



**WARNING!**

**Risk of Injury or Damage**

Damage to parts of the lift (hand control, castors, etc.) caused by impact with the floor, walls or other stationary objects may cause damage to the product and lead to injury.

- DO NOT allow parts of the lift to impact the floor, walls or other stationary objects.
- ALWAYS store the hand control properly when not in use.



**WARNING!**

**Risk of Injury**

The spreader bar can move suddenly and cause injury.

- When positioning lift, be aware of the position of the spreader bar and the patient.



**WARNING!**

**Risk of Entrapment or Strangulation**

The hand control cord can cause injury if improperly positioned and secured.

- ALWAYS be aware of the location of the hand control cord in relation to the patient and caregivers.
- DO NOT allow the hand control cord to become entangled around the patient and caregivers.
- The hand control must be secured properly. ALWAYS store the hand control properly when not in use.



**WARNING!**

**Risk of Entrapment or Strangulation**

Items in the patient's surroundings can cause entrapment strangulation during lifting. To avoid entrapment or strangulation:

- Before lifting, check that the patient is completely free of his/her surroundings.



**WARNING!**

**Risk of Entrapment**

There is a risk of entrapment between the spreader bar hooks and the sling.

- Use caution when lifting.
- NEVER put hands or fingers on or near the hooks when lifting.
- Ensure the patient's hands and fingers are away from the hooks before lifting.



**IMPORTANT!**

All transfer procedures described in the following can be performed by one (1) assistant. However, Invacare recommends that the procedures are performed by two (2) assistants whenever possible.

### 6.2 Preparing to lift



**WARNING!**

**Risk of Injury**

During transfers and lift operation, the boom can impact the patient or caregivers and cause injury.

- ALWAYS be aware of the position of the boom during transfers.
- Ensure the boom is positioned in a way that it cannot impact the patient or bystanders.
- ALWAYS be aware of your body position in relation to the boom during transfers.

1. Before proceeding, review the information and observe all warnings indicated in *2 Safety, page 5* and *Lifting the Patient*.
2. Position the patient onto the sling. Refer to your sling user manual.
3. Unlock the rear castors. See *5 Usage, page 13*.
4. Open the legs of the lift. See *5 Usage, page 13*.
5. Use the push bars to move the patient lift into position.



**WARNING!**

– When using the lift in conjunction with beds or wheelchairs, be aware of the position of the lift in relationship to those other devices so that the lift does not become entangled.

- Before positioning the legs of the patient lift under a bed, make sure that the area is clear of any obstructions.

6. Lower the patient lift for easy attachment of the sling.
7. Lock the rear castors. See *5 Usage, page 13*
8. Attach the sling. See *6.2.1 Attaching the sling to the lift, page 19*

### 6.2.1 Attaching the sling to the lift



**WARNING!**  
**Risk of Injury**

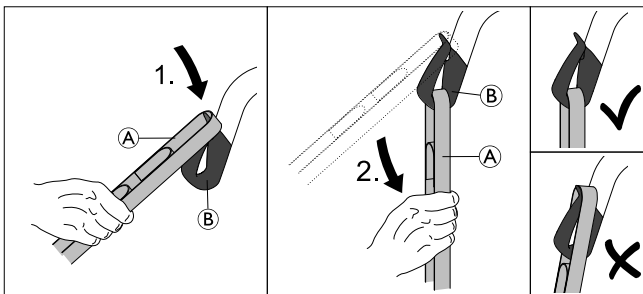
- Usage of wrong or damaged slings can cause the patient to fall or cause injury to assistants.
- Use an Invacare approved sling that is recommended by the individual's doctor, nurse or medical assistant for the comfort and safety of the individual being lifted.
  - Invacare slings and patient lift accessories are specifically designed to be used in conjunction with Invacare patient lifts.
  - After each laundering (in accordance with instructions on the sling), inspect sling(s) for wear, tear, and loose stitching.
  - Bleached, torn, cut, frayed, or damaged slings are unsafe and could result in injury. Discard immediately.
  - DO NOT alter slings.



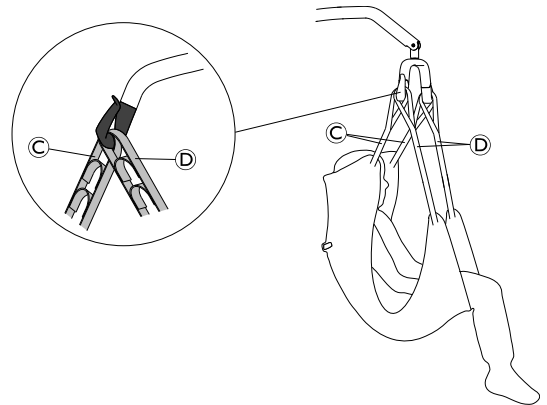
**WARNING!**  
**Risk of Injury**

- Improperly attached or adjusted slings can cause the patient to fall or cause injury to assistants.
- Be sure to check the sling attachments each time the sling is removed and replaced, to ensure that it is properly attached before the patient is removed from a stationary object (bed, chair or commode).
  - The spreader bar **MUST** be attached to the lift **BEFORE** attaching the sling.
  - DO NOT use any kind of plastic back incontinence pad or seating cushion between patient and sling material that may cause the patient to slide out of the sling during transfer.
  - Make sure that there is sufficient head support when lifting a patient.
  - Position the patient in the sling as directed by the instructions provided with the sling.
  - Adjustments for patient safety and comfort should be made before moving the patient.

The straps of the sling may be equipped with color coded loops providing different lengths to place the patient into different positions. Shorter straps at the shoulders will produce a more vertical lift, which will assist with positioning into a chair or wheelchair. By lengthening the straps at the shoulders, a more reclined position can be achieved which is more suitable for a chair to bed transfer. Always match the loop colors of the corresponding straps on each side of the sling for an even lift of the patient.

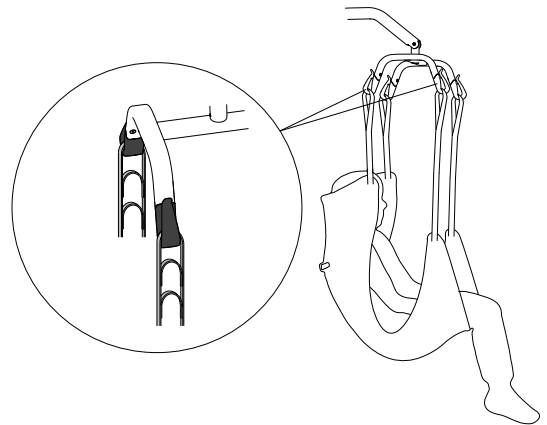


1. Place the desired loop of strap (A) over the nose of hook (B).
2. Pull down the strap (A) until the loop is fully seated at the bottom of hook (B).
3. Repeat the steps for each of the remaining straps of the sling.



On a 2-point spreader bar, attach the shoulder strap (C) before the leg strap (D) on each of the hooks.

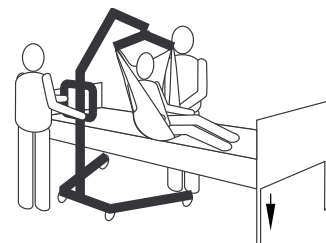
b.



On a 4-point spreader bar, attach each of the straps to an individual hook.

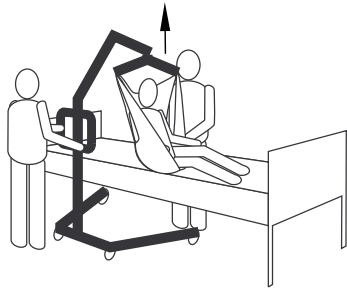
### 6.3 Transferring a patient from a bed

1. Prepare to lift. See 6.2 Preparing to lift, page 18.
2. Attach the sling to the lift. See 6.2.1 Attaching the sling to the lift, page 19.
3. Unlock the rear castors.
- 4.



Lower the bed to the lowest position.

5.



Lift the patient high enough to clear the stationary object with their weight fully supported by the lift.

**i** The boom will stay in position until the DOWN button is pressed.

6.



Before moving the patient, check again to make sure that the sling is properly attached to the hooks of the spreader bar. See 6.2.1 *Attaching the sling to the lift, page 19* . If any attachments are not properly in place, lower the patient back onto the stationary object and correct the problem.

7.



Using the push bars, move the lift away from the stationary object.

8.



Using the handles on the sling, turn the patient so that he/she faces the assistant operating the patient lift.

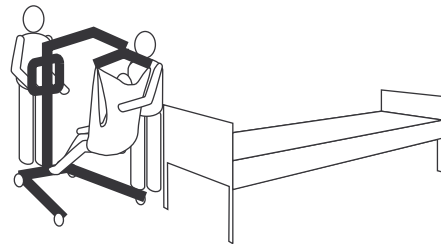
9.



Lower the patient so that his/her feet rest on the base of the lift, straddling the mast.

**i** The lower center of gravity provides stability making the patient feel more secure and the lift easier to move.

10.



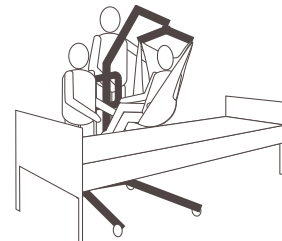
Move the patient lift with both hands firmly on the push bars.

11. Proceed with the transfer to another resting surface or stationary object.

## 6.4 Transferring a patient to a bed

1. Perform the following steps in addition to those required to lift the patient of another resting surface or stationary object

2.



Raise or lower the lift to position the patient over the stationary surface. Be sure to raise or lower the patient enough to clear the sides of the stationary object.

3.



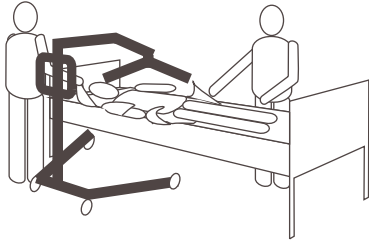
Lower the patient onto the stationary surface.

4. Ensure the patient is fully supported by the surface to which you are transferring.

5. Lock the rear castors.

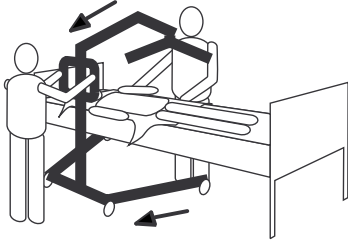
6. Raise the bed to a good working height (usually hip height of caregivers).

7.



Detach the sling from the spreader bar.

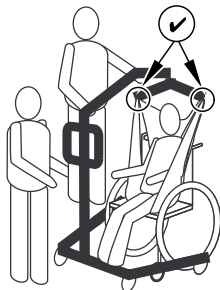
8. Unlock the rear castors.
- 9.



Move the lift away from the area.

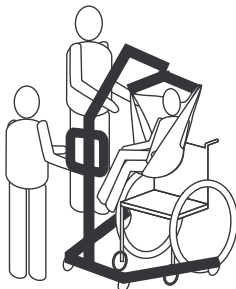
### 6.5 Transferring a patient from a wheelchair

1. Engage the parking brakes of the wheelchair to prevent movement of the wheelchair.
2. Prepare to lift. See 6.2 *Preparing to lift*, page 18.
3. Ensure the wheelchair is placed between the opened legs of the lift with the patient facing the mast.
4. Attach the sling to the lift. See 6.2.1 *Attaching the sling to the lift*, page 19.
5. Unlock the rear castors.
- 6.



Raise the boom until there is tension on the straps of the sling and make sure that the sling is properly attached to the hooks of the spreader bar. See 6.2.1 *Attaching the sling to the lift*, page 19 . If any attachments are not properly in place, lower the patient back onto the wheelchair and correct the problem.

7.



Lift the patient high enough to clear the wheelchair surface with their weight fully supported by the lift.

8. Using the push bars, move the lift away from the wheelchair.
9. Proceed with the transfer to another resting surface or stationary object.

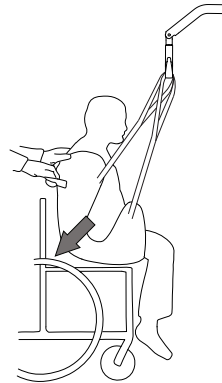
### 6.6 Transferring a patient to a wheelchair



**WARNING!**  
**Risk of Injury**

- Before transferring, check that the wheelchair weight capacity can withstand the patient’s weight.
- The wheelchair wheel locks **MUST** be in a locked position before lowering the patient into the wheelchair for transport.

1. Perform the following steps in addition to those required to lift the patient of another resting surface or stationary object
2. Engage the parking brakes of the wheelchair to prevent movement of the wheelchair.
3. Position the patient over the seat with their back against the back of the chair.
- 4.



Begin to lower the patient and use the grab handle (on selected models) or sides of the sling to guide the patient’s hips as far back as possible into the seat for proper positioning. This will maintain a good center of balance and prevent the chair from tipping forward.

### 6.7 Transferring a patient to and from a commode



The Invacare patient lift is NOT intended as a transport device. If the bathroom facilities are NOT near the bed or if the patient lift cannot be easily maneuvered towards the commode, then the patient MUST be transferred to a wheelchair and transported to the bathroom facilities before using the patient lift again to position the patient on a standard commode.

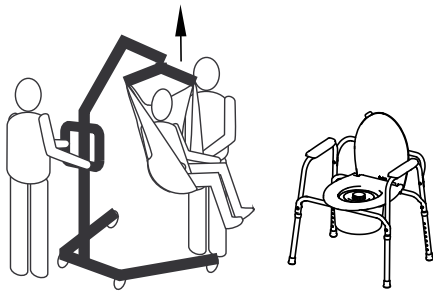


The slings with commode openings are designed to be used with either a commode chair or standard commode.



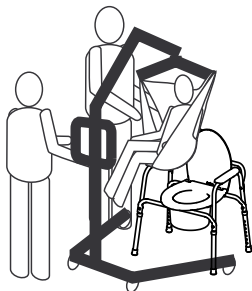
Before transferring the patient, the patient lift should be guided to the bathroom facilities to check that it can be easily maneuvered towards the commode.

1. Perform the following steps in addition to those required to lift the patient of another resting surface or stationary object
- 2.



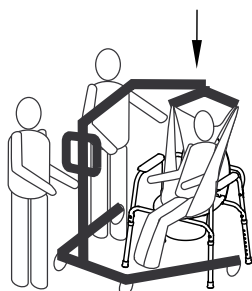
Elevate the patient high enough to clear the commode chair arms and have their weight supported by the patient lift. See 5 Usage, page 13

3.



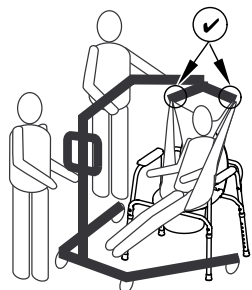
Position the lift so the legs are outside of the commode legs and the push bars of the lift are opposite of the commode and guide the patient over the commode.

4.



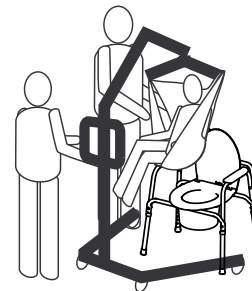
Lower the patient onto the commode, leaving the sling attached to the spreader bar hooks. Invacare recommends that the sling remains connected to the spreader bar hooks during the patient's use of either the commode chair or standard commode.

5.



When complete, recheck for correct sling attachment.

6. Raise the patient off of the commode.
- 7.



When the patient is clear of the commode surface, use the push bars to move the lift away from the commode.

8. Proceed with the transfer to another resting surface or stationary object.

## 6.8 Lifting a patient from the floor

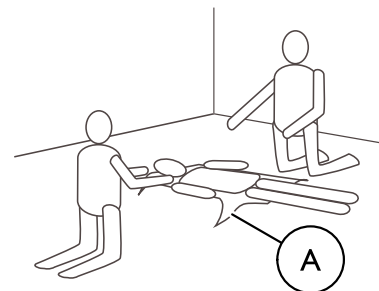


### WARNING! Risk of Injury

The lift can injure a patient who is on the floor or an assistant working on the floor.

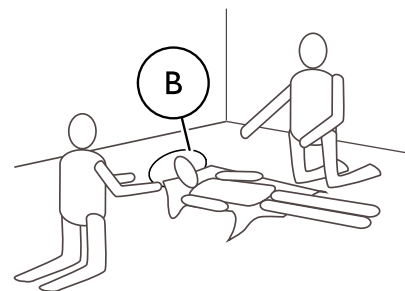
- Always take care when moving parts of the lift close to a person on the floor.

1. Determine if the patient has suffered any injuries from a fall. If no medical attention is needed, proceed with the transfer.
- 2.



Position the sling **A** under the patient. Refer to the sling user manual for more information about positioning slings.

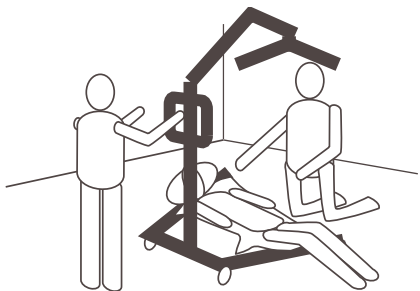
3.



Have the patient bend his/her knees and raise his/her head off of the floor supporting the patient's head with a pillow **B**.

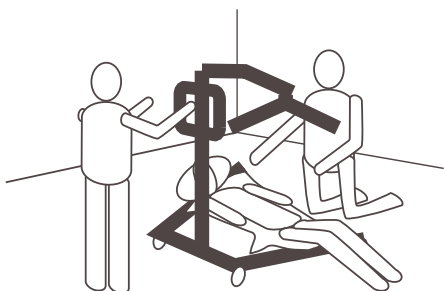
4. Unlock the rear castors. See 5 Usage, page 13
5. Open the legs of the lift. See 5 Usage, page 13

6.



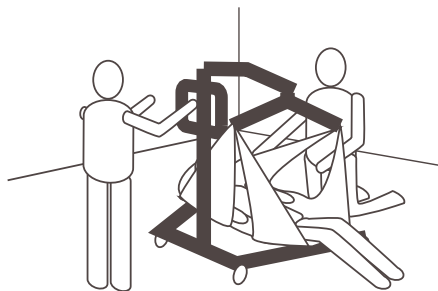
Position the lift with one leg under the patient's bent knees and the other leg under the patient's head. Keep the sling straps inside of the legs of the lift.

7.



Lower the boom so the spreader bar is directly over the patient's chest.

8.



Attach the sling. See 6.2.1 *Attaching the sling to the lift*, page 19.

9. Raise the boom to lift the patient off the floor.
10. Proceed with the transfer to another resting surface or stationary object.

## 7 Transportation and Storage

### 7.1 General information

During transportation, or when the patient lift is not to be used for some time, the emergency stop button should be pushed in.

A folded or disassembled lift can be located in the packaging box, for transportation and storage.

Folded lifts can be pulled on the rear wheels and lifts with a manual leg spreader can be parked in an upright position with the mast/boom assembly pointing upwards.

The patient lift must be stored at normal room temperature. If it is stored in a damp, cold or wet environment then the motor and other mounting parts may be prone to corrosion. See 11.4 *Environmental conditions*, page 31.

### 7.2 Disassembling the mast from the base

(fixed mast only)

1. Remove optional leg spreader lever if attached.
2. Lower the boom and narrow both legs completely.
3. Activate the emergency stop button and apply castor brakes.
4. Reverse the procedure described in 4.5 *Installing the actuator to the boom*, page 11
5. Reverse the procedure described in 4.4 *Unfolding the spreader bar*, page 10
6. Reverse the procedure described in 4.3.2 *Assembling the mast to the base*, page 10

### 7.3 Folding the mast

(foldable mast only)

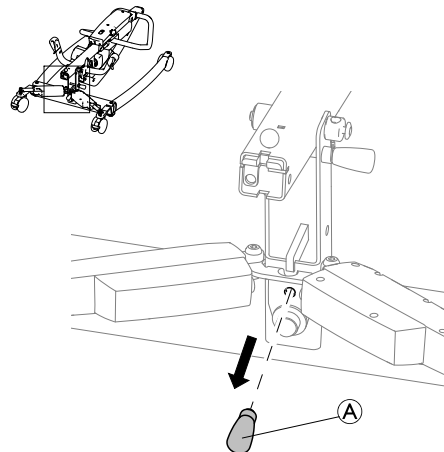
1. Remove optional leg spreader lever if attached.
2. Lower the boom and narrow both legs completely.
3. Activate the emergency stop button and apply castor brakes.
4. Reverse the procedure described in 4.5 *Installing the actuator to the boom*, page 11
5. Reverse the procedure described in 4.4 *Unfolding the spreader bar*, page 10
6. Reverse the procedure described in 4.3.1 *Unfolding the mast*, page 9 and pull and hold the safety catch ⑥ upwards before folding down the mast.

### 7.4 Mast extension for upright positioning

(Birdie EVO only)

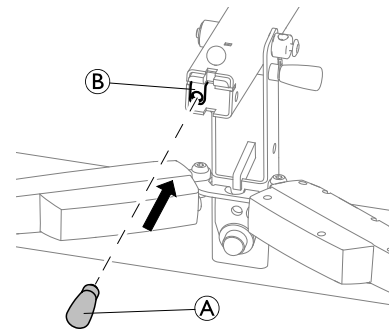
A magnetic mast extension is provided to allow upright positioning if the lift is equipped with an electrical leg spreader.

1.



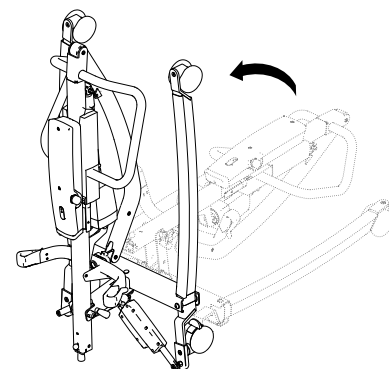
Remove the mast extension ① from its storage location on the base of the lift.

2.



Insert the mast extension ① into the holder ② on the bottom of the folded mast.

3.



The folded lift can now be placed in an upright position.



## 8 Maintenance

### 8.1 General maintenance information


**CAUTION!**
**Risk of injury or damage**

- Do not perform any maintenance or service procedures while the product is in use.

Follow the maintenance procedures described in this manual to keep your product in continuous service.

Further maintenance and inspection procedures, to be performed by a qualified technician, are described in the service manual of this product. Service manuals can be obtained from Invacare.

### 8.2 Daily inspections


**WARNING!**
**Risk of injury or damage**

- Damaged or worn parts can affect the safety of the lift.
- The patient lift should be checked each time it is used.
  - Do not use the lift if damage is found or you question the safety of any part of the lift. Contact your Invacare provider immediately and ensure the lift is not used until repairs are made.

#### Daily Inspection Checklist

- Visually inspect the patient lift. Check all parts for external damage or wear.
- Check all hardware, attachment points and stressed parts, such as slings, hooks and any pivot points for signs of wear, cracking, fraying, deformation or deterioration.
- Verify that the hand control is functional (lifting and leg movements).
- Charge the battery every day the lift is used.
- Check the emergency stop function.
- Check the service light (CBJ Care control unit only).



The service light is indicated by a wrench symbol on the control unit and if applicable on the hand control.

- If the service light is flashing yellow the lift requires service. Do not use the lift and contact your Invacare provider for service.
- If the service light is not flashing the lift is ready for use.

### 8.3 Cleaning and Disinfection

#### 8.3.1 General safety information


**CAUTION!**
**Risk of contamination**

- Take precautions for yourself and use appropriate protective equipment.


**CAUTION!**
**Risk of electric shock and product damage**

- Switch off the device and disconnect from mains, if applicable.
- When cleaning electronic components consider their protection class regarding water ingress.
- Make sure that no water splashes to the plug or the wall outlet.
- Do not touch the power socket with wet hands.


**IMPORTANT!**

Wrong fluids or methods can harm or damage the product.

- All cleaning agents and disinfectants used must be effective, compatible with one another and must protect the materials they are used to clean.
- Never use corrosive fluids (alkalines, acid etc.) or abrasive cleaning agents. We recommend an ordinary household cleaning agent such as dishwashing liquid, if not specified otherwise in the cleaning instructions.
- Never use a solvent (cellulose thinner, acetone etc.) that changes the structure of the plastic or dissolves the attached labels.
- Always make sure that the product is completely dried before taking into use again.



For cleaning and disinfection in clinical or long-term care environments, follow your in-house procedures.

#### 8.3.2 Cleaning Intervals


**IMPORTANT!**

- Regular cleaning and disinfection enhances smooth operation, increases the service life and prevents contamination. Clean and disinfect the product
- regularly while it is in use,
  - before and after any service procedure,
  - when it has been in contact with any body fluids,
  - before using it for a new user.

#### 8.3.3 Cleaning instructions


**IMPORTANT!**

- The product does not tolerate cleaning in automatic washing systems, with high-pressure cleaning equipment or steam.

#### Cleaning the lift

Method: Wipe off with a wet cloth or soft brush.

Max. temperature: 40 °C


Solvent/chemicals: Ordinary household cleaning agent and water.

Drying: Wipe dry with a soft cloth.

#### Cleaning the sling

Refer to the washing instructions on the sling and to the sling manual for cleaning details.

### 8.3.4 Disinfection Instructions

 Information on recommended disinfectants and methods can be found on <https://vah-online.de/en/for-users>.

#### In Domestic Care

Method: Follow the application notes for the used disinfectant and wipe-disinfect all accessible surfaces.

Disinfectant: Ordinary household disinfectant.

Drying: Allow the product to air-dry.

#### In Clinical and Long Term Care

Follow your in-house disinfection procedures and only use the disinfectants and methods specified therein.

## 8.4 Service interval



### **WARNING!**

#### **Risk of injury or damage**

Service must be performed only by a qualified technician.

– Contact your Invacare provider for service.

Service must be performed at least every 12 months unless otherwise stated in local requirements.

### 8.4.1 LOLER Statement

The UK Health and Safety Executive's Lifting Operations and Lifting Equipment Regulations 1998, require any equipment that is used in the workplace to lift a load be subject to safety inspection on a six monthly basis. Please refer to the HSE web site for guidance [www.hse.gov.uk](http://www.hse.gov.uk).

The person responsible for the equipment must ensure adherence to LOLER regulations.

---

## 9 After Use

---

### 9.1 Disposal

**WARNING!****Environmental Hazard**

Device contains batteries.

This product may contain substances that could be harmful to the environment if disposed of in places (landfills) that are not appropriate according to legislation.

- DO NOT dispose of batteries in normal household waste.
- Batteries **MUST** be taken to a proper disposal site. The return is required by law and free of charge.
- Do only dispose discharged batteries.
- Cover terminals of lithium batteries prior to disposal.
- For information on the battery type see battery label or chapter *11 Technical Data, page 29*.

Be environmentally responsible and recycle this product through your recycling facility at its end of life.

Disassemble the product and its components, so the different materials can be separated and recycled individually.

The disposal and recycling of used products and packaging must comply with the laws and regulations for waste handling in each country. Contact your local waste management company for information.

### 9.2 Reconditioning

This product is suitable for reuse. To recondition the product for a new user, carry out the following actions:


- Cleaning and disinfection
- Inspection according to service plan

For detailed information about inspection, cleaning and disinfection, consult the user manual and service manual for this product.

## 10 Troubleshooting

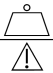
### 10.1 Identifying faults and possible solutions

Symptoms	Faults	Solution
Patient lift feels loose.	Mast/ Base joint loose.	Refer to Installing the Mast in the Setup section.
	Tie - Rods are loose.	Contact your Invacare provider.
Castors/ Brakes noisy or stiff.	Fluff or debris in bearings.	Clean castors from fluff and debris.
Noisy or dry sound from pivots.	Pivots are worn or damaged	Contact your Invacare provider.
Electric actuator fails to lift or legs fail to open when button is pressed.	Hand control or actuator connector loose.	Connect hand control or actuator connector. Ensure connectors are seated properly and fully connected.
	Battery low.	Charge the battery. See <i>5.7 Charging the battery, page 15</i>
	Emergency stop button is pressed in.	Rotate the emergency stop button clockwise until it pops out.
	Battery not connected properly to control unit.	Reconnect the battery to the control unit. See <i>5.7.4 Optional battery charger, page 16</i>
	The connecting terminals are damaged.	Contact your Invacare provider.
	Power cord connected to power outlet.	Disconnect power cord from power outlet.
	Boom or leg actuator is damaged	Contact your Invacare provider.
	Max. load is exceeded	Reduce the load.
Unusual noise from actuator.	Actuator is damaged	Contact your Invacare provider.
Boom will not lower in uppermost position.	Boom requires a minimum weight load to lower from the uppermost position.	Pull down slightly on the boom.
The control unit emits a beeping sound during lifting, and the motor stops.	Max. load is exceeded	Reduce the load (and the lift will function normally).

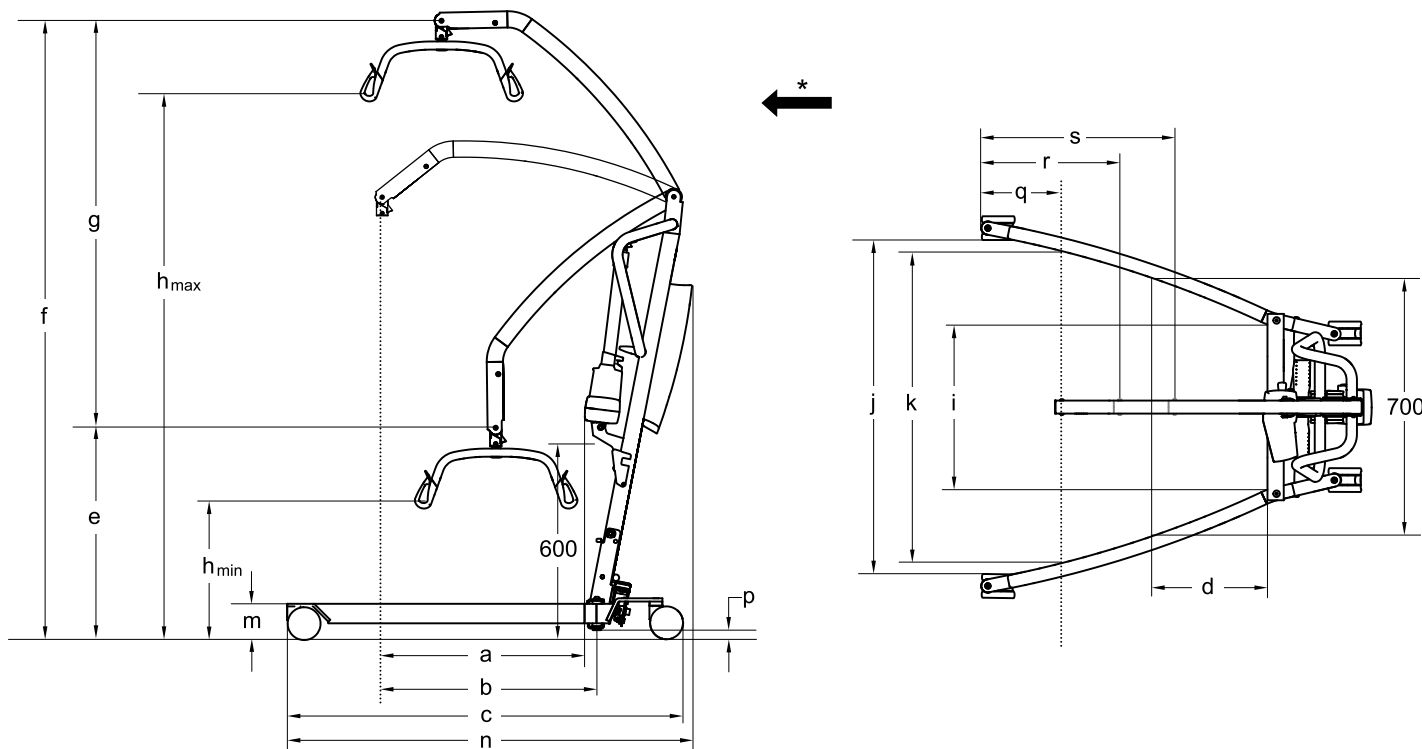
 Contact your Invacare provider if the above does not solve your problems.

# 11 Technical Data

## 11.1 Maximum safe working load

	<b>Birdie® EVO</b>	<b>Birdie® EVO COMPACT</b>	<b>Birdie® EVO PLUS</b>	<b>Birdie® EVO XPLUS</b>
Max. Safe Working Load (patient + spreader bar + sling)	180 kg	150 kg	180 kg	210 kg

## 11.2 Dimensions and weights



\* Forward direction

Dimensions [mm]	Birdie® EVO		Birdie® EVO COMPACT		Birdie® EVO PLUS / XPLUS
Front / rear castor diameter	75 / 75	100 / 100	75 / 75	100 / 100	100 / 125
Max. reach at 600 mm (a)	630	630	530	530	630
Max. reach from base (b)	630	630	530	530	630
Base length (c)	1200	1220	1060	1080	1280
Total length (n)	1250	1250	1100	1100	1280
Reach from base with legs spread to 700 mm (d)	225	225	420	420	225
CSP* min. height / lowest position (e)	630	645	730	745	645
CSP* max. height (f)	1870	1885	1805	1820	1885
Lifting range (g)	1240	1240	1060	1060	1240
Min. height at Sling Hook-up (h <sub>min</sub> )	400	415	515	530	415
Max. height at Sling Hook-up (h <sub>max</sub> )	1645	1660	1575	1590	1660
Total width (legs open) centre to centre of castor	1100	1100	890	890	1100
Total width (legs open) internal measure (j)	1040	1020	835	815	1020
Total width (legs closed), external measure	640	640	520	520	640

Dimensions [mm]	Birdie® EVO		Birdie® EVO COMPACT		Birdie® EVO PLUS / XPLUS
Min. internal width (i)	495	495	380	380	495
Internal width at maximum reach (k)	960	960	765	765	960
Turning diameter	1400	1400	1070	1070	1430
Height to upper edge of legs (m)	100	115	100	115	115
Min. free height (p)	20	35	20	35	35
Minimum distance from wall to CSP* at maximum reach (legs open) (q)	245	245	210	210	245
Minimum distance from wall to CSP* at maximum height (legs open) (r)	410	410	450	450	410
Minimum distance from wall to CSP* at minimum height (legs open) (s)	615	615	395	395	615
Height when folded (foldable version only)	455	470	455	470	470
Length when folded (foldable version only)	1300	1320	1190	1210	1360

\* CSP = Central Suspension Point



All measures are taken with a 450 mm 2-point spreader bar.

Weights Main Parts [kg]			
	Birdie® EVO	Birdie® EVO COMPACT	Birdie® EVO PLUS / XPLUS
Total weight excl. spreader bar	40	31	41
Weight, mast, incl. battery, excl. spreader bar	19	14	19
Weight manual leg section	21	17	n/a
Weight electrical leg section	21	n/a	22

Weights Spreader Bars [kg]	
Spreader bar, 2-point, 350 mm	1.3
Spreader bar, 2-point, 450 mm	1.4
Spreader bar, 2-point, 550 mm	1.6
Spreader bar, 4-point, 450 mm	2.8
Spreader bar, 4-point, 500 mm	2.9
Spreader bar, 4-point, 550 mm	3.0

### 11.3 Electrical system


	Birdie® EVO	Birdie® EVO COMPACT	Birdie® EVO PLUS / XPLUS
Voltage output	24 V DC, max. 250 VA		
Voltage supply	100 – 240 V AC, 50/60 Hz		
Maximum current input	400 mA (for CBJ1, CBJ2 and CBJ Care) / 280 mA (for CBJ Home)	400 mA (for CBJ2) / 280 mA (for CBJ Home)	400 mA (CBJ1 and CBJ Care)
Protection class (entire device)	IPX4*		
Insulation class	Class II equipment		
Type B Applied Part	Applied part complying with the specified requirements for protection against electrical shock according to IEC60601-1.		
Sound level	45 – 50 dB(A)		

	Birdie® EVO	Birdie® EVO COMPACT	Birdie® EVO PLUS / XPLUS
Working ability	40 full lifts (with battery between 100% – 50% of full capacity)		
Intermittent (periodic motor operation)	10%, max. 2 min/18 min		
Battery specifications	2 x 12 V / 2.9 Ah		
Battery type	Lead acid (service free, sealed)		
Manual emergency lowering	Yes (at bottom of actuator)	Optional (at top of actuator)	Yes (at bottom of actuator)
Electric emergency lowering / lifting	Yes / Yes (for CBJ1 and CBJ Care) Yes / No (for CBJ2 and CBJ Home)	Yes / No (for CBJ2 and CBJ Home)	Yes / Yes (CBJ1 and CBJ Care)

\*IPx4 - The system is protected against water splashed from any direction.

### 11.4 Environmental conditions

	Storage and transportation	Operation
Temperature	-10 °C to +50 °C	+5 °C to +40 °C
Relative humidity	20% to 90% at 30 °C, not condensing	
Atmospheric pressure	800 hPa to 1060 hPa	

-  Allow the product to reach operation temperature before usage:
- Warming up from minimum storage temperature might take more than 30 minutes.
  - Cooling down from maximum storage temperature might take more than 5 minutes.

### 11.5 Materials

Component	Material
Base, legs, mast and boom	Steel, powder-coated
Spreader bar	Steel, powder-coated and TPU

Component	Material
Actuator housing, hand control, mast protector, castors and other plastic parts	Material according to marking (PA, PP, PE)
Boom connector, bolts and nuts	Steel, zinc-plated

All components of the product are either corrosion resistant or corrosion protected.

### 11.6 Operating forces of controls

Control	Operating force
Buttons on control unit	4 N
Buttons on hand control	4 N
Foot pedal with 100 mm castors*	290 N
Leg spreader lever with 100 mm castors	45 N
Leg spreader lever with 75 mm castors	50 N

\* If equipped with 75 mm castors, a leg spreader lever is mandatory.

## 12 Electromagnetic compatibility (EMC)

### 12.1 General EMC information

Medical Electrical Equipment needs to be installed and used according to the EMC information in this manual.

This product has been tested and found to comply with EMC limits specified by IEC/EN 60601-1-2 for Class B equipment.

Portable and mobile RF communications equipment can affect the operation of this product.

Other devices may experience interference from even the low levels of electromagnetic emissions permitted by the above standard. To determine if the emission from this product is causing the interference, run and stop running this product. If the interference with the other device operation stops, then this product is causing the interference. In such rare cases, interference may be reduced or corrected by the following:

- Reposition, relocate, or increase the separation between the devices.

### 12.2 Electromagnetic emission

#### Guidance and manufacturer's declaration

This product is intended for use in the electromagnetic environment specified below. The customer or the user of this product should assure that it is used in such an environment.

Emissions test	Compliance	Electromagnetic environment - guidance
RF emissions CISPR 11	Group I	This product uses RF energy only for its internal function. Therefore, its RF emissions are very low and are not likely to cause any interference in nearby electronic equipment.
RF emissions CISPR 11	Class B	This product is suitable for use in all establishments including domestic establishments and those directly connected to the public low-voltage power supply network that supplies buildings used for domestic purposes.
Harmonic emissions IEC 61000-3-2	Class A	
Voltage fluctuations /flicker emissions IEC 61000-3-3	Complies	


### 12.3 Electromagnetic Immunity


#### Guidance and manufacturer's declaration

This product is intended for use in the electromagnetic environment specified below. The customer or the user of this product should assure that it is used in such an environment.

Immunity test	Test / Compliance level	Electromagnetic environment – guidance
Electrostatic discharge (ESD) IEC 61000-4-2	± 8 kV contact ± 2 kV, ± 4 kV, ± 8 kV, ± 15 kV air	Floors should be wood, concrete or ceramic tile. If floors are covered with synthetic material, the relative humidity should be at least 30 %.
Electrostatic transient / burst IEC 61000-4-4	± 2 kV for power supply lines; 100 kHz repetition frequency ± 1 kV for input / output lines; 100 kHz repetition frequency	Mains power quality should be that of a typical commercial or hospital environment.
Surge IEC 61000-4-5	± 1 kV line to line ± 2 kV line to earth	Mains power quality should be that of a typical commercial or hospital environment.



Immunity test	Test / Compliance level	Electromagnetic environment – guidance
Voltage dips, short interruptions and voltage variations on power supply input lines IEC 61000-4-11	< 0% $U_T$ for 0,5 cycle at 45° steps 0% $U_T$ for 1 cycles 70% $U_T$ for 25 / 30 cycles < 5% $U_T$ for 250 / 300 cycles	Mains power quality should be that of a typical commercial or hospital environment. If the user of this product requires continued operation during power mains interruptions, it is recommended that the product is powered from an un-interruptible power supply or a battery.  $U_T$ is the a. c. mains voltage prior to application of the test level.
Power frequency (50/60 Hz) magnetic field IEC 61000-4-8	30 A/m	Power frequency magnetic fields should be at levels characteristic of a typical location in a typical commercial or hospital environment.
Conducted RF IEC 61000-4-6	3 V 150 kHz to 80 Mhz  6 V in ISM & amateur radio bands	Field strengths from fixed transmitters, such as base stations for radio (cellular/cordless) telephones and land mobile radios, amateur radio, AM and FM radio broadcast and TV broadcast cannot be predicted theoretically with accuracy. To assess the electromagnetic environment due to fixed RF transmitters, an electromagnetic site survey should be considered. If the measured field strength in the location in which this product is used exceeds the applicable RF compliance level above, this product should be observed to verify normal operation. If abnormal performance is observed, additional measures may be necessary, such as reorienting or relocating this product.  Interference may occur in the vicinity of equipment marked with the following symbol: 
Radiated RF IEC 61000-4-3	10 V/m 80 Mhz to 2,7 GHz  385 MHz - 5785 MHz test specifications for immunity to RF wireless communication equipment refer to table 9 of IEC 60601-1-2:2014	Portable and mobile RF communications equipment should be used no closer than 30 cm to any part of this product including cables.

 These guidelines may not apply in all situations. Electromagnetic propagation is affected by absorption and reflection from structures, objects and people.



# Inhaltsverzeichnis

Diese Gebrauchsanweisung MUSS dem Benutzer des Produkts ausgehändigt werden. VOR der Verwendung dieses Produkts MUSS die Gebrauchsanweisung gelesen werden. Bewahren Sie sie auf, um später darin nachschlagen zu können.

<b>1 Allgemein</b>	<b>36</b>
1.1 Einleitung	36
1.1.1 Symbole in diesem Dokument	36
1.2 Nutzungsdauer	36
1.2.1 Zusatzinformation	36
1.3 Beschränkung der Haftung	36
1.4 Garantieinformationen	36
1.5 Konformität	36
1.5.1 Produktspezifische Normen	37
<b>2 Sicherheit</b>	<b>38</b>
2.1 Allgemeine Sicherheitsinformationen	38
2.1.1 Einklemmgefahr	39
2.2 Sicherheitsinformationen zum Zubehör	39
2.3 Sicherheitshinweise zur elektromagnetischen Verträglichkeit	39
2.4 Etiketten und Symbole auf dem Produkt	40
2.4.1 Anbringungsort der Etiketten	40
2.4.2 Typenschild	40
2.4.3 Sonstige Symbole	40
<b>3 Produktübersicht</b>	<b>42</b>
3.1 Verwendungszweck	42
3.2 Hauptkomponenten des Lifters	42
3.3 Zubehörteile	43
<b>4 Inbetriebnahme</b>	<b>44</b>
4.1 Allgemeine Sicherheitsinformationen	44
4.2 Lieferumfang	44
4.3 Anbringen des Masts	44
4.3.1 Auseinanderklappen des Masts	44
4.3.2 Montage des Masts auf der Basis	45
4.4 Ausklappen des Spreizbügels	45
4.5 Montage des Verstellmotors am Ausleger	46
4.6 Montage des Hebels für manuelle Fahrgestellspreizung	46
4.7 Zurücksetzen der Serviceanzeige	47
<b>5 Verwenden</b>	<b>48</b>
5.1 Allgemeine Sicherheitsinformationen	48
5.2 Verriegeln und Entriegeln der hinteren Rollen	48
5.3 Anheben/Absenken eines elektrischen Lifters	48
5.4 Schließen und Öffnen der Fußschienen	48
5.4.1 Schließen und Öffnen der elektrischen Fußschienen	48
5.4.2 Manuelles Schließen und Öffnen der Fußschienen	48
5.5 Austauschen des Spreizbügels	49
5.6 Notfallfunktionen	49
5.6.1 Durchführen eines Notaus	49
5.6.2 Aktivieren einer Notabsenkung (Steuerungseinheit CBJ Home)	49
5.6.3 Aktivieren einer Notabsenkung (Steuerungseinheit CBJ Care, CBJ1, CBJ2)	49
5.6.4 Aktivieren einer Notanhebung (Steuerungseinheit CBJ Care, CBJ1)	49
5.6.5 Auslösen einer mechanischen Notabsenkung	50
5.7 Aufladen des Akkus	50
5.7.1 CBJ Home-Steuerungseinheit	50
5.7.2 CBJ Care-, CBJ1-, CBJ2-Steuerungseinheit	51
5.7.3 Optionales Handbedienteil	51
5.7.4 Optionales Akkuladegerät	52
<b>6 Patiententransfer</b>	<b>53</b>
6.1 Allgemeine Sicherheitsinformationen	53
6.2 Vor dem Anheben	53
6.2.1 Anbringen des Patientengurts am Patientenlifter	54
6.3 Transfer eines Patienten von einem Bett	55
6.4 Transfer eines Patienten auf ein Bett	56
6.5 Transfer eines Patienten aus einem Rollstuhl	56
6.6 Transfer eines Patienten in einen Rollstuhl	57
6.7 Transfer eines Patienten auf einen und von einem Toilettenstuhl	57
6.8 Anheben eines Patienten vom Fußboden	58
<b>7 Transport und Lagerung</b>	<b>60</b>
7.1 Allgemeine Informationen	60
7.2 Demontage des Masts von der Basis	60
7.3 Einklappen des Masts	60
7.4 Mastverlängerung für aufrechte Positionierung	60
<b>8 Instandhaltung</b>	<b>61</b>
8.1 Allgemeine Hinweise zur Instandhaltung	61
8.2 Tägliche Überprüfungen	61
8.3 Reinigung und Desinfektion	61
8.3.1 Allgemeine Sicherheitsinformationen	61
8.3.2 Reinigungsintervalle	61
8.3.3 Reinigungsanleitung	62
8.3.4 Desinfektionsanleitung	62
8.4 Wartungsintervall	62
<b>9 Nach dem Gebrauch</b>	<b>63</b>
9.1 Entsorgung	63
9.2 Wiederaufbereitung	63
<b>10 Problembehandlung</b>	<b>64</b>
10.1 Erkennen von Mängeln und mögliche Lösungen	64
<b>11 Technische Daten</b>	<b>65</b>
11.1 Maximale Tragfähigkeit	65
11.2 Abmessungen und Gewichte	65
11.3 Elektrisches System	66
11.4 Umgebungsbedingungen	67
11.5 Materialien	67
11.6 Betätigungskräfte der Bedienelemente	67
<b>12 Elektromagnetische Verträglichkeit (EMV)</b>	<b>68</b>
12.1 Allgemeine Informationen zu Elektromagnetischer Verträglichkeit (EMV)	68
12.2 Elektromagnetische Emissionen	68
12.3 Elektromagnetische Störfestigkeit	68

# 1 Allgemein

## 1.1 Einleitung

Diese Gebrauchsanweisung enthält wichtige Informationen zur Handhabung des Produkts. Lesen Sie die Gebrauchsanweisung sorgfältig durch und befolgen Sie die Sicherheitsanweisungen, damit eine sichere Verwendung des Produkts gewährleistet ist.

Beachten Sie, dass dieses Dokument Abschnitte enthalten kann, die für Ihr Produkt nicht von Bedeutung sind, da dieses Dokument sämtliche zum Zeitpunkt der Drucklegung verfügbaren Modelle abdeckt. Sofern nicht anders angegeben, bezieht sich jeder Abschnitt dieses Dokuments auf alle Modelle des Produkts.

In den länderspezifischen Vertriebsdokumenten sind alle in Ihrem Land verfügbaren Modelle und Konfigurationen aufgeführt.

Invacare behält sich das Recht vor, Produktspezifikationen ohne vorherige Ankündigung abzuändern.

Vergewissern Sie sich vor dem Lesen dieses Dokuments, dass Sie die aktuelle Fassung haben. Die jeweils aktuelle Fassung können Sie als PDF-Datei von der Invacare-Webseite herunterladen.

Wenn die gedruckte Ausführung des Dokuments für Sie aufgrund der Schriftgröße schwer zu lesen ist, können Sie die entsprechende PDF-Version von der Invacare-Website herunterladen. Sie können das PDF-Dokument dann auf dem Bildschirm so anzeigen, dass die Schriftgröße für Sie angenehmer ist.

Weitere Informationen zum Produkt, z. B. Informationen zu Produktsicherheitshinweisen oder zu einem Produktrückruf, erhalten Sie von Ihrem Invacare-Vertreter. Die entsprechenden Adressen finden Sie am Ende dieses Dokuments.

Bei einem ernsthaften Vorfall mit dem Produkt informieren Sie bitte den Hersteller und die zuständige Behörde in Ihrem Land.

### 1.1.1 Symbole in diesem Dokument

In diesem Dokument werden Symbole und Signalwörter verwendet, um auf Gefahren oder unsichere Praktiken hinzuweisen, die zu Verletzungen oder Sachschäden führen können. Die Definitionen der verwendeten Signalwörter finden Sie in der nachfolgenden Tabelle.



#### WARNUNG

Weist auf eine gefährliche Situation hin, die bei Nichtbeachtung zu schweren Verletzungen oder zum Tod führen kann.



#### VORSICHT

Weist auf eine gefährliche Situation hin, die bei Nichtbeachtung zu leichten Verletzungen führen kann.

#### WICHTIG



Weist auf eine gefährliche Situation hin, die bei Nichtbeachtung der Hinweise zu Sachschäden führen kann.



#### Tipps und Empfehlungen

Enthalten nützliche Tipps, Empfehlungen und Anleitungen für eine effiziente und problemlose Verwendung.

## 1.2 Nutzungsdauer

Die Nutzungsdauer dieses Produkts beträgt acht Jahre, vorausgesetzt, es wird täglich und in Übereinstimmung mit den in dieser Gebrauchsanweisung aufgeführten Sicherheitshinweisen, Wartungsintervallen und korrekten Verfahrensweisen verwendet. Die tatsächliche Nutzungsdauer kann abhängig von Häufigkeit und Intensität der Verwendung variieren.

### 1.2.1 Zusatzinformation

Die erwartete Nutzungsdauer basiert auf einem durchschnittlicher Schätzwert von vier Hebezyklen pro Tag.

## 1.3 Beschränkung der Haftung

Invacare übernimmt keine Haftung für Schäden aufgrund von:

- Nichteinhaltung der Gebrauchsanweisung
- falscher Verwendung
- normalem Verschleiß
- falscher Montage oder Einrichtung durch den Käufer oder einen Dritten
- technischen Änderungen
- unbefugten Änderungen bzw. Einsatz nicht geeigneter Ersatzteile

## 1.4 Garantieinformationen

Wir gewähren für das Produkt eine Herstellergarantie gemäß unseren Allgemeinen Geschäftsbedingungen für das entsprechende Land.

Garantieansprüche können nur über den Händler geltend gemacht werden, von dem das Produkt bezogen wurde.

## 1.5 Konformität

Qualität ist für das Unternehmen entscheidend. Alle Abläufe sind nach den Anforderungen von ISO 13485 ausgerichtet.

Dieses Produkt ist mit dem CE-Kennzeichen versehen und erfüllt die europäische Verordnung 2017/745 über Medizinprodukte der Klasse 1. Das Markteinführungsdatum des Produkts ist in der CE-Konformitätserklärung aufgeführt.

Wir setzen uns kontinuierlich dafür ein, die Umwelt durch unsere Unternehmenstätigkeit sowohl direkt vor Ort als auch weltweit möglichst wenig zu beeinträchtigen.

Wir verwenden ausschließlich REACH-konforme Materialien und Bauteile.

Die aktuellen Umweltschutzbestimmungen WEEE (Richtlinie über Elektro- und Elektronik-Altgeräte) und RoHS (Richtlinie zur Beschränkung der Verwendung bestimmter gefährlicher Stoffe in Elektro- und Elektronikgeräten) werden von uns eingehalten.

### **1.5.1 Produktspezifische Normen**

Dieses Produkt wurde getestet und entspricht der Norm ISO 10535 (Lifter zum Transport von behinderten Menschen) und allen einschlägigen Normen.

Weitere Informationen zu lokalen Normen und Vorschriften erhalten Sie bei Ihrem Invacare-Vertreter vor Ort. Die entsprechenden Internetadressen finden Sie am Ende dieses Dokuments.

## 2 Sicherheit

### 2.1 Allgemeine Sicherheitsinformationen

Dieser Abschnitt des Handbuchs enthält allgemeine Sicherheitsinformationen zu Ihrem Produkt. Spezifische Sicherheitsinformationen finden Sie in dem entsprechenden Abschnitt des Handbuchs und in den in diesem Abschnitt beschriebenen Verfahren.



#### **WARNUNG!**

##### **Verletzungsgefahr oder Gefahr von Sachschäden**

- Verwenden Sie dieses Produkt und möglicherweise vorhandenes optionales Zubehör erst, nachdem Sie diese Anweisungen sowie eventuelle zusätzliche Anweisungen – wie zum Produkt oder möglicherweise vorhandenem optionalem Zubehör gehörende Gebrauchsanweisungen oder Merkblätter – vollständig gelesen und verstanden haben. Falls Ihnen die Warnungen, Sicherheitshinweise und Anweisungen unverständlich sind, wenden Sie sich an einen Arzt, einen Invacare-Anbieter oder einen qualifizierten Techniker, bevor Sie das Produkt verwenden.
- Keine unbefugten Veränderungen am Produkt vornehmen.



#### **WARNUNG!**

##### **Die maximale Tragfähigkeit darf nicht überschritten werden**

- Die maximale Tragfähigkeit dieses Produkts oder von verwendetem Zubehör wie Patientengurten, Spreizbügeln usw. darf nicht überschritten werden. Angaben zur maximalen Tragfähigkeit finden sich in der Dokumentation oder auf der Kennzeichnung des Produkts.
- Die Komponente mit der niedrigsten Tragfähigkeit bestimmt die maximale Tragfähigkeit des gesamten Systems.



#### **WARNUNG!**

##### **Verletzungsgefahr oder Gefahr von Sachschäden**

- Die unsachgemäße Verwendung dieses Produkts kann zu Verletzungen oder Sachschäden führen.
- Versuchen Sie nicht, ohne Zustimmung des für den Patienten zuständigen Pflegepersonals einen Transfer durchzuführen.
  - Lesen Sie die Anweisungen in dieser Gebrauchsanweisung durch, und sehen Sie geschulten Fachkräften beim Transfer von Patienten zu. Üben Sie anschließend die Durchführung von Transfers unter Aufsicht, wobei eine gesunde Person den Patienten darstellt.
  - Bei Menschen mit Behinderungen, die beim Transfer nicht kooperieren können, ist mit besonderer Sorgfalt vorzugehen.
  - Verwenden Sie den Patientenlifter nicht als Transportgerät. Er dient zum Transfer einer Person von einer Sitz- oder Liegefläche auf eine andere Sitzfläche.



#### **WARNUNG!**

##### **Verletzungsgefahr oder Gefahr von Sachschäden**

- Unsachgemäßer Umgang mit Kabeln kann zu Stromschlag und Produktversagen führen.
- Knicken, zerschneiden oder beschädigen Sie die Kabel des Produkts nicht in irgendeiner Art und Weise.
  - Stellen Sie sicher, dass bei Verwendung des Produkts keine Kabel eingeklemmt oder beschädigt werden.
  - Sorgen Sie für eine richtige und ordnungsgemäße Verkabelung.
  - Verwenden Sie keine nicht zugelassenen Geräte.



#### **WARNUNG!**

##### **Verletzungsgefahr oder Gefahr von Sachschäden**

- Übermäßige Feuchtigkeit kann das Produkt beschädigen und zu einem Stromschlag führen.
- Der Patientenlifter kann in Bade- und Duschbereichen verwendet werden, eignet sich jedoch NICHT für die Verwendung direkt unter der Dusche. Der Patient muss zum Duschen auf einen Duschstuhl oder eine andere Vorrichtung umgesetzt werden.
  - Wenn der Patientenlifter in einer Umgebung mit hoher Luftfeuchtigkeit verwendet wird, muss er unbedingt nach jeder Verwendung trocken gewischt werden.
  - Stecken Sie das Netzkabel in einer Umgebung mit hoher Luftfeuchtigkeit oder mit nassen Händen nicht ein oder aus.
  - Bewahren Sie das Produkt nicht in einem feuchten Raum oder unter feuchten Bedingungen auf.
  - Überprüfen Sie alle Komponenten des Produkts in regelmäßigen Abständen auf Korrosionsanzeichen oder Schäden. Ersetzen Sie Teile, die korrodiert oder beschädigt sind.
  - Siehe 11.4 *Umgebungsbedingungen*, Seite 67.



#### **WARNUNG!**

##### **Verletzungsgefahr oder Gefahr von Sachschäden**

- Zündquellen können zu Verbrennungen oder Feuer führen.
- Beim Transfer eines Patienten muss ein ausreichend großer Sicherheitsabstand zwischen dem Patientenlifter und möglichen Zündquellen (Heizung, Ofen, Kamin usw.) bestehen.
  - Weder Patient noch Begleitpersonen dürfen während des Transfers rauchen.
  - Der Gurt darf nicht über Zündquellen (Heizung, Herd, Ofen) gelegt werden.



#### **WARNUNG!**

##### **Verletzungsgefahr oder Gefahr von Sachschäden**

- So verhindern Sie Verletzungen oder Schäden bei Verwendung des Produkts:
- Strenge Aufsicht ist erforderlich, wenn das Produkt in der Nähe von Kindern und/oder Haustieren verwendet wird.
  - Lassen Sie keine Kinder mit dem Produkt spielen.

**VORSICHT!****Verletzungsgefahr oder Gefahr von Sachschäden**

Das Produkt kann sich aufheizen, wenn es Sonnenlicht oder anderen Wärmequellen ausgesetzt wird.

- Setzen Sie das Produkt nicht über längere Zeit direkter Sonneneinstrahlung aus.
- Halten Sie das Produkt von Wärmequellen fern.

**WICHTIG!**

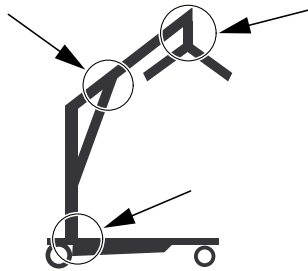
Ansammlungen von Flusen, Staub und anderen Verschmutzungen können das Produkt beeinträchtigen.

- Halten Sie das Produkt sauber.

**VORSICHT!****Kompatibilität der Patientengurte mit dem Befestigungssystem**

Invacare verwendet ein übliches Befestigungssystem, das auf Haken und Schlaufen basiert. Die Schlaufen an den Patientengurten werden an den Haken am Spreizbügel (Kleiderbügel-Stil) befestigt. Daher können geeignete Patientengurte von anderen Herstellern mit diesem Patientenlifter verwendet werden.

- Verwenden Sie nur Patientengurte mit Schlaufenbefestigung, die für Spreizbügel (Kleiderbügel-Stil) mit Haken als Verbindungspunkt geeignet sind.
- Verwenden Sie keine Patientengurte, die für Befestigungssysteme mit Clips bzw. Ösen oder für Systeme mit Neigerahmen vorgesehen sind.

**2.1.1 Einklemmgefahr****WARNUNG!****Verletzungsgefahr**

Es besteht an mehreren Stellen des Lifters die Gefahr, sich die Finger einzuklemmen.

- Halten Sie die Hände und Finger immer fern von beweglichen Teilen.

**2.2 Sicherheitsinformationen zum Zubehör****VORSICHT!****Verletzungsgefahr**

Zubehör, das nicht in Original-Qualität vorliegt, oder falsches Zubehör kann die Funktion und Sicherheit dieses Produkts beeinträchtigen.

- Aufgrund regionaler Unterschiede ziehen Sie die Invacare-Website für Ihr Land oder den Invacare-Katalog zu Rate, um sich über erhältliches Zubehör zu informieren, oder wenden Sie sich an Ihren Invacare-Anbieter.
- Im Handbuch, das im Lieferumfang der Zubehörteile enthalten ist, finden Sie weitere Informationen und Anweisungen.
- Verwenden Sie für das verwendete Produkt ausschließlich Originalzubehör. Unter bestimmten Umständen können Patientengurte anderer Hersteller verwendet werden. Weitere Informationen finden Sie in diesem Abschnitt.
- Vor der Ausgabe von Hebehilfen muss eine fachkundige Risikobewertung vorgenommen werden. Bei der Risikobewertung sind die Aufgabe, individuelle Person, Last, Umgebung und Ausstattung zu berücksichtigen.
- Wählen Sie die Form und Größe des Patientengurts dem Gewicht, der Größe und der Körperbehinderung des jeweiligen Patienten entsprechend aus und berücksichtigen Sie die Art des Transfers, die ausgeführt werden soll.

**2.3 Sicherheitshinweise zur elektromagnetischen Verträglichkeit****WARNUNG!****Gefahr von Fehlfunktionen aufgrund elektromagnetischer Störungen**

Elektromagnetische Störungen können zwischen diesem Produkt und anderen elektrischen Geräten auftreten und die elektrischen Einstellfunktionen dieses Produkts beeinträchtigen. Um solche elektromagnetischen Störungen zu verhindern, zu reduzieren oder zu beseitigen, sollten Sie:

- nur Originalkabel, -zubehör und -ersatzteile verwenden, um die elektromagnetischen Emissionen nicht zu erhöhen bzw. die elektromagnetische Störfestigkeit dieses Produkts zu verringern.
- Verwenden Sie tragbare HF-Kommunikationsgeräte nur in einem Abstand von mindestens 30 cm zu einem beliebigen Teil dieses Produkts (einschließlich Kabel).
- Verwenden Sie dieses Produkt nicht in der Nähe aktiver chirurgischer Hochfrequenzgeräte und eines von HF-Strahlungen abgeschirmten Raums eines Systems für Kernspintomografie mit hoher Intensität elektromagnetischer Störungen.
- Falls Störungen auftreten, vergrößern Sie den Abstand zwischen diesem Produkt und dem anderen Gerät oder schalten Sie es aus.
- Lesen Sie die ausführlichen Informationen und folgen Sie der Anleitung in Kapitel 12 *Elektromagnetische Verträglichkeit (EMV)*, Seite 68.

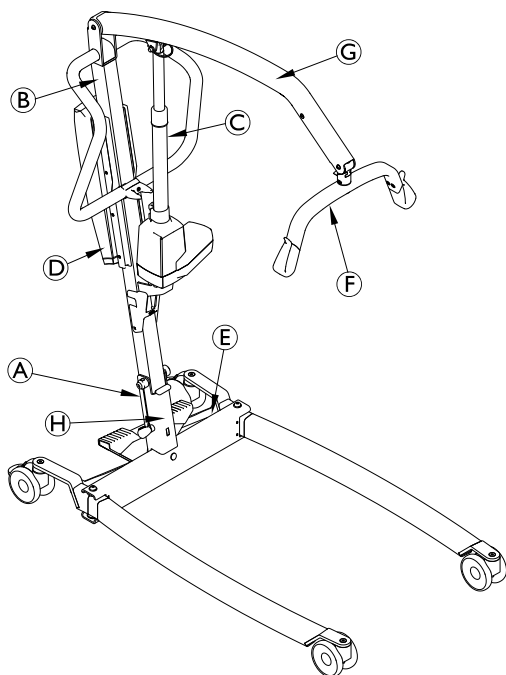
**WARNUNG!****Gefahr von Fehlfunktionen**

Elektromagnetische Störungen können den Betrieb beeinträchtigen.

- Verwenden Sie dieses Produkt nicht unmittelbar neben oder mit anderen elektrischen Geräten gestapelt. Sofern eine solche Verwendung erforderlich ist, müssen das Produkt und andere Geräte sorgfältig beobachtet werden, um den ordnungsgemäßen Betrieb sicherzustellen.

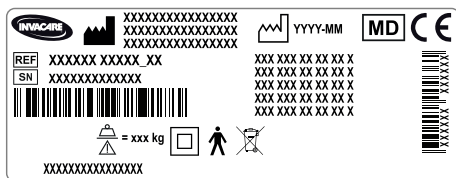
## 2.4 Etiketten und Symbole auf dem Produkt

### 2.4.1 Anbringungsort der Etiketten



(A)	Typenschild
(B)	Etikett „Gebrauchsanweisung lesen“
(C)	Etikett auf Verstellmotor
(D)	Garantieverlust-Etikett, nur auf CBJ1- und CBJ2-Steuerungseinheit
(E)	Etikett mit Angaben zu Umgebungsbedingungen und maximalem Gesamtgewicht
(F)	Tragfähigkeit des Spreizbügels
(G)	Name und Tragfähigkeit des Patientenlifters, Text modellabhängig
(H)	Tragfähigkeit des Patientenlifters, Text modellabhängig (nur fester Mast)

### 2.4.2 Typenschild



Das Typenschild enthält die wesentlichen Produktinformationen einschließlich der technischen Daten.

#### Symbole

<b>SN</b>	Seriennummer
<b>REF</b>	Referenznummer

	Hersteller
	Herstellungsdatum
	Max. Tragfähigkeit
	Betriebsmittel der Klasse II
	Anwendungsteil Typ B
	WEEE-konform
<b>CE</b>	CE-Kennzeichnung
<b>MD</b>	Medizinprodukt

Abkürzungen für technische Daten:



- lin = Eingangsstrom
- U<sub>in</sub> = Eingangsspannung
- Int. = Aussetzbetrieb
- AC = Wechselstrom
- Max = maximal
- min = Minute

Weitere technische Daten finden Sie unter *11 Technische Daten, Seite 65*.

### 2.4.3 Sonstige Symbole

	Siehe Gebrauchsanweisung
	Gesamtgewicht des Produkts bei Belastung unter Ausnutzung der maximalen Tragfähigkeit
	Den Verstellmotor nicht als Schiebegriff verwenden
	Nicht entfernen Bei Entfernung oder Beschädigung dieses Etiketts erlischt die Garantie
	Temperaturbereich
	Luftfeuchtigkeitsbereich
	Luftdruckbereich



	Transport- und Lagerbedingungen
	Betriebsbedingungen

## 3 Produktübersicht

### 3.1 Verwendungszweck

Der mobile Patientenlifter ist eine akkubetriebene Transfervorrichtung und dient dazu, eine Person von einer Sitz- oder Liegefläche auf eine andere zu transferieren und zu positionieren. Beispiel:

- Transfer von Patienten zwischen Bett und Rollstuhl
- Von und zur Toilette
- Anheben/Absenken von Patienten vom/zum Boden

Die maximale sichere Tragfähigkeit ist in *11 Technische Daten, Seite 65* angegeben.

Der mobile Patientenlifter ist für die Verwendung in Innenbereichen auf ebenem Untergrund, in Krankenhäusern, Pflegeeinrichtungen und im häuslichen Umfeld vorgesehen. Der mobile Patientenlifter kann auf der Stelle gedreht werden für Transfers auf engem Raum.

Qualifiziertes Pflegepersonal oder entsprechend geschulte Privatpersonen sind für die Bedienung dieses Produkts vorgesehen.

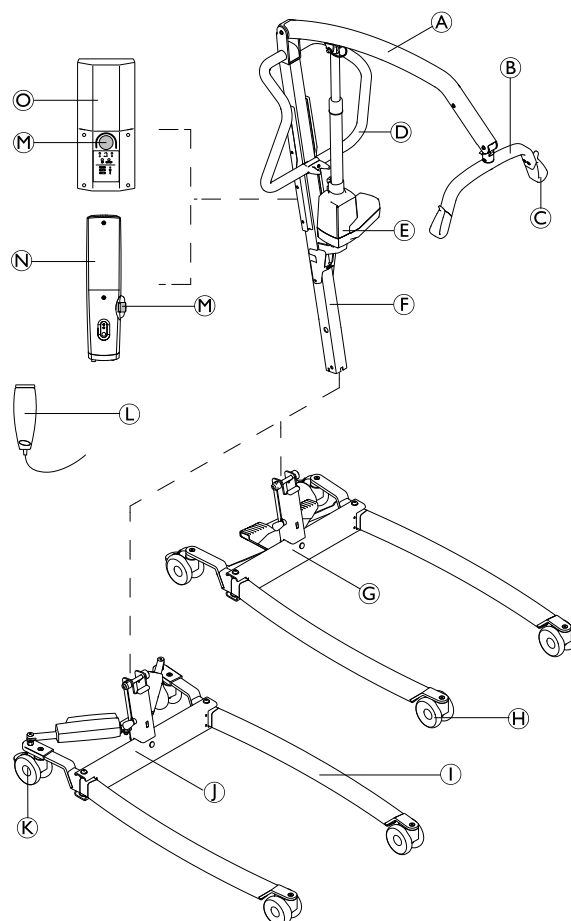
### Indikationen

Der mobile Patientenlifter ist für den teilweisen oder kompletten Transfer unbeweglicher Patienten vorgesehen, die mit anderen Hilfsmitteln nicht umgelagert werden können.

Sämtliche Positionsänderungen erfolgen ohne Zutun des Patienten.

Für dieses Produkt existieren keine bekannten Gegenindikationen.

### 3.2 Hauptkomponenten des Lifters



Ⓐ	Ausleger
Ⓑ	Spreizbügel – mit oder ohne SMARTLOCK™
Ⓒ	Haken für Patientengurt
Ⓓ	Schiebestange
Ⓔ	Hubverstellmotor
Ⓕ	Mast – klappbar oder fest
Ⓖ	Basis mit Fußpedal für manuelle Fahrgestellspreizung
Ⓕ	Vordere Rollen
Ⓖ	Fußschiene
Ⓖ	Basis mit Verstellmotoren für elektrische Fahrgestellspreizung – mit oder ohne Verstellmotorabdeckung
Ⓚ	Hintere Rollen mit Bremse
Ⓛ	Handbedienteil
Ⓜ	Notaus-Taste
Ⓝ	CBJ Home-Steuerungseinheit mit integriertem Akku
Ⓞ	CBJ Care-, CBJ1- oder CBJ2-Steuerungseinheit mit abnehmbarem Akku

### 3.3 Zubehörteile



Aufgrund regionaler Unterschiede ziehen Sie die Invacare-Website für Ihr Land oder den Invacare-Katalog zurate, um Informationen über erhältlichliches Zubehör zu erhalten, oder wenden Sie sich an Ihren Invacare-Anbieter.

- 4-Punkt-Spreizbügel (Kleiderbügel-Stil), 450, 500 oder 550 mm breit
- 2-Punkt-Spreizbügel (Kleiderbügel-Stil), 350, 450 oder 550 mm breit
- Waage zur Befestigung am Spreizbügel
- Hebel für manuelle Fahrgestellspreizung

- Wandladegerät für einen abnehmbaren Akku
- Zusatzakku
- Schutzabdeckungen für Fußschienen
- Polsterung für Spreizbügel

Patientengurtmodelle mit Schlaufenbefestigung, geeignet für Spreizbügel (Kleiderbügel-Stil) mit Haken:

- Ganzkörperpatientengurte – ohne Kopfstütze
- Ganzkörperpatientengurte – mit Kopfstütze
- Patientengurte mit Toilettenausschnitt und zum An-/Auskleiden – mit oder ohne Kopfstütze
- Patientengurte für Amputierte

## 4 Inbetriebnahme

### 4.1 Allgemeine Sicherheitsinformationen



**WARNUNG!**

- Überprüfen Sie alle Teile vor ihrer Verwendung auf Transportschäden.
- Bei Beschädigungen darf die Vorrichtung nicht verwendet werden. Wenden Sie sich an Ihren zuständigen Invacare-Anbieter, um Informationen zur weiteren Vorgehensweise zu erhalten.



**WARNUNG!**

**Verletzungsgefahr**

- Eine unsachgemäße Montage kann zu Verletzungen oder Schäden führen.
- Für die Montage dieses Patientenlifters dürfen Sie nur Originalteile von Invacare verwenden.
  - Stellen Sie nach jeder Montage sicher, dass alle Befestigungen einwandfrei festgezogen sind und alle Teile fehlerlos funktionieren.
  - Ziehen Sie Schrauben und andere Befestigungsteile nicht zu fest an. Die Montagehalterung kann dadurch beschädigt werden.

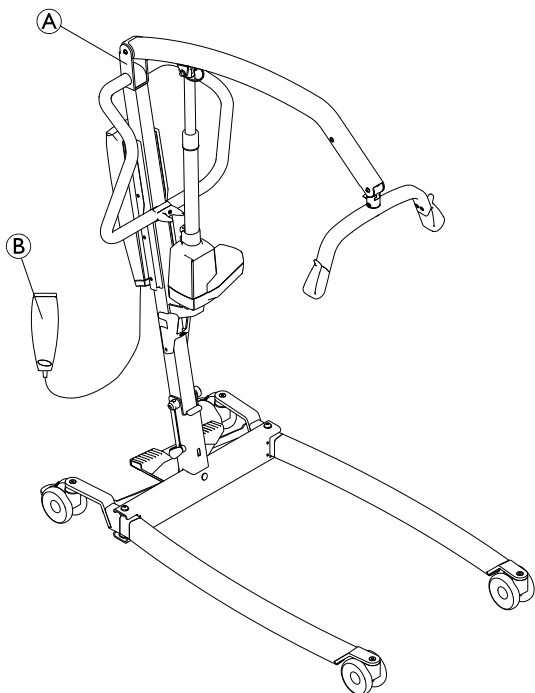


Für die Montage des Patientenlifters sind keine Werkzeuge erforderlich.

Kontaktieren Sie Ihren zuständigen Invacare-Anbieter, falls Sie Fragen oder Probleme bei der Montage haben.

### 4.2 Lieferumfang

Die im Lieferumfang enthaltenen Artikel hängen von den in Ihrem Land verfügbaren Modellen und Konfigurationen ab. Siehe 1.1 Einleitung, Seite 36



(A)	Lifter – inkl. Basis, Mast, Ausleger, Spreizbügel, Steuerungseinheit und Verstellmotoren <ul style="list-style-type: none"> <li>• mit klappbarem Mast (1 Teil)</li> <li>• mit festem Mast (2 Teile) – Basis als separates Teil</li> </ul>
(B)	Handbedienteil (1 Stück)
	Netzkabel (1 Stück)
	Gebrauchsanweisung (1 Stück)
	Akku (1 Stück)* – nur CBJ Care, CBJ1 und CBJ2
	Hebel für manuelle Fahrgestellspreizung (1 Stück)*
	Patientengurt (1 Stück)*

\* Abhängig vom Model und/oder der Konfiguration



Wenn der Lifter mit einem Patientengurt geliefert wird, finden Sie in der Gebrauchsanweisung für den Patientengurt Hinweise zur Verwendung, zum Einsatz, zur Instandhaltung sowie zur Reinigung.

### 4.3 Anbringen des Masts

#### 4.3.1 Auseinanderklappen des Masts

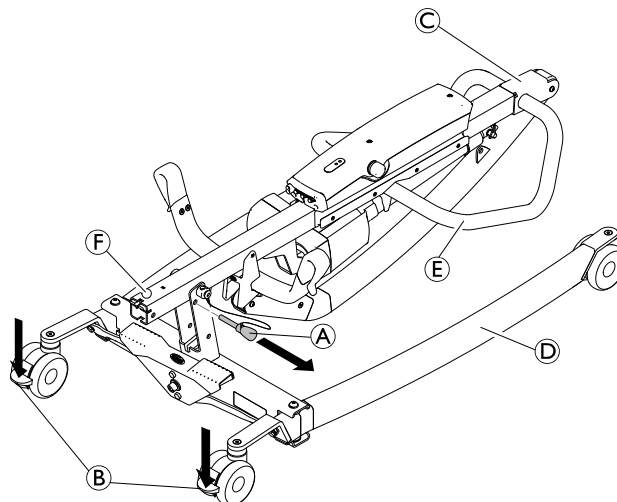
(nur klappbarer Mast)



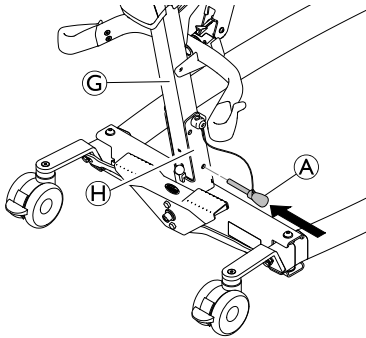
**WARNUNG!**

- Der Mast ist zu Lagerungs- oder Transportzwecken gegebenenfalls zusammengeklappt. Nach jedem Zusammenklappen des Masts MUSS er sicher an der Basiseinheit angebracht werden.
- Prüfen Sie alle Teile vor der Montage auf sichtbare Defekte oder Schäden. Liegen Beschädigungen vor, verwenden Sie das Produkt nicht, sondern wenden Sie sich an Ihren Invacare-Anbieter.
- Vergewissern Sie sich vor der Montage oder Demontage, dass die Notaus-Taste aktiviert ist.
- Gehen Sie beim Anheben der Komponenten während der Montage vorsichtig vor. Einige Teile sind schwer. Nehmen Sie beim Heben immer die richtige Körperhaltung ein.

Packen Sie das Produkt aus und nehmen Sie die Montage am Boden vor.



1. Verriegeln Sie die beiden hinteren Rollen ②. Entfernen Sie den Verriegelungsstift ①.
2. Bringen Sie die Masteinheit ③ in eine aufrechte Position, indem Sie mit einem Fuß auf die Fußschiene ④ treten und die Schiebestange ⑤ nach oben ziehen, bis der Sicherungsverschluss ⑥ einrastet.
- 3.



Schieben Sie den Verriegelungsstift ① wieder durch den Mast ③ und die Basis ④. Vergewissern Sie sich, dass der Verriegelungsstift ordnungsgemäß eingesetzt ist.

### 4.3.2 Montage des Masts auf der Basis

(nur fester Mast)

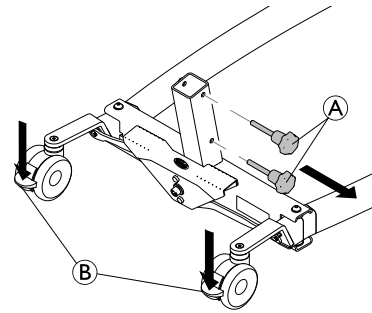


#### WARNUNG!

#### Verletzungsgefahr oder Gefahr von Sachschäden

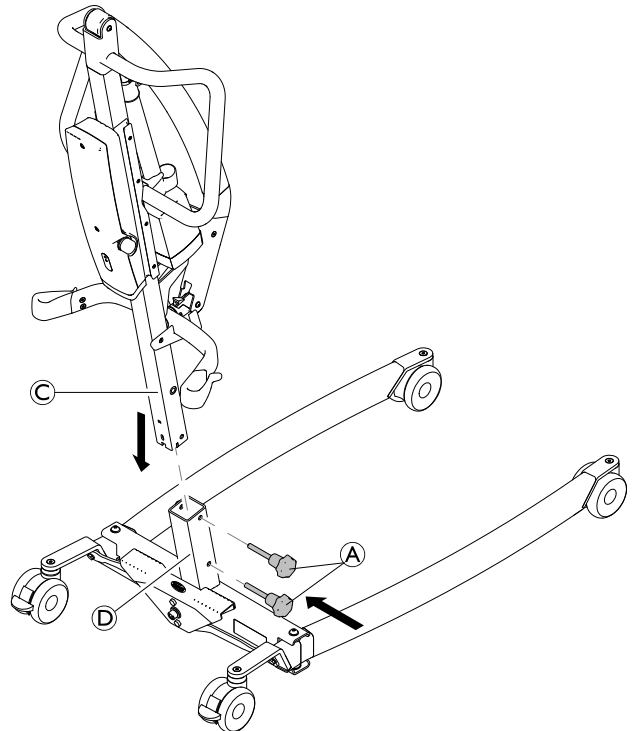
Die auf dem Ausleger und der Basis angegebene maximale Tragfähigkeit muss identisch sein.  
– Vergleichen Sie immer die Angaben auf Basis und Ausleger.

1.



Verriegeln Sie die beiden hinteren Schwenkrollen ② und drehen Sie die Handschrauben entgegen dem Uhrzeigersinn ①, um sie aus der Basis zu entfernen.

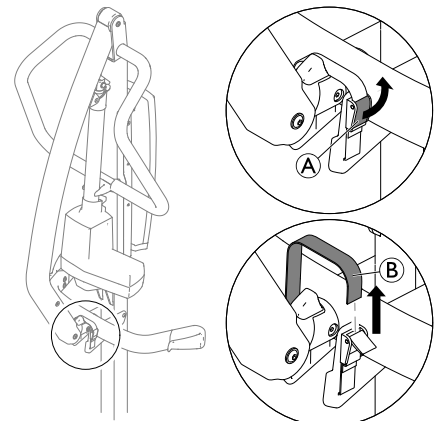
2.



Schieben Sie den Mast ③ nach unten in die Halterung der Basis ④, wobei der Ausleger nach vorne weist. Bringen Sie dann die Handschrauben ① wieder an, um den Mast ③ an der Basis zu befestigen.

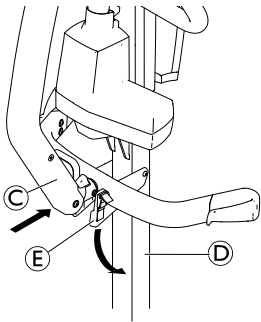
### 4.4 Ausklappen des Spreizbügels

1.



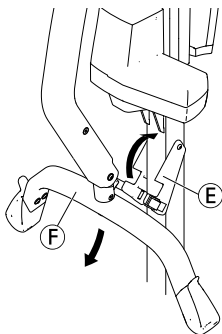
Öffnen Sie den Klemmverschluss ① und entfernen Sie das Band ② aus der Klemmschnalle.

2.



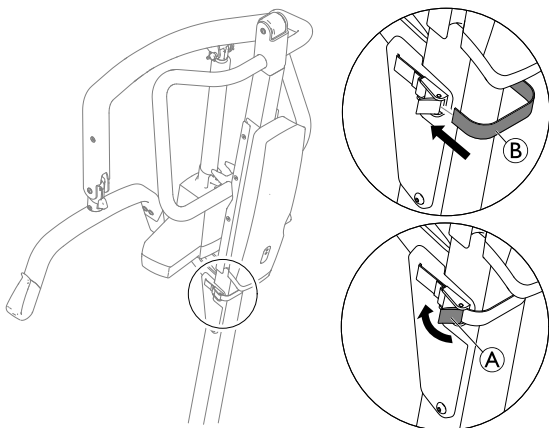
Drücken und halten Sie den Ausleger © in Richtung des Masts © und klappen Sie den Halter © des Spreizbügels nach unten.

3.



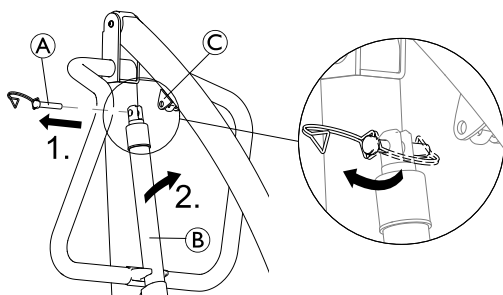
Klappen Sie den Spreizbügel © nach unten und klappen Sie den Halter © des Spreizbügels nach oben.

4.

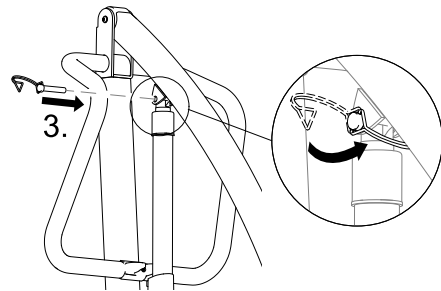


Wickeln Sie das Band © um die Rückseite des Mastes, führen Sie es in die Klemmschnalle ein und schließen Sie den Klemmverschluss ©.

#### 4.5 Montage des Verstellmotors am Ausleger



1. Lösen Sie die D-Klemme und entfernen Sie den Stift © vom Verstellmotor ©.
2. Entfernen Sie den Verstellmotor © aus der Halterung am Mast und montieren Sie ihn an der Montagehalterung des Auslegers ©.
- 3.



Richten Sie die Löcher aneinander aus und setzen Sie den Stift © wieder ein. Achten Sie darauf, dass der Stift auf ganzer Länge eingeführt ist und sichern Sie ihn mit der D-Klemme.



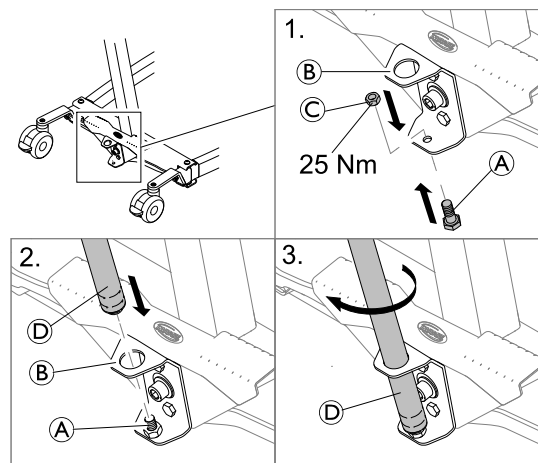
#### WICHTIG

Aufgrund höherer Lasten ist bei Birdie® EVO XPLUS ein längerer Stift erforderlich.  
– Verwenden Sie Birdie® EVO XPLUS nur mit dem längeren Stift, der an einer schwarzen D-Klemme erkennbar ist.

#### 4.6 Montage des Hebels für manuelle Fahrgestellpreizung



2 x 13-mm-Schraubenschlüssel



1. Setzen Sie den Bolzen © von unten in das untere Loch der Halterung © ein und befestigen Sie ihn mit der Mutter ©.
2. Stecken Sie das Hebelende mit dem Gewinde © durch das obere Loch der Halterung © auf die fixierte Schraube ©.
3. Drehen Sie den Hebel © im Uhrzeigersinn auf dem Bolzen fest.

## 4.7 Zurücksetzen der Serviceanzeige

(nur Steuerungseinheit CBJ Care)

- !** **WICHTIG!**
  - Blinkt die Serviceanzeige während der täglichen Verwendung oder nach einer erneuten Montage gelb, muss der Lifter gewartet werden.
    - Wenden Sie sich bezüglich der Wartung an Ihren Invacare-Anbieter.

Nach der ersten Montage des Lifters blinkt die Serviceanzeige gelb und muss vor Verwendung des Lifters zurückgesetzt werden.

So wird die Serviceanzeige erstmalig zurückgesetzt:

1. Nehmen Sie das Handbedienteil zur Hand.
2. Halten Sie die AUFWÄRTS-Taste und die ABWÄRTS-Taste gleichzeitig fünf Sekunden lang gedrückt.
3. Wenn die Serviceanzeige zurückgesetzt wurde, ertönt ein akustisches Signal.

## 5 Verwenden

### 5.1 Allgemeine Sicherheitsinformationen



**WARNUNG!**

**Gefahr von Verletzungen oder Sachschäden**

Bevor Sie den Lifters mit einem Patienten verwenden, lesen Sie die folgenden Sicherheitshinweise und Anleitungen:

- 2 *Sicherheit*, Seite 38
- 6 *Patiententransfer*, Seite 53

### 5.2 Verriegeln und Entriegeln der hinteren Rollen

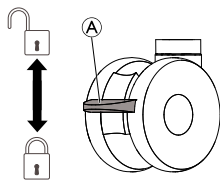


**WARNUNG!**

**Verletzungsgefahr oder Gefahr von Sachschäden**

Der Lifters könnte kippen und die Sicherheit des Patienten und der Helfer gefährden.

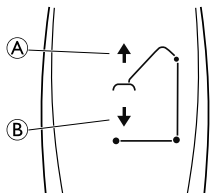
- Invacare empfiehlt, die hinteren Rollen während des Hebevorgangs nicht zu verriegeln, damit der Patientelifters sich selbst stabilisieren kann, wenn der Patient von einem Stuhl, einem Bett oder einem anderen stehenden Objekt angehoben wird.
- Invacare empfiehlt, die hinteren Rollen des Lifters nur zu verriegeln, wenn Sie den Patientengurt um den Patienten legen bzw. wieder entfernen.



- Drücken Sie das Pedal (A) mit dem Fuß herunter, um die Rolle zu verriegeln.
- Drücken Sie das Pedal (A) mit dem Fuß nach oben, um die Rolle zu entsperren.

### 5.3 Anheben/Absenken eines elektrischen Lifters

Das Handbedienteil dient zum Anheben oder Absenken des Lifters.



1. Anheben des Lifters: drücken und halten Sie die AUFWÄRTS-Taste (A), um den Ausleger und den Patienten anzuheben.
2. Absenken des Lifters: Drücken und halten Sie die ABWÄRTS-Taste (B), um den Ausleger und den Patienten anzuheben.



Lassen Sie die Taste los, um das Anheben oder Absenken des Lifters anzuhalten.

### 5.4 Schließen und Öffnen der Fußschienen



**WARNUNG!**

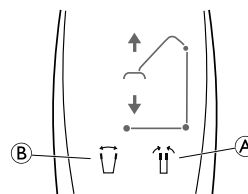
**Verletzungsrisiko**

Der Lifters könnte kippen und den Patienten und die Helfer in Gefahr bringen.

- Die Fußschienen des Patientelifters MÜSSEN maximal geöffnet sein, damit optimale Stabilität und Sicherheit gewährleistet sind. Falls es erforderlich ist, die Schenkel zu schließen, um den Patientelifters unter ein Bett zu schieben, lassen Sie die Fußschienen nur so lange geschlossen, bis Sie den Patientelifters korrekt über dem Patienten positioniert und den Patienten vom Bett hochgehoben haben. Sobald die Fußschienen des Patientelifters nicht mehr unter dem Bett sind, öffnen Sie die Fußschienen wieder maximal.

#### 5.4.1 Schließen und Öffnen der elektrischen Fußschienen

Das Handbedienteil dient zum Öffnen oder Schließen der Fußschienen an der Basis.

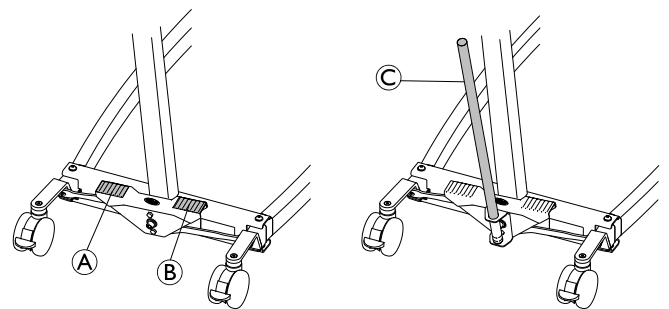


1. Zum Schließen der Fußschienen drücken und halten Sie die Taste (A).
2. Zum Öffnen der Fußschienen drücken und halten Sie die Taste (B).



Die Fußschienen bewegen sich nicht mehr, wenn Sie die Taste loslassen.

#### 5.4.2 Manuelles Schließen und Öffnen der Fußschienen



Die manuelle Fahrgestellspreizung wird mit zwei Fußpedalen (A und B) oder mit dem Hebel (C) betätigt.

1. Zum Öffnen der Fußschienen betätigen Sie das rechte Fußpedal (B).
2. Zum Schließen der Fußschienen betätigen Sie das linke Fußpedal (A).

Unter Verwendung des Hebels:

1. Zum Öffnen der Fußschienen ziehen Sie den Hebel (C) nach rechts.
2. Zum Schließen der Fußschienen drücken Sie den Hebel (C) nach links.



## 5.5 Austauschen des Spreizbügels

(nur Spreizbügel mit SMARTLOCK™)



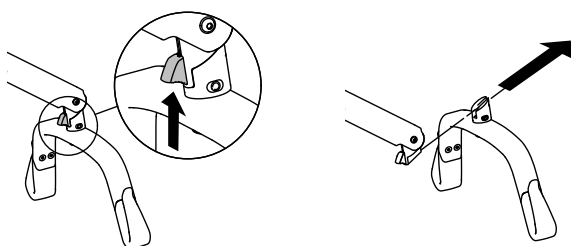
### WARNUNG!

#### Verletzungsgefahr

- Verwenden Sie nur Spreizbügel, die für diesen Lifter vorgesehen sind.
- Vergewissern Sie sich, dass der Spreizbügel für den Patienten und den erforderlichen Lifter oder Transfer geeignet ist.
- Überprüfen Sie, dass der Spreizbügel ordnungsgemäß am Verbindungsstück des Auslegers befestigt ist und nicht entfernt werden kann, ohne den Entriegelungshebel zu drücken.

### Entfernen des Spreizbügels

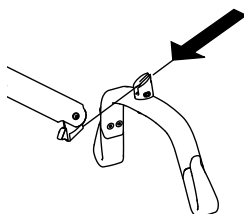
- 1.
- 2.



1. Drücken Sie den Entriegelungshebel nach oben und halten Sie ihn gedrückt.
2. Schieben Sie den Spreizbügel nach vorn und leicht nach oben gerichtet heraus.

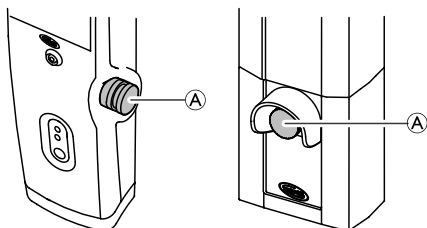
### Anbringen eines Spreizbügels

1. Schieben Sie den Spreizbügel hinein, bis ein hörbares Klicken zu vernehmen ist.
2. Überprüfen Sie, dass der Spreizbügel ordnungsgemäß am Verbindungsstück des Auslegers befestigt ist und nicht entfernt werden kann, ohne den Entriegelungshebel zu drücken.



## 5.6 Notfallfunktionen

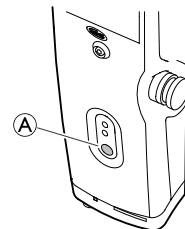
### 5.6.1 Durchführen eines Notaus



1. Drücken Sie die rote Notaus-Taste (A) an der Steuerungseinheit, um den Ausleger anzuhalten und das Heben bzw. Absenken des Patienten zu unterbrechen.
2. Um die Notaus-Taste wieder zurückzusetzen, drehen Sie die Taste im Uhrzeigersinn.

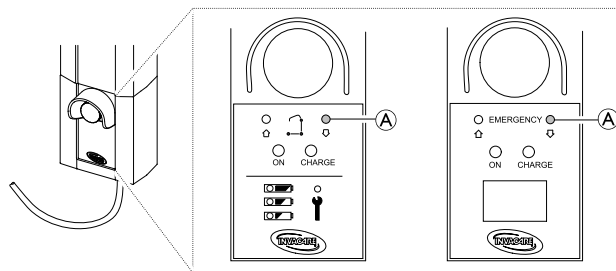
### 5.6.2 Aktivieren einer Notabsenkung (Steuerungseinheit CBJ Home)

Wenn das Handbedienteil ausfällt, kann der Ausleger mit der Rundtaste für die Notabsenkung abgesenkt werden.



1. Senken Sie den Ausleger ab, indem Sie die Taste (A) vorn an der Steuerungseinheit drücken und gedrückt halten.
2. Durch Loslassen der Taste unterbrechen/beenden Sie das Absenken des Auslegers.

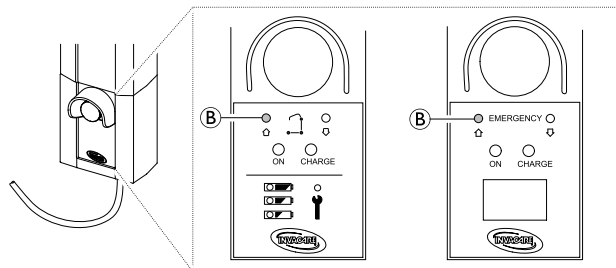
### 5.6.3 Aktivieren einer Notabsenkung (Steuerungseinheit CBJ Care, CBJ1, CBJ2)



Wenn das Handbedienteil ausfällt, kann der Ausleger mit der Rundtaste für die Notabsenkung abgesenkt werden. Drücken Sie die Taste mit einem spitzen Gegenstand, z. B. einem Bleistift.

1. Senken Sie den Ausleger ab, indem Sie die Taste (A) vorn an der Steuerungseinheit drücken und gedrückt halten.
2. Durch Loslassen der Taste unterbrechen/beenden Sie das Absenken des Auslegers.

### 5.6.4 Aktivieren einer Notanhebung (Steuerungseinheit CBJ Care, CBJ1)



Wenn das Handbedienteil nicht anspricht, kann der Ausleger mit dem Schalter für die Notabsenkung angehoben werden. Drücken Sie die Taste mit einem spitzen Gegenstand, z. B. einem Bleistift.

1. Heben Sie den Ausleger an, indem Sie die Taste **Ⓑ** vorn an der Steuerungseinheit drücken und halten.
2. Unterbrechen Sie das Anheben des Auslegers durch Loslassen der Taste.

### 5.6.5 Auslösen einer mechanischen Notabsenkung

Wenn die Notabsenkung unter Verwendung der Steuerungseinheit nicht funktioniert, besteht zusätzlich noch die Möglichkeit einer manuellen Notabsenkung. Diese kann beispielsweise bei einem teilweisen oder vollständigen Stromausfall oder einer vollständigen Entladung des Akkus während des Betriebs erforderlich werden.



#### WARNUNG!

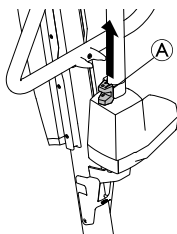
#### Verletzungsgefahr oder Gefahr von Sachschäden

Die wiederholte Durchführung einer mechanischen Notabsenkung führt zu einer starken Zunahme der Absenkgeschwindigkeit.

- Nutzen Sie die mechanische Notabsenkung nur als letzte Möglichkeit, wenn die Notabsenkung unter Verwendung der Steuerungseinheit nicht funktioniert.
- Vermeiden Sie es, wiederholt in dichtem Abstand eine mechanische Notabsenkung durchzuführen.
- Senken Sie den Patienten immer auf eine tragfähige Fläche (Bett, Stuhl usw.) ab.
- Nachdem eine mechanische Notabsenkung erforderlich war, muss der Patientenlifter überprüft werden, um die Fehlfunktion der Steuerungseinheit zu beheben.

### Birdie® EVO und Birdie® EVO PLUS/XPLUS

1. Der rote Notabsenkungshebel **Ⓐ** befindet sich unten am Verstellmotorkolben.
2. Ziehen Sie den roten Notabsenkungshebel **Ⓐ** langsam nach oben und halten Sie ihn in Position, wenn eine sichere Absenkgeschwindigkeit erreicht ist.
3. Wenn bei vollständig gezogenem Notabsenkungshebel **Ⓐ** kein Absenken erfolgt, drücken Sie den Ausleger gleichzeitig herunter.



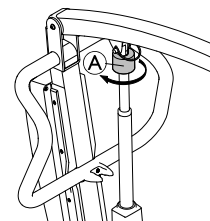
Die effektive Senkgeschwindigkeit hängt vom Patientengewicht ab. Ist die Geschwindigkeit zu niedrig oder zu hoch, kann sie an das Patientengewicht angepasst werden. Einstellen der Absenkgeschwindigkeit:

1. In der unteren Bohrung des roten Notabsenkungshebels **Ⓐ** befindet sich eine Schraube.
2. Drehen Sie die Schraube gegen den Uhrzeigersinn, um die Geschwindigkeit zu erhöhen.
3. Drehen Sie die Schraube im Uhrzeigersinn, um die Geschwindigkeit zu verringern.

### Birdie® EVO COMPACT

(optional)

1. Die Knebelschraube für die Notabsenkung **Ⓐ** befindet sich oben am Verstellmotorkolben.
2. Drehen Sie die Knebelschraube für die Notabsenkung **Ⓐ** im Uhrzeigersinn.



## 5.7 Aufladen des Akkus



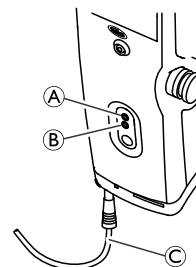
#### WICHTIG!

- Vergewissern Sie sich, dass die Notaus-Taste nicht eingedrückt ist, wenn der Akku aufgeladen werden soll.
- Stellen Sie sicher, dass das Aufladen in einem gut belüfteten Raum durchgeführt wird.
- Elektrische Funktionen stehen nicht zur Verfügung, wenn der Lifter an die Stromversorgung angeschlossen ist.
- Versuchen Sie nicht, den Lifter zu verwenden, wenn das Akkugehäuse beschädigt ist.
- Tauschen Sie ein beschädigtes Akkugehäuse aus, bevor Sie den Lifter wieder einsetzen.
- Bewegen Sie den Lifter erst, nachdem Sie das Netzkabel aus der Steckdose gezogen haben.

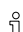
Es wird empfohlen, den Akku täglich aufzuladen, um die optimale Verwendung des Lifters zu gewährleisten und die Lebensdauer des Akkus zu verlängern. Darüber hinaus wird empfohlen, den Akku vor dem ersten Gebrauch zu laden.

### 5.7.1 CBJ Home-Steuerungseinheit

Die Steuerungseinheit ist mit einem akustischen Signal ausgestattet. Ein Signal gibt an, dass der Akku schwach ist, der Patient jedoch noch abgesenkt werden kann. Es wird empfohlen, den Akku aufzuladen, sobald das akustische Signal ertönt.

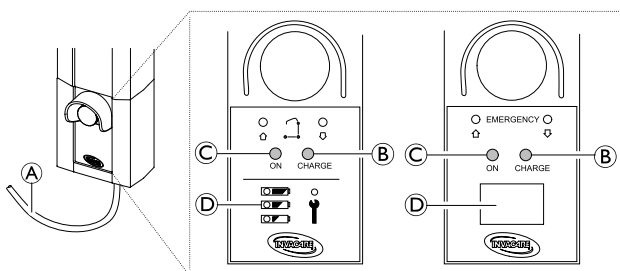


1. Stecken Sie das Netzkabel © in eine Steckdose ein.

 Der Akku ist in ungefähr 4 Stunden aufgeladen. Das Ladegerät wird automatisch ausgeschaltet, wenn der Akku vollständig aufgeladen ist. Die obere gelbe Leuchtdiode (A) blinkt während des Aufladens und leuchtet kontinuierlich, sobald der Akku vollständig aufgeladen ist. Die untere grüne Diode (B) leuchtet kontinuierlich, während die Steuerungseinheit mit dem Netzkabel verbunden ist. Sie leuchtet auf, wenn eine Taste auf dem Handbedienteil gedrückt wird oder wenn die elektrische Notabsenkung aktiviert wird.


2. Ziehen Sie das Netzkabel aus der Steckdose, nachdem der Akku vollständig aufgeladen wurde.

### 5.7.2 CBJ Care-, CBJ1-, CBJ2-Steuerungseinheit



Die Steuerungseinheit ist mit einem akustischen Signal ausgestattet. Ein Signal gibt an, dass der Akku schwach ist, der Patient jedoch noch abgesenkt werden kann. Es wird empfohlen, den Akku aufzuladen, sobald das akustische Signal ertönt.

1. Stecken Sie das Netzkabel (A) in eine Steckdose ein.






 Der Akku ist in ungefähr 4 Stunden aufgeladen. Das Ladegerät wird automatisch ausgeschaltet, wenn der Akku vollständig aufgeladen ist. Die rechte gelbe Leuchtdiode (B) leuchtet während des Aufladens kontinuierlich und erlischt, sobald der Akku vollständig aufgeladen ist. Die linke grüne Leuchtdiode (C) leuchtet kontinuierlich, während die Steuerungseinheit mit dem Stromnetz verbunden ist.





2. Ziehen Sie das Netzkabel (A) aus der Steckdose, nachdem der Akku vollständig aufgeladen wurde.

### Akkuanzeige

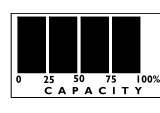
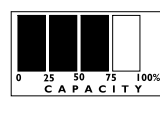
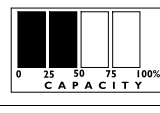
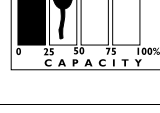
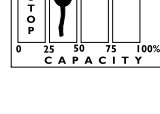
Die Steuerungseinheit kann mit einer Akkuanzeige (D) ausgestattet sein, die die verbleibende Akkukapazität angibt.

#### CBJ Care

Akkuanzeige	Ladestand des Akkus	Beschreibung
	Vollständig aufgeladen	Der Ladestand des Akkus ist in Ordnung, der Akku muss nicht aufgeladen werden (100–50 %). Die obere LED leuchtet GRÜN.
		
		
	Teilweise aufgeladen	Der Akku muss aufgeladen werden (50–25 %). Die mittlere LED leuchtet GELB.
		



Akkuanzeige	Ladestand des Akkus	Beschreibung
	Niedriger Akkustand	Der Akku muss aufgeladen werden (unter 25 %). Signalton ertönt, wenn eine Taste gedrückt wird. Die untere LED leuchtet GELB.
		
	Niedriger Akkustand (LED blinkt)	Der Akku muss aufgeladen werden. Einige Funktionen des Lifters sind nicht mehr verfügbar. Es ist nur noch möglich, den Ausleger zu senken.
		



#### CBJ1 und CBJ2 mit LCD

Akkuanzeige	Ladestand des Akkus	Beschreibung
	Vollständig aufgeladen (100 %)	Der Ladestand des Akkus ist in Ordnung, der Akku muss nicht aufgeladen werden (100 %).
	Teilweise aufgeladen (75 %)	Der Ladestand des Akkus ist in Ordnung, der Akku muss nicht aufgeladen werden (75 %).
	Teilweise aufgeladen (50 %)	Der Akku muss aufgeladen werden (50 %).
	Niedriger Akkustand (25 %)	Der Akku muss aufgeladen werden (25 %). Signalton ertönt, wenn eine Taste gedrückt wird.
	Niedriger Akkustand (0 %)	Der Akku muss aufgeladen werden. Einige Funktionen des Lifters sind nicht mehr verfügbar. Es ist nur noch möglich, den Ausleger zu senken.

### 5.7.3 Optionales Handbedienteil


Für CBJ Care ist ein optionales Handbedienteil mit Akkuanzeige erhältlich.

Akkuanzeige	Ladestand des Akkus	Beschreibung
	Vollständig aufgeladen	Der Ladestand des Akkus ist in Ordnung, der Akku muss nicht aufgeladen werden (100–50 %). Die rechte LED leuchtet GRÜN.
		

Akkuanzeige	Ladestand des Akkus	Beschreibung
	Niedriger Akkustand	Der Akku muss aufgeladen werden (unter 25 %). Signalton ertönt, wenn eine Taste gedrückt wird. Die linke LED leuchtet GELB.
	Niedriger Akkustand (LED blinkt)	Der Akku muss aufgeladen werden. Einige Funktionen des Lifters sind nicht mehr verfügbar. Es ist nur noch möglich, den Ausleger zu senken.

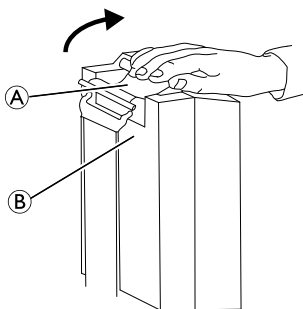
### 5.7.4 Optionales Akkuladegerät

(nur für Steuerungseinheiten mit abnehmbarem Akku)

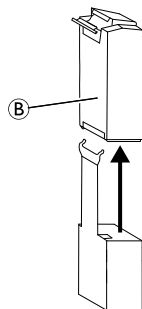
 Die Vorgehensweise zum Entfernen bzw. Einsetzen des Akkus ist für die Steuerungseinheit und das Ladegerät identisch.

#### Entfernen des Akkus

1.



2.



1. Klappen Sie den Griff (A) auf der Rückseite des Akkus (B) nach oben.
2. Nehmen Sie den Akku nach oben aus der Steuerungseinheit oder dem Ladegerät heraus.

#### Einsetzen des Akkus

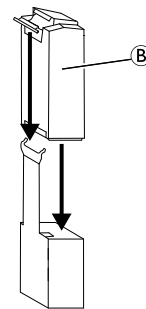


#### VORSICHT!

Ein unsachgemäßes Einsetzen des Akkus kann zu Verletzungen oder Schäden führen.

– Wenn Sie den Akku in die Steuerungseinheit oder das Ladegerät einsetzen, muss ein deutliches Klicken zu hören sein. Nur so ist sichergestellt, dass der Akku korrekt eingesetzt wurde.

1. Setzen Sie den Akku (B) wie abgebildet in die Steuerungseinheit oder das Ladegerät ein. Es muss ein deutliches Klicken zu hören sein.



Wenn der Akku in das Ladegerät eingesetzt ist, leuchtet die Laden-LED. Wenn der Ladevorgang abgeschlossen ist, erlischt die Lade-LED wieder.

Es dauert etwa vier Stunden, bis der Akku vollständig geladen ist.

## 6 Patiententransfer

### 6.1 Allgemeine Sicherheitsinformationen



#### **WARNUNG!**

#### **Verletzungsgefahr oder Gefahr von Sachschäden**

Die unsachgemäße Verwendung dieses Produkts kann zu Verletzungen oder Sachschäden führen.

- Vor dem Transfer eines Patienten auf ein stehendes Objekt (Rollstuhl, Bett, Toilettensitz oder sonstige Sitzfläche) müssen Sie überprüfen, ob das Gewicht des Patienten die jeweiligen Gewichtsbeschränkung nicht überschreitet.
- Falls zutreffend, müssen die Feststellbremsen oder Schwenkradverriegelungen des stehenden Objekts (Rollstuhl, Bett, usw.) verriegelt sein, bevor der Patient abgesenkt oder angehoben werden darf.



#### **WARNUNG!**

#### **Verletzungsgefahr oder Gefahr von Sachschäden**

Die unsachgemäße Verwendung dieses Produkts kann zu Verletzungen oder Sachschäden führen.

- Verwenden Sie zum Schieben oder Ziehen des Lifters immer die Schiebestangen am Mast der Vorrichtung.
- Verwenden Sie den Lifter nicht auf abschüssigen Oberflächen. Invacare empfiehlt, das Produkt nur auf ebenen Böden zu verwenden.
- Beim Transfer eines Patienten, der in einem am Patientenlifter befestigten Patientengurt gehalten wird, rollen Sie den Lifter NICHT über unebene Böden, da dies zum Umkippen des Patientenlifters führen kann.



#### **WARNUNG!**

#### **Verletzungsgefahr oder Gefahr von Sachschäden**

Schäden an Teilen des Lifters (Handbedienteil, Rollen usw.), die durch Stöße an Boden, Wände oder stehende Objekte verursacht werden, können das Produkt beschädigen und zu Verletzungen führen.

- Teile des Lifters dürfen NICHT gegen den Boden, Wände oder andere stehende Objekte stoßen.
- Bewahren Sie das Handbedienteil IMMER ordnungsgemäß auf, wenn es nicht verwendet wird.



#### **WARNUNG!**

#### **Verletzungsgefahr**

Der Spreizbügel kann sich plötzlich bewegen und zu Verletzungen führen.

- Achten Sie bei der Positionierung des Lifters auf die Position des Spreizbügels und auf den Patienten.



#### **WARNUNG!**

#### **Einklemm- oder Strangulationsgefahr**

Es besteht Verletzungsgefahr, wenn das Kabel des Handbedienteils inkorrekt platziert und befestigt wird.

- Achten Sie IMMER auf die Position des Kabels des Handbedienteils in Bezug zum Patienten und zu den Pflegepersonen.
- Das Kabel des Handbedienteils darf sich NICHT um den Patienten und die Pflegepersonen wickeln.
- Das Handbedienteil muss ordnungsgemäß gesichert werden. Bewahren Sie das Handbedienteil IMMER ordnungsgemäß auf, wenn es nicht verwendet wird.



#### **WARNUNG!**

#### **Einklemm- oder Strangulationsgefahr**

Gegenstände im Umfeld des Patienten können während des Hebens zu einer Gefährdung durch Einklemmen oder Strangulation führen. So verhindern Sie Einklemmen oder Strangulation:

- Überprüfen Sie vor dem Anheben, dass sich im Umfeld des Patienten keine Gegenstände befinden.



#### **WARNUNG!**

#### **Einklemmgefahr**

Es besteht die Gefahr des Einklemmens zwischen den Haken des Spreizbügels und dem Patientengurt.

- Gehen Sie beim Heben vorsichtig vor.
- Hände oder Finger dürfen beim Heben NIEMALS in Kontakt mit den Haken oder in ihre Nähe kommen.
- Achten Sie vor dem Anheben darauf, dass sich die Hände und Finger des Patienten nicht in der Nähe der Haken befinden.



#### **WICHTIG!**

Die nachstehend aufgeführten Schritte des Transfers können von einem (1) Helfer durchgeführt werden. Invacare empfiehlt jedoch, dass der Transfer nach Möglichkeit von zwei (2) Helfern durchgeführt wird.

### 6.2 Vor dem Anheben



#### **WARNUNG!**

#### **Verletzungsgefahr**

Während des Transfers und Hebens kann der Ausleger den Patienten oder die Pflegepersonen treffen und verletzen.

- Achten Sie während des Transfers IMMER auf die Position des Auslegers.
- Positionieren Sie den Ausleger so, dass er den Patienten oder umstehende Personen nicht treffen kann.
- Achten Sie während des Transfers IMMER auf Ihre Körperhaltung in Bezug zum Ausleger.

1. Bevor Sie fortfahren, lesen Sie die Informationen und beachten Sie alle Warnhinweise, die in 2 *Sicherheit, Seite 38* und *Patienten anheben und transferieren* aufgeführt sind.
2. Positionieren Sie den Patienten im Patientengurt. Weitere Informationen erhalten Sie in der Gebrauchsanweisung des Patientengurts.
3. Lösen Sie die hinteren Rollen. Siehe 5 *Verwenden, Seite 48*.
4. Öffnen Sie die Fußschiene des Lifters. Siehe 5 *Verwenden, Seite 48*.
5. Bewegen Sie den Patientenlifter mit den Schiebestangen in die gewünschte Position.



**WARNUNG!**

- Wenn Sie den Lifter in Verbindung mit Betten oder Rollstühlen verwenden, achten Sie auf die Position des Lifters in Bezug zu diesen Objekten, sodass er sich nicht verhakt.
- Bevor Sie die Fußschiene des Patientenlifters unter ein Bett schieben, überprüfen Sie, ob der Bereich frei von Hindernissen ist.

6. Senken Sie den Patientenlifter zum leichteren Anbringen des Patientengurts ab.
7. Sperren Sie die hinteren Rollen. Siehe 5 *Verwenden, Seite 48*
8. Befestigen Sie den Patientengurt. Siehe 6.2.1 *Anbringen des Patientengurts am Patientenlifter, Seite 54*

**6.2.1 Anbringen des Patientengurts am Patientenlifter**



**WARNUNG!**

**Verletzungsgefahr**

Die Verwendung ungeeigneter oder beschädigter Patientengurte kann dazu führen, dass der Patient herunterfällt oder Begleitpersonen verletzt werden.

- Verwenden Sie einen von Invacare zugelassenen, vom Arzt, der Schwester oder der Begleitperson des Patienten empfohlenen Patientengurt, um den Komfort und die Sicherheit des zu hebenden Patienten zu gewährleisten.
- Patientengurte und Zubehör für Patientenlifter von Invacare sind speziell für die Verwendung mit Patientenliftern von Invacare ausgelegt.
- Waschen Sie den Patientengurt gemäß den Waschanweisungen. Überprüfen Sie Patientengurte nach jeder Wäsche auf Abnutzung, Risse und lose Nähte.
- Ausgeblichene, verschlissene, eingeschnittene, ausgefranste oder anderweitig beschädigte Patientengurte sind unsicher und können zu Verletzungen führen. Entsorgen Sie solche Patientengurte unverzüglich.
- Nehmen Sie KEINE ÄNDERUNGEN an Patientengurten vor.



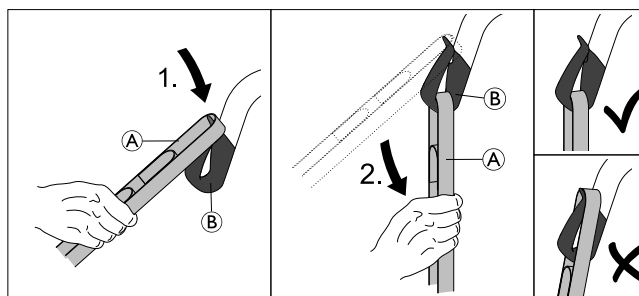
**WARNUNG!**

**Verletzungsgefahr**

Unsachgemäß angebrachte oder eingestellte Patientengurte können dazu führen, dass der Patient herunterfällt oder Begleitpersonen verletzt werden.

- Sie müssen die Patientengurtbefestigungen jedes Mal prüfen, wenn der Patientengurt entfernt und ersetzt wird, um sicherzustellen, dass der Patientengurt korrekt befestigt ist, bevor der Patient von einem feststehenden Objekt (Bett, Stuhl oder Toilettensitz) hochgehoben wird.
- Der Spreizbügel MUSS am Patientenlifter befestigt werden, BEVOR der Patientengurt angebracht wird.
- Verwenden Sie KEINE Inkontinenzeinlagen mit Kunststoffträger oder Sitzkissen zwischen dem Patienten und dem Patientengurt. Diese könnten dazu führen, dass der Patient während des Transfers aus dem Patientengurt rutscht.
- Stellen Sie sicher, dass der Kopf des Patienten beim Anheben ausreichend abgestützt wird.
- Positionieren Sie den Patienten gemäß den mitgelieferten Anweisungen im Patientengurt.
- Sämtliche Anpassungen aus Gründen der Sicherheit und des Komforts des Patienten müssen durchgeführt werden, ehe Sie den Patienten bewegen.

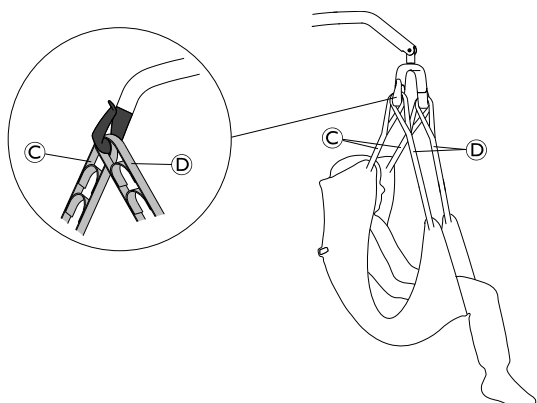
Die Bänder des Patientengurts können mit farblich markierten Schlaufen unterschiedlicher Länge ausgestattet sein, um den Patienten in verschiedene Positionen bringen zu können. Kürzere Bänder an den Schultern bewirken, dass der Patient beim Transfer eine eher aufrechte Position einnimmt, was das Positionieren in einen Stuhl oder Rollstuhl vereinfacht. Durch eine längere Einstellung der Bänder an den Schultern lässt sich eine mehr liegende Position erreichen, was für den Transfer aus einem Stuhl ins Bett besser geeignet ist. Verwenden Sie stets auf beiden Seiten des Patientengurts Schlaufen derselben Farbe, damit der Patient gleichmäßig angehoben wird.





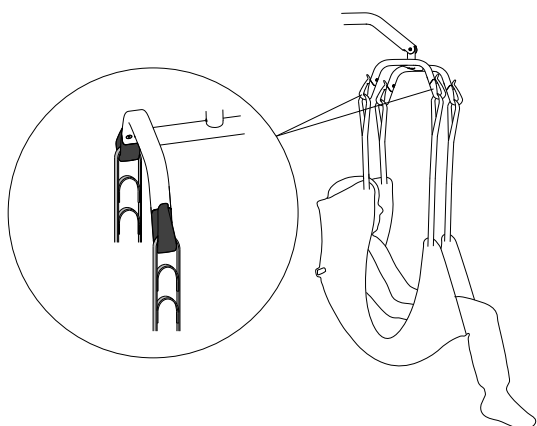
1. Führen Sie die gewünschte Schlaufe des Bands (A) über die Nase des Hakens (B).
2. Ziehen Sie an dem Band (A), bis die Schlaufe ganz unten am Haken (B) sitzt.
3. Wiederholen Sie die Schritte für die restlichen Bänder des Patientengurts.

a.



Bringen Sie bei einem 2-Punkt-Spreizbügel zunächst das Schulterband (C) und dann erst das Beinband (D) an den einzelnen Haken an.

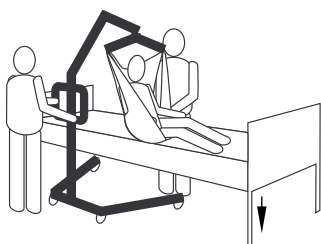
b.



Bringen Sie bei einem 4-Punkt-Spreizbügel alle Bänder an eigenen Haken an.

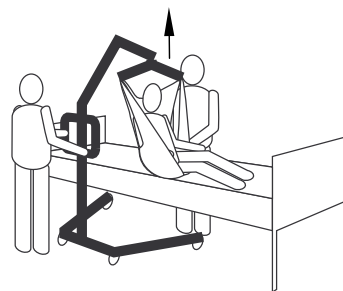
### 6.3 Transfer eines Patienten von einem Bett

1. Bereiten Sie den Hebevorgang vor. Siehe 6.2 *Vor dem Anheben*, Seite 53.
2. Bringen Sie den Patientengurt am Lifter an. Siehe 6.2.1 *Anbringen des Patientengurts am Patientenlifter*, Seite 54.
3. Lösen Sie die hinteren Rollen.
- 4.



Senken Sie das Bett auf die unterste Position ab.

5.



Heben Sie den Patienten so weit vom stehenden Objekt ab, dass sein Gewicht ausschließlich vom Lifter getragen wird.



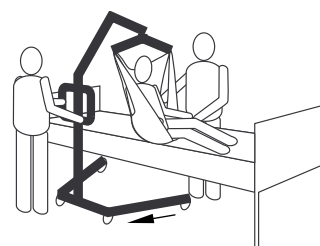
Der Ausleger verbleibt in seiner Position, bis die ABWÄRTS-Taste gedrückt wird.

6.



Prüfen Sie vor dem Transfer des Patienten noch einmal, ob der Patientengurt ordnungsgemäß an den Haken des Spreizbügels befestigt ist. Siehe 6.2.1 *Anbringen des Patientengurts am Patientenlifter*, Seite 54. Falls eine der Befestigungen nicht ordnungsgemäß angebracht ist, senken Sie den Patienten wieder auf das stehende Objekt ab und beheben Sie das Problem.

7.



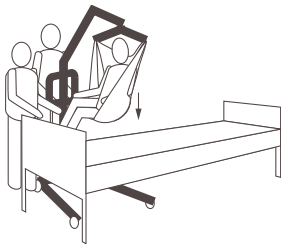
Bewegen Sie den Lifter mit den Schiebestangen vom stehenden Objekt weg.

8.




Drehen Sie den Patienten mit den Halteschlaufen am Patientengurt so, dass er zum Helfer blickt, der den Patientenlifter bedient.

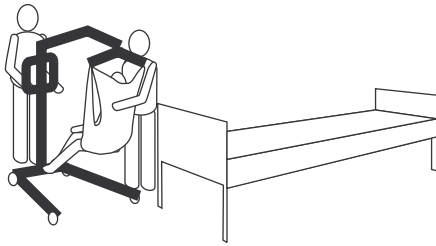
9.



Senken Sie den Patienten so weit ab, bis seine Füße neben dem Mast auf dem Fahrgestell des Lifters aufliegen.

 Der tiefliegende Schwerpunkt sorgt für Stabilität. Dadurch fühlt sich der Patient sicherer, und der Patientenlift lässt sich leichter bewegen.

10.



Bewegen Sie den Patientenlift, indem Sie die Schiebestangen mit beiden Händen festhalten.

11. Fahren Sie mit dem Transfer auf eine andere Sitzfläche oder ein stehendes Objekt fort.

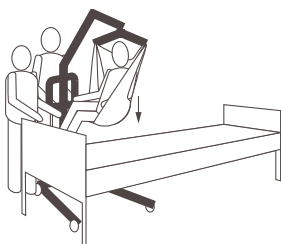
## 6.4 Transfer eines Patienten auf ein Bett

1. Führen Sie die folgenden Schritte zusätzlich zu den Schritten durch, die für das Anheben des Patienten von einer Sitzfläche oder einem stehenden Objekt erforderlich sind.
- 2.



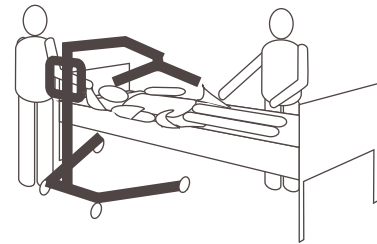
Heben Sie den Lifter an oder senken Sie ihn ab, um den Patienten über dem stehenden Objekt zu positionieren. Heben Sie den Patienten so weit an bzw. senken Sie ihn so weit ab, dass er nicht an den Seiten des stehenden Objekts hängen bleibt.

3.



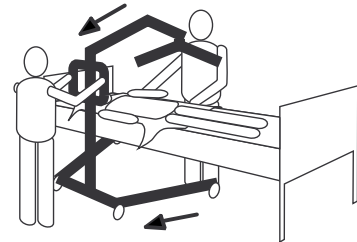
Senken Sie den Patienten auf die feststehende Auflagefläche ab.

4. Vergewissern Sie sich, dass der Patient von der Oberfläche, auf die Sie ihn umlagern, vollständig getragen wird.
5. Sperren Sie die hinteren Rollen.
6. Heben Sie das Bett auf eine günstige Arbeitshöhe an (normalerweise auf Hüfthöhe der Pflegepersonen).
- 7.



Lösen Sie den Patientengurt vom Spreizbügel.

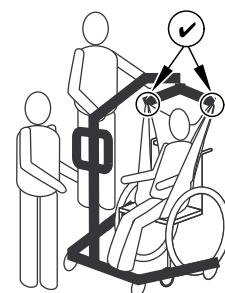
8. Lösen Sie die hinteren Rollen.
- 9.



Schieben Sie den Lifter aus dem Patientenbereich.

## 6.5 Transfer eines Patienten aus einem Rollstuhl

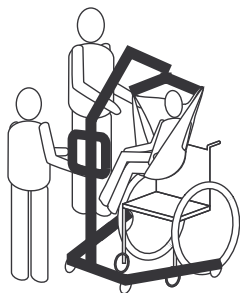
1. Betätigen Sie die manuellen Feststellbremsen des Rollstuhls, damit dieser nicht wegrollen kann.
2. Bereiten Sie den Hebevorgang vor. Siehe 6.2 *Vor dem Anheben*, Seite 53.
3. Stellen Sie sicher, dass der Rollstuhl mit der Vorderseite des Patienten zum Mast zwischen den geöffneten Fußschiene des Patientenlifters steht.
4. Bringen Sie den Patientengurt am Patientenlift an. Siehe 6.2.1 *Anbringen des Patientengurts am Patientenlift*, Seite 54.
5. Lösen Sie die hinteren Schwenkrollen.
- 6.



Heben Sie den Ausleger soweit an, dass die Bänder des Patientengurts gespannt sind, und kontrollieren Sie, ob der Patientengurt ordnungsgemäß an den Haken des Spreizbügels befestigt ist. Siehe 6.2.1 *Anbringen des Patientengurts am Patientenlift*, Seite 54. Falls eine der Befestigungen nicht ordnungsgemäß angebracht ist, senken Sie den Patienten wieder in den Rollstuhl ab, und beheben Sie das Problem.



7.



Heben Sie den Patienten so weit von der Sitzfläche des Rollstuhls an, dass sein Gewicht ausschließlich vom Patientenlifter getragen wird.

8. Bewegen Sie den Patientenlifter anhand der Schiebegriffe vom Rollstuhl weg.
9. Fahren Sie mit dem Transfer auf eine andere Sitz- oder Liegefläche oder ein feststehendes Objekt fort.

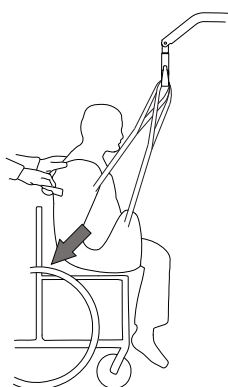
## 6.6 Transfer eines Patienten in einen Rollstuhl



### WARNUNG! Verletzungsgefahr

- Vor dem Transfer des Patienten müssen Sie überprüfen, ob das Gewicht des Patienten die Gewichtsbeschränkung des Rollstuhls nicht überschreitet.
- Die Feststellbremsen des Rollstuhls **MÜSSEN** verriegelt sein, bevor der Patient in den Rollstuhl abgesenkt werden darf.

1. Führen Sie die folgenden Schritte zusätzlich zu den Schritten durch, die für das Anheben des Patienten von einer Sitzfläche oder einem stehenden Objekt erforderlich sind.
2. Betätigen Sie die manuellen Feststellbremsen des Rollstuhls, damit dieser nicht wegrollen kann.
3. Positionieren Sie den Patienten über dem Sitz. Dabei muss der Rücken des Patienten möglichst nahe an der Rückenlehne sein.
- 4.

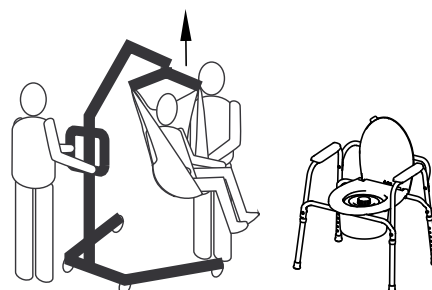


Senken Sie den Patienten langsam ab und führen Sie die Hüfte des Patienten mithilfe des Haltegriffs (bestimmte Modelle) oder der Seiten des Patientengurts soweit wie möglich nach hinten auf den Sitz. So wird für einen guten Schwerpunkt gesorgt und vermieden, dass der Stuhl noch vorne kippt.

## 6.7 Transfer eines Patienten auf einen und von einem Toilettenstuhl

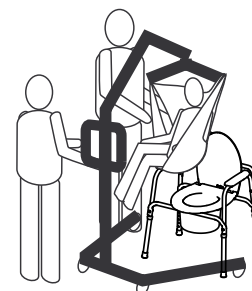
- i Der Patientenlifter von Invacare ist **KEIN** Transportfahrzeug. Wenn sich das Badezimmer **NICHT** in unmittelbarer Nähe des Betts befindet oder der Patientenlifter nicht leicht in Richtung Toilettenstuhl bewegt werden kann, **MUSS** der Patient in einem Rollstuhl zum Badezimmer transportiert werden, bevor der Patient mithilfe des Patientenlifters auf einen Toilettensitz gesetzt werden kann.
- i Die Patientengurte mit Toilettenausschnitt können sowohl für einen Toilettenstuhl als auch einen Standard-Toilettensitz genutzt werden.
- i Vor dem Transfer des Patienten müssen Sie den Patientenlifter in das Badezimmer schieben und überprüfen, ob er problemlos in Richtung Toilettensitz bewegt werden kann.

1. Führen Sie die folgenden Schritte zusätzlich zu den Schritten durch, die für das Anheben des Patienten von einer Sitzfläche oder einem stehenden Objekt erforderlich sind.
- 2.



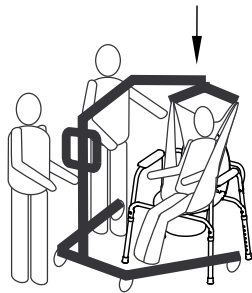
Heben Sie den Patienten so weit hoch, dass er vollständig durch den Patientenlifter gestützt wird und nicht an den Armlehnen des Toilettenstuhls hängt. Siehe 5 *Verwenden*, Seite 48

- 3.



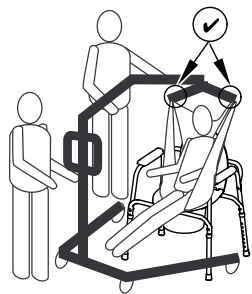
Positionieren Sie den Lifter so, dass sich die Fußschiene seitlich von den Beinen des Toilettenstuhls und die Schiebegriffe gegenüber dem Toilettenstuhl befinden, und positionieren Sie den Patienten über dem Toilettenstuhl.

4.



Senken Sie den Patienten auf den Toilettenstuhl ab und belassen Sie dabei den Patientengurt an den Haken des Spreizbügels. Invacare empfiehlt, dass der Patientengurt an den Haken des Spreizbügels verbleibt, während der Patient auf dem Toilettenstuhl sitzt.

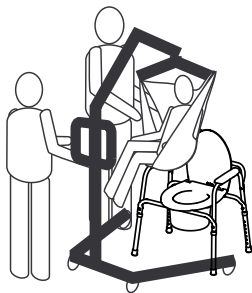
5.



Prüfen Sie nach der Toilettennutzung den korrekten Sitz des Patientengurts.

6. Heben Sie den Patienten vom Toilettenstuhl an.

7.



Wenn sich der Patient knapp über dem Toilettenstuhl befindet, bewegen Sie den Lifter mit den Schiebestangen vom Toilettenstuhl weg.

8. Fahren Sie mit dem Transfer auf eine andere Sitzfläche oder ein stehendes Objekt fort.

## 6.8 Anheben eines Patienten vom Fußboden



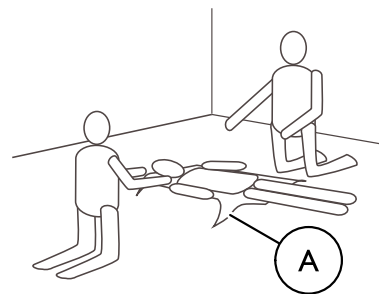
### WARNUNG! Verletzungsgefahr

Der Lifter kann einen Patienten verletzen, der sich auf dem Fußboden befindet, oder einen auf dem Fußboden arbeitenden Helfer.

– Gehen Sie stets vorsichtig vor, wenn Sie Teile des Lifters in der Nähe einer Person bewegen, die sich auf dem Fußboden befindet.

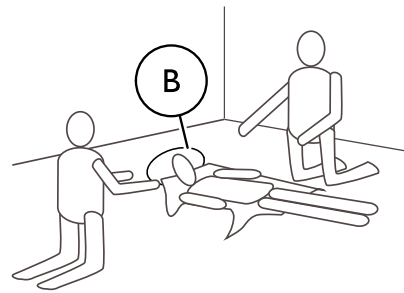
1. Stellen Sie fest, ob der Patient Verletzungen aufgrund eines Sturzes erlitten hat. Wenn keine medizinische Versorgung erforderlich ist, fahren Sie mit dem Transfer fort.

2.



Positionieren Sie den Patientengurt (A) unter dem Patienten. Weitere Informationen zur Positionierung des Patientengurts finden Sie in der Gebrauchsanweisung des jeweiligen Patientengurts.

3.

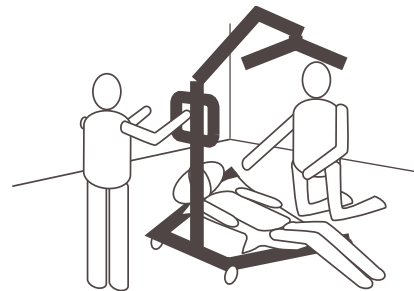


Helfen Sie dem Patienten dabei, seine Knie aufzustellen und den Kopf vom Boden abzuheben. Unterstützen Sie dabei den Kopf des Patienten mit einem Kissen (B).

4. Lösen Sie die hinteren Rollen. Siehe 5 Verwenden, Seite 48

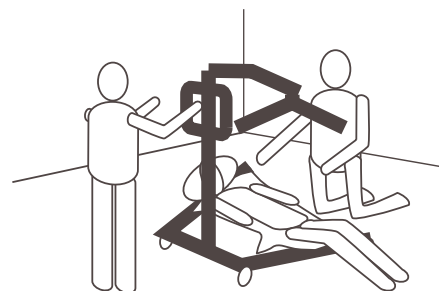
5. Öffnen Sie die Fußschiene des Lifters. Siehe 5 Verwenden, Seite 48

6.



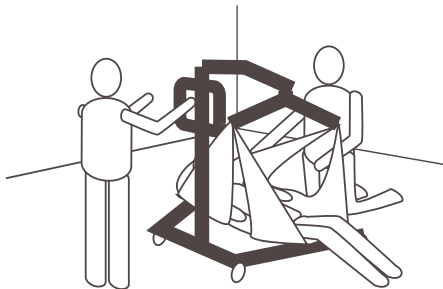
Positionieren Sie den Lifter mit einer Fußschiene unter den angewinkelten Knien des Patienten und der anderen Fußschiene unter dem Kopf des Patienten. Sorgen Sie dafür, dass sich die Patientengurtbänder im Innenbereich der Fußschiene des Lifters befinden.

7.



Senken Sie den Ausleger ab, sodass sich der Spreizbügel direkt über der Brust des Patienten befindet.

8.



Befestigen Sie den Patientengurt. Siehe 6.2.1 Anbringen des Patientengurts am Patientenlifter, Seite 54.

9. Heben Sie den Ausleger an, um den Patienten vom Fußboden anzuheben.
10. Fahren Sie mit dem Transfer auf eine andere Sitzfläche oder ein stehendes Objekt fort.

## 7 Transport und Lagerung

### 7.1 Allgemeine Informationen

Während des Transports oder bei längerer Nichtbenutzung des Patientenlifters sollte die Notaus-Taste gedrückt sein.

Ein zusammengeklappter oder zerlegter Lifter kann zum Transport oder zur Lagerung in der Verpackung aufbewahrt werden.

Zusammengeklappte Lifter können auf den hinteren Rollen gezogen werden, und Lifter mit manueller Fahrgestellspreizung können in aufrechter Position abgestellt werden, wobei die Mast-/Auslegereinheit nach oben zeigt.

Der Patientenlifter muss bei normaler Raumtemperatur gelagert werden. Bei Lagerung an einem feuchten, kalten oder nassen Ort können der Motor und andere Montageteile korrosionsgefährdet sein. Siehe 11.4 *Umgebungsbedingungen*, Seite 67.

### 7.2 Demontage des Masts von der Basis

(nur fester Mast)

1. Entfernen Sie den optionalen Hebel für die Fahrgestellspreizung, falls vorhanden.
2. Senken Sie den Ausleger ab und fahren Sie beiden Fußschiene vollständig ein.
3. Betätigen Sie die Notaus-Taste und stellen Sie die Bremsen der Rollen fest.
4. Befolgen Sie die in 4.5 *Montage des Verstellmotors am Ausleger*, Seite 46 aufgeführten Schritte in umgekehrter Reihenfolge.
5. Befolgen Sie die in 4.4 *Ausklappen des Spreizbügels*, Seite 45 aufgeführten Schritte in umgekehrter Reihenfolge.
6. Befolgen Sie die in 4.3.2 *Montage des Masts auf der Basis*, Seite 45 aufgeführten Schritte in umgekehrter Reihenfolge.

### 7.3 Einklappen des Masts

(nur klappbarer Mast)

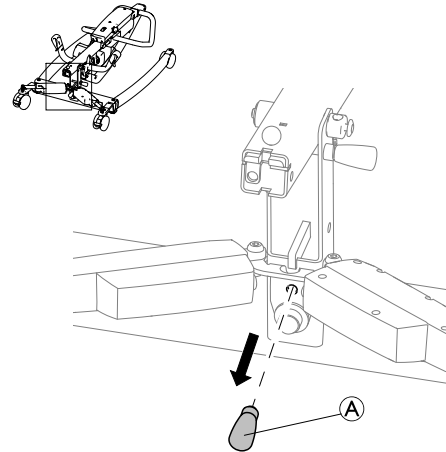
1. Entfernen Sie den optionalen Hebel für die Fahrgestellspreizung, falls vorhanden.
2. Senken Sie den Ausleger ab und fahren Sie beiden Fußschiene vollständig ein.
3. Betätigen Sie die Notaus-Taste und stellen Sie die Bremsen der Rollen fest.
4. Befolgen Sie die in 4.5 *Montage des Verstellmotors am Ausleger*, Seite 46 aufgeführten Schritte in umgekehrter Reihenfolge.
5. Befolgen Sie die in 4.4 *Ausklappen des Spreizbügels*, Seite 45 aufgeführten Schritte in umgekehrter Reihenfolge.
6. Befolgen Sie die in 4.3.1 *Auseinanderklappen des Masts*, Seite 44 aufgeführten Schritte in umgekehrter Reihenfolge und halten Sie den Sicherungsverschluss ⑥ nach oben, ehe Sie den Mast einklappen.

### 7.4 Mastverlängerung für aufrechte Positionierung

(nur Birdie EVO)

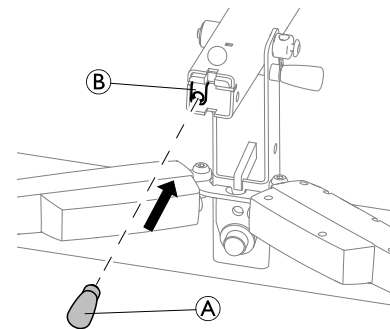
Eine mitgelieferte magnetische Mastverlängerung ermöglicht eine aufrechte Positionierung, wenn der Patientenlifter mit einer elektrischen Fahrgestellspreizung ausgestattet ist.

1.



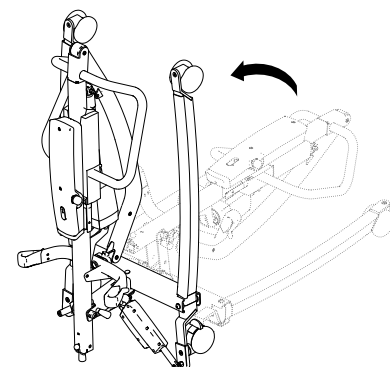
Entnehmen Sie die Mastverlängerung ① aus ihrer Aufbewahrungsposition an der Basis des Patientenlifters.

2.



Führen Sie die Mastverlängerung ① in die Halterung ② an der Unterseite des eingeklappten Masts ein.

3.



Der zusammengeklappte Patientenlifter kann nun in eine aufrechte Position gebracht werden.

## 8 Instandhaltung

### 8.1 Allgemeine Hinweise zur Instandhaltung



#### VORSICHT!

##### Gefahr von Verletzungen oder Sachschäden

- Während des Gebrauchs des Produkts keine Wartungs- oder Servicearbeiten durchführen.

Die in diesem Handbuch beschriebenen Wartungsvorschriften befolgen, um das Produkt jederzeit in betriebsfähigem Zustand zu halten.

Weitere Wartungs- und Inspektionsarbeiten, die von einem qualifizierten Techniker durchgeführt werden müssen, sind im Servicehandbuch zu diesem Produkt beschrieben. Servicehandbücher sind bei Invacare erhältlich.

### 8.2 Tägliche Überprüfungen



#### WARNUNG!

##### Gefahr von Verletzungen oder Sachschäden

- Beschädigte oder verschlissene Teile können die Sicherheit des Lifters beeinträchtigen.
- Der Patientenlifter sollte bei jeder Verwendung geprüft werden.
  - Falls Sie Schäden feststellen oder Zweifel an der Sicherheit eines Teils haben, verwenden Sie den Lifter nicht. Setzen Sie sich umgehend mit Ihrem zuständigen Invacare-Anbieter in Verbindung. Stellen Sie außerdem sicher, dass der Lifter erst dann wieder verwendet wird, wenn die Reparaturmaßnahmen abgeschlossen sind.

#### Checkliste für die tägliche Überprüfung

- Unterziehen Sie den Patientenlifter einer Sichtkontrolle. Prüfen Sie alle Teile auf äußerliche Beschädigungen oder Verschleiß.
- Überprüfen Sie alle Bauteile, Befestigungspunkte und beanspruchten Teile, wie z. B. Patientengurte, Haken und alle Drehpunkte, auf Anzeichen von Verschleiß, durchgescheuerte Stellen, Verformungen und Abnutzung.
- Vergewissern Sie sich, dass das Handbedienteil funktioniert (für Anhebevorgänge und zum Bewegen der Fußschiene).
- Laden Sie den Akku jeden Tag auf, an dem der Lifter in Gebrauch ist.
- Überprüfen Sie die Notaus-Funktion.
- Überprüfen Sie die Serviceanzeige (nur CBJ Care-Steuerungseinheit).



Die Serviceanzeige wird durch ein Schraubenschlüssel-Symbol auf der Steuerungseinheit und ggf. auf dem Handbedienteil dargestellt.

- Wenn die Serviceanzeige gelb blinkt, muss der Lifter gewartet werden. Verwenden Sie den Lifter nicht, sondern wenden Sie sich bzgl. einer Wartung an Ihren Invacare-Anbieter.
- Wenn die Serviceanzeige nicht blinkt, ist der Lifter einsatzbereit.

## 8.3 Reinigung und Desinfektion

### 8.3.1 Allgemeine Sicherheitsinformationen



#### VORSICHT!

##### Kontaminationsgefahr

- Vorkehrungen für sich selbst treffen und geeignete Schutz-ausrüstung verwenden.



#### VORSICHT!

##### Gefahr von Stromschlag und Beschädigung des Produkts

- Das Gerät ggf. ausschalten und vom Netz trennen.
- Bei der Reinigung von elektronischen Bauteilen ist zu beachten, welche Schutzart (Schutz gegen eindringendes Wasser) diese besitzen.
- Sicherstellen, dass kein Wasser auf den Netzstecker oder die Steckdose gelangt.
- Die Steckdose nicht mit nassen Händen berühren.



#### WICHTIG!

Falsche Reinigungsmethoden oder -flüssigkeiten können zu einer Beschädigung des Produkts führen.

- Alle verwendeten Reinigungs- und Desinfektionsmittel müssen wirksam und miteinander verträglich sein und das Material schützen, das mit ihnen gereinigt wird.
- Keinesfalls korrodierende Flüssigkeiten (Laugen, Säuren usw.) oder scheuernde Reinigungsmittel verwenden. Wenn in der Reinigungsanleitung nichts anderes angegeben ist, empfehlen wir ein handelsübliches Haushaltsreinigungsmittel (z. B. Geschirrspülmittel).
- Niemals Lösungsmittel (Nitroverdünnung, Aceton usw.) verwenden, die die Struktur des Kunststoffes verändern oder die angebrachten Etiketten angreifen.
- Immer sicherstellen, dass das Produkt absolut trocken ist, bevor es wieder in Gebrauch genommen wird.



Zur Reinigung und Desinfektion in Langzeitpflegeumgebungen oder klinischen Umgebungen die hausinternen Verfahren beachten.

### 8.3.2 Reinigungsintervalle



#### WICHTIG!

Regelmäßige Reinigung und Desinfektion sorgen für einen reibungslosen Betrieb, verlängern die Nutzungsdauer und verhindern Verunreinigungen. Reinigen und desinfizieren Sie das Produkt

- regelmäßig, sofern es verwendet wird
- vor und nach jeder Wartung
- nach Kontakt mit Körperflüssigkeiten
- vor Benutzung durch einen neuen Patienten

### 8.3.3 Reinigungsanleitung



#### WICHTIG!

- Das Produkt darf nicht in automatischen Waschanlagen, mit einem Hochdruckreiniger oder mit Dampf gereinigt werden.

#### Reinigen des Lifters

Methode: Wischen Sie die Teile mit einem feuchten Tuch oder einer weichen Bürste ab.

Max. Temperatur: 40 °C

Lösungsmittel/Chemikalien: Haushaltsübliches Reinigungsmittel und Wasser

Trocknen: Wischen Sie die Teile mit einem weichen Tuch trocken.

#### Reinigen des Patientengurts

Hinweise zur Reinigung entnehmen Sie der Waschanleitung auf dem Gurt und der zugehörigen Gebrauchsanweisung.

### 8.3.4 Desinfektionsanleitung



Informationen zu empfohlenen Desinfektionsmitteln und -verfahren finden Sie unter <https://vah-online.de/de/fuer-anwender>.

### Im häuslichen Bereich

Methode: Befolgen Sie die Anwendungshinweise des verwendeten Desinfektionsmittels und desinfizieren Sie alle zugänglichen Oberflächen durch Abwischen.

Desinfektionsmittel: Haushaltsübliches Desinfektionsmittel

Trocknen: Das Produkt an der Luft trocknen lassen.

### In der klinischen und Langzeitpflege

Befolgen Sie Ihre hausinternen Desinfektionsverfahren und verwenden Sie nur die dort angegebenen Desinfektionsmittel und Methoden.

## 8.4 Wartungsintervall



#### WARNUNG!

#### Verletzungsgefahr oder Gefahr von Sachschäden

- Wartungsarbeiten dürfen nur von einem qualifizierten Techniker vorgenommen werden.
- Wenden Sie sich bezüglich Instandhaltung an Ihren Invacare-Anbieter.

Eine Wartung muss mindestens alle 12 Monate erfolgen, sofern in den lokalen Anforderungen nichts anderes angegeben ist.

## 9 Nach dem Gebrauch

### 9.1 Entsorgung



#### **WARNUNG!**

#### **Umweltgefährdung**

Das Produkt enthält Akkus. Das Produkt enthält Substanzen, die die Umwelt schädigen können, wenn sie nicht in Übereinstimmung mit der nationalen Gesetzgebung entsorgt werden.

- Entsorgen Sie die Akkus NICHT über den normalen Haushaltsmüll.
- Akkus MÜSSEN zu einer entsprechenden Annahmestelle gebracht werden. Sie sind von Gesetzes wegen zur Rückgabe verpflichtet. Die Rückgabe von Akkus ist kostenlos.
- Entsorgen Sie nur entladene Akkus.
- Kleben Sie die Anschlussklemmen von Lithium-Akkus vor der Entsorgung ab.
- Informationen zum Akkutyp finden Sie auf dem Akkuaufkleber oder im Kapitel *11 Technische Daten, Seite 65*.

Handeln Sie umweltbewusst, und lassen Sie dieses Produkt nach dem Ende seiner Lebensdauer über eine lokale Müllverwertungsanlage recyceln.

Demontieren Sie das Produkt und seine Bauteile, damit die verschiedenen Materialien einzeln getrennt und recycelt werden können.

Die Entsorgung und das Recycling von gebrauchten Produkten und Verpackungen müssen in Übereinstimmung mit den einschlägigen Gesetzen und Vorschriften des jeweiligen Landes zur Abfallentsorgung erfolgen. Wenden Sie sich an Ihr Abfallentsorgungsunternehmen, wenn Sie weitere Informationen wünschen.

### 9.2 Wiederaufbereitung

Dieses Produkt ist für den Wiedereinsatz geeignet. Um das Produkt für einen neuen Benutzer wiederaufzubereiten, sind die folgenden Maßnahmen zu ergreifen:

- Reinigung und Desinfektion
- Inspektion gemäß Wartungsplan

Ausführliche Informationen zu Inspektion, Reinigung und Desinfektion finden Sie in der Gebrauchsanweisung und im Servicehandbuch zu diesem Produkt.

## 10 Problembehandlung

### 10.1 Erkennen von Mängeln und mögliche Lösungen

Symptome	Fehler	Lösung
Patientenlifter ist locker.	Verbindung zwischen Mast und Basis ist locker.	Beachten Sie die Angaben zum Anbringen des Masts im Abschnitt „Inbetriebnahme“.
	Gestänge der manuellen Fahrgestellspreizung ist locker.	Wenden Sie sich an Ihren zuständigen Invacare-Anbieter.
Rollen/Bremsen sind laut oder schwergängig.	In den Lagern befinden sich Flusen oder Schmutz.	Entfernen Sie Flusen und Schmutz von den Rollen.
Lautes oder trockenes Geräusch von den Drehgelenken.	Drehgelenke sind abgenutzt oder beschädigt.	Wenden Sie sich an Ihren zuständigen Invacare-Anbieter.
Elektrischer Verstellmotor beginnt nicht mit dem Hebevorgang bzw. die Fußschiene öffnen sich nicht, wenn die Taste gedrückt wird.	Handbedienteil oder Verstellmotor sind nicht korrekt angeschlossen.	Schließen Sie das Handbedienteil oder den Verstellmotor korrekt an. Stellen Sie sicher, dass die Anschlüsse ordnungsgemäß sitzen und fest verbunden sind.
	Niedriger Ladestand des Akkus.	Laden Sie den Akku. Siehe 5.7 Aufladen des Akkus, Seite 50
	Notaus-Taste wurde gedrückt.	Drehen Sie die Notaus-Taste im Uhrzeigersinn, bis sie herauskommt.
	Akku nicht korrekt in die Steuerungseinheit eingesetzt.	Setzen Sie den Akku erneut in die Steuerungseinheit ein. Siehe 5.7.4 Optionales Akkuladegerät, Seite 52
	Die Verbindungsklemmen sind beschädigt.	Wenden Sie sich an Ihren zuständigen Invacare-Anbieter.
	Netzkabel mit Steckdose verbunden.	Ziehen Sie das Netzkabel aus der Steckdose.
	Ausleger oder Schenkel-Verstellmotor ist beschädigt.	Wenden Sie sich an Ihren zuständigen Invacare-Anbieter.
	Max. Last ist überschritten	Verringern Sie die Last.
Ungewöhnliches Geräusch vom Verstellmotor.	Verstellmotor ist beschädigt.	Wenden Sie sich an Ihren zuständigen Invacare-Anbieter.
Ausleger senkt sich in oberster Position nicht ab.	Für den Ausleger ist eine minimale Gewichtslast erforderlich, damit er sich aus der obersten Position absenkt.	Ziehen Sie den Ausleger leicht nach unten.
Die Steuerungseinheit gibt ein kurzes akustisches Signal während des Anhebens aus und der Motor unterbricht den Betrieb.	Max. Last ist überschritten	Last reduzieren (der Lifter funktioniert normal).

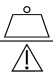


Wenden Sie sich an Ihren Invacare-Anbieter, falls das Problem nicht durch die oben aufgeführten Schritte behoben werden kann.

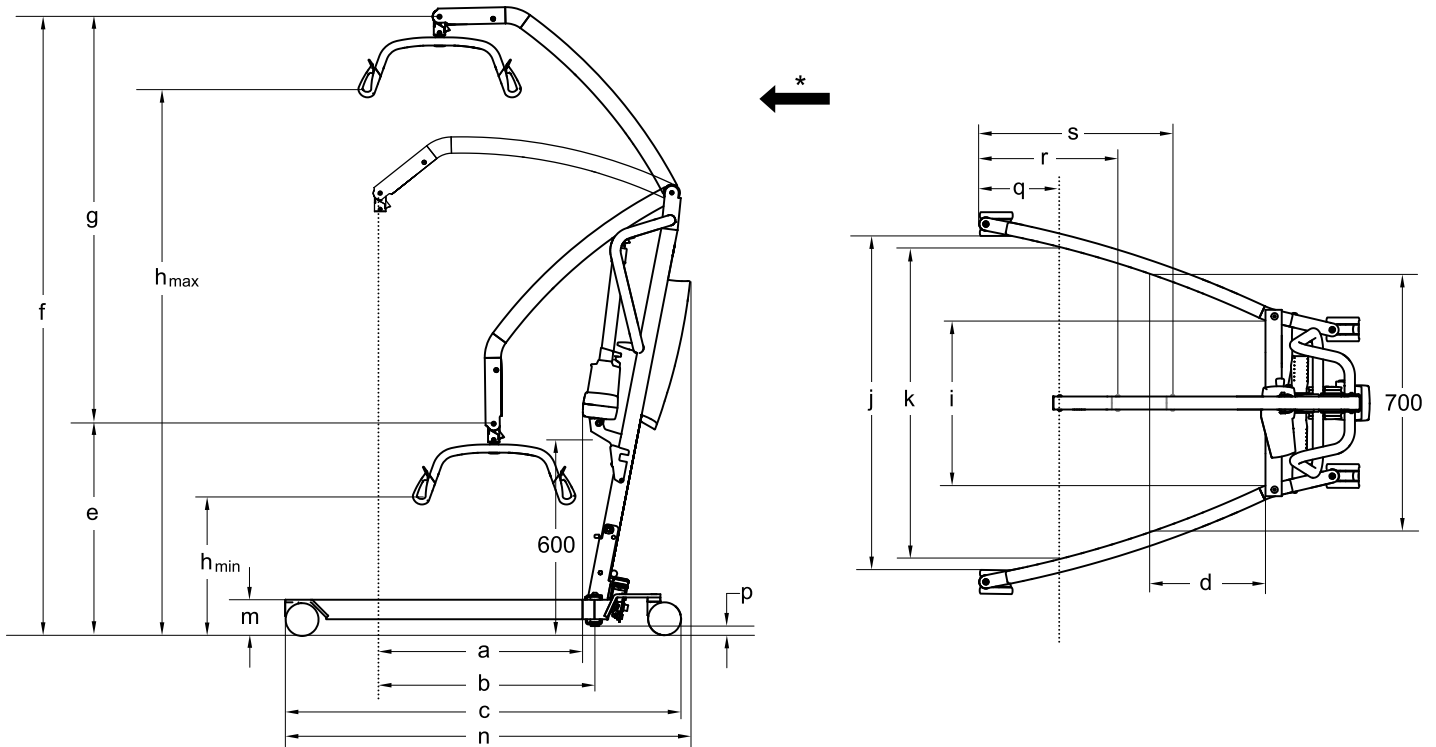


## 11 Technische Daten

### 11.1 Maximale Tragfähigkeit

	Birdie® EVO	Birdie® EVO COMPACT	Birdie® EVO PLUS	Birdie® EVO XPLUS
Max. Tragfähigkeit (Patient + Spreizbügel + Patientengurt)	180 kg	150 kg	180 kg	210 kg

### 11.2 Abmessungen und Gewichte




\* Vorwärtsrichtung

Abmessungen [mm]	Birdie® EVO		Birdie® EVO COMPACT		Birdie® EVO PLUS / XPLUS
Durchmesser vordere/hintere Schwenkrollen	75 / 75	100 / 100	75 / 75	100 / 100	100 / 125
Max. Reichweite bei 600 mm (a)	630	630	530	530	630
Max. Reichweite von der Basis (b)	630	630	530	530	630
Länge der Basis (c)	1200	1220	1060	1080	1280
Gesamtlänge (n)	1250	1250	1100	1100	1280
Reichweite von der Basis mit Fahrgestellspreizung bis 700 mm (d)	225	225	420	420	225
ZAP* Mindesthöhe/tiefste Position (e)	630	645	730	745	645
ZAP* maximale Höhe (f)	1870	1885	1805	1820	1885
Hebebereich (g)	1240	1240	1060	1060	1240
Minimale Höhe beim Einhängen des Patientengurts ( $h_{min}$ )	400	415	515	530	415
Max. Höhe beim Einhängen des Patientengurts ( $h_{max}$ )	1645	1660	1575	1590	1660
Gesamtbreite (Fußschiene geöffnet) zwischen den Schwenkrollen	1100	1100	890	890	1100
Gesamtbreite (Fußschiene geöffnet), Innenmaß (j)	1040	1020	835	815	1020

Abmessungen [mm]	Birdie® EVO		Birdie® EVO COMPACT		Birdie® EVO PLUS / XPLUS
Gesamtbreite (Fußschienen geschlossen), Außenmaß	640	640	520	520	640
Min. Innenbreite (i)	495	495	380	380	495
Innenbreite bei maximaler Reichweite (k)	960	960	765	765	960
Wendekreis	1400	1400	1070	1070	1430
Höhe bis zur Oberkante der Fußschienen (m)	100	115	100	115	115
Min. Bodenfreiheit (p)	20	35	20	35	35
Mindestabstand zwischen Wand und ZAP* bei maximaler Ausladung (Fußschienen geöffnet) (q)	245	245	210	210	245
Mindestabstand zwischen Wand und ZAP* bei maximaler Höhe (Fußschienen geöffnet) (r)	410	410	450	450	410
Mindestabstand zwischen Wand und ZAP* bei minimaler Höhe (Fußschienen geöffnet) (s)	615	615	395	395	615
Höhe in zusammengeklapptem Zustand (nur klappbare Ausführung)	455	470	455	470	470
Länge in zusammengeklapptem Zustand (nur klappbare Ausführung)	1300	1320	1190	1210	1360

\* ZAP = Zentraler Suspensionspunkt

 Alle Maße gelten für die Ausstattung mit einem 2-Punkt-Spreizbügel von 450 mm Breite.

Gewicht der Hauptkomponenten [kg]			
	Birdie® EVO	Birdie® EVO COMPACT	Birdie® EVO PLUS / XPLUS
Gesamtgewicht ohne Spreizbügel	40	31	41
Gewicht, Mast, einschließlich Akku, ohne Spreizbügel	19	14	19
Gewicht manuelles Fahrgestell	21	17	k. A.
Gewicht elektrisches Fahrgestell	21	k. A.	22

Gesamtgewicht Spreizbügel [kg]	
Spreizbügel, 2-Punkt, 350 mm	1,3
Spreizbügel, 2-Punkt, 450 mm	1,4
Spreizbügel, 2-Punkt, 550 mm	1,6
Spreizbügel, 4-Punkt, 450 mm	2,8
Spreizbügel, 4-Punkt, 500 mm	2,9
Spreizbügel, 4-Punkt, 550 mm	3,0

### 11.3 Elektrisches System


	Birdie® EVO	Birdie® EVO COMPACT	Birdie® EVO PLUS/XPLUS
Spannungsausgang	24 V DC, max. 250 VA		
Spannungsversorgung	100–240 V AC, 50/60 Hz		
Maximaler Eingangsstrom	400 mA (CBJ1, CBJ2 und CBJ Care) / 280 mA (CBJ Home)	400 mA (CBJ2)/ 280 mA (CBJ Home)	400 mA (CBJ1 und CBJ Care)
Schutzart (gesamte Vorrichtung)	IPX4*		
Schutzklasse	Betriebsmittel der Schutzklasse II		

	Birdie® EVO	Birdie® EVO COMPACT	Birdie® EVO PLUS/XPLUS
Anwendungsteil vom Typ B	Anwendungsteil, das die festgelegten Anforderungen zum Schutz gegen elektrischen Schlag gemäß IEC 60601-1 erfüllt.		
Schallpegel	45–50 dB (A)		
Arbeitsfähigkeit	40 vollständige Patientenlifter (mit Akku zwischen 100 % - 50 % der vollen Kapazität)		
Aussetzbetrieb (periodischer Motorbetrieb)	10 %, max. 2 min/18 min		
Akku-Spezifikation	2 x 12 V/2,9 Ah		
Akku-Typ	Bleisäure (wartungsfrei, versiegelt)		
Manuelle Notabsenkung	Ja (unten am Verstellmotor)	Optional (oben am Verstellmotor)	Ja (unten am Verstellmotor)
Elektrische Notabsenkung/-anhebung	Ja/Ja (CBJ1 und CBJ Care) Ja/Nein (CBJ2 und CBJ Home)	Ja/Nein (CBJ2 und CBJ Home)	Ja/Ja (CBJ1 und CBJ Care)

\*IPx4 – Das System ist gegen allseitiges Spritzwasser geschützt.

## 11.4 Umgebungsbedingungen

	Lagerung und Transport	Verwendung
Temperatur	-10 °C bis +50 °C	+5 °C bis +40 °C
Relative Luftfeuchtigkeit	20 % bis 90 % bei 30 °C, nicht kondensierend	
Luftdruck	800 hPa bis 1060 hPa	

 Das Produkt vor Gebrauch auf Betriebstemperatur aufwärmen/abkühlen lassen.

- Das Aufwärmen von der minimalen Lagertemperatur kann länger als 30 Minuten dauern.
- Das Abkühlen von der maximalen Lagertemperatur kann länger als 5 Minuten dauern.

## 11.5 Materialien

Komponente	Material
Basis, Fußschienen, Mast und Ausleger	Pulverbeschichteter Stahl
Spreizbügel	Edelstahl, pulverbeschichtet und TPU

Komponente	Material
Verstellmotorgehäuse, Handbedienteil, Mastschutzvorrichtung, Schwenkrollen und andere Kunststoffteile	Material entsprechend Markierung (PA, PP, PE)
Ausleger-Anschlussstück, Muttern und Bolzen	Verzinkter Stahl

Alle Komponenten sind entweder korrosionsbeständig oder korrosionsgeschützt.

## 11.6 Betätigungskräfte der Bedienelemente

Bedienelement	Betätigungskraft
Tasten an der Steuerungseinheit	4 N
Tasten am Handbedienteil	4 N
Fußpedal bei 100-mm-Rollen*	290 N
Fahrgestellspreizhebel bei 100-mm-Rollen	45 N
Fahrgestellspreizhebel bei 75-mm-Rollen	50 N

\*Bei Ausstattung mit 75-mm-Rollen ist ein Fahrgestellspreizhebel obligatorisch

## 12 Elektromagnetische Verträglichkeit (EMV)

### 12.1 Allgemeine Informationen zu Elektromagnetischer Verträglichkeit (EMV)

Medizinische elektrische Geräte müssen gemäß den EMV-Informationen in diesem Handbuch installiert und verwendet werden.

Dieses Produkt wurde getestet und erfüllt die in IEC/EN 60601-1-2 für Ausrüstung der Klasse B angegebenen EMV-Grenzwerte.

Tragbare und mobile HF-Kommunikationsgeräte können den Betrieb dieses Produkts beeinträchtigen.

Andere Geräte können selbst durch elektromagnetische Emissionen, die den unteren Grenzwerten gemäß der genannten Norm entsprechen, Störungen empfangen. Schalten Sie dieses Produkt ein und wieder aus, um zu ermitteln, ob die Emissionen des Produkts für die Störung verantwortlich sind. Falls die Störungen des anderen Geräts nicht weiter auftreten, wurden sie von diesem Produkt verursacht. In derartigen seltenen Fällen können die Störungen mit einer der folgenden Maßnahmen abgeschwächt oder behoben werden:

- Stellen Sie das Gerät an einer anderen Position oder einem anderen Standort auf oder vergrößern Sie den Abstand zwischen den Geräten.

### 12.2 Elektromagnetische Emissionen

#### Leitlinien und Herstellererklärung

Dieses Produkt ist zur Verwendung in der nachfolgend definierten elektromagnetischen Umgebung vorgesehen. Der Käufer oder Anwender dieses Produkts muss sicherstellen, dass es in einer solchen Umgebung verwendet wird.

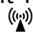
Emissionstest	Konformität	Elektromagnetische Umgebung – Anleitung
HF-Emissionen CISPR 11	Gruppe I	Dieses Produkt nutzt HF-Energie nur für seine internen Funktionen. Aus diesem Grund sind die HF-Emissionen sehr gering und verursachen aller Voraussicht nach keine Störungen bei elektronischen Geräten in der Nähe.
HF-Emissionen CISPR 11	Klasse B	Das Produkt eignet sich für die Verwendung in allen Arten von Einrichtungen, darunter Wohnbereiche und Umgebungen, die direkt mit dem öffentlichen Niederspannungsnetz zur Versorgung von Wohngebäuden verbunden sind.
Oberwellen- emissionen IEC 61000-3-2	Klasse A	
Spannungs- fluktuationen/ Flimmer- Emissionen IEC 61000-3-3	Die Bestimmungen werden eingehalten.	


### 12.3 Elektromagnetische Störfestigkeit

#### Leitlinien und Herstellererklärung

Dieses Produkt ist zur Verwendung in der nachfolgend definierten elektromagnetischen Umgebung vorgesehen. Der Käufer oder Anwender dieses Produkts muss sicherstellen, dass es in einer solchen Umgebung verwendet wird.

Störfestigkeitstest	Test-/ Konformitätswert	Elektromagnetische Umgebung – Anleitung
Elektrostatische Entladung (ESD) IEC 61000-4-2	± 8 kV Kontaktentladung ± 2 kV, ± 4 kV, ± 8 kV, ± 15 kV Luft	Der Fußboden muss aus Holz, Beton oder Keramikfliesen bestehen. Ist der Boden mit synthetischem Material bedeckt, muss die relative Luftfeuchtigkeit mindestens 30 % betragen.
Transiente elektrische Störgrößen/ Bursts IEC 61000-4-4	± 2 kV für Energieleitungen; 100 kHz Wiederholfrequenz ± 1 kV für Eingangs-/ Ausgangsleitungen; 100 kHz Wiederholfrequenz	Die Netzstromqualität muss der einer typischen gewerblichen oder Krankenhausumgebung entsprechen.

Störfestigkeitstest	Test-/ Konformitätswert	Elektromagnetische Umgebung – Anleitung
Stoßspannung IEC 61000-4-5	± 1 kV zwischen Leitungen ± 2 kV zwischen Leitung und Erdung	Die Netzstromqualität muss der einer typischen gewerblichen oder Krankenhausumgebung entsprechen.
Spannungsabfälle, kurze Unterbrechungen und Spannungsschwankungen in den Stromversorgungsleitungen IEC 61000-4-11	< 0 % $U_T$ für halben Zyklus bei 45°-Schritten 0 % $U_T$ für ganze Zyklen 70 % $U_T$ für 25/30 Zyklen < 5 % $U_T$ für 250/300 Zyklen	Die Netzstromqualität muss der einer typischen gewerblichen oder Krankenhausumgebung entsprechen. Benötigt der Anwender dieses Produkts auch bei Unterbrechungen der Stromversorgung Zugriff auf dessen Funktionen, wird empfohlen, das Produkt über eine unterbrechungsfreie Spannungsversorgung oder eine Batterie zu betreiben.  $U_T$ bezeichnet die Nennnetzspannung.
Netzfrequenz (50/60 Hz) Magnetfeld IEC 61000-4-8	30 A/m	Die Störfestigkeit gegen Magnetfelder gilt bei Feldstärken, wie sie in einer typischen gewerblichen oder klinischen Umgebung auftreten können.
Leitungsgeführte HF-Störgrößen IEC 61000-4-6	3 V 150 kHz bis 80 MHz	Feldstärken fester Sender, z. B. Basisstationen für Funktelefone (mobil/schnurlos) und Landfunkgeräte, Amateurfunk, AM- und FM-Sender sowie TV-Sender können nicht genau vorhergesagt werden. Für die Beurteilung der elektromagnetischen Umgebung von ortsfesten HF-Sendern muss eine Standortaufnahme durchgeführt werden. Übersteigt die gemessene Feldstärke am Verwendungsort dieses Produkts den oben genannten HF-Konformitätswert, muss dieses Produkt auf einen normalen Betrieb geprüft werden. Bei nicht normaler Funktion sind weitere Maßnahmen erforderlich, z. B. Neuausrichtung oder Verlagerung des Produkts.
Ausgestrahlte HF-Störgrößen IEC 61000-4-3	6 V in ISM- & Amateur-Funkbändern  10 V/m 80 MHz bis 2,7 GHz  385 MHz - 5785 MHz Testspezifikationen für Störfestigkeit gegen HF-Geräte für kabellose Kommunikation siehe Tabelle 9 der Norm IEC 60601-1-2:2014.	In der Nähe von Geräten, die mit folgendem Symbol gekennzeichnet sind, kann es zu Störungen kommen:   Tragbare und mobile HF-Kommunikationsgeräte müssen mit einem Abstand von mindestens 30 cm zu einem beliebigen Teil dieses Produkts einschließlich der Kabel verwendet werden.

 Diese Richtlinien werden möglicherweise nicht allen Situationen gerecht. Die Ausbreitung elektromagnetischer Felder wird durch Absorption und Reflektion aufgrund von Bauteilen, Objekten und Personen beeinflusst.



# Contenido

Este manual DEBE ser entregado al usuario final. ANTES de usar este producto lea este manual y guárdelo para futuras referencias.

<b>1 Generalidades</b>	<b>72</b>
1.1 Introducción	72
1.1.1 Símbolos en este manual	72
1.2 Vida útil	72
1.2.1 Información adicional	72
1.3 Limitación de responsabilidad	72
1.4 Información sobre la garantía	72
1.5 Cumplimiento	72
1.5.1 Normas específicas del producto	72
<b>2 Seguridad</b>	<b>73</b>
2.1 Información general de seguridad	73
2.1.1 Puntos de pinzamiento	74
2.2 Información de seguridad sobre los accesorios	74
2.3 Información de seguridad sobre interferencias electromagnéticas	74
2.4 Etiquetas y símbolos en el producto	75
2.4.1 Ubicación de etiquetas	75
2.4.2 Etiqueta de identificación	75
2.4.3 Otros símbolos	75
<b>3 Descripción del producto</b>	<b>77</b>
3.1 Uso previsto	77
3.2 Piezas principales de la grúa	77
3.3 Accesorios	77
<b>4 Instalación</b>	<b>78</b>
4.1 Información general de seguridad	78
4.2 Contenido de la entrega	78
4.3 Instalación del mástil	78
4.3.1 Desplegado del mástil	78
4.3.2 Montaje del mástil en la base	79
4.4 Despliegue de la percha	79
4.5 Instalación del pistón en el brazo	80
4.6 Instalación de la palanca para apertura de patas manual	80
4.7 Restablecimiento del indicador de servicio	80
<b>5 Utilización</b>	<b>82</b>
5.1 Información general de seguridad	82
5.2 Bloqueo y desbloqueo de las ruedas traseras	82
5.3 Subida/bajada de una grúa eléctrica	82
5.4 Apertura y cierre de las patas	82
5.4.1 Apertura y cierre de las patas eléctricas	82
5.4.2 Apertura y cierre de las patas manualmente	82
5.5 Sustitución de la percha	82
5.6 Funciones de emergencia	83
5.6.1 Realización de una parada de emergencia	83
5.6.2 Activación de una bajada de emergencia (unidad de control CBJ Home)	83
5.6.3 Activación de una bajada de emergencia (unidad de control CBJ Care, CBJ1, CBJ2)	83
5.6.4 Activación de la subida de emergencia (unidad de control CBJ Care, CBJ1)	83
5.6.5 Activación de un mecanismo de bajada de emergencia	83
5.7 Carga de la batería	84
5.7.1 Unidad de control CBJ Home	84
5.7.2 Unidad de control CBJ Care, CBJ1 y CBJ2	84
5.7.3 Mando opcional	85
5.7.4 Cargador de batería opcional	85
<b>6 Traslado de pacientes</b>	<b>87</b>
6.1 Información general de seguridad	87
6.2 Preparación para levantar al paciente	87
6.2.1 Acoplamiento de la eslinga a la grúa	88
6.3 Traslado de un paciente desde la cama	88
6.4 Traslado de un paciente a la cama	89
6.5 Traslado de un paciente desde una silla de ruedas	90
6.6 Traslado del paciente a una silla de ruedas	90
6.7 Traslado de un paciente al inodoro	91
6.8 Elevación de un paciente que está en el suelo	92
<b>7 Transporte y almacenamiento</b>	<b>93</b>
7.1 Información general	93
7.2 Desmontaje del mástil de la base	93
7.3 Plegado del mástil	93
7.4 Extensión del mástil para colocar la grúa en posición vertical	93
<b>8 Mantenimiento</b>	<b>94</b>
8.1 Información general sobre mantenimiento	94
8.2 Inspecciones diarias	94
8.3 Limpieza y desinfección	94
8.3.1 Información general de seguridad	94
8.3.2 Intervalos de limpieza	94
8.3.3 Instrucciones de limpieza	95
8.3.4 Instrucciones de desinfección	95
8.4 Intervalo de mantenimiento	95
<b>9 Después del uso</b>	<b>96</b>
9.1 Eliminación	96
9.2 Reacondicionamiento	96
<b>10 Solución de problemas</b>	<b>97</b>
10.1 Identificación de fallos y posibles soluciones	97
<b>11 Datos Técnicos</b>	<b>98</b>
11.1 Carga máxima de utilización segura	98
11.2 Dimensiones y pesos	98
11.3 Sistema eléctrico	99
11.4 Condiciones ambientales	100
11.5 Materiales	100
11.6 Fuerzas de accionamiento de los controles	100
<b>12 Compatibilidad electromagnética (EMC)</b>	<b>101</b>
12.1 Información general sobre EMC	101
12.2 Emisiones electromagnéticas	101
12.3 Inmunidad electromagnética	101

# 1 Generalidades

## 1.1 Introducción

Este manual del usuario contiene información importante sobre la manipulación del producto. Para garantizar su seguridad al utilizar el producto, lea detenidamente el manual del usuario y siga las instrucciones de seguridad.

Tenga en cuenta que puede haber secciones que no sean relevantes para su producto, ya que este documento se aplica a todos los modelos disponibles (en la fecha de impresión). A no ser que se indique lo contrario, cada una de las secciones de este documento hace referencia a todos los modelos del producto.

Los modelos y las configuraciones disponibles en su país pueden encontrarse en los documentos de venta específicos del país.

Invacare se reserva el derecho a modificar las especificaciones del producto sin previo aviso.

Antes de leer este documento, asegúrese de contar con la versión más reciente. Podrá encontrarla en formato PDF en el sitio web de Invacare.

Si la versión impresa del documento tiene un tamaño de letra que le resulta difícil de leer, podrá descargarlo en formato PDF en el sitio web. Podrá ampliar el PDF en pantalla a un tamaño de letra que le resulte más cómodo.

Para obtener más información sobre el producto (por ejemplo, avisos de seguridad y retiradas de productos), póngase en contacto con su representante de Invacare. Consulte las direcciones al final de este documento.

En caso de un accidente grave con el producto, informe al fabricante y a las autoridades competentes de su país.

### 1.1.1 Símbolos en este manual

En este manual se utilizan símbolos y señales que hacen referencia a peligros o usos poco seguros que pueden provocar lesiones o daños a la propiedad. A continuación, se muestran las descripciones de estos símbolos.



#### ADVERTENCIA

Indica una situación peligrosa que, si no se evita, podría tener como consecuencia la muerte o lesiones graves.



#### PRECAUCIÓN

Indica una situación peligrosa que, si no se evita, podría tener como consecuencia lesiones menos graves.



#### IMPORTANTE

Indica una situación peligrosa que, si no se evita, podría tener como consecuencia daños a la propiedad.



#### Consejos y recomendaciones

Proporciona consejos útiles, recomendaciones e información para un uso eficiente y sin problemas.

## 1.2 Vida útil

La vida útil prevista para este producto es de ocho años, siempre y cuando se utilice diariamente y en conformidad con las instrucciones de seguridad y se respeten los intervalos de mantenimiento y las instrucciones de cuidado indicadas en el presente manual. La vida útil real puede variar en función de la frecuencia y la intensidad del uso.

### 1.2.1 Información adicional

La vida útil prevista se basa en una media estimada de cuatro ciclos de elevación por día.

## 1.3 Limitación de responsabilidad

Invacare no se hace responsable de los daños surgidos por:

- Incumplimiento del manual del usuario
- Uso incorrecto
- Desgaste natural
- Montaje o instalación incorrectos por parte del comprador o de terceros
- Modificaciones técnicas
- Modificaciones no autorizadas y/o uso de recambios inadecuados

## 1.4 Información sobre la garantía

Ofrecemos la garantía del fabricante del producto conforme a nuestras Condiciones generales y Condiciones comerciales en los distintos países.

Las reclamaciones relativas a la garantía solo pueden efectuarse a través del distribuidor en el que se adquirió el producto.

## 1.5 Cumplimiento

La calidad es fundamental para el funcionamiento de nuestra empresa, que trabaja conforme a las normas ISO 13485.

Este producto lleva la marca CE, en cumplimiento con el Reglamento 2017/745 sobre productos sanitarios de clase 1. La fecha de lanzamiento de este producto figura en la declaración de conformidad CE.

Trabajamos continuamente para garantizar que se reduzca al mínimo el impacto medioambiental de la empresa, tanto a nivel local como global.

Solo utilizamos materiales y componentes que cumplen con el reglamento REACH.

Cumplimos con las leyes medioambientales RAEE y RoHS actuales.

### 1.5.1 Normas específicas del producto

Este producto se ha sometido a pruebas y cumple con la norma ISO 10535 (Grúas para el traslado de personas con discapacidad) y todos los estándares relacionados.

Para obtener más información sobre las normativas locales, póngase en contacto con el representante local de Invacare. Consulte las direcciones al final de este documento.



## 2 Seguridad

### 2.1 Información general de seguridad

En esta sección del manual, se incluye información general de seguridad sobre el producto. Para obtener información específica, consulte la sección correspondiente del manual y los procedimientos que en ella se describan.



#### ¡ADVERTENCIA!

##### Riesgo de daños o lesiones

- No utilice este producto ni ningún otro equipo opcional disponible sin antes haber leído y comprendido estas instrucciones y cualquier otro material informativo adicional, como manuales del usuario u hojas de instrucciones, que se proporcione con este producto o con un equipo opcional. Si tiene alguna duda relacionada con las advertencias, precauciones o instrucciones, póngase en contacto con un profesional sanitario, el proveedor de Invacare o un técnico cualificado antes de intentar utilizar este producto.
- No realice modificaciones ni alteraciones no autorizadas en el producto.



#### ¡ADVERTENCIA!

##### No deberá sobrepasarse la carga máxima de utilización segura

- No sobrepase la carga máxima de utilización segura de este producto ni de los accesorios empleados, como eslingas, perchas, etc. Consulte en la documentación o el etiquetado la carga máxima de utilización segura indicada.
- El componente con el límite de carga más bajo determina la carga máxima de utilización segura de todo el sistema.



#### ¡ADVERTENCIA!

##### Riesgo de daños o lesiones

- Un uso incorrecto de este producto puede provocar lesiones o daños.
- No intente realizar ningún traslado sin contar con la aprobación del profesional sanitario a cargo del paciente.
  - Lea las instrucciones de este manual del usuario y vea cómo el personal cualificado realiza los procedimientos de traslado. Posteriormente, practique estos procedimientos de traslado bajo supervisión y con una persona capacitada que haga de paciente.
  - Se deberá tener especial cuidado con las personas con discapacidades que no puedan colaborar mientras se las traslade.
  - No utilice la grúa como dispositivo de transporte. Su finalidad es trasladar al paciente de una superficie de descanso a otra.



#### ¡ADVERTENCIA!

##### Riesgo de daños o lesiones

- La manipulación inapropiada de los cables podría causar descargas eléctricas y fallos en el producto.
- No enrosque, corte ni altere de ningún otro modo los cables del producto.
  - Compruebe que ningún cable esté atascado o dañado al utilizar el producto.
  - Compruebe que el cableado es correcto y que las conexiones son adecuadas.
  - No utilice equipos no autorizados.



#### ¡ADVERTENCIA!

##### Riesgo de daños o lesiones

- El exceso de humedad puede dañar el producto y causar descargas eléctricas.
- La grúa puede utilizarse en la zona de ducha o baño, pero NO bajo el agua. El paciente deberá trasladarse a una silla de ducha o se deberá utilizar otro medio adecuado para el baño.
  - Si la grúa se utiliza en un entorno húmedo, asegúrese de eliminar cualquier resto de humedad tras utilizarla.
  - No enchufe ni desenchufe el cable de alimentación en entornos húmedos ni con las manos mojadas.
  - No guarde el producto mojado ni en un sitio húmedo.
  - Inspeccione periódicamente todos los componentes del producto para asegurarse de que no presenten signos de corrosión ni daños. Sustituya las piezas que estén corroídas o dañadas.
  - Consulte *11.4 Condiciones ambientales, página 100*



#### ¡ADVERTENCIA!

##### Riesgo de daños o lesiones

- Las fuentes de ignición pueden provocar quemaduras o provocar un incendio.
- El traslado de pacientes se debe realizar dejando un espacio de seguridad entre la grúa y las posibles fuentes de ignición (calefacción, cocina, chimenea, etc.)
  - El paciente y los cuidadores no deben fumar durante el traslado.
  - La eslinga no debe colocarse sobre fuentes de calor (calefacción, cocina, chimenea, etc.)



#### ¡ADVERTENCIA!

##### Riesgo de daños o lesiones

- Para evitar lesiones o daños al utilizar el producto:
- Es necesario supervisar de cerca el producto cuando se utiliza cerca de niños o mascotas.
  - No permita que los niños jueguen con el producto.



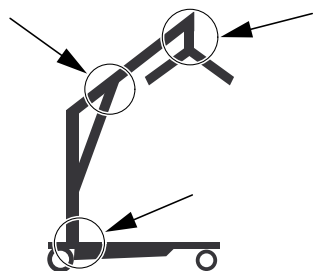
#### ¡PRECAUCIÓN!

##### Riesgo de daños o lesiones

- El producto puede calentarse si se expone a la luz solar o a otras fuentes de calor.
- No exponga el producto a la luz solar directa durante periodos de tiempo prolongados.
  - Mantenga el producto alejado de fuentes de calor.

**!** **¡IMPORTANTE!**

La acumulación de pelusas, polvo u otro tipo de suciedad puede dañar el producto.  
 – Mantenga limpio el producto.

**2.1.1 Puntos de pinzamiento****¡ADVERTENCIA!****Riesgo de lesiones**

La grúa tiene varios puntos de unión, lo que supone un riesgo para los dedos.

– Mantenga siempre las manos y los dedos alejados de las piezas móviles.

**2.2 Información de seguridad sobre los accesorios****¡PRECAUCIÓN!****Riesgo de lesiones**

El uso de accesorios incorrectos o que no sean originales puede afectar al funcionamiento y la seguridad de este producto.

- Dadas las diferencias regionales existentes, consulte en el sitio web o en el catálogo local de Invacare los accesorios disponibles o póngase en contacto con el proveedor de Invacare.
- Consulte el manual que se suministra con el accesorio para obtener más información e instrucciones.
- Utilice exclusivamente accesorios originales adecuados para el producto en uso. En algunos casos, se pueden utilizar eslingas de otros fabricantes. Consulte esta sección para obtener más información.
- Es necesario que, antes de utilizar el equipo de elevación, un profesional realice una evaluación de riesgos. En esta evaluación de riesgos, es importante tener en cuenta la tarea, la persona, la carga, el entorno y el equipo.
- Cuando valore el tipo de traslado que se va a realizar, elija siempre el diseño y el tamaño de eslinga adecuados al peso, tamaño y capacidad física del paciente.

**¡PRECAUCIÓN!****Compatibilidad de las eslingas con el sistema de fijación**

Invacare utiliza un sistema de fijación de uso frecuente que emplea ganchos y anillas. Las anillas de las eslingas se conectan a los ganchos de las perchas (tipo perchero). Por tanto, pueden utilizarse eslingas de otros fabricantes con esta grúa siempre que cumplan los requisitos necesarios.

- Utilice únicamente eslingas que tengan conexiones en forma de anilla y que sean aptas para perchas con ganchos (tipo perchero).
- No utilice eslingas diseñadas para "sistemas de fijación de ojal u horquilla" ni "sistemas de chasis inclinable".

**2.3 Información de seguridad sobre interferencias electromagnéticas****¡ADVERTENCIA!****Riesgo de mal funcionamiento debido a interferencias electromagnéticas**

Las interferencias electromagnéticas entre este producto y otros equipos eléctricos pueden interferir con las funciones de ajuste eléctrico de este producto. Para evitar, reducir o eliminar dichas interferencias electromagnéticas:

- Utilice únicamente cables, accesorios y recambios originales, no aumente la emisión electromagnética ni reduzca la inmunidad electromagnética de este producto.
- No utilice equipos de comunicaciones por radiofrecuencia (RF) portátiles a menos de 30 cm de cualquiera de las piezas de este producto (incluidos los cables).
- No utilice este producto cerca de un equipo quirúrgico de alta frecuencia que esté activo ni de una sala blindada contra señales de radiofrecuencia para la realización de resonancias magnéticas, donde la intensidad de las interferencias electromagnéticas es elevada.
- Si se producen interferencias, aumente la distancia entre este producto y el otro equipo o apáguelo.
- Consulte información detallada y siga las indicaciones del capítulo *12 Compatibilidad electromagnética (EMC)*, página 101

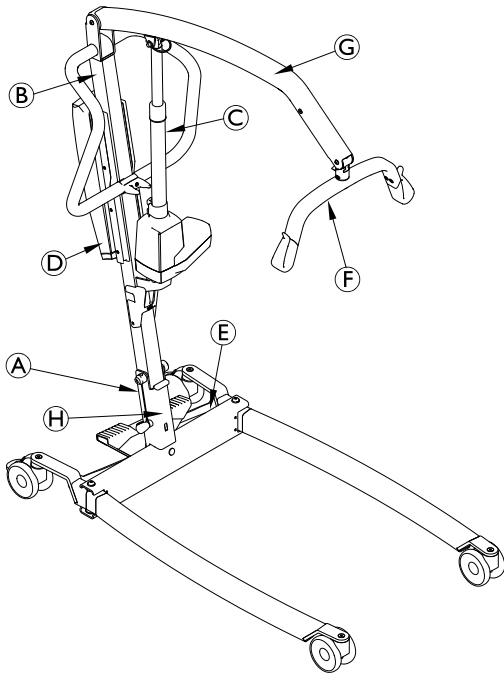
**¡ADVERTENCIA!****Riesgo de mal funcionamiento**

Las interferencias electromagnéticas pueden afectar al funcionamiento.

- No utilice este producto cerca de otros equipos eléctricos ni encima de ellos. Si no es posible separarlos, debe observarlos detenidamente para asegurarse de que funcionan normalmente.

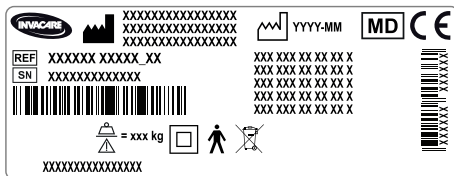
## 2.4 Etiquetas y símbolos en el producto

### 2.4.1 Ubicación de etiquetas



Ⓐ	Etiqueta de identificación
Ⓑ	Etiqueta "Lea el manual del usuario"
Ⓒ	Etiqueta de advertencia en el pistón
Ⓓ	Etiqueta de anulación de garantía, solo en la unidad de control CBJ1 y CBJ2
Ⓔ	Etiqueta de condiciones ambientales y de peso total máximo
Ⓕ	Carga de utilización segura de la percha
Ⓖ	Nombre y carga de utilización segura de la grúa (el texto varía en función del modelo)
Ⓗ	Carga de utilización segura de la grúa; el texto varía en función del modelo (solo mástil fijo)

### 2.4.2 Etiqueta de identificación



La etiqueta de identificación contiene la información principal del producto, incluidos los datos técnicos.

#### Símbolos

<b>SN</b>	Número de serie
<b>REF</b>	Referencia de producto

	Fabricante
	Fecha de fabricación
	Carga máx. de utilización segura
	Equipo de clase II
	Pieza aplicada de tipo B
	Conforme con RAEE
	Conformidad europea
	Producto sanitario



Abreviaturas de los datos técnicos:

- lin: corriente de entrada
- Uin: tensión de entrada
- Int.: intermitencia
- AC: corriente alterna
- Max: máximo/a
- min: minuto

Para obtener más información sobre los datos técnicos, consulte *11 Datos Técnicos, página 98*.

### 2.4.3 Otros símbolos

	Consulte el manual del usuario
	Peso total del producto con la carga máxima de utilización segura aplicada
	No utilice el pistón como una barra de empuje
	No lo retire La garantía quedará anulada si se extrae o se rompe
	Límite de temperatura
	Límite de humedad
	Límite de presión atmosférica

	Condiciones de transporte y almacenamiento
	Condiciones de funcionamiento

## 3 Descripción del producto

### 3.1 Uso previsto

La grúa de elevación es un dispositivo de traslado accionado mediante baterías que se ha diseñado para trasladar a un individuo de una superficie de descanso a otra. Por ejemplo:

- Entre una cama y una silla de ruedas
- Para que pueda usar el inodoro
- Para bajarlo al suelo o levantarlo del suelo

La carga de utilización segura máxima viene indicada en **11 Datos Técnicos, página 98**

La grúa de elevación está diseñada para utilizarse en interiores sobre una superficie nivelada, en hospitales, centros de cuidados y áreas domésticas. La grúa de elevación puede girarse (rotarse) en su posición para los traslados en los que el espacio es limitado.

La persona indicada para utilizar este producto debe ser un profesional sanitario o un individuo con la formación apropiada.

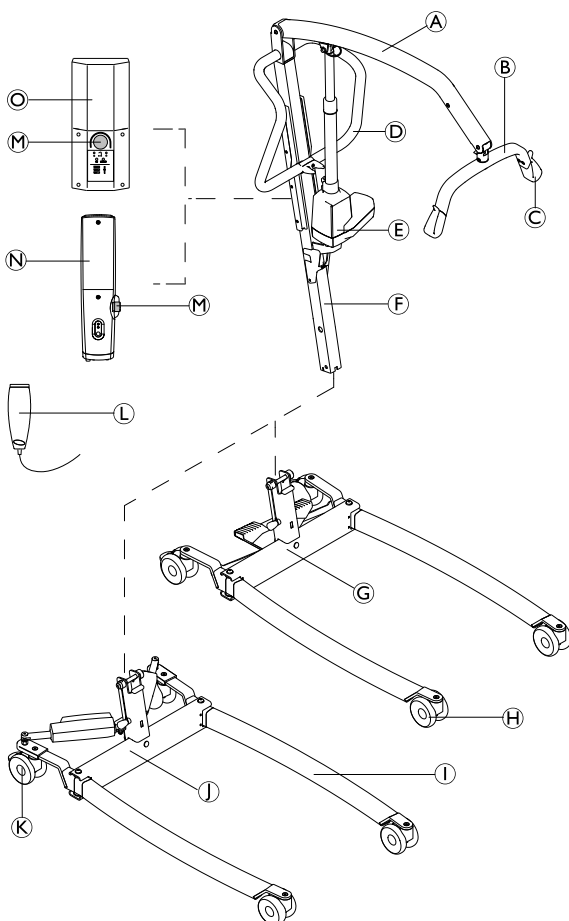
### Indicaciones

La grúa de elevación está indicada para trasladar pacientes con inmovilidad parcial o total que no pueden ser trasladados mediante otros tipos de grúas o sistemas de ayuda.

Todos los cambios de posición son posibles sin la ayuda del paciente.

No existen contraindicaciones conocidas para este producto.

### 3.2 Piezas principales de la grúa



Ⓐ	Brazo
Ⓑ	Percha (con o sin SMARTLOCK™)
Ⓒ	Gancho de la eslinga
Ⓓ	Barra de empuje
Ⓔ	Pistón de elevación
Ⓕ	Mástil (plegable o fijo)
Ⓖ	Base con pedal para apertura de patas manual
Ⓕ	Ruedas delanteras
Ⓖ	Pata
Ⓙ	Base con pistones para apertura de patas eléctrico (con o sin fundas para los pistones)
Ⓚ	Ruedas traseras con freno
Ⓛ	Mando
Ⓜ	Parada de emergencia
Ⓝ	Unidad de control CBJ Home con la batería integrada
Ⓞ	Unidad de control CBJ Care, CBJ1 o CBJ2 control con batería desmontable

### 3.3 Accesorios

**i** Dadas las diferencias regionales existentes, consulte su catálogo o sitio web de Invacare local para informarse sobre los accesorios disponibles o póngase en contacto con su proveedor de Invacare.

- Percha de cuatro puntos (tipo perchero) de 450, 500 o 550 mm de ancho
- Percha de dos puntos (tipo perchero) de 350, 450 o 550 mm de ancho
- Báscula para su montaje con la percha
- Palanca para la apertura de patas manual
- Cargador de pared para batería desmontable
- Batería adicional
- Cubiertas protectoras para las patas
- Acolchado para la percha

Modelos de eslingas con acoplamientos de anilla aptos para perchas con ganchos (tipo perchero):

- Eslingas para sostener todo el cuerpo, sin soporte de cabeza
- Eslingas para sostener todo el cuerpo, con soporte de cabeza
- Eslingas para vestir/inodoro, con o sin soporte de cabeza
- Eslingas para amputados

## 4 Instalación

### 4.1 Información general de seguridad



**¡ADVERTENCIA!**

- Compruebe que todas las piezas le hayan sido entregadas en perfecto estado antes de usarlas.
- Si observa algún desperfecto, no utilice el producto. Póngase en contacto con el proveedor de Invacare para obtener más instrucciones.



**¡ADVERTENCIA!**

**Riesgo de lesiones**

Un montaje incorrecto podría provocar daños o lesiones.

- Cuando monte esta grúa de elevación, utilice únicamente piezas Invacare.
- Después de cada montaje, compruebe que todas las fijaciones están bien apretadas y que todas las piezas funcionan correctamente.
- No apriete excesivamente los componentes de montaje. Podría dañar el soporte de montaje.

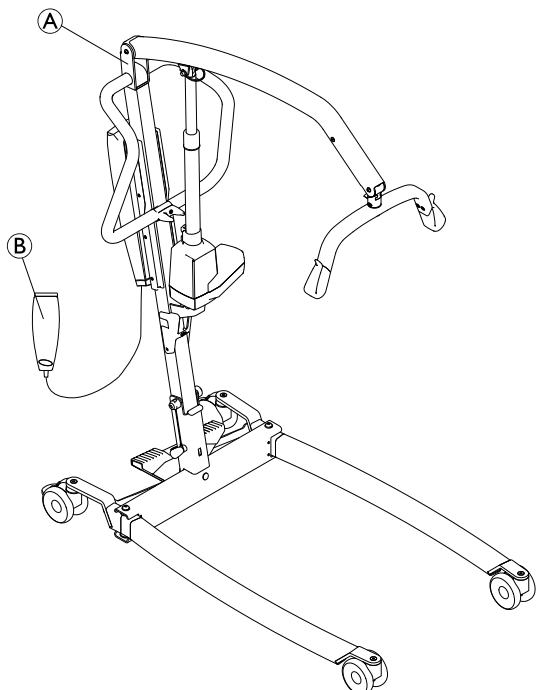


No se necesitan herramientas para montar la grúa de elevación.

Si tiene algún problema o duda durante el montaje, póngase en contacto con el proveedor de Invacare.

### 4.2 Contenido de la entrega

Los artículos incluidos en el embalaje dependen de los modelos y de las configuraciones disponibles en su país. Consulte 1.1 *Introducción*, página 72



(A)	Grúa (incluye la base, el mástil, el brazo, la percha, la unidad de control y los pistones) <ul style="list-style-type: none"> <li>• con un mástil plegable (1 pieza)</li> <li>• con un mástil fijo (2 piezas; la base es una pieza diferente)</li> </ul>
(B)	Mando (1 pieza)
	Cable de alimentación (1 pieza)
	Manual del usuario (1 pieza)
	Batería (1 pieza)*; solo CBJ Care, CBJ1 y CBJ2
	Palanca para la apertura de patas manual (1 pieza)*
	Eslinga (1 pieza)*

\* Depende del modelo y/o la configuración



Si la grúa se suministra con una eslinga, consulte en el manual del usuario de la eslinga las instrucciones de uso, aplicación, mantenimiento y limpieza.

### 4.3 Instalación del mástil

#### 4.3.1 Desplegado del mástil

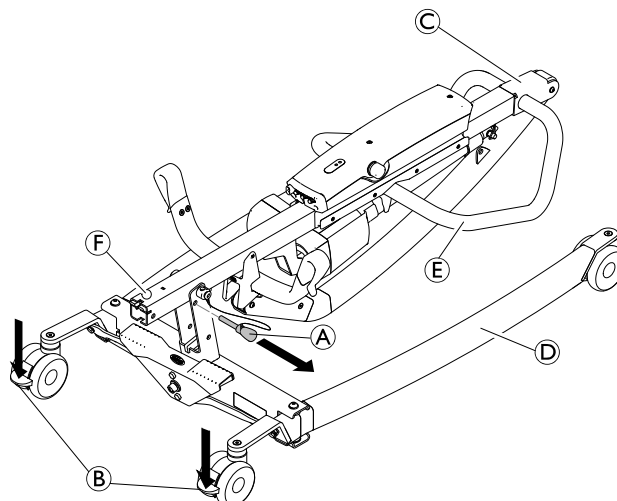
(solo mástiles plegables)



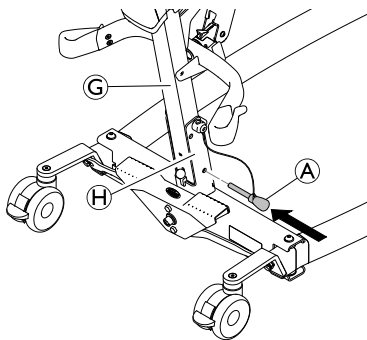
**¡ADVERTENCIA!**

- El mástil puede plegarse para guardarlo o transportarlo. Siempre que se vaya a plegar el mástil, este DEBERÁ estar correctamente fijado al conjunto de la base.
- Compruebe que todas las piezas estén en perfecto estado antes del montaje. Si observa algún desperfecto, no utilice el producto y póngase en contacto con el proveedor de Invacare.
- Asegúrese de que la parada de emergencia esté activada antes del montaje o del desmontaje.
- Levante los componentes con cuidado durante el montaje. Algunas piezas pesan mucho. No olvide adoptar siempre una postura correcta para levantarlos.

Realice el desembalaje y el montaje en el suelo.



1. Bloquee las dos ruedas traseras ②. Quite el pasador de bloqueo ①.
2. Levante el conjunto del mástil ③ hasta dejarlo en posición vertical pisando con un pie la pata ④ y tirando de la barra de empuje ⑤ hacia arriba hasta que el tope de seguridad ⑥ encaje en su sitio.
- 3.



Vuelva a colocar el pasador de bloqueo ① a través del mástil ③ y la base ④. Asegúrese de que el pasador de bloqueo está correctamente insertado.

### 4.3.2 Montaje del mástil en la base

(solo mástil fijo)



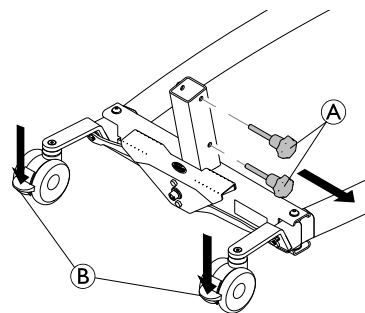
**¡ADVERTENCIA!**

**Riesgo de daños o lesiones**

La carga máxima de utilización segura indicada en la base y en el brazo debe ser la misma.

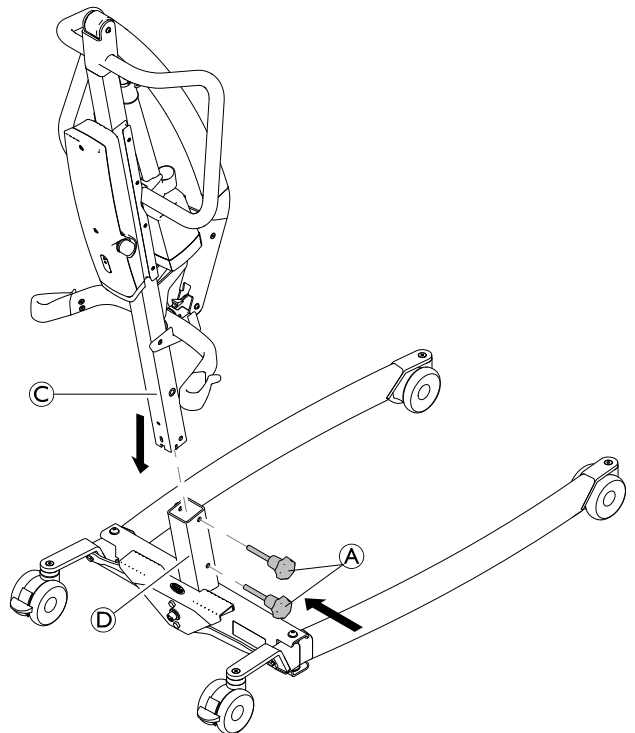
- Compare siempre los valores de carga máxima de utilización segura indicada en la base y en el brazo.

- 1.



Bloquee las dos ruedas traseras ② y gire los tornillos manuales hacia la izquierda ① para extraerlos de la base.

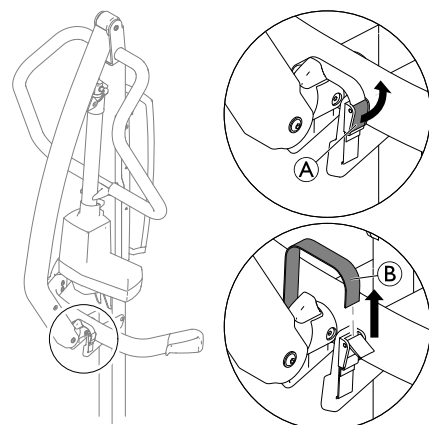
- 2.



Con el brazo orientado hacia delante, baje el mástil ③ e insértelo en el soporte de la base ④. A continuación, vuelva a colocar los tornillos manuales ① para fijar el mástil ③ a la base.

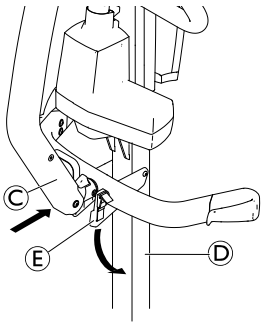
### 4.4 Despliegue de la percha

- 1.



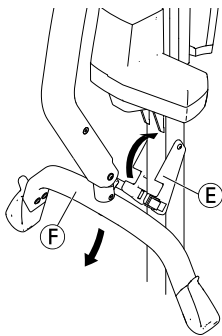
Abra el cierre ① y retire la banda ② de la hebilla de sujeción.

2.



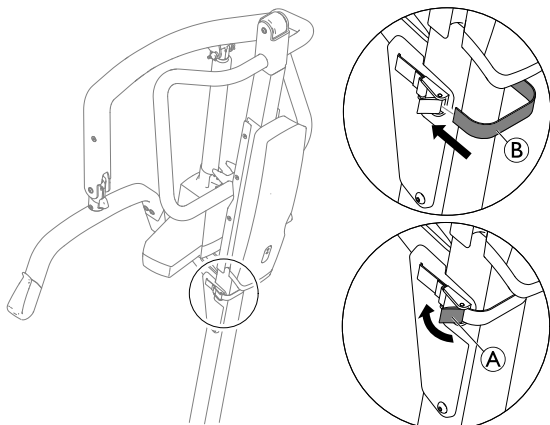
Mantenga presionado el brazo © en dirección al mástil © y baje el soporte de la percha ©.

3.



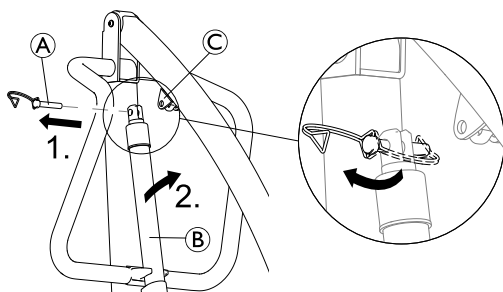
Pliegue la percha © y levante el soporte de la percha ©.

4.

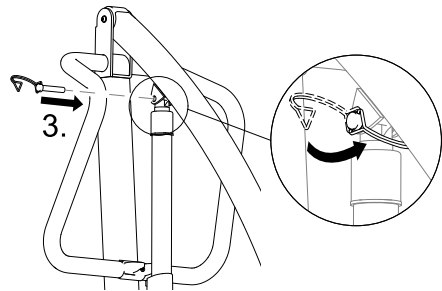


Envuelva la banda © alrededor de la parte posterior del mástil, insértelo en la hebilla de fijación y coloque el cierre ©.

#### 4.5 Instalación del pistón en el brazo



1. Suelte la horquilla en forma de D y quite el pasador © del pistón ©.
2. Retire el pistón © del soporte del mástil y fíjelo al soporte de montaje del brazo ©.
- 3.



Alinee los orificios y vuelva a instalar el pasador ©. Asegúrese de que el pasador está completamente insertado y fíjelo con la horquilla en forma de D.



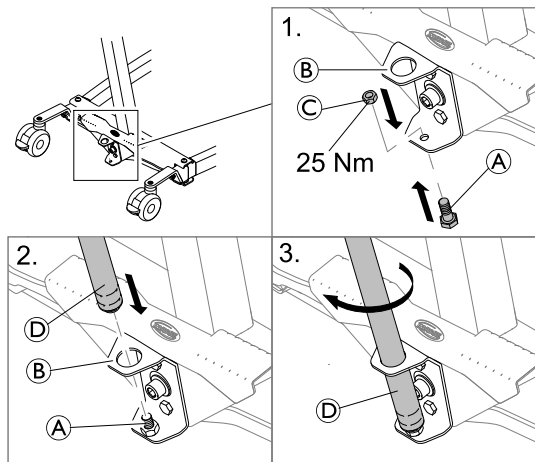
#### IMPORTANTE

Debido a las cargas más elevadas, el modelo Birdie® EVO XPLUS requiere un pasador más largo.  
– Utilice el modelo Birdie® EVO XPLUS con el pasador más largo, indicado con una horquilla negra en forma de D.

#### 4.6 Instalación de la palanca para apertura de patas manual



Dos llaves inglesas de 13 mm



1. Introduzca el tornillo © por abajo en el orificio inferior del soporte © y fíjelo con la tuerca ©.
2. Introduzca el extremo roscado de la palanca © a través del orificio superior del soporte © en el tornillo fijo ©.
3. Gire la palanca © hacia la derecha para apretarla en el tornillo.

#### 4.7 Restablecimiento del indicador de servicio

(solo en la unidad de control CBJ Care)



#### IMPORTANTE

Si la luz de servicio parpadea en color amarillo durante el uso diario o después de una operación de montaje, es necesario reparar la grúa.  
– Póngase en contacto con el proveedor de Invacare para obtener asistencia.



Cuando se monta por primera vez la grúa, el indicador de servicio parpadea en amarillo y debe restablecerse antes de poder utilizar la grúa.

Para efectuar el restablecimiento inicial del indicador de servicio:

1. Localice el mando.
2. Mantenga pulsados al mismo tiempo los botones ARRIBA y ABAJO durante cinco segundos.
3. Escuchará un sonido cuando el indicador de servicio se haya restablecido.

## 5 Utilización

### 5.1 Información general de seguridad



#### ¡ADVERTENCIA!

##### Riesgo de daños o lesiones

Antes de utilizar la grúa con un paciente, consulte las siguientes instrucciones y procedimientos de seguridad:

- 2 Seguridad, página 73
- 6 Traslado de pacientes, página 87

### 5.2 Bloqueo y desbloqueo de las ruedas traseras

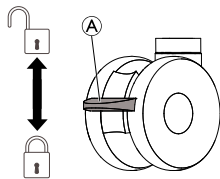


#### ¡ADVERTENCIA!

##### Riesgo de daños o lesiones

La grúa podría volcar y poner en peligro al paciente y a los cuidadores.

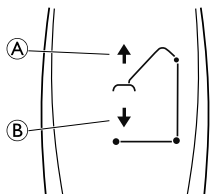
- Invacare recomienda que las ruedas traseras permanezcan desbloqueadas durante los procedimientos de elevación para que la grúa de elevación pueda estabilizarse cuando se levanta inicialmente al paciente de una silla, una cama o cualquier objeto fijo.
- Invacare solamente recomienda bloquear las ruedas traseras de la grúa al colocar la eslinga alrededor del paciente o retirarla.



- Para bloquear la rueda, presione hacia abajo el pedal (A) con el pie.
- Para desbloquear la rueda, presione hacia arriba el pedal (A) con el pie.

### 5.3 Subida/bajada de una grúa eléctrica

El mando se utiliza para subir o bajar la grúa.



1. Para subir la grúa, mantenga pulsado el botón ARRIBA (A) para subir el brazo y levantar al paciente.
2. Para bajar la grúa, mantenga pulsado el botón ABAJO (B) para bajar el brazo y al paciente.



Suelte el botón para interrumpir el movimiento de subida o bajada de la grúa.

### 5.4 Apertura y cierre de las patas



#### ¡ADVERTENCIA!

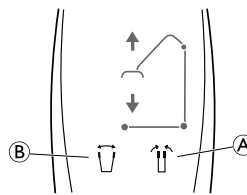
##### Riesgo de lesiones

La grúa podría voltear y poner en peligro tanto al paciente como al cuidador.

- Las patas de la grúa deben estar totalmente abiertas para una óptima estabilidad y seguridad. Si es necesario cerrar las patas de la grúa para maniobrar bajo la cama, hágalo únicamente para colocar la grúa sobre la cama y levantar al paciente sobre la superficie de la cama. Cuando las patas de la grúa no estén ya bajo la cama, vuelva a abrirlas al máximo.

#### 5.4.1 Apertura y cierre de las patas eléctricas

El mando se utiliza para abrir o cerrar las patas de la base.

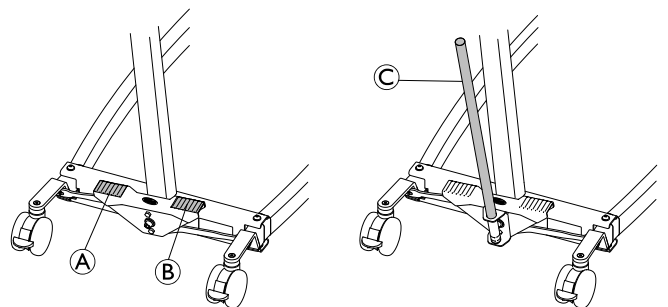


1. Para cerrar las patas, mantenga pulsado el botón de patas cerradas (A).
2. Para abrir las patas, mantenga pulsado el botón de patas abiertas (B).



Las patas dejarán de moverse cuando se suelte el botón.

#### 5.4.2 Apertura y cierre de las patas manualmente



La apertura de patas manual funciona con dos pedales (A y B) o con la palanca (C).

1. Para abrir las patas, presione el pedal derecho (B) con un pie.
2. Para cerrarlas, presione el pedal izquierdo (A) con un pie.

Con la palanca:

1. Para abrir las patas, tire de la palanca (C) hacia la derecha.
2. Para cerrar las patas, presione la palanca (C) hacia la izquierda.

### 5.5 Sustitución de la percha

(solo perchas con SMARTLOCK™)

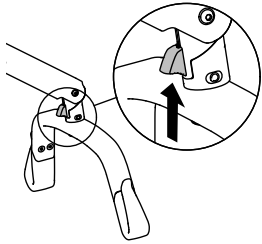


### ¡ADVERTENCIA! Riesgo de lesiones

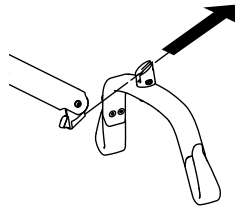
- Utilice únicamente las perchas diseñadas para esta grúa.
- Asegúrese de que la percha es adecuada para el paciente y la grúa o el traslado que se va a realizar.
- Compruebe que la percha está bien fijada al conector del brazo y que no puede extraerse sin presionar el botón de desbloqueo.

### Extracción de la percha

1.



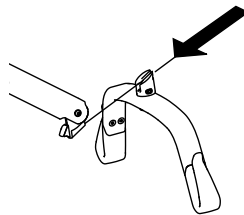
2.



1. Mantenga presionado el botón de desbloqueo.
2. Saque la percha deslizándola hacia delante y ligeramente hacia arriba.

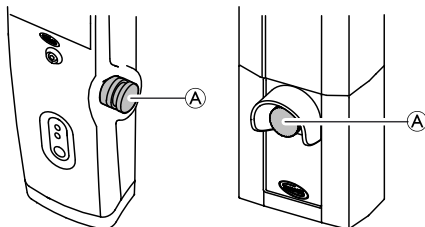
### Montaje de la percha

1. Deslice la percha hasta que escuche un "clic".
2. Compruebe que la percha está bien fijada al conector del brazo y que no puede extraerse sin presionar el botón de desbloqueo.



## 5.6 Funciones de emergencia

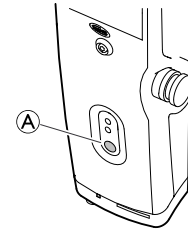
### 5.6.1 Realización de una parada de emergencia



1. Presione el botón de emergencia rojo (A) de la unidad de control para detener el brazo e impedir que el paciente suba o baje.
2. Para desactivar la parada de emergencia, gire el botón de emergencia en el sentido de las agujas del reloj.

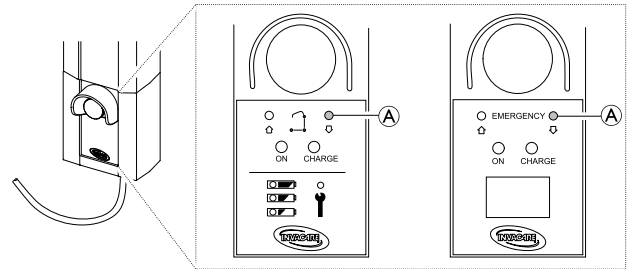
### 5.6.2 Activación de una bajada de emergencia (unidad de control CBJ Home)

Si falla el mando a distancia, el brazo puede bajar con el botón circular para realizar una liberación de emergencia.



1. Baje el brazo manteniendo pulsado el botón (A) situado en la parte delantera de la unidad de control.
2. Interrumpa la bajada del brazo soltando el botón.

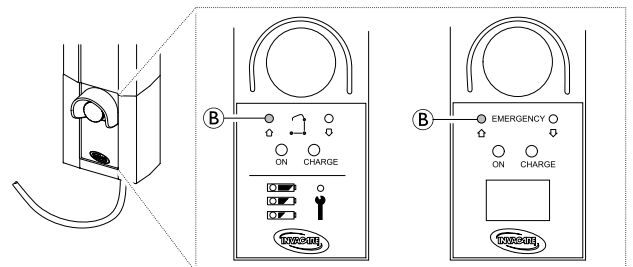
### 5.6.3 Activación de una bajada de emergencia (unidad de control CBJ Care, CBJ1, CBJ2)



Si falla el mando a distancia, el brazo puede bajar con el botón circular para realizar una liberación de emergencia. Utilice un objeto afilado, como un lápiz, para presionar el botón.

1. Baje el brazo manteniendo pulsado el botón (A) situado en la parte delantera de la unidad de control.
2. Interrumpa la bajada del brazo soltando el botón.

### 5.6.4 Activación de la subida de emergencia (unidad de control CBJ1)



En caso de que falle el mando, el brazo puede levantarse con el botón circular de subida de emergencia. Utilice un objeto afilado, como un lápiz, para presionar el botón.

1. Para subir el brazo, mantenga pulsado el botón (B) situado en la parte delantera de la unidad de control.
2. Para interrumpir la subida del brazo, suelte el botón.

### 5.6.5 Activación de un mecanismo de bajada de emergencia

Si la bajada de emergencia de la unidad de control no funciona, dispone alternativamente de una bajada de emergencia mecánica. Esto puede producirse en caso de un fallo de alimentación total o parcial, o bien si queda poca batería durante el uso.



**¡ADVERTENCIA!**

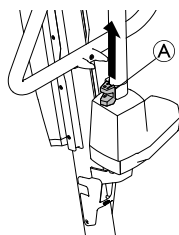
**Riesgo de daños o lesiones**

Si se utiliza repetidamente la bajada de emergencia mecánica, se produce un aumento de la velocidad de bajada.

- Utilice la bajada de emergencia mecánica únicamente como alternativa si la bajada de emergencia de la unidad de control no funciona.
- No utilice la bajada de emergencia mecánica varias veces seguidas.
- Baje siempre al paciente sobre una superficie de apoyo, como una cama o una silla.
- Después de que haya sido necesaria una bajada de emergencia mecánica, compruebe la grúa para solucionar el funcionamiento deficiente de la unidad de control.

**Birdie® EVO y Birdie® EVO PLUS / XPLUS**

1. Localice el asa de emergencia roja (A) en la parte inferior del pistón.
2. Tire lentamente hacia arriba del asa de emergencia roja (A) y manténgala en esa posición cuando se alcance una velocidad de bajada segura.
3. Si no se produce la bajada tirando totalmente del asa de emergencia (A), presione hacia abajo el brazo al mismo tiempo.



La velocidad de bajada eficaz depende del peso del paciente. Si la velocidad es demasiado baja o demasiado alta, se puede adaptar al peso del paciente.

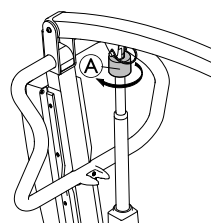
Ajuste de la velocidad de bajada:

1. Localice el tornillo situado en el orificio inferior del asa de emergencia roja (A).
2. Gire el tornillo hacia la izquierda para aumentar la velocidad.
3. Gire el tornillo a la derecha para reducir la velocidad.

**Birdie® EVO COMPACT**

(opcional)

1. Localice el botón de liberación de emergencia (A) en la parte superior del pistón.
2. Gire el botón de liberación de emergencia (A) en el sentido de las agujas del reloj.



**5.7 Carga de la batería**



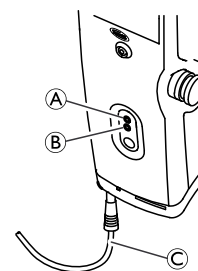
**IMPORTANTE**

- Asegúrese de que la parada de emergencia no esté activada durante la carga de la batería.
- Asegúrese de que la carga tenga lugar en una habitación con buena ventilación.
- Las funciones eléctricas no están operativas cuando la grúa está conectada a la corriente.
- No intente utilizar la grúa si la carcasa de la batería está deteriorada.
- Sustituya la carcasa antes de utilizar el dispositivo de nuevo.
- No mueva la grúa sin desconectarla de la toma de corriente.

Se recomienda cargar la batería diariamente para prolongar su vida útil y garantizar un óptimo funcionamiento de la grúa. Asimismo, se recomienda cargar la batería antes de usarla por primera vez.

**5.7.1 Unidad de control CBJ Home**

La unidad de control emite una señal acústica. Un pitido indica que la batería tiene baja capacidad, pero aún es posible bajar al paciente. Se recomienda cargar las baterías en cuanto se escuche la señal acústica.



1. Enchufe el cable de alimentación (C) en una toma eléctrica.



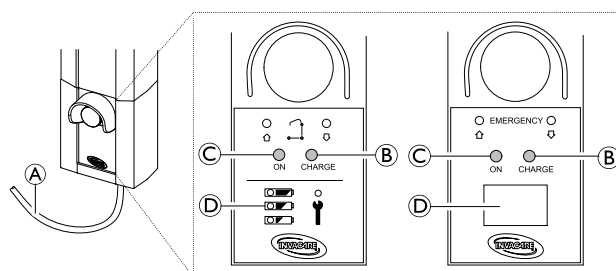
La batería tardará aproximadamente 4 horas en cargarse. El cargador se detendrá automáticamente cuando las baterías estén completamente cargadas.

El diodo amarillo superior (A) parpadeará durante la carga y se quedará encendido cuando las baterías estén completamente cargadas.

El diodo verde inferior (B) permanecerá encendido mientras la unidad de control esté conectada a la red eléctrica y se encenderá cuando se pulse cualquier botón del mando a distancia o cuando se active la bajada eléctrica de emergencia.

2. Desconecte el cable de alimentación de la toma eléctrica cuando la batería se haya cargado por completo.

**5.7.2 Unidad de control CBJ Care, CBJ1 y CBJ2**



La unidad de control emite una señal acústica. Un pitido indica que la batería tiene baja capacidad, pero aún es

posible bajar al paciente. Se recomienda cargar las baterías en cuanto se escuche la señal acústica.

1. Enchufe el cable de alimentación **A** en una toma eléctrica.

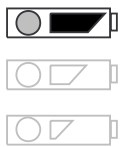
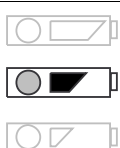
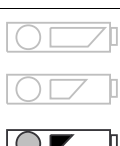
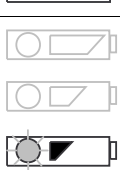
**i** La batería tardará aproximadamente 4 horas en cargarse. El cargador se detendrá automáticamente cuando las baterías estén completamente cargadas. El diodo amarillo de la derecha **B** se mantendrá encendido durante la carga y se apagará cuando el dispositivo esté completamente cargado. El diodo verde de la izquierda **C** permanecerá encendido mientras la unidad de control esté conectada a la red eléctrica.

2. Desconecte el cable de alimentación **A** de la toma eléctrica cuando la batería se haya cargado por completo.

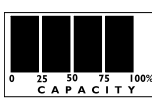
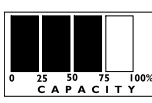
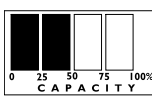
### Indicador de la batería

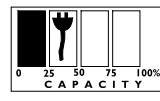
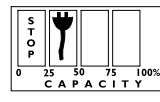
La unidad de control puede estar equipada con un indicador **D** que informa de la capacidad restante de la batería.

#### CBJ Care

Tipo de indicador de la batería	Estado de la batería	Descripción
	Carga completa	El estado de la batería es correcto: no es necesario cargarla (100–50 %). El indicador LED superior es VERDE.
	Carga parcial	La batería debe cargarse (50–25 %). El LED del centro es AMARILLO.
	Carga baja	La batería debe cargarse (menos del 25 %). Cuando se pulsa un botón, suena una señal acústica. El indicador LED inferior es AMARILLO.
	Carga bajo (el indicador LED parpadea)	La batería debe cargarse. Algunas de las funciones de la grúa han dejado de estar operativas y solo se puede bajar el brazo.





#### CBJ1 y CBJ2 con LCD

Tipo de indicador de la batería	Estado de la batería	Descripción
	Carga completa (100 %)	El estado de la batería es correcto: no es necesario cargarla (100 %).
	Carga parcial (75 %)	El estado de la batería es correcto: no es necesario cargarla (75 %).
	Carga parcial (50 %)	La batería debe cargarse (50 %).

Tipo de indicador de la batería	Estado de la batería	Descripción
	Carga baja (25 %)	La batería debe cargarse (25 %). Cuando se pulsa un botón, suena una señal acústica.
	Carga baja (0 %)	La batería debe cargarse. Algunas de las funciones de la grúa han dejado de estar operativas y solo se puede bajar el brazo.

### 5.7.3 Mando opcional

Con la unidad CBJ Care se ofrece un mando opcional con el indicador de batería.

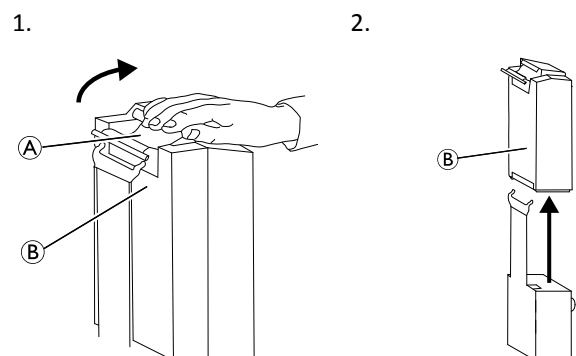
Tipo de indicador de batería	Estado de la batería	Descripción
	Carga completa	El estado de la batería es correcto, no es necesario cargar (100–50 %). El LED derecho se ilumina en VERDE.
	Carga parcial	La batería debe cargarse (50–25 %). El LED del centro se ilumina en AMARILLO.
	Carga baja	La batería debe cargarse (menos del 25 %). Cuando se pulsa un botón, se produce una señal acústica. El LED de la izquierda se ilumina en AMARILLO.
	Carga baja (el indicador LED parpadea)	La batería debe cargarse. Se ha perdido parte de la funcionalidad de la grúa y solo se puede bajar el brazo.

### 5.7.4 Cargador de batería opcional

(solo para unidades de control con baterías desmontables)

**i** El procedimiento para extraer o instalar la batería es el mismo en la unidad de control y el cargador.

#### Extracción de la batería



1. Levante el asidero (A) situado en la parte posterior de la batería (B).
2. Levante la batería para sacarla de la unidad de control o del cargador.

#### Instalación de la batería

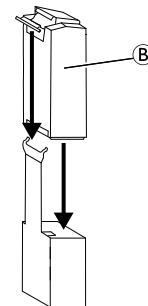


#### ¡PRECAUCIÓN!

La instalación incorrecta de la batería puede causar daños o lesiones.

- Asegúrese de que se oye un “clic” al instalar la batería en la unidad de control o el cargador, lo que indicará que la instalación es correcta.

1. Coloque la batería (B) en la unidad de control o el cargador como se indica y asegúrese de que se oye un “clic”.



Cuando la batería esté instalada en el cargador, se iluminará el LED de carga. Cuando la carga se haya completado, el LED se apagará.

La recarga completa de la batería tarda aproximadamente cuatro horas.

## 6 Traslado de pacientes

### 6.1 Información general de seguridad



**¡ADVERTENCIA!**

**Riesgo de daños o lesiones**

- Un uso incorrecto de este producto puede provocar lesiones o daños.
- Antes de iniciar el traslado a un objeto fijo (una silla de ruedas, una cama, un inodoro u otra superficie), asegúrese de que dicho objeto tiene capacidad suficiente para soportar el peso del paciente.
  - Si procede, será necesario bloquear las ruedas del objeto fijo (silla de ruedas, cama, etc.) antes de bajar o elevar al paciente.



**¡ADVERTENCIA!**

**Riesgo de daños o lesiones**

- Un uso incorrecto de este producto puede provocar lesiones o daños.
- Utilice en todo momento las barras de empuje del mástil para empujar la grúa o tirar de ella.
  - Evite utilizar la grúa en superficies inclinadas. Invacare recomienda utilizar el producto únicamente en superficies planas.
  - Durante el traslado, mientras el paciente esté suspendido de una eslinga sujeta a la grúa, NO lleve la grúa por superficies irregulares que puedan provocar que vuelque.



**¡ADVERTENCIA!**

**Riesgo de daños o lesiones**

- Los daños que sufran las piezas de la grúa (mando, ruedas, etc.) provocados por el impacto contra el suelo, paredes u otros objetos fijos podrían dañar el producto y causar lesiones.
- NO permita que las piezas de la grúa golpeen contra el suelo, paredes u otros objetos fijos.
  - Guarde SIEMPRE el mando adecuadamente cuando no lo use.



**¡ADVERTENCIA!**

**Riesgo de lesiones**

- La percha podría moverse de repente y causar lesiones.
- Al colocar la grúa, tenga en cuenta la posición de la percha y del paciente.



**¡ADVERTENCIA!**

**Riesgo de atrapamiento o estrangulación**

- El cable del mando puede causar lesiones si no está correctamente colocado y asegurado.
- Esté SIEMPRE atento a la posición del cable del mando con respecto al paciente y a los cuidadores.
  - NO permita que el cable del mando se enrede alrededor del paciente y los cuidadores.
  - El mando debe estar correctamente fijado. Guarde SIEMPRE el mando adecuadamente cuando no lo use.



**¡ADVERTENCIA!**

**Riesgo de atrapamiento o estrangulación**

- Los objetos que se encuentran alrededor del paciente pueden causar su atrapamiento o estrangulación durante la elevación. Para evitar atrapamientos o estrangulaciones:
- Antes de proceder a la elevación, asegúrese de que el paciente no esté enredado en ningún objeto de su alrededor.



**¡ADVERTENCIA!**

**Riesgo de atrapamiento**

- Existe riesgo de atrapamiento entre los ganchos de la percha y la eslinga.
- Extremar las precauciones a la hora de levantar al paciente.
  - No ponga NUNCA las manos o los dedos sobre los ganchos o cerca de estos cuando esté levantando al paciente.
  - Asegúrese de que las manos y los dedos del paciente estén alejados de los ganchos antes de proceder a levantarlo.



**¡IMPORTANTE!**

- Todos los procedimientos de traslado que se describen a continuación pueden realizarse con un (1) único asistente. Sin embargo, Invacare recomienda que, siempre que sea posible, estos procedimientos los realicen dos (2) asistentes.

### 6.2 Preparación para levantar al paciente



**¡ADVERTENCIA!**

**Riesgo de lesiones**

- Durante los traslados y la operación de la grúa, el brazo de la grúa puede golpear al paciente o a los cuidadores y provocar lesiones.
- Tenga SIEMPRE en cuenta la posición del brazo durante los traslados.
  - Compruebe que el brazo está situado de forma que no puede golpear al paciente ni a las personas que se encuentren alrededor.
  - Tenga SIEMPRE en cuenta la posición de su propio cuerpo con respecto al brazo durante los traslados.

1. Antes de proceder, consulte la información y revise todas las advertencias que se indican en *2 Seguridad, página 73 y Elevación del paciente*.
2. Coloque al paciente sobre la eslinga. Consulte el manual del usuario suministrado con la eslinga.
3. Desbloquee las ruedas traseras. Consulte *5 Utilización, página 82*.
4. Abra las patas de la grúa. Consulte *5 Utilización, página 82*.
5. Utilice las barras de empuje para mover la grúa de elevación.



**¡ADVERTENCIA!**

- Si utiliza la grúa junto con camas o sillas de ruedas, tenga en cuenta la posición de la misma respecto de estos otros dispositivos para que no se enreden ni interfieran.
- Antes de situar las patas de la grúa de elevación bajo la cama, compruebe que no hay obstáculos.

6. Baje la grúa de elevación para que pueda colocar fácilmente la eslinga.
7. Bloquee las ruedas traseras. Consulte *5 Utilización, página 82*
8. Acople la eslinga. Consulte *6.2.1 Acoplamiento de la eslinga a la grúa, página 88*

### 6.2.1 Acoplamiento de la eslinga a la grúa



#### ¡ADVERTENCIA! Riesgo de lesiones

- Si las eslingas que se utilizan están deterioradas o no son las adecuadas, el paciente se podría caer o los cuidadores podrían sufrir daños.
- Utilice una eslinga Invacare aprobada que cuente con la recomendación del médico, el auxiliar o el cuidador para garantizar la seguridad y comodidad del paciente.
  - Las eslingas y los accesorios de la grúa de Invacare han sido diseñados específicamente para utilizarse con grúas de Invacare.
  - Después de cada lavado (que deberá realizarse conforme a las instrucciones de la eslinga), inspeccione la eslinga para determinar si está desgastada, desgarrada o tiene costuras sueltas.
  - Las eslingas tratadas con lejía, cortadas, desgarradas, deshilachadas o dañadas no son seguras y podrían causar lesiones. Deséchelas de inmediato.
  - NO modifique las eslingas.

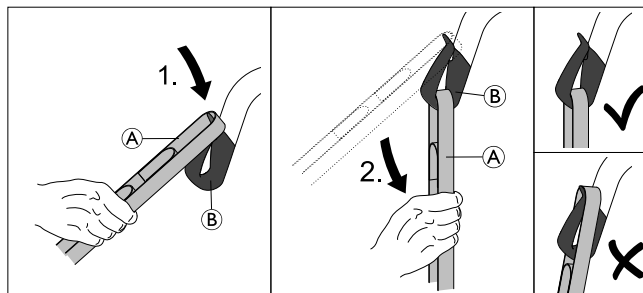


#### ¡ADVERTENCIA! Riesgo de lesiones

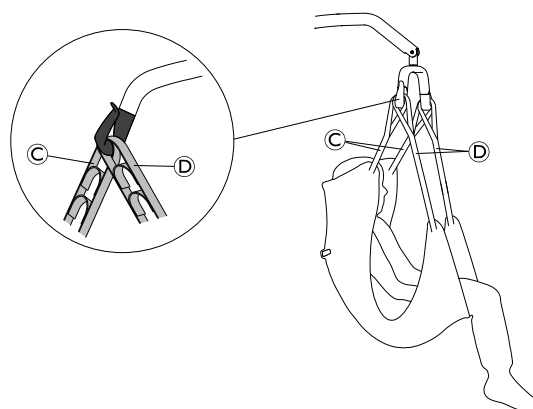
- Si las eslingas se han fijado o ajustado de forma incorrecta, el paciente se podría caer o los cuidadores podrían sufrir daños.
- No olvide comprobar los acoplamientos de la eslinga cada vez que esta se quite o se ponga para garantizar que esté correctamente fijada antes de trasladar al paciente desde un objeto fijo (cama, silla o inodoro).
  - La percha DEBE acoplarse a la grúa ANTES que la eslinga.
  - NO utilice ningún tipo de compresa para incontinencias o cojín de asiento con el dorso de plástico entre el paciente y el material de la eslinga que pueda hacer que el paciente se deslice fuera de la eslinga durante el traslado.
  - Asegúrese de que la cabeza del paciente cuente con un soporte adecuado a la hora de levantarlo.
  - Coloque al paciente en la eslinga según las instrucciones que esta incluye.
  - Los ajustes para garantizar la seguridad y comodidad del paciente deberán realizarse antes de trasladar al paciente.

Las correas de la eslinga pueden tener anillas de colores que indican diferentes longitudes, lo que permite colocar al paciente en varias posiciones distintas. Las correas más cortas de los hombros realizarán una elevación más vertical, que ayudará a colocar al paciente en una silla o silla de ruedas. Al alargar las correas de los hombros, se consigue una posición más reclinada que resulta más adecuada para un traslado de una silla a la cama. Asegúrese de que las anillas de las correas que utilice sean del mismo color en

ambos lados de la eslinga para que la elevación del paciente esté nivelada.

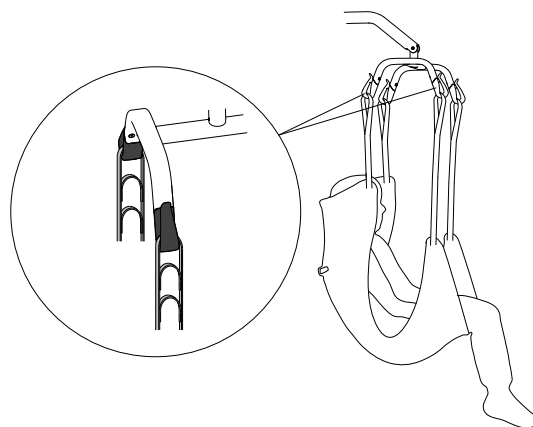


1. Coloque la anilla deseada de la correa **A** sobre el saliente del gancho **B**.
2. Baje la correa **A** hasta que la anilla quede completamente insertada en la parte inferior del gancho **B**.
3. Repita estos pasos con el resto de las correas de la eslinga.
  - a.



En una percha de dos puntos, coloque la correa de los hombros **C** antes que la correa de las piernas **D** en cada uno de los ganchos.

b.



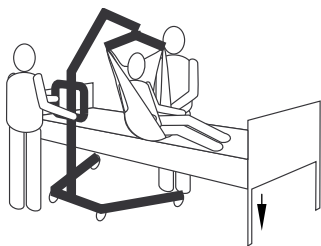
En una percha de cuatro puntos, coloque cada una de las correas en un gancho individual.

### 6.3 Traslado de un paciente desde la cama

1. Prepárese para elevar al paciente. Consulte *6.2 Preparación para levantar al paciente, página 87*.
2. Coloque la eslinga en la grúa. Consulte *6.2.1 Acoplamiento de la eslinga a la grúa, página 88*.
3. Desbloquee las ruedas traseras.

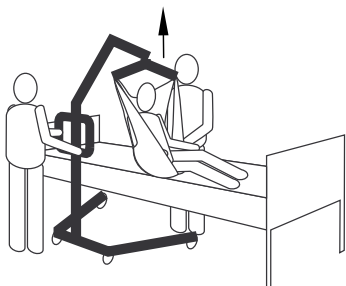


4.



Baje la cama lo máximo posible.

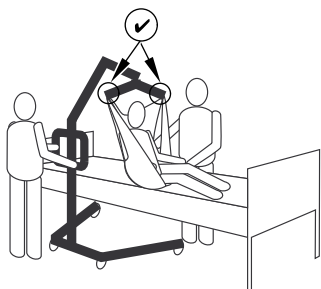
5.



Levante al paciente lo suficiente como para que quede separado de la superficie de descanso y que la grúa soporte todo su peso.

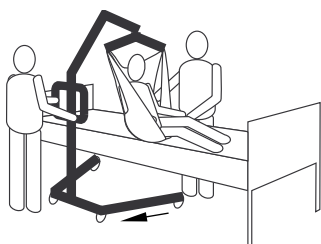
**i** El brazo de la grúa permanecerá en su posición hasta que se presione el botón ABAJO.

6.



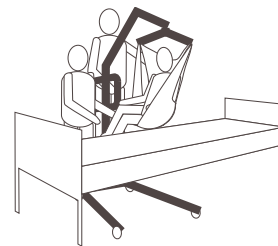
Antes de mover al paciente, compruebe de nuevo que la eslinga está bien acoplada a los ganchos de la percha. Consulte 6.2.1 *Acoplamiento de la eslinga a la grúa*, página 88. Si algún acoplamiento no está convenientemente fijado, vuelva a bajar al paciente hasta la superficie de descanso y corrija el problema.

7.



Utilizando las barras de empuje, aleje la grúa de la superficie de descanso.

8.



Con ayuda de las asas de la eslinga, gire al paciente hasta que quede de frente al auxiliar que maneja la grúa de elevación.

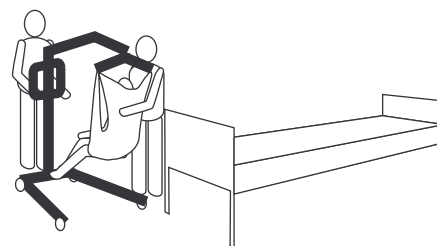
9.



Baje al paciente de forma que sus pies descansen sobre la base de la grúa, con una pierna a cada lado del mástil.

**i** Cuanto más bajo esté situado el centro de gravedad, mayor será la estabilidad, lo que hará que el paciente se sienta más seguro y facilitará el traslado de la grúa.

10.

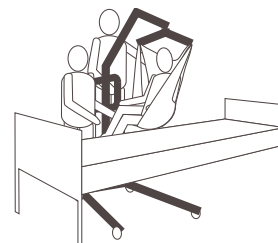


Mueva la grúa de elevación colocando las dos manos con firmeza en las barras de empuje.

11. Realice el traslado a otra superficie de descanso u otro objeto fijo.

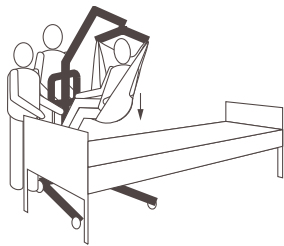
## 6.4 Traslado de un paciente a la cama

1. Siga este procedimiento junto con los pasos necesario para elevar al paciente en otros tipos de superficies de descanso u objetos fijos.
- 2.



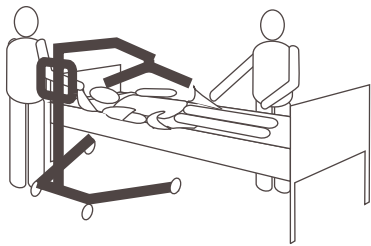
Suba o baje la grúa para colocar al paciente sobre la superficie fija. Asegúrese de subir o bajar al paciente lo suficiente como para que los lados del objeto fijo queden libres.

3.



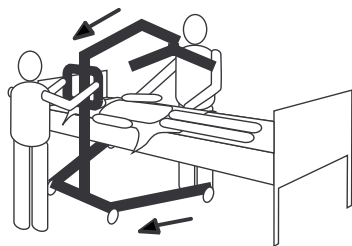
Baje al paciente hasta que quede sobre la superficie fija.

4. Asegúrese de que la superficie a la que va a trasladar el paciente soporta totalmente su peso.
5. Bloquee las ruedas traseras.
6. Suba la cama a una buena altura de trabajo (normalmente, hasta las caderas de los cuidadores).
- 7.



Separe la eslinga de la percha.

8. Desbloquee las ruedas traseras.
- 9.

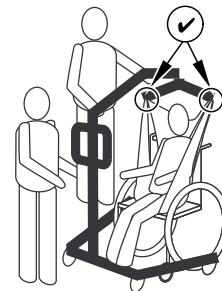


Retire la grúa de la zona.

## 6.5 Traslado de un paciente desde una silla de ruedas

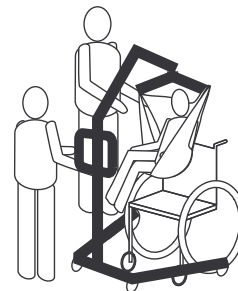
1. Active los frenos de estacionamiento de la silla de ruedas para impedir que esta se mueva.
2. Prepárese para elevar al paciente. Consulte 6.2 *Preparación para levantar al paciente, página 87*.
3. Asegúrese de que la silla de ruedas esté situada entre las patas abiertas de la grúa con el paciente mirando hacia el mástil.
4. Coloque la eslinga en la grúa. Consulte 6.2.1 *Acoplamiento de la eslinga a la grúa, página 88*.
5. Desbloquee las ruedas traseras.

6.



Levante el brazo hasta que haya tensión en las correas de la eslinga y asegúrese de que la eslinga esté correctamente fijada a los ganchos de la percha. Consulte 6.2.1 *Acoplamiento de la eslinga a la grúa, página 88*. Si algún acoplamiento no está bien colocado, vuelva a bajar al paciente hasta sentarlo en la silla de ruedas y corrija el problema.

7.



Levante al paciente lo suficiente hasta liberar la superficie de la silla de ruedas y que la grúa soporte la totalidad del peso del paciente.

8. Utilizando las barras de empuje, aleje la grúa de la silla de ruedas.
9. Realice el traslado a otra superficie de descanso u otro objeto fijo.

## 6.6 Traslado del paciente a una silla de ruedas



### ¡ADVERTENCIA!

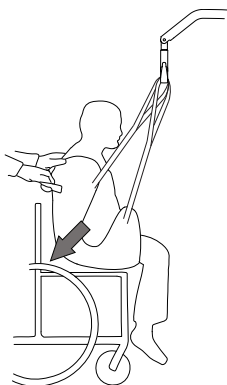
#### Riesgo de lesiones

- Antes del traslado, asegúrese de que el peso del paciente no sobrepasa la capacidad de la silla de ruedas.
- Los frenos de la silla de ruedas DEBEN estar bloqueados antes de bajar al paciente y acomodarlo en ella para su traslado.

1. Siga este procedimiento junto con los pasos necesarios para elevar al paciente en otros tipos de superficies de descanso u objetos fijos.
2. Active los frenos de estacionamiento de la silla de ruedas para impedir que se mueva.

3. Sitúe al paciente sobre el asiento con la espalda apoyada en el respaldo de la silla.

4.



Comience a bajar al paciente y utilice el asa de sujeción (en los modelos seleccionados) o los laterales de la eslinga para situar las caderas del paciente lo más atrás posible en el asiento y favorecer así una posición adecuada. De este modo, el centro de estabilidad seguirá siendo el apropiado y se evitará que la silla vuelque hacia delante.

## 6.7 Traslado de un paciente al inodoro

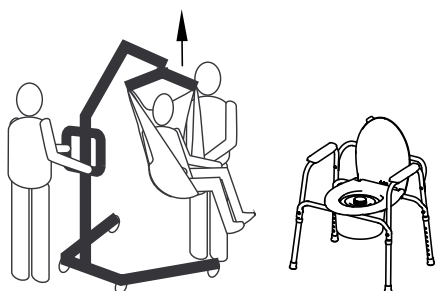
**i** La grúa de elevación de Invacare NO ha sido diseñada como dispositivo de transporte. Si el cuarto de baño NO se encuentra próximo a la cama o si la grúa no puede maniobrar fácilmente hasta el inodoro, el paciente DEBERÁ trasladarse al cuarto de baño en una silla de ruedas antes de utilizar de nuevo la grúa para situarlo sobre el inodoro.

**i** Las eslingas con aberturas para inodoro están diseñadas para utilizarse en una silla de inodoro o en un inodoro normal.

**i** Antes de trasladar al paciente, lleve la grúa de elevación hasta el cuarto de baño para comprobar que puede maniobrar fácilmente en el inodoro.

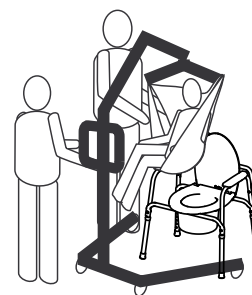
1. Siga este procedimiento junto con los pasos necesario para elevar al paciente en otros tipos de superficies de descanso u objetos fijos.

2.



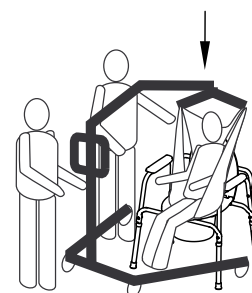
Eleve al paciente lo suficiente para salvar los brazos de la silla de inodoro y para que su peso descansa completamente en la grúa de elevación. Consulte 5 Utilización, página 82

3.



Coloque la grúa de elevación de forma que las piernas del paciente queden fuera de las patas del inodoro y las barras de empuje de la grúa estén situadas enfrente del inodoro. A continuación, coloque al paciente sobre el inodoro.

4.



Baje al paciente hasta el inodoro y deje la eslinga fijada en los ganchos de la percha. Invacare recomienda que la eslinga se mantenga fijada en los ganchos de la percha mientras el paciente usa la silla de inodoro o el inodoro normal.

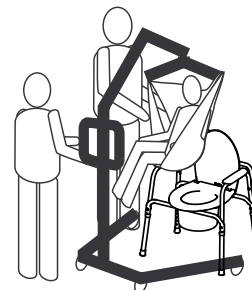
5.



Cuando termine, compruebe de nuevo que la eslinga está bien colocada.

6. Levante al paciente del inodoro.

7.



Cuando el paciente ya no esté apoyado en el inodoro, separe la grúa del inodoro utilizando para ello las barras de empuje.

8. Realice el traslado a otra superficie de descanso u otro objeto fijo.

## 6.8 Elevación de un paciente que está en el suelo



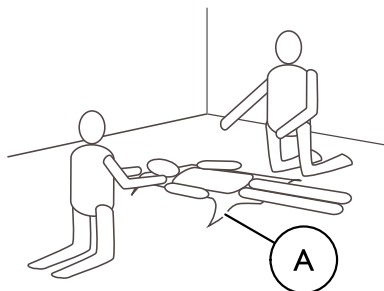
### ¡ADVERTENCIA!

#### Riesgo de lesiones

La grúa puede lesionar a un paciente que esté en el suelo o a un auxiliar que esté haciendo algo en el suelo.

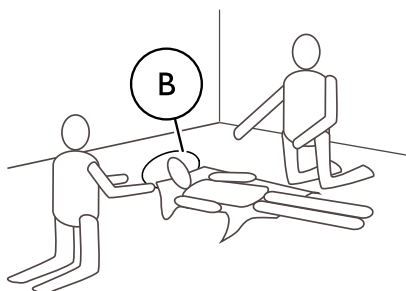
– Tenga cuidado siempre que acerque piezas de la grúa a una persona que se encuentre en el suelo.

1. Compruebe si el paciente ha sufrido alguna lesión como consecuencia de una caída. Si no se necesita asistencia médica, proceda con el traslado.
- 2.



Coloque la eslinga **A** debajo del paciente. Consulte el manual del usuario proporcionado con la eslinga para obtener más información sobre su colocación.

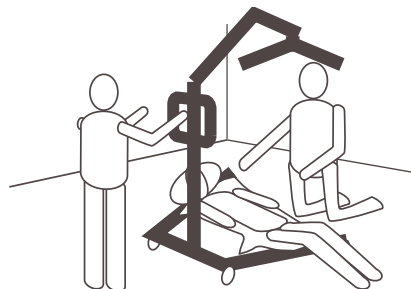
- 3.



Haga que el paciente flexione las rodillas y levántele la cabeza del suelo utilizando una almohada **B**.

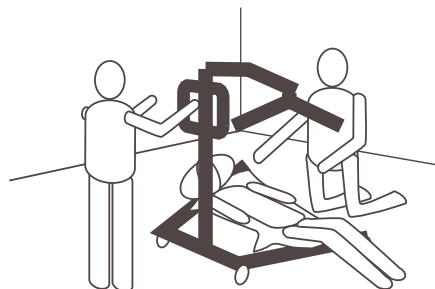
4. Desbloquee las ruedas traseras. Consulte *5 Utilización, página 82*
5. Abra las patas de la grúa. Consulte *5 Utilización, página 82*

- 6.



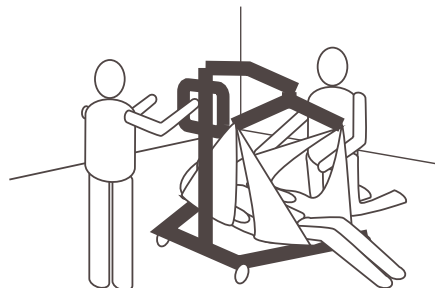
Coloque la grúa con una pata debajo de las rodillas flexionadas del paciente y la otra debajo de la cabeza. Mantenga las tiras de la eslinga dentro de las patas de la grúa.

- 7.



Baje el brazo de la grúa hasta que la percha esté situada sobre el pecho del paciente.

- 8.



Acople la eslinga. Consulte *6.2.1 Acoplamiento de la eslinga a la grúa, página 88*.

9. Eleve el brazo de la grúa para levantar al paciente del suelo.
10. Realice el traslado a otra superficie de descanso u otro objeto fijo.

## 7 Transporte y almacenamiento

### 7.1 Información general

Cuando sea necesario transportar la grúa de elevación o no vaya a utilizarse durante un tiempo, el botón de parada de emergencia debe estar pulsado.

Para transportar o guardar la grúa, puede guardarse en su embalaje plegada o desmontada.

Las grúas plegadas pueden transportarse tirando de las ruedas traseras y las que tienen apertura de patas manual pueden colocarse en posición vertical con el conjunto del brazo o del mástil orientado hacia arriba.

La grúa de elevación debe guardarse a una temperatura ambiente normal. Si se guarda en un entorno húmedo o frío, el motor y otros componentes podrían corroerse. Consulte *11.4 Condiciones ambientales, página 100*

### 7.2 Desmontaje del mástil de la base

(sólo mástiles fijos)

1. Si la palanca opcional de la apertura de patas está instalada, extráigala.
2. Baje el brazo y cierre las patas completamente.
3. Active el botón de parada de emergencia y accione los frenos de las ruedas.
4. Siga a la inversa el procedimiento que se describe en 4.5 *Instalación del pistón en el brazo, página 80*
5. Siga a la inversa el procedimiento que se describe en 4.4 *Despliegue de la percha, página 79*
6. Siga a la inversa el procedimiento que se describe en 4.3.2 *Montaje del mástil en la base, página 79*

### 7.3 Plegado del mástil

(solo mástiles plegables)

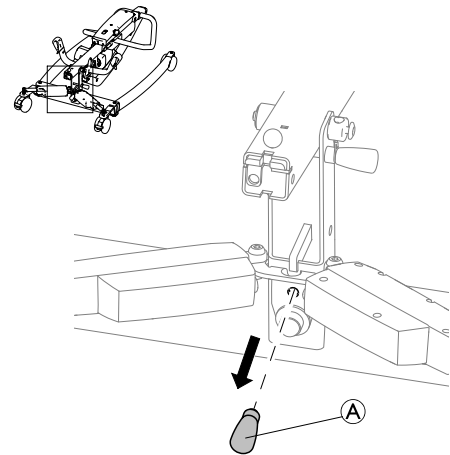
1. Si la palanca opcional de la apertura de patas está instalada, extráigala.
2. Baje el brazo y cierre las patas completamente.
3. Active el botón de parada de emergencia y accione los frenos de las ruedas.
4. Siga a la inversa el procedimiento que se describe en 4.5 *Instalación del pistón en el brazo, página 80*
5. Siga a la inversa el procedimiento que se describe en 4.4 *Despliegue de la percha, página 79*
6. Siga a la inversa el procedimiento que se describe en 4.3.1 *Despliegado del mástil, página 78* y, antes de plegar el mástil, tire del pestillo de seguridad ⑥ y manténgalo en esa posición.

### 7.4 Extensión del mástil para colocar la grúa en posición vertical

(solo Birdie EVO)

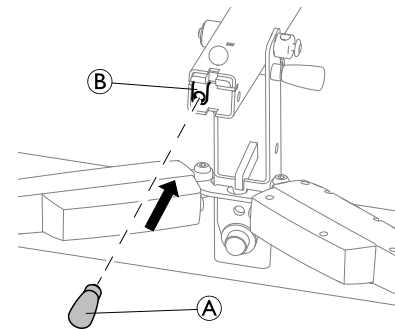
Se ofrece una extensión del mástil magnética para poder colocar la grúa en posición vertical si esta está equipada con apertura de patas eléctrico.

1.



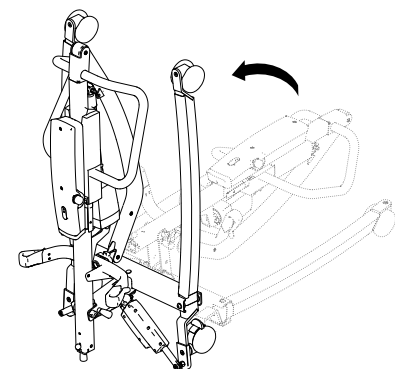
Extraiga la extensión del mástil ① del lugar donde esta se guarda en la base de la grúa.

2.



Inserte la extensión del mástil ① en el soporte ② de la parte inferior del mástil plegado.

3.



La grúa plegada podrá colocarse ahora en posición vertical.

## 8 Mantenimiento

### 8.1 Información general sobre mantenimiento



**¡PRECAUCIÓN!**  
**Riesgo de daños o lesiones**

- No realice ningún procedimiento de reparación o mantenimiento mientras el producto esté siendo usado.

Siga los procedimientos de mantenimiento descritos en este manual para garantizar el funcionamiento continuado del producto.

En el manual de servicio de este producto se describen otros procedimientos de inspección y mantenimiento, que deben ser realizados por un técnico cualificado. Invacare puede facilitarle los manuales de servicio.

### 8.2 Inspecciones diarias



**¡ADVERTENCIA!**  
**Riesgo de daños o lesiones**

- El desgaste o deterioro de las piezas puede afectar a la seguridad de la grúa.
- Debe comprobarse la grúa cada vez que se utilice.
  - No utilice la grúa si observa daños o tiene dudas sobre la seguridad de alguna de sus piezas. Póngase en contacto inmediatamente con el proveedor de Invacare y asegúrese de que la grúa no se utiliza hasta que se hayan realizado todas las reparaciones.

#### Lista de verificación de la inspección diaria

- Inspeccione visualmente la grúa. Compruebe si las piezas presentan signos de desgaste o deterioro externo.
- Examine toda la estructura, los puntos de conexión y las piezas sometidas a tensión, como las eslingas, los ganchos y los engranajes, para comprobar si tienen grietas, están deshilachados o presentan signos de deformación o desgaste.
- Compruebe que el mando funcione (movimientos de las patas y de elevación).
- Cargue la batería todos los días que utilice la grúa.
- Compruebe la función de parada de emergencia.
- Compruebe la luz de servicio (solo en la unidad de control CBJ Care).



La luz de servicio viene indicada con el símbolo de una llave inglesa en la unidad de control y, si es aplicable, en el mando.

- Si la luz de servicio parpadea en color amarillo, la grúa debe repararse. No utilice la grúa y póngase en contacto con el proveedor de Invacare para obtener asistencia.
- Si la luz de servicio no parpadea, la grúa está lista para utilizarse.

## 8.3 Limpieza y desinfección

### 8.3.1 Información general de seguridad



**¡PRECAUCIÓN!**  
**Riesgo de contaminación**

- Adopte las precauciones necesarias y utilice el equipo de protección adecuado.



**¡PRECAUCIÓN!**  
**Riesgo de descarga eléctrica y daños en el producto**

- Apague el dispositivo y desconéctelo de la red eléctrica, si procede.
- Al limpiar componentes electrónicos, tenga en cuenta su clase de protección sobre la introducción de agua.
- Asegúrese de que no salpique agua en el enchufe o la toma de pared.
- No toque la toma de corriente con las manos mojadas.



**¡IMPORTANTE**

- Seguir métodos erróneos o utilizar fluidos incorrectos puede dañar o deteriorar el producto.
- Todos los productos de limpieza y desinfectantes empleados deben ser eficaces, compatibles entre sí y deben proteger los materiales que se van a limpiar.
  - Nunca utilice fluidos corrosivos (álcalis, ácidos, etc.) ni productos de limpieza abrasivos. Recomendamos usar un producto de limpieza doméstico normal, como líquido lavavajillas, si no especifica lo contrario en las instrucciones de limpieza.
  - No utilice disolventes (decapantes de celulosa, acetona, etc.) que cambien la estructura del plástico o disuelvan las etiquetas adheridas.
  - Asegúrese siempre de que el producto se ha secado por completo antes de utilizarlo de nuevo.



Para la limpieza y desinfección en entornos clínicos o de atención sanitaria a largo plazo, siga los procedimientos internos.

### 8.3.2 Intervalos de limpieza



**¡IMPORTANTE**

- La limpieza y la desinfección habituales mejoran el correcto funcionamiento, aumentan la vida útil y evitan la contaminación.
- Limpie y desinfecte el producto
- periódicamente mientras esté en uso,
  - antes y después de cualquier procedimiento de mantenimiento,
  - cuando haya estado en contacto con fluidos corporales,
  - antes de usarlo con un nuevo usuario.

### 8.3.3 Instrucciones de limpieza

**!** **IMPORTANTE**  
 – La limpieza del producto no puede realizarse en sistemas de lavado automático, mediante equipos de limpieza de vapor o a presión.

#### Limpieza de la grúa

Método: Limpie con un paño o un cepillo suave húmedo.

Temperatura máxima: 40 °C

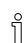
Disolvente/productos químicos: utilice agua y los productos habituales de limpieza del hogar.

Secado: seque la superficie húmeda con un paño suave.

#### Limpieza de la eslinga

Consulte las instrucciones de lavado en la eslinga y en su manual para obtener información sobre cómo limpiarla.

### 8.3.4 Instrucciones de desinfección

 Encontrará más información sobre los desinfectantes y los métodos recomendados en <https://vah-online.de/en/for-users>.

### En la atención domiciliaria

Método: Siga las instrucciones de aplicación del desinfectante y limpie y desinfecte todas las superficies accesibles.

Desinfectante: Desinfectante doméstico habitual.

Secado: Deje que el producto se seque al aire.

### En atención clínica y a largo plazo

Siga los procedimientos de desinfección del centro y utilice exclusivamente los desinfectantes y métodos especificados.

## 8.4 Intervalo de mantenimiento



#### ¡ADVERTENCIA!

#### Riesgo de lesiones o daños

Las tareas de mantenimiento y reparación solo debe efectuarlas un técnico cualificado.

– Póngase en contacto con el proveedor de Invacare para obtener asistencia.

A menos que las normativas locales establezcan lo contrario, las tareas de mantenimiento deben realizarse como mínimo cada 12 meses.

## 9 Después del uso

### 9.1 Eliminación



#### ¡ADVERTENCIA!

#### Riesgo medioambiental

El dispositivo tiene baterías.

Este producto puede contener sustancias que podrían ser perjudiciales para el medio ambiente si se procede a su eliminación en lugares (vertederos) que no sean los idóneos según la legislación.

- NO tire las baterías con la basura doméstica.
- Las baterías DEBERÁN llevarse a un punto limpio adecuado. Entregar las baterías no tiene coste alguno y lo exige la ley.
- Solo tire baterías descargadas.
- Cubra los terminales de las baterías de litio antes de tirarlas.
- Para obtener más información sobre el tipo de batería, consulte la etiqueta de la batería o el capítulo *11 Datos Técnicos, página 98*.

Proteja el medio ambiente y recicle este producto a través de la planta de reciclaje más próxima cuando llegue al final de su vida útil.

Desmunte el producto y sus componentes para separar y reciclar individualmente los diferentes materiales.

La eliminación y el reciclaje de los productos usados y de sus embalajes debe llevarse a cabo conforme a las normativas legales relativas al tratamiento de residuos vigentes en cada país. Póngase en contacto con su empresa de gestión de residuos local para obtener más información al respecto.

### 9.2 Reacondicionamiento

El producto se puede reutilizar. Para reacondicionar el producto para un nuevo usuario, lleve a cabo las siguientes acciones:

- Limpieza y desinfección
- Inspección según el plan de servicio


Para obtener información detallada sobre la inspección, la limpieza y la desinfección, consulte el manual del usuario y el manual de servicio de este producto.



## 10 Solución de problemas

### 10.1 Identificación de fallos y posibles soluciones

Síntomas	Fallos	Solución
La grúa de elevación parece estar suelta.	La junta del mástil o de la base está suelta.	Consulte el apartado "Instalación del mástil" en la sección de instalación.
	Las ligaduras o las varillas están sueltas.	Póngase en contacto con el proveedor de Invacare.
Las ruedas o los frenos suenan o están duros.	Hay pelusas o suciedad en los rodamientos.	Limpie las pelusas y la suciedad de las ruedas.
Los engranajes suenan.	Los engranajes están gastados o dañados.	Póngase en contacto con el proveedor de Invacare.
El pistón eléctrico no eleva la grúa o las patas no se abren cuando se aprieta el botón.	El conector del mando o del pistón está suelto.	Enchufe el conector del mando o del pistón. Asegúrese de que los conectores estén bien encajados y conectados.
	Batería baja.	Cargue la batería. Consulte <i>5.7 Carga de la batería, página 84</i>
	El botón de parada de emergencia está presionado.	Gire el botón de parada de emergencia en el sentido de las agujas del reloj hasta que salte.
	La batería no está correctamente conectada a la unidad de control.	Vuelva a conectar la batería a la unidad de control. Consulte <i>5.7.4 Cargador de batería opcional, página 85</i>
	Los terminales de conexión están dañados.	Póngase en contacto con el proveedor de Invacare.
	El cable de alimentación está conectado a la toma de corriente.	Desconecte el cable de alimentación de la toma de corriente.
	El pistón de las patas o del brazo está averiado.	Póngase en contacto con el proveedor de Invacare.
	La carga máxima es excesiva.	Reduzca la carga.
El pistón emite un ruido inusual.	El pistón está averiado.	Póngase en contacto con el proveedor de Invacare.
El brazo no desciende cuando está elevado al máximo.	El brazo necesita una carga mínima para poder descender cuando está completamente elevado.	Empuje ligeramente el brazo hacia abajo.
La unidad de control emite un pitido durante la elevación y el motor se para.	La carga máxima es excesiva.	Reduzca la carga (y la grúa funcionará con normalidad).

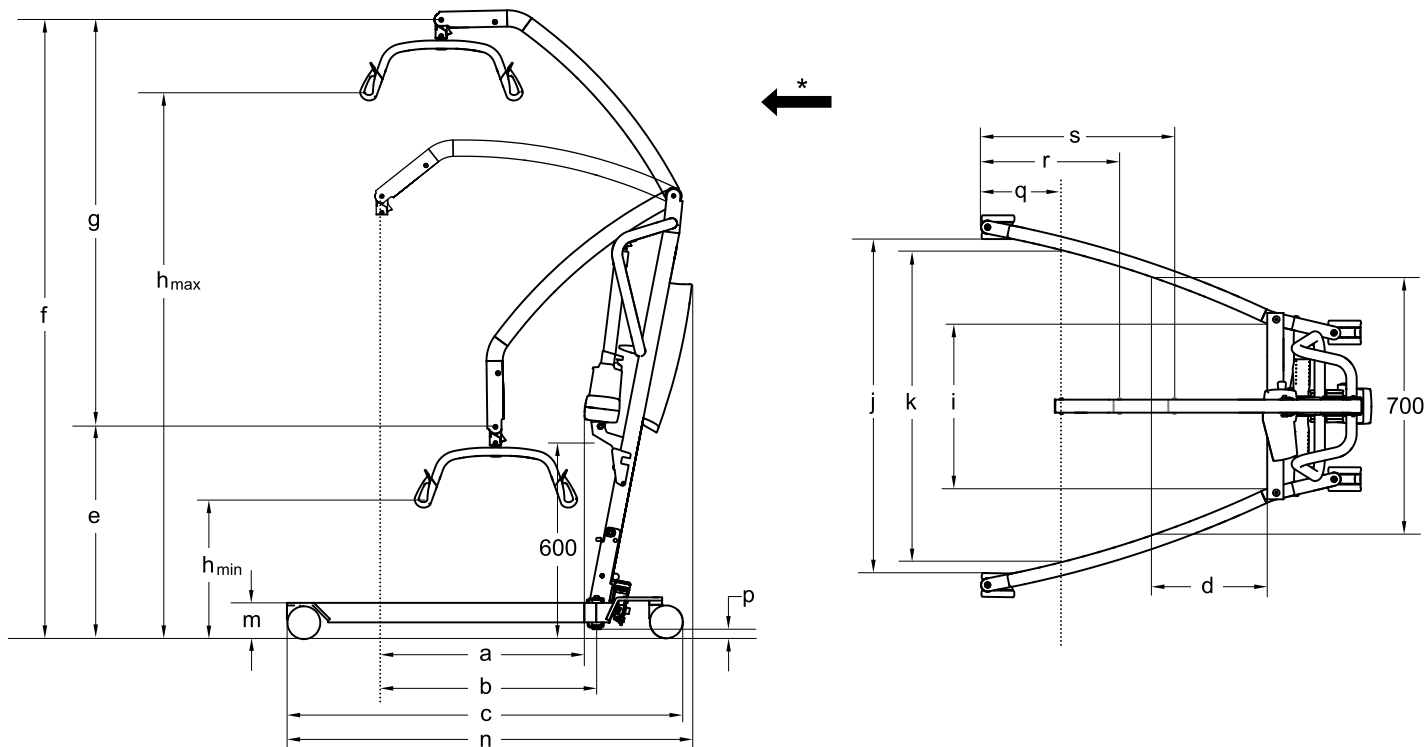
 Póngase en contacto con el proveedor de Invacare si las instrucciones descritas no solucionan el problema.

## 11 Datos Técnicos

### 11.1 Carga máxima de utilización segura

	<b>Birdie® EVO</b>	<b>Birdie® EVO COMPACT</b>	<b>Birdie® EVO PLUS</b>	<b>Birdie® EVO XPLUS</b>
Carga máxima de utilización segura (paciente + percha + eslinga)	180 kg	150 kg	180 kg	210 kg

### 11.2 Dimensiones y pesos




\* Dirección de avance

Dimensiones [mm]	Birdie® EVO		Birdie® EVO COMPACT		Birdie® EVO PLUS / XPLUS
Diámetro de rueda giratoria delantera/trasera	75 / 75	100 / 100	75 / 75	100 / 100	100 / 125
Alcance máx. de 600 mm (a)	630	630	530	530	630
Alcance máx. desde la base (b)	630	630	530	530	630
Longitud de la base (c)	1200	1220	1060	1080	1280
Longitud total (n)	1250	1250	1100	1100	1280
Alcance desde la base con las patas extendidas hasta 700 mm (d)	225	225	420	420	225
Altura mín. de CSP*/posición más baja (e)	630	645	730	745	645
Altura máx. de CSP* (f)	1870	1885	1805	1820	1885
Rango de elevación (g)	1240	1240	1060	1060	1240
Altura mín. del gancho de la eslinga (al.mín.)	400	415	515	530	415
Altura máx. del gancho de la eslinga (al.máx.)	1645	1660	1575	1590	1660
Anchura total (con las patas abiertas) entre el centro de las ruedas	1100	1100	890	890	1100

Dimensiones [mm]	Birdie® EVO		Birdie® EVO COMPACT		Birdie® EVO PLUS / XPLUS
Anchura total (con las patas abiertas) medida desde el interior (j)	1040	1020	835	815	1020
Anchura total (con las patas cerradas) medida desde el exterior	640	640	520	520	640
Anchura interna mín. (i)	495	495	380	380	495
Anchura interna con máximo alcance (k)	960	960	765	765	960
Diámetro de giro	1400	1400	1070	1070	1430
Altura al borde superior de las patas (m)	100	115	100	115	115
Altura libre mín. (p)	20	35	20	35	35
Distancia mínima desde la pared al CSP* en su máxima extensión (con las patas abiertas) (q)	245	245	210	210	245
Distancia mínima desde la pared al CSP* con la máxima altura (patas abiertas) (r)	410	410	450	450	410
Distancia mínima desde la pared al CSP* con la mínima altura (patas abiertas) (s)	615	615	395	395	615
Altura plegado (solo en versiones plegables)	455	470	455	470	470
Longitud plegado (solo en versiones plegables)	1300	1320	1190	1210	1360

\* CSP = Punto de suspensión central

 Todas las medidas se han tomado con una percha de dos puntos de 450 mm.

Peso de las piezas principales [kg]			
	Birdie® EVO	Birdie® EVO COMPACT	Birdie® EVO PLUS / XPLUS
Peso total sin la percha	40	31	41
Peso del mástil con la batería y sin la percha	19	14	19
Peso de la sección de las patas manual	21	17	no disponible
Peso de la sección de las patas eléctrica	21	no disponible	22

Peso de las perchas [kg]	
Percha de dos puntos de 350 mm	1,3
Percha de dos puntos de 450 mm	1,4
Percha de dos puntos de 550 mm	1,6
Percha de cuatro puntos de 450 mm	2,8
Percha de cuatro puntos de 500 mm	2,9
Percha de cuatro puntos de 550 mm	3,0

### 11.3 Sistema eléctrico

	Birdie® EVO	Birdie® EVO COMPACT	Birdie® EVO PLUS / XPLUS
Tensión de salida	24 V CC, máx. 250 VA		
Voltaje	100 – 240 V CA, 50/60 Hz		
Corriente de entrada máxima	400 mA (en CBJ1, CBJ2 y CBJ Care)/ 280 mA (en CBJ Home)	400 mA (en CBJ2) / 280 mA (en CBJ Home)	400 mA (CBJ1 y CBJ Care)
Clase de protección (todo el dispositivo)	IPX4*		

	Birdie® EVO	Birdie® EVO COMPACT	Birdie® EVO PLUS / XPLUS
Clase de aislamiento	Equipo de clase II		
Pieza aplicada de tipo B	Pieza aplicada que cumple los requisitos especificados para la protección contra descargas eléctricas según IEC60601-1.		
Nivel acústico	45 – 50 dB (A)		
Capacidad de funcionamiento	40 elevaciones completas (con batería entre 100 % y 50 % de la capacidad total)		
Intermitente (funcionamiento periódico del motor)	10 %, máx. 2 min/18 min		
Especificaciones de la batería	2 x 12 V/2,9 Ah		
Tipo de batería	Ácido de plomo (sin mantenimiento, sellada)		
Bajada de emergencia manual	Sí (en la parte inferior del pistón)	Opcional (en la parte superior del pistón)	Sí (en la parte inferior del pistón)
Bajada/subida eléctrica de emergencia	Sí/Sí (en CBJ1 y CBJ Care) Sí/No (en CBJ2 y CBJ Home)	Sí/No (en CBJ2 y CBJ Home)	Sí/Sí (CBJ1 y CBJ Care)

\*IPx4: el sistema está protegido contra las salpicaduras de agua procedentes de cualquier dirección.

## 11.4 Condiciones ambientales

	Almacenamiento y transporte	Funcionamiento
Temperatura	De -10 °C a +50 °C	De +5 °C a +40 °C
Humedad relativa	Del 20 % al 90 % a 30 °C, sin condensación	
Presión atmosférica	De 800 hPa a 1060 hPa	



Deje que el producto alcance la temperatura de funcionamiento antes de utilizarlo:

- El calentamiento a partir de la temperatura de almacenamiento mínima puede tardar más de 30 minutos.
- El enfriamiento a partir de la temperatura de almacenamiento máxima puede tardar más de 5 minutos.

## 11.5 Materiales

Componente	Material
Base, patas, mástil y brazo	Acero con recubrimiento en polvo
Percha	Acero con recubrimiento en polvo y TPU

Componente	Material
Carcasa del pistón, mando, protector del mástil, ruedas y otras piezas de plástico	Material conforme al marcado (PA, PP, PE)
Conectores, tornillos y tuercas del brazo	Acero, galvanizadas

Todos los componentes del producto son resistentes a la corrosión o están protegidos contra la corrosión.

## 11.6 Fuerzas de accionamiento de los controles

Control	Fuerza de accionamiento
Botones de la unidad de control	4 N
Botones del mando	4 N
Pedal con ruedas de 100 mm*	290 N
Palanca de apertura de patas con ruedas de 100 mm	45 N
Palanca de apertura de patas con ruedas de 75 mm	50 N

\* Si está equipado con ruedas de 75 mm, resulta obligatorio utilizar una palanca para la apertura de patas.

## 12 Compatibilidad electromagnética (EMC)

### 12.1 Información general sobre EMC

Los equipos eléctricos médicos deben instalarse y utilizarse de acuerdo con la información sobre EMC de este manual.

Este equipo se ha probado y cumple con los límites de EMC establecidos por IEC/EN 60601-1-2 para equipos de Clase B.

Los equipos de comunicaciones por radiofrecuencia portátiles y móviles pueden afectar al funcionamiento de este producto.

Otros dispositivos pueden experimentar interferencias provocadas incluso por los bajos niveles de emisiones electromagnéticas permitidos por el estándar anterior. Para determinar si la emisión de este producto es la causa de la interferencia, hágalo funcionar y párelo después. Si la interferencia con el funcionamiento del otro dispositivo se interrumpe, entonces este producto es el causante. En esos casos excepcionales, la interferencia se puede reducir o corregir mediante las siguientes acciones:

- Cambie de posición el equipo, reubíquelo o aumente la separación entre los dispositivos.

### 12.2 Emisiones electromagnéticas

#### Directrices y declaración del fabricante

Este producto se ha diseñado para utilizarse en el entorno electromagnético que se especifica a continuación. El cliente o usuario de este producto debe comprobar que se utiliza en dicho entorno.


Prueba de emisiones	Cumplimiento	Entorno electromagnético: guía
Emisiones de RF CISPR 11	Grupo I	Este producto utiliza energía de RF únicamente para su funcionamiento interno. Por lo tanto, sus emisiones de RF son muy bajas y no es probable que causen interferencias con equipos electrónicos cercanos.
Emisiones de RF CISPR 11	Clase B	Este producto es adecuado para su uso en todos los establecimientos, incluidos los establecimientos domésticos y aquellos conectados directamente a la red pública de suministro de baja tensión que abastece servicios utilizados para fines domésticos.
Emisiones de armónicos IEC 61000-3-2	Clase A	
Fluctuaciones de tensión/emisiones de parpadeo IEC 61000-3-3	Cumple	


### 12.3 Inmunidad electromagnética

#### Directrices y declaración del fabricante

Este producto se ha diseñado para utilizarse en el entorno electromagnético que se especifica a continuación. El cliente o usuario de este producto debe comprobar que se utiliza en dicho entorno.

Prueba de inmunidad	Nivel de prueba/cumplimiento	Entorno electromagnético: guía
Descarga electrostática (ESD) IEC 61000-4-2	± 8 kV contacto ± 2 kV, ± 4 kV, ± 8 kV, ± 15 kV aire	Los suelos deben ser de madera, de cemento o de baldosas de cerámica. Si los suelos están cubiertos con material sintético, la humedad relativa debería ser de al menos un 30 %.
Transitorios y pulsos electrostáticos IEC 61000-4-4	± 2 kV para las líneas de suministro eléctrico; 100 kHz de frecuencia de entrada ± 1 kV para las líneas de suministro de entrada y salida; 100 kHz de frecuencia de entrada	La calidad de la red de suministro eléctrico debería ser la habitual de un entorno comercial u hospitalario.
Sobretensión IEC 61000-4-5	± 1 kV de línea a línea ± 2 kV de línea a toma de tierra	La calidad de la red de suministro eléctrico debería ser la habitual de un entorno comercial u hospitalario.

Prueba de inmunidad	Nivel de prueba/cumplimiento	Entorno electromagnético: guía
Caídas de tensión, interrupciones breves y variaciones de voltaje en las líneas de suministro de entrada IEC 61000-4-11	< 0 % $U_T$ durante 0,5 ciclo en pasos de 45° 0 % $U_T$ durante 1 ciclo 70 % $U_T$ durante 25/30 ciclos < 5 % $U_T$ durante 250/300 ciclos	La calidad de la red de suministro eléctrico debería ser la habitual de un entorno comercial u hospitalario. Si el usuario de este producto necesita que esté operativo durante las interrupciones del suministro de energía, se recomienda alimentar el producto mediante un sistema de alimentación ininterrumpida o una batería.  $U_T$ es el voltaje de corriente alterna de la red antes de la aplicación del nivel de prueba.
Campo magnético de la frecuencia de alimentación (50/60 Hz) IEC 61000-4-8	30 A/m	Los campos magnéticos de frecuencia de alimentación deberían estar en los niveles característicos de un entorno hospitalario o comercial.
RF conducida IEC 61000-4-6	3 V 150 kHz a 80 Mhz  6 V en bandas ISM y bandas de radioaficionados	No es posible predecir teóricamente con exactitud la intensidad de campo de los transmisores fijos, como las emisoras de radioaficionados, las estaciones base de radioteléfonos (móviles/inalámbricos) y de radios móviles terrestres, así como las emisoras de radio AM y FM y de televisión. Para evaluar el entorno electromagnético causado por transmisores de RF fijos, debería realizarse un estudio electromagnético del emplazamiento. Si la intensidad del campo del emplazamiento en el que se utiliza este producto supera el nivel de cumplimiento de RF indicado anteriormente, es necesario observar el producto para comprobar que funciona correctamente. Si se observa un funcionamiento anormal, será preciso tomar las medidas necesarias, como la reorientación o reubicación del producto.  Es posible que se produzcan interferencias cerca de los equipos marcados con el símbolo siguiente: 
RF radiada IEC 61000-4-3	10 V/m 80 Mhz a 2,7 GHz  Para las especificaciones de prueba de 385 MHz - 5785 MHz sobre la inmunidad a los equipos de comunicación inalámbricos por radiofrecuencia, consulte la tabla 9 de IEC 60601-1-2:2014	No deben usarse equipos de comunicaciones por radiofrecuencia móviles y portátiles a menos de 30 cm de cualquiera de las piezas de este producto, incluidos los cables.

 Estas directrices no se aplican en todas las situaciones. La propagación electromagnética se ve afectada por la absorción y la reflexión en estructuras, objetos y personas.

# Sommaire

Ce manuel DOIT être remis à l'utilisateur du produit. AVANT d'utiliser ce produit, vous DEVEZ lire ce manuel et le conserver pour pouvoir vous y reporter ultérieurement.

<b>1 Généralités</b>	<b>104</b>
1.1 Introduction	104
1.1.1 Symboles figurant dans ce manuel	104
1.2 Durée de vie	104
1.2.1 Informations supplémentaires	104
1.3 Limitation de responsabilité	104
1.4 Informations de garantie	104
1.5 Conformité	104
1.5.1 Normes spécifiques au produit	104
<b>2 Sécurité</b>	<b>105</b>
2.1 Informations de sécurité générales	105
2.1.1 Points de pincement	106
2.2 Informations de sécurité relatives aux accessoires	106
2.3 Informations de sécurité relatives aux interférences électromagnétiques	106
2.4 Étiquettes et symboles figurant sur le produit	107
2.4.1 Emplacement des étiquettes	107
2.4.2 Autocollant d'identification	107
2.4.3 Autres symboles	107
<b>3 Présentation du produit</b>	<b>109</b>
3.1 Utilisation prévue	109
3.2 Pièces principales du lève-personne	109
3.3 Accessoires	109
<b>4 Réglages (Mise en service)</b>	<b>110</b>
4.1 Informations de sécurité générales	110
4.2 Contenu	110
4.3 Installation du mât	110
4.3.1 Dépliage du mât	110
4.3.2 Fixation du mât à la base	111
4.4 Dépliage du fléau	111
4.5 Installation du vérin sur la flèche	112
4.6 Installation du levier du système manuel d'écartement des pieds	112
4.7 Réinitialisation du témoin lumineux de révision	113
<b>5 Utilisation</b>	<b>114</b>
5.1 Informations de sécurité générales	114
5.2 Verrouillage/déverrouillage des roulettes arrière	114
5.3 Élévation et descente du lève-personne électrique	114
5.4 Ouverture/fermeture des pieds	114
5.4.1 Ouverture/fermeture des pieds électriques	114
5.4.2 Fermeture/ouverture manuelle des pieds	114
5.5 Remplacement du fléau	114
5.6 Fonctions d'urgence	115
5.6.1 Procédure d'arrêt d'urgence	115
5.6.2 Activation d'un abaissement d'urgence (boîtier de contrôle CBJ Home)	115
5.6.3 Activation d'un abaissement d'urgence (boîtier de contrôle CBJ Care, CBJ1, CBJ2)	115
5.6.4 Activation d'une élévation d'urgence (boîtier de contrôle CBJ Care, CBJ1)	115
5.6.5 Activation d'un abaissement mécanique d'urgence	115
5.7 Recharge de la batterie	116
5.7.1 Boîtier de contrôle CBJ Home	116
5.7.2 Boîtier de contrôle CBJ Care, CBJ1, CBJ2	116
5.7.3 Télécommande en option	117
5.7.4 Chargeur de batterie en option	118
<b>6 Transfert du patient</b>	<b>119</b>
6.1 Informations de sécurité générales	119
6.2 Préparation au soulèvement	119
6.2.1 Installation de la sangle sur le lève-personne	120
6.3 Transfert du patient à partir d'un lit	121
6.4 Transfert du patient dans un lit	122
6.5 Transfert d'un patient à partir d'un fauteuil roulant	122
6.6 Transfert d'un patient sur un fauteuil roulant	123
6.7 Transfert d'un patient vers et depuis une chaise toilettes	123
6.8 Soulèvement d'un patient à partir du sol	124
<b>7 Transport et stockage</b>	<b>126</b>
7.1 Généralités	126
7.2 Démontage du mât fixé à la base	126
7.3 Rabattage du mât	126
7.4 Extension de mât pour positionnement vertical	126
<b>8 Maintenance</b>	<b>127</b>
8.1 Informations de maintenance générales	127
8.2 Vérifications quotidiennes	127
8.3 Nettoyage et désinfection	127
8.3.1 Informations de sécurité générales	127
8.3.2 Fréquence de nettoyage	128
8.3.3 Consignes de nettoyage	128
8.3.4 Instructions de désinfection	128
8.4 Intervalle entre les révisions	128
<b>9 Après l'utilisation</b>	<b>129</b>
9.1 Mise au rebut	129
9.2 Reconditionnement	129
<b>10 Dépannage</b>	<b>130</b>
10.1 Identification des pannes et solutions possibles	130
<b>11 Caractéristiques Techniques</b>	<b>131</b>
11.1 Charge maximale d'utilisation	131
11.2 Dimensions et poids	131
11.3 Système électrique	132
11.4 Conditions ambiantes	133
11.5 Matériaux	133
11.6 Forces de fonctionnement des commandes	133
<b>12 Compatibilité électromagnétique (CEM)</b>	<b>134</b>
12.1 Informations relatives aux interférences électromagnétiques	134
12.2 Émissions électromagnétiques	134
12.3 Immunité électromagnétique	134

# 1 Généralités

## 1.1 Introduction

Le présent manuel d'utilisation contient des informations importantes sur la manipulation du produit. Pour garantir une utilisation en toute sécurité du produit, lisez attentivement le manuel d'utilisation et respectez les instructions de sécurité.

Veillez noter que certaines sections du présent document peuvent ne pas s'appliquer à votre produit, étant donné que le document concerne tous les modèles disponibles (à la date d'impression). Sauf mention contraire, chaque section de ce document se rapporte à tous les modèles du produit.

Les modèles et les configurations disponibles dans votre pays sont répertoriés dans les documents de vente spécifiques au pays.

Invacare se réserve le droit de modifier les caractéristiques des produits sans préavis.

Avant de lire ce document, assurez-vous de disposer de la version la plus récente. Cette version est disponible au format PDF sur le site Internet d'Invacare.

Si la taille des caractères de la version imprimée du document vous semble trop difficile à lire, vous pouvez télécharger la version PDF sur le site Internet. Vous pourrez alors ajuster la taille des caractères à l'écran pour améliorer votre confort visuel.

Pour obtenir plus d'informations sur le produit, comme les avis de sécurité ou les rappels du produit, contactez votre représentant Invacare local. Reportez-vous aux adresses indiquées à la fin du présent document.

En cas d'incident grave avec le produit, vous devez en informer le fabricant et l'autorité compétente de votre pays.

### 1.1.1 Symboles figurant dans ce manuel

Les symboles et mots d'avertissement utilisés dans le présent manuel s'appliquent aux risques ou aux pratiques dangereuses qui pourraient provoquer des blessures ou des dommages matériels. Reportez-vous aux informations ci-dessous pour la définition des symboles d'avertissement.



#### AVERTISSEMENT

Indique une situation dangereuse qui, si elle n'est pas évitée, est susceptible de provoquer des blessures graves, voire mortelles.



#### ATTENTION

Indique une situation dangereuse qui, si elle n'est pas évitée, est susceptible de provoquer des blessures mineures ou légères.



#### IMPORTANT

Indique une situation dangereuse qui, si elle n'est pas évitée, est susceptible de provoquer des dommages matériels.



#### Conseils et recommandations

Donne des conseils, recommandations et informations utiles pour une utilisation efficace et sans souci.

## 1.2 Durée de vie

La durée de vie attendue de ce produit est de huit ans lorsqu'il est utilisé quotidiennement selon l'usage prévu et dans le respect des consignes de sécurité, des intervalles de maintenance, comme indiqué dans le présent manuel. La durée de vie effective peut varier en fonction de la fréquence et de l'intensité de l'utilisation.

### 1.2.1 Informations supplémentaires

La durée de vie théorique repose sur une moyenne estimée de 4 cycles de levage par jour.

## 1.3 Limitation de responsabilité

Invacare décline toute responsabilité en cas de dommage lié à :

- un non respect du manuel d'utilisation,
- une utilisation incorrecte,
- l'usure normale,
- un assemblage ou montage incorrect par l'acheteur ou des tiers,
- des modifications techniques,
- des modifications non autorisées et/ou l'utilisation de pièces de rechange inadaptées.

## 1.4 Informations de garantie

Nous fournissons une garantie fabricant pour le produit, conformément à nos conditions générales de vente en vigueur dans les différents pays.

Les réclamations au titre de la garantie ne peuvent être adressées qu'au fournisseur auprès duquel le produit a été obtenu.

## 1.5 Conformité

La qualité est un élément fondamental du fonctionnement de notre entreprise, qui travaille conformément à la norme ISO 13485.

Ce produit porte le label CE et est conforme à la Réglementation sur les dispositifs médicaux de classe I 2017/745. La date de lancement de ce produit est indiquée dans la déclaration de conformité CE.

Nous nous efforçons en permanence de réduire au minimum notre impact sur l'environnement, à l'échelle locale et mondiale.

Nous n'utilisons que des matériaux et composants conformes au règlement REACH.

Nous respectons la législation en vigueur en matière d'environnement, notamment, les directives DEEE et RoHS.

### 1.5.1 Normes spécifiques au produit

Ce produit a été testé et il est conforme à la norme ISO 10535 (Produits d'assistance pour personnes en situation de handicap) et à toutes les normes associées.

Pour des informations complémentaires sur les normes et réglementations locales, contactez un représentant Invacare. Reportez-vous aux adresses indiquées à la fin du présent document.



## 2 Sécurité

### 2.1 Informations de sécurité générales

Cette section du manuel fournit des informations de sécurité générales en rapport avec votre produit. Pour des informations de sécurité spécifiques, reportez-vous à la section correspondante du manuel et aux procédures indiquées dans cette section.



#### AVERTISSEMENT !

##### Risque de blessure ou de dommage matériel

- N'utilisez pas ce produit ni aucun autre équipement disponible en option sans avoir lu et compris entièrement les présentes instructions et toute autre documentation d'instructions supplémentaire, telle que les manuels d'utilisation ou les fiches d'instructions fournis avec ce produit ou avec l'équipement en option. Si vous ne comprenez pas les avertissements, mises en garde ou instructions, contactez un professionnel de santé, un fournisseur Invacare ou un technicien qualifié avant d'utiliser ce produit.
- N'effectuez aucune modification ou transformation non autorisée du produit.



#### AVERTISSEMENT !

##### La charge maximale d'utilisation ne doit pas être dépassée.

- Ne dépassez pas la charge maximale d'utilisation de ce produit ou des accessoires utilisés (sangles, fléaux, etc.). Reportez-vous à la documentation ou à l'étiquette pour connaître la charge maximale d'utilisation.
- Le composant ayant la limite de charge la plus basse détermine la charge maximale d'utilisation de l'ensemble du système.



#### AVERTISSEMENT !

##### Risque de blessure ou de dommage matériel

- Une utilisation inadéquate de ce produit est susceptible d'entraîner des blessures ou des dommages matériels.
- Ne tentez jamais de transférer un patient sans l'accord de son équipe médicale.
  - Lisez les instructions contenues dans le présent manuel d'utilisation et observez des personnes expérimentées effectuer les procédures de transfert. Exercez-vous ensuite au transfert, sous supervision, et avec un individu valide jouant le rôle du patient.
  - Une attention particulière doit être apportée aux personnes souffrant de handicaps, car elles ne seront pas en mesure de coopérer lors des opérations de transfert.
  - N'utilisez pas le lève-personne comme dispositif de transport. Il est conçu pour transférer une personne d'une surface de repos à une autre.



#### AVERTISSEMENT !

##### Risque de blessure ou de dommage matériel

- Une manipulation inappropriée des câbles peut provoquer une décharge électrique et la panne du produit.
- Les câbles du produit ne doivent pas être entortillés, cisailés ou endommagés d'une manière quelconque.
  - Assurez-vous qu'aucun câble n'est coincé ou endommagé lors de l'utilisation du produit.
  - Assurez-vous que le câblage et les branchements sont corrects.
  - N'utilisez pas d'équipements non autorisés.



#### AVERTISSEMENT !

##### Risque de blessure ou de dommage matériel

- Une humidité excessive risque d'endommager le produit et de provoquer des décharges électriques.
- Le lève-personne peut s'utiliser dans une salle de bains, mais ne doit PAS être utilisé sous la douche. Le patient doit être transféré sur une chaise de douche ou doit utiliser d'autres moyens pour se doucher.
  - Si le lève-personne est utilisé dans un environnement humide, veillez à ce qu'il soit correctement nettoyé et séché après utilisation.
  - Vous ne devez pas brancher ou débrancher le câble d'alimentation dans un environnement humide ou avec les mains mouillées.
  - Ne stockez pas le produit dans un endroit humide ou s'il n'est pas parfaitement sec.
  - Assurez-vous régulièrement qu'aucun des composants du produit ne présente de traces de corrosion ou de dommages. Remplacez toutes les pièces usées ou endommagées.
  - Reportez-vous à la section *11.4 Conditions ambiantes*, page 133



#### AVERTISSEMENT !

##### Risque de blessure ou de dommage matériel

- Les sources d'inflammation peuvent provoquer des brûlures ou un incendie.
- Le transfert du patient doit être effectué avec un espace de sécurité entre le lève-personne et les sources d'inflammation possibles (chauffage, cuisinière, cheminée, etc.)
  - Le patient et les tierces-personnes ne doivent pas fumer pendant le transfert.
  - La sangle ne doit pas être placée au-dessus de sources de chaleur (chauffage, cuisinière, cheminée, etc.)



#### AVERTISSEMENT !

##### Risque de blessure ou de dommage matériel

- Pour éviter tout risque de blessure ou de dommage lors de l'utilisation du produit :
- Une surveillance étroite s'impose lorsque le produit est utilisé à proximité d'enfants ou d'animaux de compagnie.
  - Ne laissez jamais des enfants jouer avec le produit.

**ATTENTION !****Risque de blessure ou de dommage matériel**

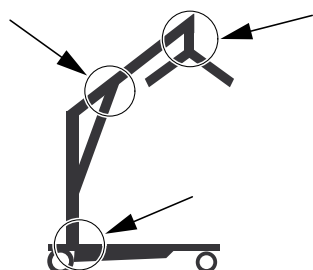
Les composants du produit peuvent devenir brûlants en cas d'exposition au soleil ou à d'autres sources de chaleur.

- N'exposez pas le produit à la lumière directe du soleil pendant des périodes prolongées.
- Éloignez le produit des sources de chaleur.

**IMPORTANT !**

L'accumulation de peluches, de poussières et d'autres saletés risque de nuire au fonctionnement du produit.

- Veillez à ce que le produit reste toujours propre.

**2.1.1 Points de pincement****AVERTISSEMENT !****Risque de blessure**

Il existe des points de pincement dans différentes zones du lève-personne qui présentent un risque de pincement pour les doigts.

- Gardez les mains toujours à distance des pièces mobiles de l'appareil.

**2.2 Informations de sécurité relatives aux accessoires****ATTENTION !****Risque de blessure**

Des accessoires non adaptés ou qui ne sont pas d'origine peuvent affecter le fonctionnement et la sécurité de ce produit.

- Du fait de différences régionales, vous devez vous reporter au site Internet ou au catalogue Invacare de votre pays pour connaître les accessoires qui sont disponibles ; vous pouvez également contacter votre fournisseur Invacare.
- Consultez les informations et les instructions figurant dans le manuel fourni avec chaque accessoire.
- Utilisez uniquement les accessoires d'origine du produit utilisé. Dans certaines circonstances, des sangles d'autres marques peuvent être utilisées. Des informations complémentaires sont données dans cette même section.
- Une évaluation des risques doit toujours être effectuée par un professionnel avant la prescription d'un système de levage. Des critères tels que Tâche, Individu, Charge, Environnement et Équipement doivent impérativement être pris en compte dans l'évaluation des risques.
- Le modèle et la taille de la sangle doivent toujours être choisis en fonction du poids, de

la taille et des aptitudes physiques du patient, tout en tenant compte du type de transfert à effectuer.

**ATTENTION !****Compatibilité des sangles avec le système de fixation**

Invacare utilise un système de fixation courant de type boucles et crochets. Les boucles situées sur les sangles se fixent sur les crochets situés sur le fléau (style cintre). De ce fait, des sangles d'autres marques qui sont adaptées à ce lève-personne peuvent également être utilisées.

- Utilisez uniquement des sangles munies de fixations à boucles qui sont adaptées aux fléaux (style cintre) avec crochets.
- N'utilisez pas des sangles conçues pour les systèmes de type « trou de serrure ou fixation par clip » ou « support basculant ».

**2.3 Informations de sécurité relatives aux interférences électromagnétiques****AVERTISSEMENT !****Risque de dysfonctionnement dû aux interférences électromagnétiques**

Des interférences électromagnétiques peuvent se produire entre ce produit et d'autres équipements électriques et affecter les fonctions de réglage électrique de ce produit. Pour prévenir, réduire ou éliminer ces interférences électromagnétiques :

- Veillez à utiliser uniquement des câbles, accessoires et pièces de rechange d'origine, afin de ne pas accroître les émissions électromagnétiques, ni réduire l'immunité électromagnétique de ce produit.
- N'utilisez aucun équipement de communication portable à fréquences radioélectriques (RF) à moins de 30 cm d'une partie quelconque de ce produit (câbles compris).
- N'utilisez pas ce produit à proximité d'un équipement chirurgical actif à haute fréquence, ni d'une salle d'imagerie à résonance magnétique avec blindage RF, où l'intensité des perturbations électromagnétiques est élevée.
- En cas de perturbations, augmentez la distance entre ce produit et l'autre équipement ou mettez-le hors tension.
- Reportez-vous aux informations détaillées figurant au chapitre 12 *Compatibilité électromagnétique (CEM)*, page 134 et suivez les recommandations.

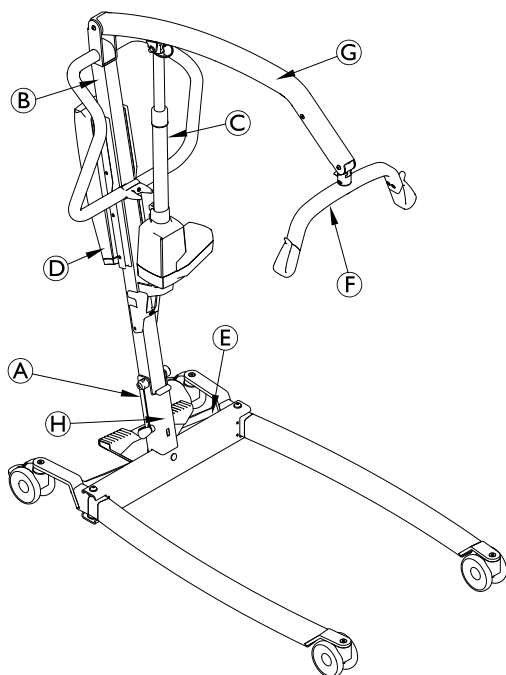
**AVERTISSEMENT !****Risque de dysfonctionnement**

Des interférences électromagnétiques peuvent affecter le fonctionnement.

- Lorsque vous l'utilisez, ce produit ne doit pas être placé à côté ou sur un autre équipement électrique. Si cela est nécessaire, il est indispensable d'inspecter rigoureusement ce produit et l'autre équipement afin de vérifier qu'ils fonctionnent normalement.

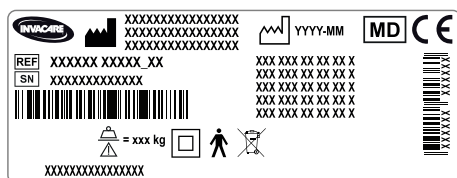
## 2.4 Étiquettes et symboles figurant sur le produit

### 2.4.1 Emplacement des étiquettes



Ⓐ	Autocollant d'identification
Ⓑ	Étiquette Consultez le manuel d'utilisation
Ⓒ	Étiquette d'avertissement sur le vérin
Ⓓ	Étiquette d'annulation de la garantie – sur le boîtier de contrôle CBJ1 et CBJ2 uniquement
Ⓔ	Étiquette des conditions ambiantes et du poids total maximum
Ⓕ	Charge maximale d'utilisation du fléau
Ⓖ	Nom et charge maximale d'utilisation du lève-personne – texte variable selon le modèle
Ⓗ	Charge maximale d'utilisation du lève-personne – texte variable selon le modèle (mât fixe uniquement)

### 2.4.2 Autocollant d'identification



L'autocollant d'identification fournit les informations principales concernant le produit, notamment les caractéristiques techniques.

#### Symboles

	Numéro de série
	Numéro de référence
	Fabricant
	Date de fabrication
	Charge maximale d'utilisation
	Équipement de classe II
	Pièce appliquée de type B
	Conforme DEEE
	Conformité européenne
	Dispositif médical



Abréviations utilisées dans les caractéristiques techniques :



- lin = Intensité en entrée
- Uin = Tension en entrée
- Int. = Intermittence
- CA = Courant alternatif
- Max = maximum
- min = minute

Pour plus d'informations sur les caractéristiques techniques, reportez-vous au chapitre 11 *Caractéristiques Techniques*, page 131

### 2.4.3 Autres symboles

	Reportez-vous au manuel d'utilisation
	Poids total du produit avec application de la charge maximale d'utilisation
	N'utilisez pas le vérin en tant que barre de poussée
	Ne retirez pas ce composant La garantie est annulée si le composant est retiré ou cassé
	Limite de température

	Limite d'humidité
	Limite de pression atmosphérique

	Conditions de transport et de stockage
	Conditions d'utilisation

## 3 Présentation du produit

### 3.1 Utilisation prévue

Le lève-personne mobile est un dispositif de transfert alimenté par batterie, conçu pour transférer et positionner une personne d'une surface de repos à une autre. Exemple :

- Entre le lit et un fauteuil roulant
- Vers et depuis la salle de bains
- Pour l'élévation et la descente de patients vers/ depuis le sol

La charge maximale d'utilisation est indiquée dans la 11 *Caractéristiques Techniques, page 131*

Le lève-personne mobile est conçu pour être utilisé à l'intérieur, sur une surface plane, dans les hôpitaux, les établissements de soins infirmiers et les zones résidentielles. Il est possible de faire tourner (pivoter) le lève-personne mobile sur place pour les transferts dans les espaces réduits.

Ce produit est conçu pour être utilisé par un professionnel de santé ou un particulier qui a été formé à cet effet.

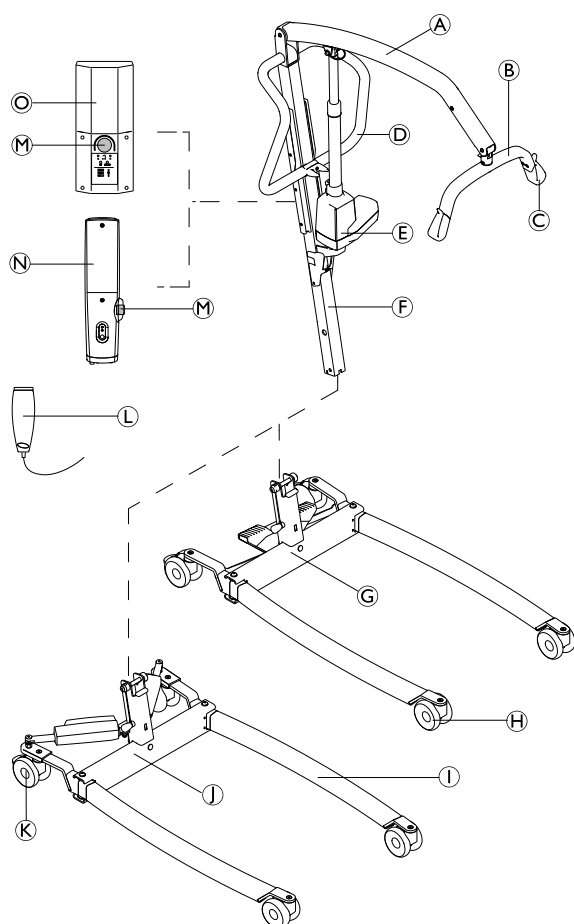
### Indications

Le lève-personne mobile est destiné aux patients complètement ou partiellement immobiles, pour lesquels l'utilisation d'autres types de lève-personne ou d'aides au transfert est impossible.

Toutes les modifications de position peuvent être effectuées sans l'aide du patient.

Ce produit ne présente aucune contre-indication connue.

### 3.2 Pièces principales du lève-personne



Ⓐ	Flèche
Ⓑ	Fléau – avec ou sans SMARTLOCK™
Ⓒ	Crochet de sangle
Ⓓ	Barre de poussée
Ⓔ	Vérin de levage
Ⓕ	Mât – pliable ou fixe
Ⓖ	Base avec pédale pour système manuel d'écartement des pieds
Ⓕ	Roulettes avant
Ⓖ	Jambe
Ⓙ	Base avec vérins pour système d'écartement des pieds électrique — avec ou sans protections pour vérins
Ⓚ	Roulettes arrière avec frein
Ⓛ	Télécommande
Ⓜ	Arrêt d'urgence
Ⓝ	Boîtier de contrôle CBJ Home avec batterie intégrée
Ⓞ	Boîtier de contrôle CBJ Care, CBJ1 ou CBJ2 avec batterie amovible

### 3.3 Accessoires

**i** En raison de différences régionales, vous devez vous reporter au site Internet ou au catalogue Invacare de votre pays pour connaître les accessoires qui sont disponibles ; vous pouvez également contacter votre fournisseur Invacare.

- Fléau à 4 points (style cintre) de 450, 500 ou 550 mm de large
- Fléau à 2 points (style cintre) de 350, 450 ou 550 mm de large
- Pèse-personne à installer avec le fléau
- Levier du système manuel d'écartement des pieds
- Chargeur mural pour batterie amovible
- Batterie supplémentaire
- Carénages de protection pour les jambes
- Rembourrage pour le fléau

Modèles de sangle avec fixations par boucle, adaptés aux fléaux (style cintre) avec crochets :

- Sangles de soutien intégral du corps – sans soutien de tête
- Sangles de soutien intégral du corps – avec soutien de tête
- Sangles pour habillement/toilette – avec ou sans soutien de tête
- Sangles pour amputé

## 4 Réglages (Mise en service)

### 4.1 Informations de sécurité générales



#### AVERTISSEMENT !

- Vérifiez l'absence de dommages dus au transport sur toutes les pièces avant utilisation.
- Si les pièces sont endommagées, n'utilisez pas l'appareil. Contactez votre fournisseur Invacare pour plus d'informations sur la marche à suivre.



#### AVERTISSEMENT ! Risque de blessure

- Un montage inadéquat est susceptible d'entraîner des blessures ou des dégâts matériels.
- Seules des pièces Invacare doivent être utilisées pour le montage de ce lève-personne.
  - Après chaque montage, vérifiez que tous les raccords sont bien serrés et que toutes les pièces fonctionnent correctement.
  - Ne serrez pas excessivement le matériel de fixation. Vous risqueriez d'endommager les supports de montage.

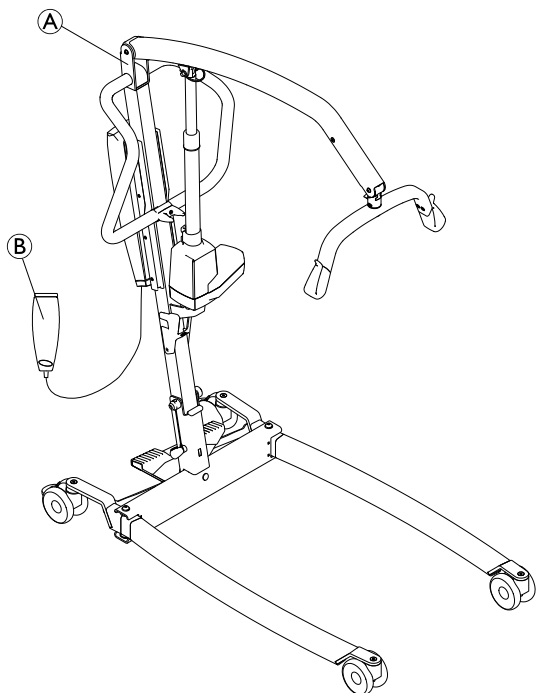


Le montage du lève-personne ne nécessite aucun outil.

En cas de problème ou de question lors du montage, adressez-vous à votre fournisseur Invacare.

### 4.2 Contenu

Les éléments qui sont inclus avec votre système varient selon les modèles et les configurations disponibles dans votre pays. Voir 1.1 Introduction, page 104



Ⓐ	Lève-personne – avec base, mât, flèche, fléau, boîtier de contrôle et vérins <ul style="list-style-type: none"> <li>• avec mât pliable (1 pièce)</li> <li>• avec mât fixe (2 pièces) – base séparée</li> </ul>
Ⓑ	Télécommande (1 pièce)
	Câble secteur (1 pièce)
	Manuel d'utilisation (1 pièce)
	Batterie (1 pièce)* – CBJ Care, CBJ1 et CBJ2 uniquement
	Levier du système manuel d'écartement des pieds (1 pièce)*
	Sangle (1 pièce)*

\* Selon le modèle et/ou la configuration



Si le lève-personne est livré avec une sangle, reportez-vous au manuel d'utilisation de la sangle pour plus de précisions sur l'utilisation, l'application, l'entretien et le nettoyage.

### 4.3 Installation du mât

#### 4.3.1 Dépliage du mât

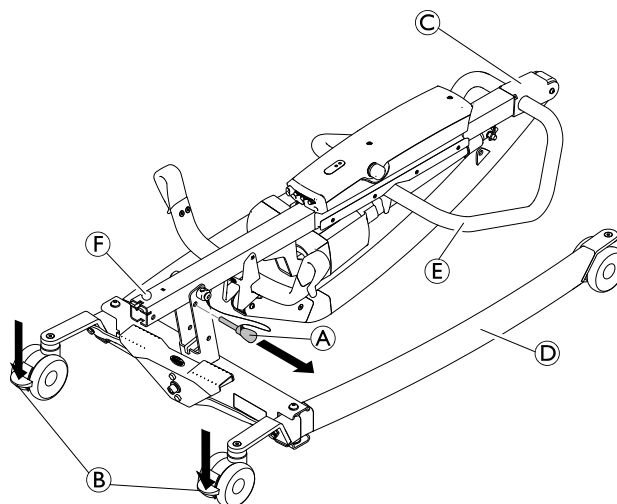
(mât pliable uniquement)



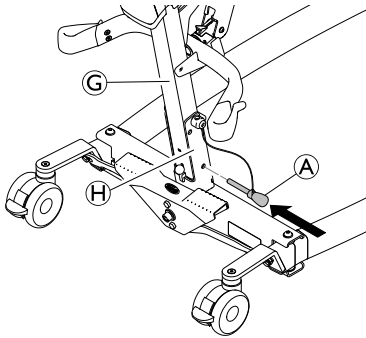
#### AVERTISSEMENT !

- Il est possible de plier le mât pour son rangement ou son transport. Chaque fois que le mât est plié, il DOIT être correctement fixé à la base.
- Avant le montage, assurez-vous que toutes les pièces sont exemptes de dommages ou défauts visibles. En cas de dommage, n'utilisez pas le produit et contactez votre fournisseur Invacare.
- Assurez-vous que l'arrêt d'urgence est activé avant le montage ou le démontage.
- Prenez toutes les précautions nécessaires lorsque vous soulevez les composants lors du montage. Certaines pièces sont lourdes. Veillez à toujours adopter une posture adéquate pour le levage.

Les opérations de déballage et de montage doivent toujours être effectuées au niveau du sol.



1. Verrouillez les deux roulettes arrière ②. Retirez la goupille de verrouillage ①.
2. Hissez le mât ③ à la verticale en posant un pied sur le pied ④ et en tirant la barre de poussée ⑤ vers le haut jusqu'à ce que le cran de sûreté ⑥ se mette en place.
- 3.



Réintroduisez la goupille de verrouillage ① dans le mât ③ et dans la base ④. Assurez-vous que la goupille de verrouillage est correctement insérée.

### 4.3.2 Fixation du mât à la base

(mât fixe uniquement)



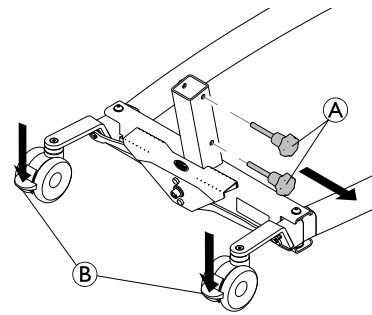
**AVERTISSEMENT !**

**Risque de blessure ou de dommage matériel**

La charge maximale d'utilisation indiquée sur la flèche et la base doit être identique.

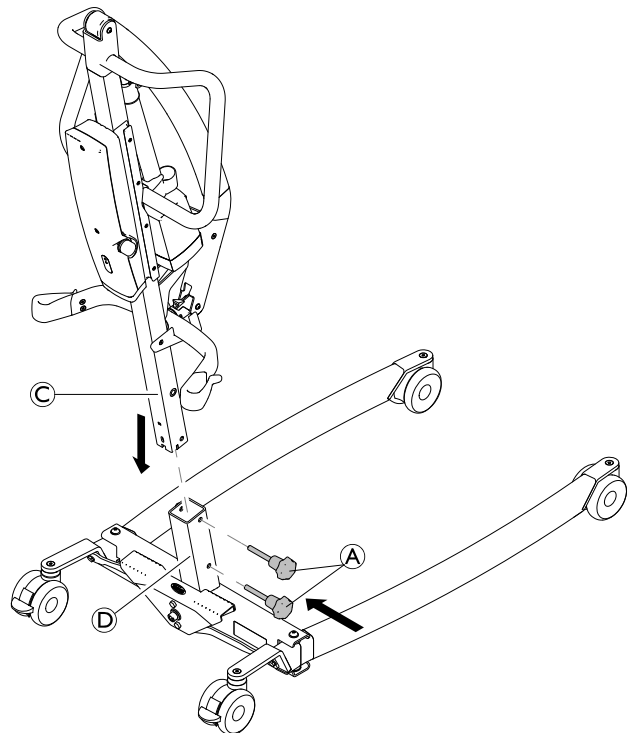
- Comparez toujours les valeurs de charge maximale d'utilisation indiquées sur la base et sur la flèche.

- 1.



Verrouillez les deux roulettes arrière ② et faites pivoter les vis à molette ① dans le sens inverse des aiguilles d'une montre pour les retirer de la base

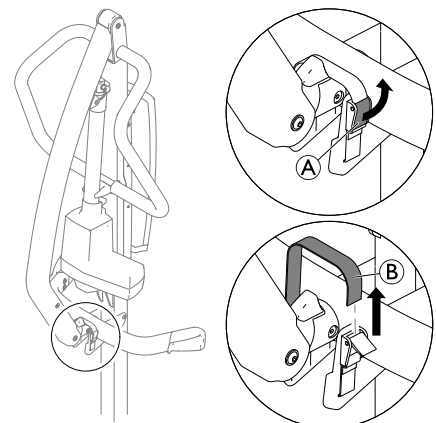
- 2.



La flèche étant orientée vers l'avant, abaissez le mât ③ dans le support de la base ④ et remettez les vis à molette ① en place pour fixer le mât ③ à la base.

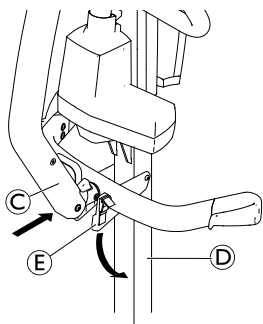
### 4.4 Dépliage du fléau

- 1.



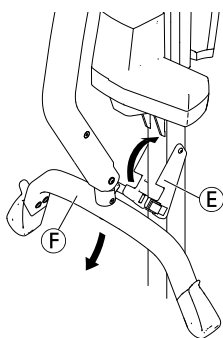
Ouvrez le dispositif de fixation ① et retirez la bande ② de la boucle de serrage.

2.



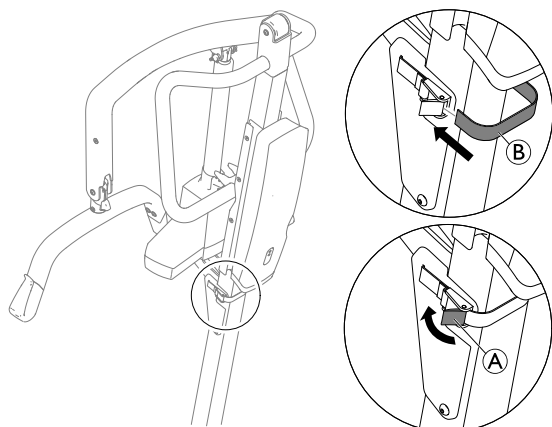
Poussez la flèche © vers le mât © et tout en la maintenant, rabattez le support du fléau ©.

3.



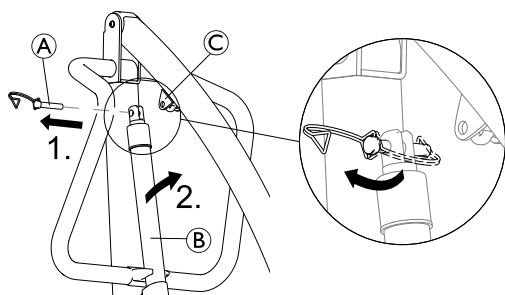
Rabattez le fléau ©, puis le support du fléau ©.

4.

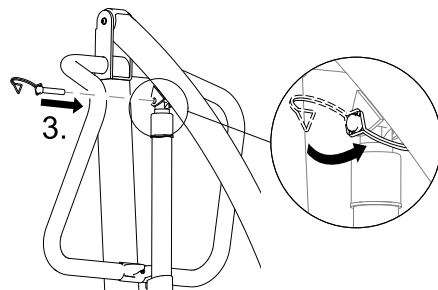


Enroulez la bande © autour de la partie arrière du mât, insérez-la dans la boucle de serrage et fermez le dispositif de fixation ©.

#### 4.5 Installation du vérin sur la flèche



1. Libérez la fixation D et retirez la broche © du vérin ©.
2. Retirez le vérin © du support du mât et fixez-le au support de montage de la flèche ©.
- 3.




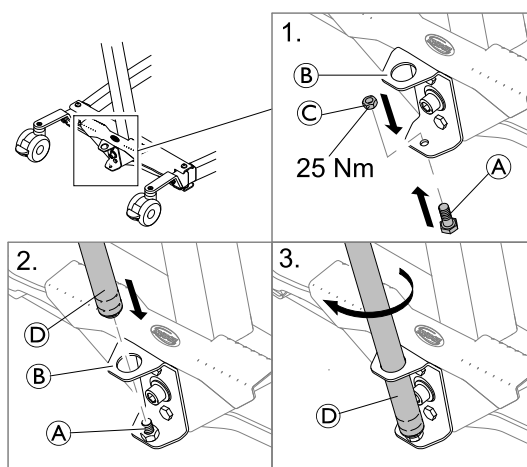
Alignez les trous et réinstallez la broche ©. Assurez-vous que la broche est complètement insérée et fixez-la au moyen de D-clip.

#### ! IMPORTANT

En raison de charges plus élevées, le modèle Birdie® EVO XPLUS exige une broche plus longue.  
– Utilisez uniquement le modèle Birdie® EVO XPLUS avec la broche la plus longue, indiquée par une fixation D-clip de couleur noire.

#### 4.6 Installation du levier du système manuel d'écartement des pieds

 2 clés de 13 mm



1. Insérez le boulon © par le dessous dans le trou inférieur du support © et fixez-le avec l'écrou ©.
2. Insérez l'extrémité fileté du levier © dans le trou supérieur du support © sur le boulon fixe ©.
3. Tournez le levier © dans le sens des aiguilles d'une montre pour le visser sur le boulon.



## 4.7 Réinitialisation du témoin lumineux de révision

(boîtier de contrôle CBJ Care uniquement)



### **IMPORTANT !**

Si le témoin lumineux de révision s'allume en jaune et clignote pendant l'utilisation quotidienne ou après un remontage, cela signifie que le lève-personne a besoin d'une révision.

– Contactez votre fournisseur Invacare pour effectuer un entretien.

Après le montage initial du lève-personne, le témoin lumineux de révision doit être réinitialisé avant l'utilisation du lève-personne.

Pour effectuer la réinitialisation initiale du témoin lumineux de révision :

1. Repérez la télécommande.
2. Appuyez simultanément sur les flèches HAUT et BAS pendant cinq secondes.
3. Un son est émis lors de la réinitialisation du témoin lumineux de révision.

## 5 Utilisation

### 5.1 Informations de sécurité générales



#### AVERTISSEMENT !

#### Risque de blessure ou de dommage matériel

Avant d'utiliser le lève-personne pour un patient, reportez-vous aux informations et instructions de sécurité suivantes :

- 2 Sécurité, page 105
- 6 Transfert du patient, page 119

### 5.2 Verrouillage/déverrouillage des roulettes arrière

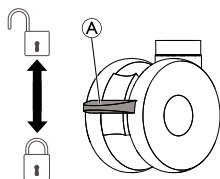


#### AVERTISSEMENT !

#### Risque de blessure ou de dommage matériel

Le lève-personne risque de basculer et de mettre le patient et les assistants en danger.

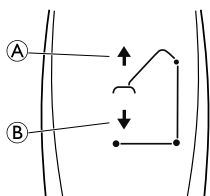
- Invacare recommande que les roulettes arrière soient déverrouillées lors du soulèvement du patient pour permettre la stabilité du lève-personne lorsque le patient est soulevé à partir d'une chaise, d'un lit ou d'un emplacement fixe.
- Invacare recommande de verrouiller les roulettes arrière du lève-personne uniquement au moment d'installer le patient dans la sangle ou de l'en sortir.



- Pour verrouiller la roulette, appuyez le pied sur la pédale (A).
- Pour déverrouiller la roulette, poussez du pied la pédale (A) vers le haut.

### 5.3 Élévation et descente du lève-personne électrique

La télécommande permet de relever ou d'abaisser le lève-personne.



1. Pour élever le lève-personne : appuyez sur le bouton Flèche haut (A) et maintenez-le enfoncé pour élever la flèche et le patient.
2. Pour faire descendre le lève-personne : appuyez sur le bouton Flèche bas (B) et maintenez-le enfoncé pour abaisser la flèche et le patient.



Relâchez le bouton pour arrêter l'élévation ou la descente du lève-personne.

### 5.4 Ouverture/fermeture des pieds



#### AVERTISSEMENT !

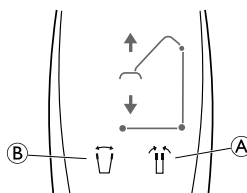
#### Risque de blessure

Le lève-personne risque de basculer et de mettre le patient et les assistants en danger.

- Les pieds du lève-personne doivent être complètement ouverts afin d'assurer une stabilité et une sécurité optimales. Si vous devez fermer les pieds du lève-personne pour placer le lève-personne sous un lit, fermez-les aussi longtemps que nécessaire pour positionner l'appareil et soulever le patient hors du lit. Lorsque les pieds du lève-personne ne se trouvent plus sous le lit, ouvrez-les complètement à nouveau.

#### 5.4.1 Ouverture/fermeture des pieds électriques

La télécommande permet d'ouvrir ou de fermer les pieds de la base.

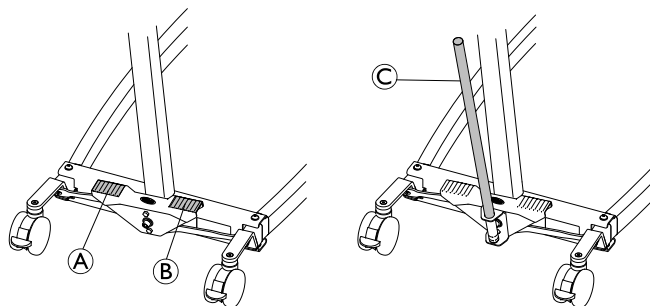


1. Pour fermer les pieds, appuyez sur le bouton représentant les pieds fermés (A) et maintenez-le enfoncé.
2. Pour ouvrir les pieds, appuyez sur le bouton représentant les pieds ouverts (B) et maintenez-le enfoncé.



Les pieds s'immobilisent lorsque le bouton est relâché.

#### 5.4.2 Fermeture/ouverture manuelle des pieds



Le système manuel d'écartement des pieds est actionné par deux pédales (A et B) ou par le levier C.

1. Pour ouvrir les pieds, appuyez sur la pédale droite (B) avec un pied.
2. Pour fermer les pieds, appuyez sur la pédale gauche (A) avec un pied.

Avec le levier :

1. Pour ouvrir les pieds, tirez le levier (C) vers la droite.
2. Pour fermer les pieds, poussez le levier (C) vers la gauche.

### 5.5 Remplacement du fléau

(fléau avec SMARTLOCK™ uniquement)

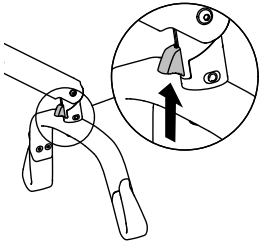


### AVERTISSEMENT ! Risque de blessure

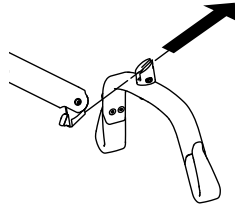
- Utilisez exclusivement des fléaux spécialement conçus pour ce lève-personne.
- Vérifiez que le fléau est adapté au patient et à l'élévation ou au transfert à effectuer.
- Vérifiez que le fléau est fermement fixé au connecteur de la flèche et ne peut pas se libérer sans qu'on appuie sur le bouton de déverrouillage.

## Démontage du fléau

1.



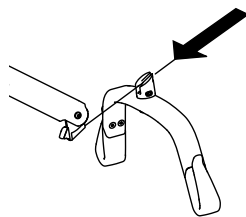
2.



1. Poussez le bouton de déverrouillage vers le haut et maintenez la pression.
2. Faites glisser le fléau vers l'extérieur en le faisant avancer légèrement vers le haut.

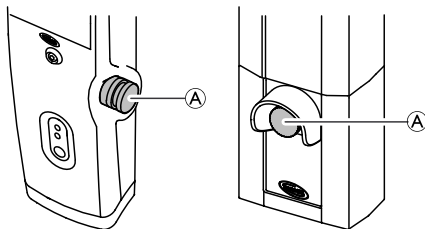
## Fixation d'un fléau

1. Introduisez le fléau et faites-le glisser jusqu'à ce que vous entendiez un déclic.
2. Vérifiez que le fléau est fermement fixé au connecteur de la flèche et ne peut pas se libérer sans qu'on appuie sur le bouton de déverrouillage.



## 5.6 Fonctions d'urgence

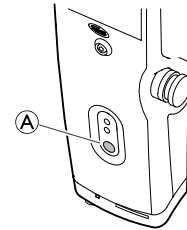
### 5.6.1 Procédure d'arrêt d'urgence



1. Appuyez sur le bouton d'arrêt d'urgence rouge (A) du boîtier de contrôle pour arrêter l'élévation ou la descente de la flèche et du patient.
2. Pour réinitialiser, tournez le bouton d'urgence dans le sens des aiguilles d'une montre.

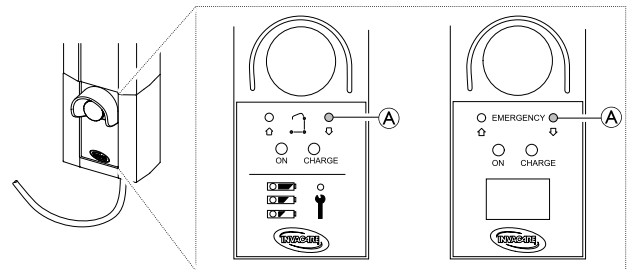
### 5.6.2 Activation d'un abaissement d'urgence (boîtier de contrôle CBJ Home)

En cas de panne de la télécommande, il est possible d'abaisser la flèche au moyen du bouton de déverrouillage d'urgence.



1. Pour abaisser la flèche, appuyez sur le bouton (A) à l'avant du boîtier de contrôle et maintenez-la enfoncé.
2. Relâchez le bouton pour arrêter la descente de la flèche.

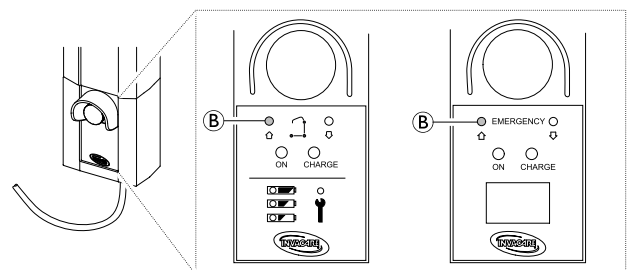
### 5.6.3 Activation d'un abaissement d'urgence (boîtier de contrôle CBJ Care, CBJ1, CBJ2)



En cas de panne de la télécommande, il est possible d'abaisser la flèche au moyen du bouton de déverrouillage d'urgence. Utilisez un objet pointu, comme un crayon, pour appuyer sur le bouton.

1. Pour abaisser la flèche, appuyez sur le bouton (A) à l'avant du boîtier de contrôle et maintenez-la enfoncé.
2. Relâchez le bouton pour arrêter la descente de la flèche.

### 5.6.4 Activation d'une élévation d'urgence (boîtier de contrôle CBJ Care, CBJ1)



En cas de panne de la télécommande, il est possible d'élever la flèche au moyen du bouton d'élévation d'urgence. Utilisez un objet pointu, comme un crayon, pour appuyer sur le bouton.

1. Pour élever la flèche, appuyez sur le bouton (B) à l'avant du boîtier de contrôle et maintenez-le enfoncé.
2. Relâchez le bouton pour arrêter l'élévation de la flèche.

### 5.6.5 Activation d'un abaissement mécanique d'urgence

Si l'abaissement d'urgence sur le boîtier de contrôle ne fonctionne pas, vous pouvez utiliser un abaissement d'urgence mécanique de secours. Cela peut arriver en cas

de panne électrique partielle ou totale, ou de décharge de la batterie en cours d'utilisation.



#### AVERTISSEMENT !

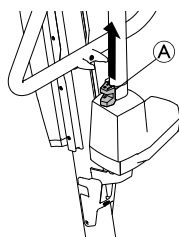
##### Risque de blessure ou de dommage matériel

L'utilisation répétée de l'abaissement d'urgence mécanique entraîne une augmentation importante de la vitesse d'abaissement.

- L'abaissement d'urgence mécanique ne doit être utilisé que comme fonction de secours, lorsque l'abaissement d'urgence du boîtier de contrôle ne fonctionne pas.
- Vous ne devez pas utiliser l'abaissement d'urgence mécanique à plusieurs reprises de façon rapprochée.
- Abaissez toujours le patient sur une surface solide, comme un lit ou une chaise.
- Lorsqu'un abaissement d'urgence mécanique a été nécessaire, le lève-personne doit ensuite être vérifié afin de réparer le dysfonctionnement du boîtier de contrôle.

### Birdie® EVO et Birdie® EVO PLUS/XPLUS

1. Repérez la poignée d'urgence rouge **A** au bas du piston du vérin.
2. Tirez lentement la poignée d'urgence rouge **A** vers le haut et maintenez-la en place lorsqu'une vitesse d'abaissement correcte est atteinte.
3. Si l'abaissement ne se produit pas alors que la poignée d'urgence rouge **A** est tirée à fond, poussez en même temps la flèche vers le bas.



La vitesse d'abaissement effective dépend du poids du patient. Si la vitesse est insuffisante ou trop élevée, elle peut être adaptée au poids du patient.

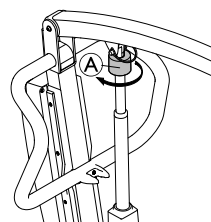
Réglage de la vitesse d'abaissement :

1. Repérez la vis située dans le trou inférieur de la poignée d'urgence rouge **A**.
2. Faites tourner la vis dans le sens inverse des aiguilles d'une montre pour augmenter la vitesse.
3. Faites tourner la vis dans le sens des aiguilles d'une montre pour diminuer la vitesse.

### Birdie® EVO COMPACT

(en option)

1. Repérez la molette de déverrouillage d'urgence **A** dans la partie supérieure du piston du vérin.
2. Tournez la molette de déverrouillage d'urgence **A** dans le sens des aiguilles d'une montre.



## 5.7 Recharge de la batterie



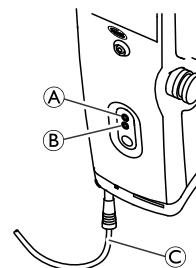
#### IMPORTANT !

- Assurez-vous que l'arrêt d'urgence n'est pas actionné pendant le chargement de la batterie.
- Veillez à ce que le chargement soit effectué dans une pièce bien ventilée.
- Les fonctions électriques ne peuvent pas être utilisées lorsque le lève-personne est raccordé à une alimentation électrique.
- N'essayez pas d'utiliser le lève-personne si le bloc batterie est endommagé.
- Remplacez un bloc batterie endommagé avant toute nouvelle utilisation.
- Avant de déplacer le lève-personne, veillez à le débrancher.

Un chargement quotidien de la batterie est recommandé afin d'optimiser l'utilisation du lève-personne et de prolonger la durée de vie de la batterie. Il est par ailleurs conseillé de charger la batterie avant la première utilisation.

### 5.7.1 Boîtier de contrôle CBJ Home

Le boîtier de contrôle est équipé d'un signal sonore. Un bip indique que la batterie est déchargée, mais que l'abaissement du patient reste possible. Il est recommandé de recharger les batteries dès que le signal sonore est émis.



1. Branchez le cordon d'alimentation **C** sur une prise de courant.



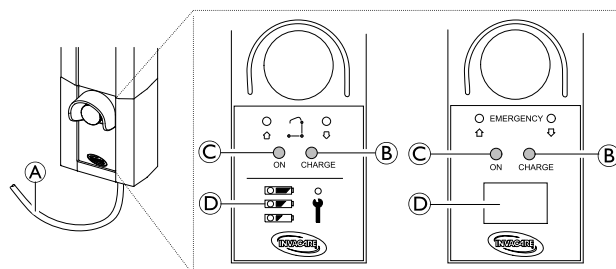
La batterie se charge en 4 heures environ. Le chargeur s'arrête automatiquement dès qu'elle est complètement rechargée.

Le témoin supérieur jaune **A** clignote pendant le chargement, puis reste allumé en fixe dès que l'opération est terminée.

Le témoin inférieur vert **B** reste allumé en continu lorsque le boîtier de contrôle est branché sur le secteur, et s'allume lorsque l'utilisateur appuie sur un bouton de la télécommande ou active le dispositif d'abaissement d'urgence.

2. Déconnectez le cordon d'alimentation de la prise de courant quand la batterie est complètement chargée.

### 5.7.2 Boîtier de contrôle CBJ Care, CBJ1, CBJ2



Le boîtier de contrôle est équipé d'un signal sonore. Un bip indique que la batterie est déchargée, mais que l'abaissement du patient reste possible. Il est recommandé de recharger les batteries dès que le signal sonore est émis.

1. Branchez le cordon d'alimentation **A** sur une prise de courant.



La batterie se charge en 4 heures environ. Le chargeur s'arrête automatiquement dès qu'elle est complètement rechargée.

Le témoin droit jaune **B** reste allumé pendant le chargement, puis s'éteint dès que l'opération est terminée.

Le témoin vert gauche **C** reste allumé en continu lorsque le boîtier de contrôle est branché sur le secteur.

2. Débranchez le cordon d'alimentation **A** de la prise de courant quand la batterie est complètement chargée.

### Témoin de batterie

Selon le modèle, le boîtier de contrôle peut comporter un témoin de batterie **D** qui indique la capacité restante de la batterie.

#### CBJ Care

Type de témoin de batterie	État de la batterie	Description
	Charge complète	La batterie n'a pas besoin d'être rechargée (charge comprise entre 100 et 50 %). La LED du haut est VERTE.
	Charge partielle	La batterie a besoin d'être rechargée (charge comprise entre 50 et 25 %). La LED du milieu est JAUNE.
	Charge insuffisante	La batterie a besoin d'être rechargée (charge inférieure à 25 %). Un signal sonore est émis lorsque vous appuyez sur un bouton. La LED du bas est JAUNE.
	Charge insuffisante (LED clignotante)	La batterie a besoin d'être rechargée. Certaines des fonctionnalités du lève-personne ne sont plus accessibles et seul l'abaissement de la flèche est possible.

#### CBJ1 et CBJ2 avec LCD

Type de témoin de batterie	État de la batterie	Description
	Charge complète (100 %)	La batterie n'a pas besoin d'être rechargée (100 %).
	Charge partielle (75 %)	La batterie n'a pas besoin d'être rechargée (75 %).
	Charge partielle (50 %)	La batterie a besoin d'être rechargée (50 %).
	Charge insuffisante (25 %)	La batterie a besoin d'être rechargée (25 %). Un signal sonore est émis lorsque vous appuyez sur un bouton.
	Charge insuffisante (0 %)	La batterie a besoin d'être rechargée. Certaines des fonctionnalités du lève-personne ne sont plus accessibles et seul l'abaissement de la flèche est possible.


### 5.7.3 Télécommande en option

Une télécommande en option avec témoin de batterie est disponible pour le modèle CBJ Care.

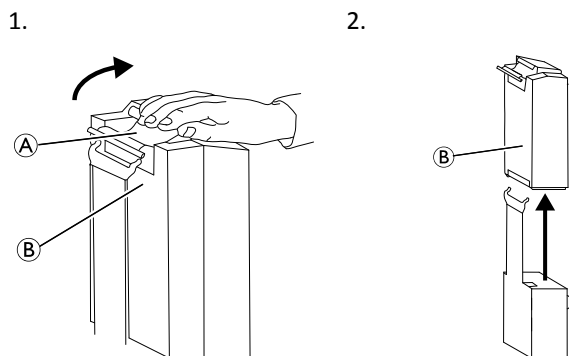
Type de témoin de batterie	État de la batterie	Description
	Charge complète	La batterie n'a pas besoin d'être rechargée (charge comprise entre 100 et 50 %). La LED de droite est VERTE.
	Charge partielle	La batterie a besoin d'être rechargée (charge comprise entre 50 et 25 %). La LED du milieu est JAUNE.
	Charge insuffisante	La batterie a besoin d'être rechargée (charge inférieure à 25 %). Un signal sonore est émis lorsque vous appuyez sur un bouton. La LED de gauche est JAUNE.
	Charge insuffisante (LED clignotante)	La batterie a besoin d'être rechargée. Certaines des fonctionnalités du lève-personne ne sont plus accessibles et seul l'abaissement de la flèche est possible.

## 5.7.4 Chargeur de batterie en option

(pour les boîtiers de contrôle avec batterie amovible uniquement)

-  La procédure de démontage ou d'installation de la batterie est identique pour le boîtier de contrôle et le chargeur.

### Retrait de la batterie



1. Soulevez la poignée **A** à l'arrière de la batterie **B**.
2. Soulevez la batterie pour la retirer du boîtier de contrôle ou du chargeur.

### Installation de la batterie

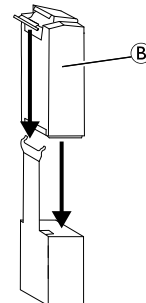



### ATTENTION !

Une mise en place incorrecte de la batterie est susceptible d'entraîner des blessures ou des dégâts matériels.

- Assurez-vous qu'un déclic se fait entendre lors de la mise en place de la batterie dans le boîtier de contrôle ou le chargeur pour vous assurer qu'elle est bien en place.

1. Placez la batterie **B** dans le boîtier de contrôle ou le chargeur comme indiqué ; vous devez entendre un déclic.



-  Lorsque la batterie est en place dans le chargeur, la LED de chargement doit s'allumer. Le chargement terminé, la LED de chargement s'éteint.

Le rechargement complet d'une batterie exige environ quatre heures.

## 6 Transfert du patient

### 6.1 Informations de sécurité générales



#### AVERTISSEMENT !

##### Risque de blessure ou de dommage matériel

Une utilisation inadéquate de ce produit est susceptible d'entraîner des blessures ou des dommages matériels.

- Avant tout transfert sur un emplacement fixe (fauteuil roulant, lit, chaise toilettes ou autre surface), assurez-vous que la capacité du fauteuil roulant est suffisante pour supporter le poids du patient.
- Le cas échéant, le blocage des roues ou des roulettes de l'emplacement fixe (fauteuil roulant, lit, etc.) doit être enclenché avant de faire descendre ou de soulever le patient.



#### AVERTISSEMENT !

##### Risque de blessure ou de dommage matériel

Une utilisation inadéquate de ce produit est susceptible d'entraîner des blessures ou des dommages matériels.

- Utilisez toujours les barres de poussée se trouvant sur le mât pour pousser ou tirer le lève-personne.
- Évitez d'utiliser le lève-personne sur une pente. Invacare recommande d'utiliser le produit sur des surfaces planes exclusivement.
- Pendant le transfert, alors que le patient est suspendu dans la sangle fixée au lève-personne, NE faites PAS rouler le lève-personne sur des surfaces inégales qui risqueraient de le faire basculer.



#### AVERTISSEMENT !

##### Risque de blessure ou de dommage matériel

Tout dommage occasionné aux pièces du lit (télécommande, roulettes, etc.) suite à un impact avec le sol, les murs ou autres objets fixes est susceptible de détériorer le produit et d'entraîner des blessures.

- ÉVITEZ IMPÉRATIVEMENT tout choc entre les pièces du lève-personne et le sol, les murs et autres objets fixes.
- Rangez TOUJOURS la télécommande lorsqu'elle n'est pas utilisée.



#### AVERTISSEMENT !

##### Risque de blessure

Le fléau peut se déplacer brusquement et entraîner des blessures.

- Lors du positionnement du lève-personne, tenez compte de la position du fléau et du patient.



#### AVERTISSEMENT !

##### Risque de coincement/strangulation

Le cordon de la télécommande peut occasionner des blessures s'il n'est pas positionné et rangé correctement.

- Contrôlez TOUJOURS l'emplacement du cordon de la télécommande par rapport au patient et aux soignants.
- VEILLEZ à ce que le cordon de la télécommande ne s'enroule pas autour du patient et des soignants.
- La télécommande doit être rangée correctement. Rangez TOUJOURS la télécommande lorsqu'elle n'est pas utilisée.



#### AVERTISSEMENT !

##### Risque de coincement/strangulation

Les objets qui se trouvent à proximité du patient sont susceptibles d'entraîner un coincement ou une strangulation lors des procédures de levage. Pour éviter tout risque de coincement ou de strangulation :

- Avant le levage, assurez-vous que le patient est complètement dégagé des objets qui l'entourent.



#### AVERTISSEMENT !

##### Risque de coincement

Il existe un risque de coincement entre les crochets du fléau et la sangle.

- Prenez toutes les précautions nécessaires lors des opérations de levage.
- Ne placez JAMAIS vos mains ou vos doigts sur ou à côté des crochets lors des opérations de levage.
- Veillez à ce que les mains et les doigts du patient soient éloignés des crochets lors des opérations de levage.



#### IMPORTANT !

Toutes les procédures de transfert décrites ci-après peuvent être effectuées par une (1) tierce-personne. Toutefois, dans la mesure du possible, Invacare recommande que ces procédures soient effectuées par deux tierces-personnes.

### 6.2 Préparation au soulèvement



#### AVERTISSEMENT !

##### Risque de blessure

Lors des transferts et des opérations de soulèvement, la flèche risque de heurter le patient ou les soignants et d'occasionner des blessures.

- Lors des transferts, tenez TOUJOURS compte de la position de la flèche.
- Assurez-vous que la position de la flèche ne présente aucun risque pour le patient ou pour son entourage.
- Lors des transferts, prenez TOUJOURS garde à la position de votre corps par rapport à la flèche.

1. Avant de continuer, vérifiez les informations et tenez compte de toutes les mises en garde indiquées à la section 2 *Sécurité, page 105* et *Soulèvement du patient*.
2. Positionnez le patient dans la sangle. Reportez-vous au manuel d'utilisation fourni avec votre sangle.
3. Déverrouillez les roulettes arrière. Reportez-vous à la section 5 *Utilisation, page 114*.
4. Ouvrez les pieds du lève-personne. Reportez-vous à la section 5 *Utilisation, page 114*.
5. Utilisez les barres de poussée pour positionner le lève-personne.

**AVERTISSEMENT !**

- Lorsque le lève-personne est utilisé avec des lits ou des fauteuils roulants, veillez à la position du lève-personne par rapport à celle de ces autres appareils afin de ne pas coincer le lève-personne.
- Avant de positionner les pieds du lève-personne sous un lit, assurez-vous que la zone est exempte d'obstacles.

6. Abaissez le lève-personne pour faciliter la fixation de la sangle.
7. Verrouillez les roulettes arrière. Voir 5 *Utilisation, page 114*.
8. Fixez la sangle. Voir 6.2.1 *Installation de la sangle sur le lève-personne, page 120*.

### 6.2.1 Installation de la sangle sur le lève-personne

**AVERTISSEMENT !**  
**Risque de blessure**

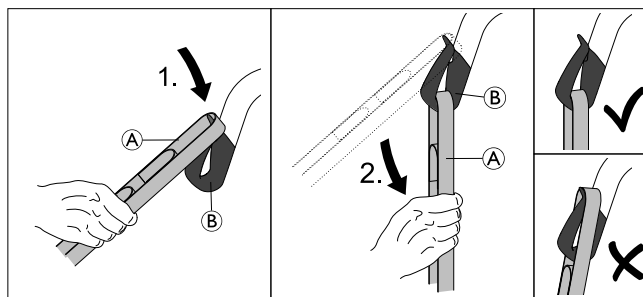
- L'utilisation de sangles non adaptées ou endommagées peut provoquer la chute du patient ou occasionner des blessures aux tierces-personnes.
- Utilisez une sangle approuvée par Invacare et recommandée par le médecin, l'infirmier ou l'assistant médical afin d'assurer la sécurité et le confort du patient durant la levée.
  - Les sangles et accessoires pour lève-personne Invacare sont spécialement conçus pour être utilisés en combinaison avec les lève-personne Invacare.
  - Après chaque lavage (conformément aux instructions figurant sur la sangle), assurez-vous que les sangles ne sont pas usées, déchirées ou décousues.
  - Toute sangle javellisée, déchirée, coupée, effilochée ou endommagée est dangereuse et risque d'occasionner des blessures. Jetez-la immédiatement.
  - NE modifiez PAS les sangles.

**AVERTISSEMENT !**  
**Risque de blessure**

Des sangles mal installées ou mal réglées peuvent provoquer la chute du patient ou occasionner des blessures aux tierces-personnes.

- Vérifiez les attaches de la sangle chaque fois qu'une sangle est retirée et remplacée, afin de vous assurer qu'elle est bien fixée avant de déplacer le patient à partir d'un emplacement fixe (lit, chaise ou chaise toilette).
- Le fléau DOIT être fixé au lève-personne AVANT l'installation de la sangle.
- N'UTILISEZ AUCUN type de serviette d'incontinence plastifiée ni coussin d'assise entre le patient et les sangles afin d'éviter que le patient ne glisse de la sangle pendant le transfert.
- Assurez-vous que la tête du patient est bien soutenue pendant le soulèvement.
- Positionnez le patient dans la sangle conformément aux instructions fournies avec cette dernière.
- Les réglages de sécurité et de confort du patient doivent être effectués avant le déplacement de ce dernier.

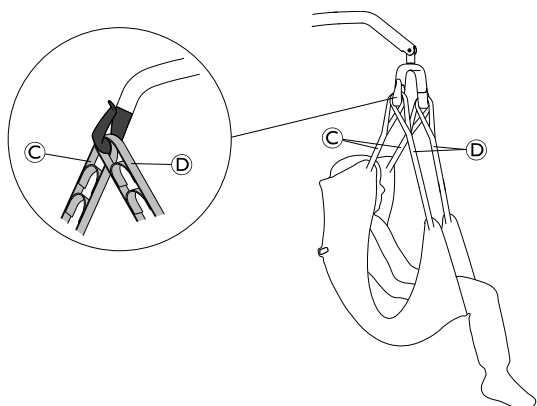
Les bandes de la sangle sont parfois équipées de boucles à code couleur fournissant des longueurs différentes et permettant de placer le patient dans différentes positions. Des bandes plus courtes situées au niveau des épaules produiront un soulèvement plus vertical, ce qui facilitera le positionnement du patient dans un fauteuil ou un fauteuil roulant. En rallongeant les bandes au niveau des épaules, il est possible d'obtenir une position plus inclinée mieux adaptée au transfert du patient du fauteuil au lit. Faites toujours correspondre les couleurs des boucles de chaque bande correspondante de chaque côté de la sangle pour un soulèvement uniforme du patient.





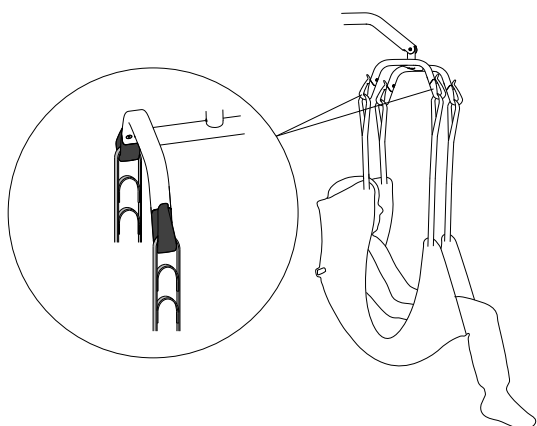
1. Placez la boucle de bande souhaitée (A) sur l'extrémité du crochet (B).
2. Tirez la bande (A) vers le bas jusqu'à ce que la boucle soit bien au fond du crochet (B).
3. Répétez les étapes pour chacune des bandes restantes de la sangle.

a.



Sur un fléau à 2 points, fixez la bande des épaules (C) devant la bande de la jambe (D) sur chacun des crochets.

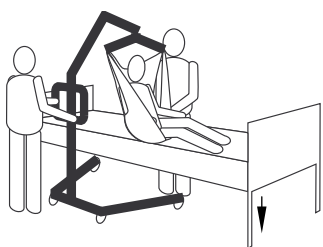
b.



Sur un fléau à 4 points, fixez chacune des bandes à un crochet individuel.

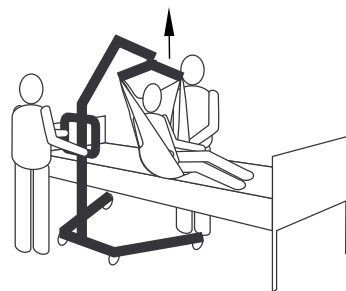
### 6.3 Transfert du patient à partir d'un lit

1. Préparez-vous au soulèvement. Reportez-vous à la section 6.2 Préparation au soulèvement, page 119
2. Accrochez la sangle au lève-personne. Reportez-vous à la section 6.2.1 Installation de la sangle sur le lève-personne, page 120
3. Déverrouillez les roulettes arrière.



Abaissez le lit à sa position la plus basse.

5.

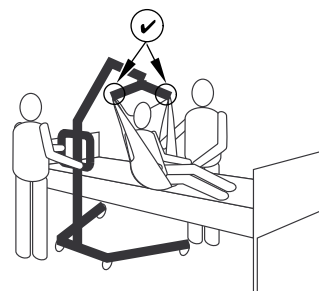


Soulevez le patient à une hauteur suffisante pour le libérer de l'emplacement fixe en faisant en sorte qu'il soit entièrement soutenu par le lève-personne.



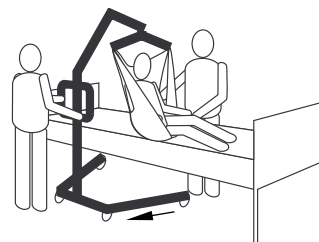
La flèche reste dans cette position jusqu'à ce que vous appuyiez sur le bouton BAS.

6.



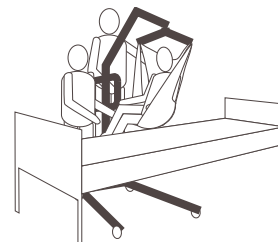
Avant de déplacer le patient, assurez-vous à nouveau que la sangle est correctement fixée aux crochets du fléau. Reportez-vous à la section 6.2.1 Installation de la sangle sur le lève-personne, page 120. Si l'une des attaches n'est pas correctement installée, redescendez le patient sur l'emplacement fixe et corrigez le problème.

7.



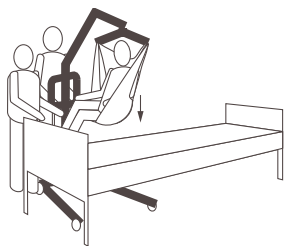
Éloignez le lève-personne de l'emplacement fixe à l'aide des barres de poussée.

8.



À l'aide des poignées de la sangle, tournez le patient pour qu'il se retrouve face à la tierce-personne qui manœuvre le lève-personne.

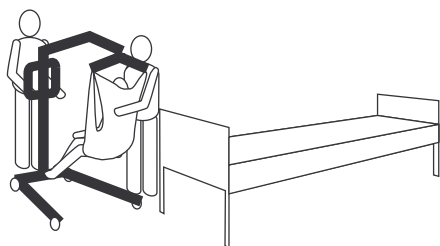
9.



Abaissez le patient jusqu'à ce que ses pieds reposent sur la base du lève-personne, de part et d'autre du mât.

**i** Avec un centre de gravité plus bas, la stabilité est meilleure, le patient se sent plus en sécurité et le déplacement du lève-personne est facilité.

10.



Déplacez le lève-personne en tenant fermement les barres de poussée des deux mains.

11. Procédez au transfert sur une autre surface de repos ou emplacement fixe.

## 6.4 Transfert du patient dans un lit

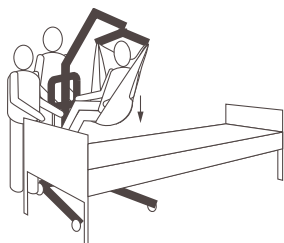
1. Effectuez les étapes suivantes en plus de celles indiquées pour soulever le patient se trouvant sur une autre surface de repos ou un emplacement fixe.

2.



Élevez ou abaissez le lève-personne pour positionner le patient sur la surface plane. Veillez à soulever ou abaisser suffisamment le patient afin de dégager les côtés de l'emplacement fixe.

3.



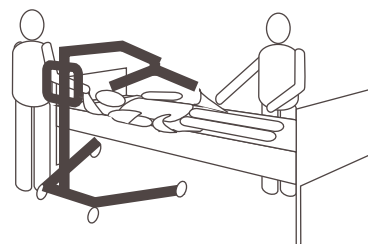
Abaissez le patient sur la surface plane.

4. Assurez-vous que le patient repose complètement sur la surface vers laquelle vous effectuez le transfert.

5. Verrouillez les roulettes arrière.

6. Élevez le lit jusqu'à atteindre une hauteur de travail adéquate (généralement la hauteur de hanche des soignants).

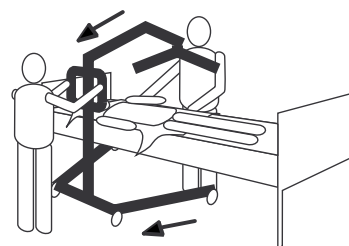
7.



Décrochez la sangle du fléau.

8. Déverrouillez les roulettes arrière.

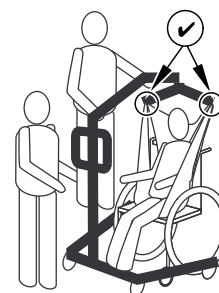
9.



Éloignez le lève-personne de la zone.

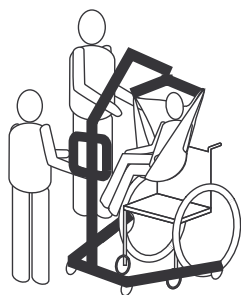
## 6.5 Transfert d'un patient à partir d'un fauteuil roulant

1. Enclenchez les freins de stationnement du fauteuil roulant afin d'empêcher son déplacement.
2. Préparez-vous au soulèvement. Reportez-vous à la section 6.2 Préparation au soulèvement, page 119
3. Assurez-vous que le fauteuil roulant est placé entre les pieds ouverts du lève-personne, le patient étant tourné vers le mât.
4. Accrochez la sangle au lève-personne. Reportez-vous à la section 6.2.1 Installation de la sangle sur le lève-personne, page 120
5. Déverrouillez les roulettes arrière.
- 6.



Levez la flèche jusqu'à ce qu'il y ait une tension sur les bandes de la sangle et assurez-vous que la sangle est correctement fixée aux crochets du fléau. Reportez-vous à la section 6.2.1 Installation de la sangle sur le lève-personne, page 120. Si l'une des attaches n'est pas correctement installée, redescendez le patient sur le fauteuil roulant et corrigez le problème.

7.



Soulevez le patient à une hauteur suffisante pour le libérer de la surface du fauteuil roulant en faisant en sorte qu'il soit entièrement soutenu par le lève-personne.

8. Éloignez le lève-personne du fauteuil roulant à l'aide des barres de poussée.
9. Procédez au transfert sur une autre surface de repos ou un emplacement fixe.

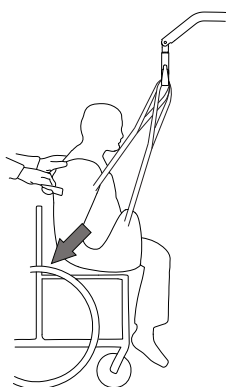
## 6.6 Transfert d'un patient sur un fauteuil roulant



### AVERTISSEMENT ! Risque de blessure

- Avant tout transfert, assurez-vous que la capacité du fauteuil roulant est suffisante pour supporter le poids du patient.
- Le blocage des roues du fauteuil roulant DOIT être enclenché avant d'abaisser le patient dans le fauteuil roulant pour le transport.

1. Effectuez les étapes suivantes en plus de celles indiquées pour soulever le patient se trouvant sur une autre surface de repos ou un emplacement fixe.
2. Enclenchez les freins de stationnement du fauteuil roulant afin d'empêcher son déplacement.
3. Positionnez le patient au-dessus du siège, son dos parfaitement adossé au dossier du fauteuil.
- 4.

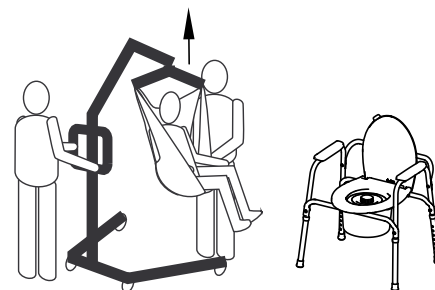


Commencez à faire descendre le patient et utilisez la poignée de maintien (sur certains modèles) ou les parties latérales de la sangle pour guider les hanches du patient le plus loin possible dans le fauteuil et assurer un bon positionnement. Cette opération assure un bon équilibre et évite que le fauteuil ne bascule vers l'avant.

## 6.7 Transfert d'un patient vers et depuis une chaise toilettes

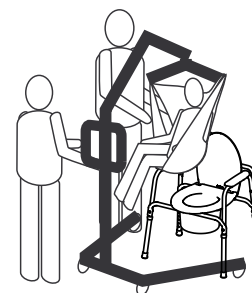
- i Le lève-personne Invacare n'est PAS un dispositif de transport. Si la salle de bains est loin du lit ou si le lève-personne ne peut être facilement manœuvré près de la chaise toilettes, le patient DOIT être transféré vers un fauteuil roulant et transporté jusqu'à la salle de bains avant d'être positionné sur une chaise toilettes classique.
- i Les sangles munies de découpes intimes sont conçues pour être utilisées avec des chaises toilettes ou des sièges toilettes classiques.
- i Avant de transférer le patient, le lève-personne doit être conduit vers la salle de bains pour s'assurer qu'il peut être manœuvré facilement vers la chaise toilettes.

1. Effectuez les étapes suivantes en plus de celles indiquées pour soulever le patient se trouvant sur une autre surface de repos ou un emplacement fixe.
- 2.



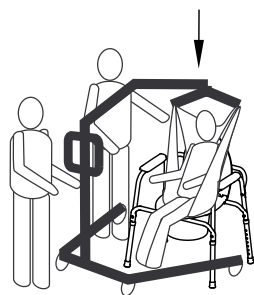
Soulevez le patient à une hauteur suffisante pour le libérer des accoudoirs de la chaise toilettes en veillant à ce qu'il soit entièrement soutenu par le lève-personne. Voir 5 Utilisation, page 114

- 3.



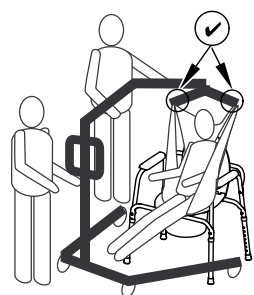
Positionnez le lève-personne en faisant en sorte que ses pieds soient à l'extérieur de ceux de la chaise toilettes et que ses barres de poussée soient à l'opposé de la chaise toilettes ; guidez le patient au-dessus de la chaise toilettes.

4.



Abaissez le patient vers la chaise toilettes en laissant la sangle accrochée aux crochets du fléau. Invacare recommande que la sangle reste fixée aux crochets du fléau pendant que le patient utilise la chaise toilettes ou le siège toilettes classique.

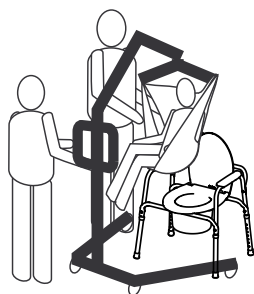
5.



Lorsque le patient est prêt, assurez-vous à nouveau que la sangle est correctement fixée.

6. Soulevez le patient de la chaise toilettes.

7.



Lorsque le patient a quitté la chaise toilettes, utilisez les barres de poussée pour éloigner le lève-personne de la chaise toilettes.

8. Procédez au transfert sur une autre surface de repos ou emplacement fixe.

## 6.8 Soulèvement d'un patient à partir du sol



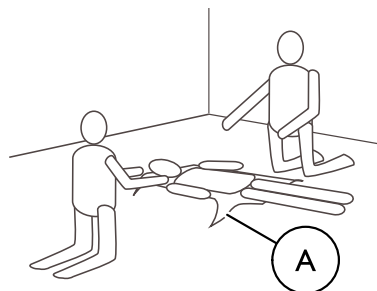
### AVERTISSEMENT ! Risque de blessure

Le lève-personne risque de blesser un patient qui se trouve sur le sol ou une tierce-personne qui travaille au sol.

– Prenez garde lorsque vous déplacez des pièces du lève-personne à proximité d'une personne se trouvant au sol.

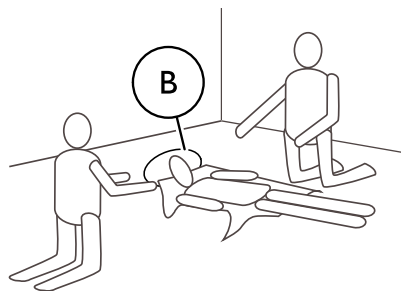
1. Déterminez si le patient souffre de blessures relatives à une chute. Si aucun soin médical n'est requis, procédez au transfert.

2.



Positionnez la sangle **A** au-dessous du patient. Consultez le manuel d'utilisation de la sangle pour plus d'informations sur le positionnement des sangles.

3.

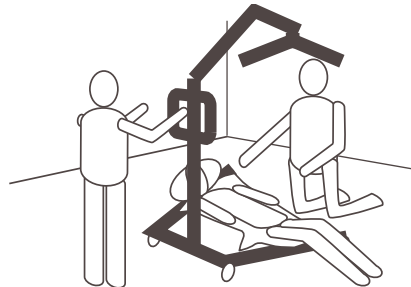


Pliez les genoux du patient et soulevez-lui la tête du sol en la plaçant sur un oreiller **B**.

4. Déverrouillez les roulettes arrière. Voir 5 Utilisation, page 114

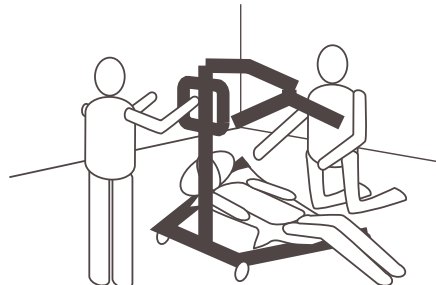
5. Ouvrez les pieds du lève-personne. Voir 5 Utilisation, page 114

6.



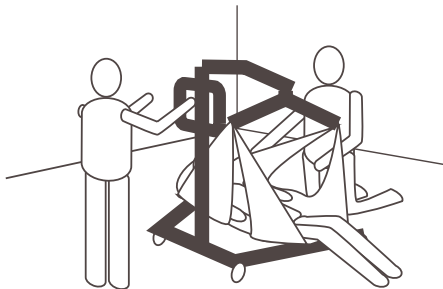
Positionnez le lève-personne en plaçant un pied sous les genoux pliés du patient et l'autre pied sous la tête du patient. Laissez les boucles de la sangle à l'intérieur des pieds du lève-personne.

7.



Abaissez la flèche de manière à ce que le fléau se trouve directement au-dessus de la poitrine du patient.

8.



Fixez la sangle. Reportez-vous à la section 6.2.1  
*Installation de la sangle sur le lève-personne, page 120*

9. Levez la flèche pour soulever le patient du sol.
10. Procédez au transfert sur une autre surface de repos ou emplacement fixe.

## 7 Transport et stockage

### 7.1 Généralités

Pendant le transport, ou si le lève-personne ne doit pas être utilisé sur une période prolongée, enfoncez le bouton d'arrêt d'urgence.

Une fois plié ou démonté, le lève-personne peut être transporté ou stocké dans son carton d'emballage.

Une fois plié, le lève-personne peut être tiré sur les roues arrière et s'il dispose d'un système manuel d'écartement des pieds, il peut être positionné verticalement, l'ensemble mât/flèche étant orienté vers le haut.

Le lève-personne doit être stocké à température ambiante. En cas de stockage dans un environnement humide ou froid, le moteur et les autres pièces risquent d'être endommagés par la corrosion. Reportez-vous à la section 11.4 *Conditions ambiantes*, page 133

### 7.2 Démontage du mât fixé à la base

(mât fixe uniquement)

1. Retirez le levier du système d'écartement des pieds en option, le cas échéant.
2. Abaissez la flèche et resserrez complètement les deux pieds.
3. Activez le bouton d'arrêt d'urgence et actionnez les freins des roulettes.
4. Appliquez la procédure suivante en commençant par la fin : 4.5 *Installation du vérin sur la flèche*, page 112
5. Appliquez la procédure suivante en commençant par la fin : 4.4 *Dépliage du fléau*, page 111
6. Appliquez la procédure suivante en commençant par la fin : 4.3.2 *Fixation du mât à la base*, page 111

### 7.3 Rabattage du mât

(mât pliable uniquement)

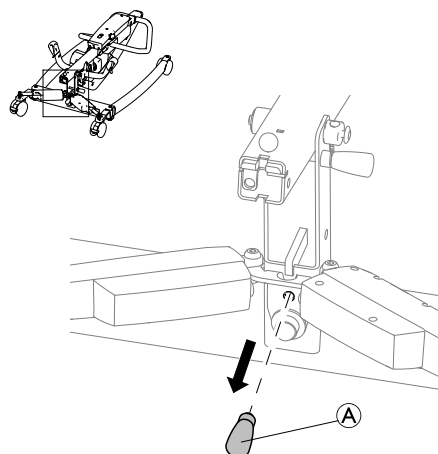
1. Retirez le levier du système d'écartement des pieds en option, le cas échéant.
2. Abaissez la flèche et resserrez complètement les deux pieds.
3. Activez le bouton d'arrêt d'urgence et actionnez les freins des roulettes.
4. Appliquez la procédure suivante en commençant par la fin : 4.5 *Installation du vérin sur la flèche*, page 112
5. Appliquez la procédure suivante en commençant par la fin : 4.4 *Dépliage du fléau*, page 111
6. Appliquez la procédure décrite à la section 4.3.1 *Dépliage du mât*, page 110 en commençant par la fin et tirez le cran d'arrêt ⑤ vers le haut avant de replier le mât.

### 7.4 Extension de mât pour positionnement vertical

(Birdie EVO uniquement)

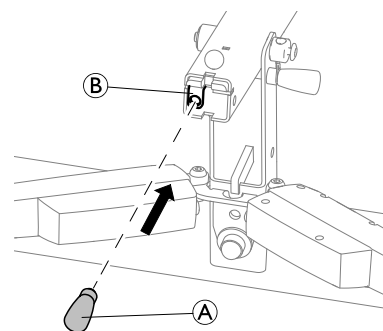
Une extension de mât magnétique est fournie pour permettre un positionnement vertical si le lève-personne est équipé d'un système d'écartement des pieds électrique.

1.



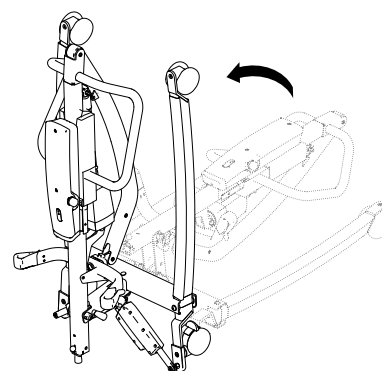
Retirez l'extension de mât ① de son emplacement de rangement à la base du lève-personne.

2.



Insérez l'extension de mât ① dans le support ② sur la face inférieure du mât plié.

3.



Le lève-personne plié peut à présent être placé en position verticale.

## 8 Maintenance

### 8.1 Informations de maintenance générales



#### ATTENTION !

##### Risque de blessure ou de dommage matériel

- Vous ne devez effectuer aucune procédure de maintenance ou d'entretien tant que le produit est en cours d'utilisation.

Suivez les procédures de maintenance décrites dans le présent manuel pour préserver le bon fonctionnement du produit.

D'autres procédures de maintenance et d'inspection, qui doivent être effectuées par un technicien qualifié, sont décrites dans le manuel de maintenance du produit. Les manuels de maintenance peuvent être obtenus auprès d'Invacare.

### 8.2 Vérifications quotidiennes



#### AVERTISSEMENT !

##### Risque de blessure ou de dommage matériel

- Des éléments endommagés ou usés peuvent affecter la sécurité du lève-personne.
- Le lève-personne doit être vérifié à chaque utilisation.
  - Si vous constatez qu'une partie est endommagée ou si vous doutez de la sécurité d'un élément du lève-personne, vous ne devez pas l'utiliser. Contactez votre fournisseur Invacare immédiatement et veillez à ce que le lève-personne ne soit pas utilisé jusqu'à sa réparation.

#### Liste des vérifications quotidiennes

- Procédez à un examen visuel du lève-personne. Assurez-vous que les pièces ne sont pas abîmées ni usées.
- Vérifiez toutes les pièces, les points de fixation et les éléments qui sont soumis à des contraintes, tels que les sangles, les crochets et les points de pivotement afin de contrôler qu'ils ne présentent pas de signes de craquelure, d'effilochement, de déformation ou de détérioration.
- Vérifiez que la télécommande fonctionne (levage et mouvement des pièces).
- Chargez la batterie chaque fois que le lève-personne est utilisé.
- Vérifiez la fonction d'arrêt d'urgence.

- Vérifiez le témoin lumineux de révision (boîtier de contrôle CBJ Care uniquement).



Le témoin lumineux de révision est signalé par le symbole d'une clé plate figurant sur le boîtier de contrôle et, le cas échéant, sur la télécommande.

- Si le témoin lumineux de révision s'allume en jaune et clignote, cela signifie que le lève-personne a besoin d'une révision. N'utilisez pas le lève-personne et contactez votre fournisseur Invacare pour une révision.
- Si le témoin lumineux de révision ne clignote pas, le lève-personne est prêt à l'emploi.

### 8.3 Nettoyage et désinfection

#### 8.3.1 Informations de sécurité générales



#### ATTENTION !

##### Risque de contamination

- Prenez toutes les précautions nécessaires pour vous protéger et portez un équipement de protection adéquat.



#### ATTENTION !

##### Risque de décharge électrique et de détérioration du produit

- Éteignez l'appareil et débranchez-le du secteur, le cas échéant.
- Lors du nettoyage de composants électroniques, tenez compte de leur classe de protection concernant la pénétration d'eau.
- Assurez-vous qu'il n'y ait pas d'éclaboussures d'eau sur la fiche ou la prise murale.
- Ne touchez pas la prise électrique avec les mains mouillées.



#### IMPORTANT !

Des méthodes ou des liquides inappropriés risqueraient de blesser quelqu'un ou d'endommager le produit.

- Tous les désinfectants et agents de nettoyage utilisés doivent être efficaces, compatibles entre eux et protéger les surfaces qu'ils sont censés nettoyer.
- N'utilisez jamais d'agents de nettoyage corrosifs (alcalins, acides, etc.) ou abrasifs. Nous recommandons d'utiliser un agent de nettoyage ménager ordinaire, comme du liquide vaisselle, sauf indication contraire dans les instructions de nettoyage.
- N'utilisez jamais de solvant (diluants cellulose, acétone, etc.) qui modifie la structure du plastique ou dissout les étiquettes apposées.
- Procédez à un séchage complet du produit avant toute nouvelle utilisation.



Pour le nettoyage et la désinfection en environnement clinique ou de soins à long terme, suivez les procédures internes.

### 8.3.2 Fréquence de nettoyage

- !** **IMPORTANT !**  
 Une désinfection et un nettoyage régulier garantissent un bon fonctionnement, augmentent la durée de vie et permettent d'éviter toute contamination.  
 Nettoyez et désinfectez le produit
- régulièrement lors de son utilisation,
  - avant et après toute procédure d'entretien,
  - lorsqu'il a été en contact avec des fluides corporels, quels qu'ils soient,
  - avant de l'utiliser pour un nouvel utilisateur.

### 8.3.3 Consignes de nettoyage

- !** **IMPORTANT !**  
 – Le produit ne doit pas être nettoyé dans des installations de lavage automatique, équipées de systèmes de nettoyage à haute pression ou à la vapeur.

#### Nettoyage du lève-personne

Méthode : essuyez à l'aide un chiffon humide ou d'une brosse souple.

Température maximale : 40 °C


Solvant/produit chimique : agent de nettoyage ordinaire à usage ménager et eau.

Séchage : essuyez avec un chiffon doux.

#### Nettoyage de la sangle

Reportez-vous aux instructions de lavage figurant sur la sangle et dans le manuel qui l'accompagne pour plus de précisions sur le nettoyage.

### 8.3.4 Instructions de désinfection

-  Des informations complémentaires sur les méthodes et les désinfectants recommandés peuvent être consultées à l'adresse <https://vah-online.de/en/for-users>.

#### Dans les soins à domicile

Méthode : suivez les consignes d'application du désinfectant utilisé et essuyez toutes les surfaces accessibles pour les désinfecter.

Désinfectant : désinfectant ordinaire à usage domestique.

Séchage : laissez sécher le produit à l'air.

#### Dans les soins cliniques et à long terme

Suivez vos procédures de désinfection internes et utilisez uniquement les désinfectants et méthodes préconisés.

### 8.4 Intervalle entre les révisions



#### AVERTISSEMENT !

#### Risque de blessure ou de dommage matériel

Les révisions doivent être effectuées uniquement par un technicien qualifié.

- Contactez votre fournisseur Invacare pour effectuer un entretien.

L'entretien doit être effectué au moins tous les 12 mois, sauf obligations locales différentes.



## 9 Après l'utilisation

### 9.1 Mise au rebut



#### AVERTISSEMENT !

#### Risque pour l'environnement

L'appareil contient des batteries. Ce produit peut contenir des substances nuisibles à l'environnement s'il est jeté dans un endroit (décharge) non conforme à la législation en vigueur.

- NE JETEZ PAS les batteries avec les déchets ménagers.
- Les batteries DOIVENT être portées dans un site prévu à cet effet. Le retour est obligatoire et gratuit.
- Seules des batteries déchargées doivent être mises au rebut.
- Couvrez les bornes des batteries au lithium avant leur mise au rebut.
- Pour plus d'informations sur le type de batterie, reportez-vous à l'étiquette de la batterie ou au chapitre 11 *Caractéristiques Techniques*, page 131

Préservez l'environnement en faisant recycler ce produit en fin de vie dans un centre de recyclage.

Désassemblez le produit et ses composants afin que les différents matériaux puissent être séparés et recyclés individuellement.

La mise au rebut et le recyclage des produits usagés et de l'emballage doivent respecter la législation et les règlements relatifs à la gestion des déchets de chaque pays. Contactez votre organisme local de traitement des déchets pour plus d'informations.

### 9.2 Reconditionnement

Ce produit peut être réutilisé. Pour reconditionner le produit en vue de son utilisation par un nouvel utilisateur, il convient d'effectuer les opérations suivantes :

- Nettoyage et désinfection
- Inspection conformément au programme de maintenance

Pour plus d'informations sur l'examen, le nettoyage et la désinfection, consultez le manuel d'utilisation et le manuel de maintenance du produit.

## 10 Dépannage

### 10.1 Identification des pannes et solutions possibles

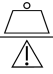
Symptômes	Dysfonctionnements	Solution
Le lève-personne semble instable.	Les joints du mât ou de la base sont desserrés.	Reportez-vous à la section Installation du mât de la section Configuration.
	Les barres d'attache sont desserrées.	Contactez votre revendeur Invacare.
Roulettes/freins bruyants ou difficiles à manœuvrer.	Résidus ou débris dans les engrenages.	Nettoyez les roulettes pour retirer les résidus ou débris.
Pivots bruyants ou grinçants.	Les pivots sont usés ou endommagés	Contactez votre revendeur Invacare.
Le vérin électrique ne permet pas l'élévation ou les pieds ne s'ouvrent pas lorsque le bouton est enfoncé.	Le connecteur de la télécommande ou du vérin est desserré.	Branchez le connecteur de la télécommande ou du vérin. Assurez-vous que les connecteurs sont correctement installés et branchés.
	Batterie déchargée.	Rechargez la batterie. Voir 5.7 <i>Recharge de la batterie</i> , page 116
	Le bouton d'arrêt d'urgence est enfoncé.	Tournez le bouton d'arrêt d'urgence dans le sens des aiguilles d'une montre jusqu'à ce qu'il ressorte.
	La batterie n'est pas correctement raccordée au boîtier de contrôle.	Rebranchez la batterie au boîtier de contrôle. Voir 5.7.4 <i>Chargeur de batterie en option</i> , page 118
	Les connexions de raccordement sont endommagées.	Contactez votre revendeur Invacare.
	Cordon d'alimentation branché sur une prise électrique.	Débranchez le cordon d'alimentation de la prise électrique.
	La flèche ou le vérin de pied est endommagé	Contactez votre revendeur Invacare.
	La charge maximale a été dépassée.	Réduisez la charge.
Le vérin émet un bruit inhabituel.	Le vérin est endommagé	Contactez votre revendeur Invacare.
La flèche ne s'abaisse pas lorsqu'elle est en position haute maximale.	La flèche exige une charge minimale pour s'abaisser à partir de la position haute maximale.	Appuyez légèrement sur la flèche.
Le boîtier de contrôle émet un bip sonore en cours de levage et le moteur s'arrête.	La charge maximale a été dépassée.	Réduisez la charge (le lève-personne devrait fonctionner normalement).



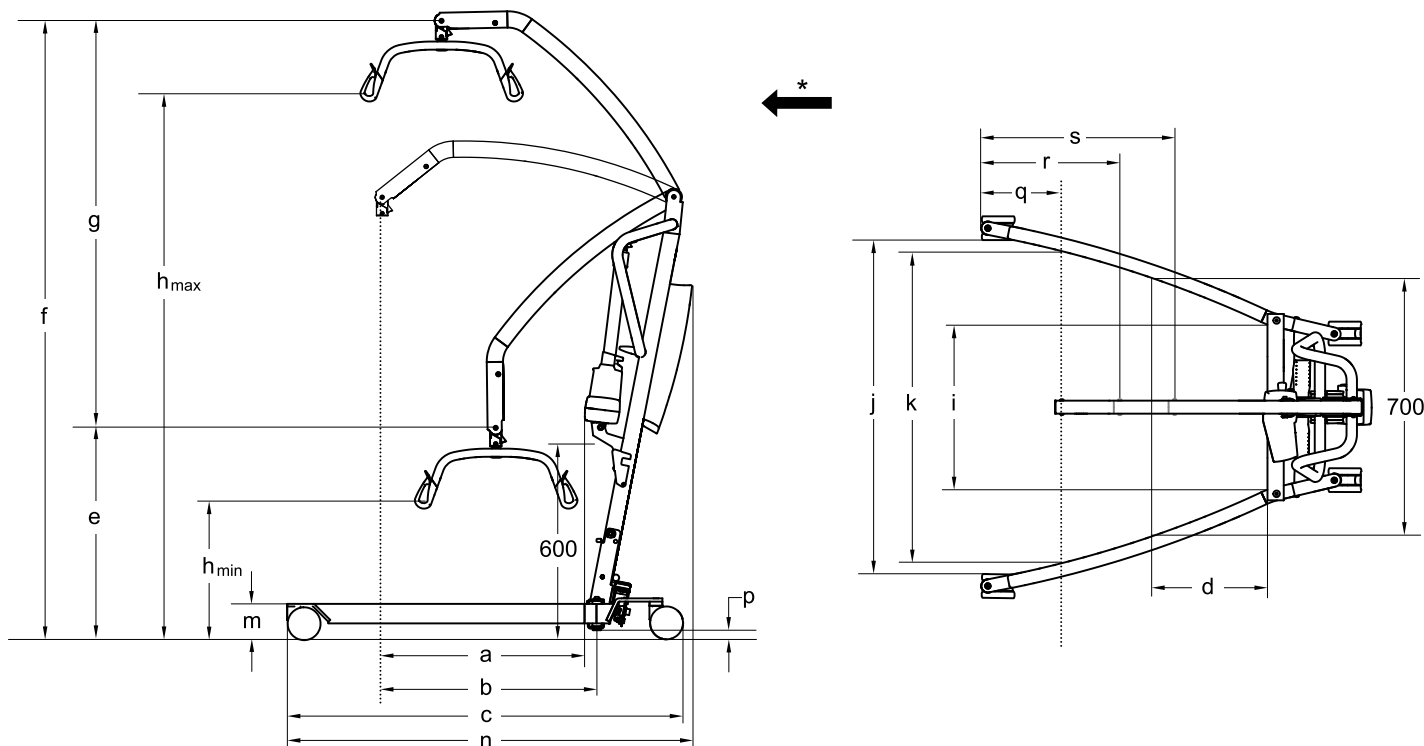
Si les problèmes persistent après application des solutions suggérées, veuillez contacter votre fournisseur Invacare.

## 11 Caractéristiques Techniques

### 11.1 Charge maximale d'utilisation

	Birdie® EVO	Birdie® EVO COMPACT	Birdie® EVO PLUS	Birdie® EVO XPLUS
Charge max. d'utilisation (patient + fléau + sangle)	180 kg	150 kg	180 kg	210 kg

### 11.2 Dimensions et poids




\* Vers l'avant

Dimensions [mm]	Birdie® EVO		Birdie® EVO COMPACT		Birdie® EVO PLUS/XPLUS
Diamètre des roulettes avant/arrière	75 / 75	100 / 100	75 / 75	100 / 100	100 / 125
Portée max. à 600 mm (a)	630	630	530	530	630
Portée max. à partir de la base (b)	630	630	530	530	630
Longueur de la base (c)	1200	1220	1060	1080	1280
Longueur totale (n)	1250	1250	1100	1100	1280
Portée à partir de la base avec pieds écartés à 700 mm (d)	225	225	420	420	225
Hauteur min. du PSC*/position la plus basse (e)	630	645	730	745	645
Hauteur max. du PSC* (f)	1870	1885	1805	1820	1885
Plage de levage (g)	1240	1240	1060	1060	1240
Hauteur min. au point d'ancrage de la sangle (h <sub>min</sub> )	400	415	515	530	415
Hauteur max. au point d'ancrage de la sangle (h <sub>max</sub> )	1645	1660	1575	1590	1660
Largeur totale (pieds ouverts), du centre au centre de la roulette	1100	1100	890	890	1100
Largeur totale (pieds ouverts), mesure interne (j)	1040	1020	835	815	1020
Largeur totale (pieds fermés), mesure externe	640	640	520	520	640

Dimensions [mm]	Birdie® EVO		Birdie® EVO COMPACT		Birdie® EVO PLUS/XPLUS
Largeur interne min. (i)	495	495	380	380	495
Largeur interne à la portée maximale (k)	960	960	765	765	960
Diamètre de braquage	1400	1400	1070	1070	1430
Hauteur jusqu'à la partie supérieure des pieds (m)	100	115	100	115	115
Hauteur libre min. (p)	20	35	20	35	35
Distance minimale du mur au PSC* à la portée maximale (pieds ouverts) (q)	245	245	210	210	245
Distance minimale du mur au PSC* à la hauteur maximale (pieds ouverts) (r)	410	410	450	450	410
Distance minimale du mur au PSC* à la hauteur minimale (pieds ouverts) (s)	615	615	395	395	615
Hauteur une fois replié (version pliable uniquement)	455	470	455	470	470
Longueur une fois replié (version pliable uniquement)	1300	1320	1190	1210	1360

\* PSC = Point de Suspension Central

 Toutes les mesures sont prises avec un fléau à 2 points de 450 mm.

Poids des pièces principales [kg]			
	Birdie® EVO	Birdie® EVO COMPACT	Birdie® EVO PLUS/XPLUS
Poids total sans le fléau	40	31	41
Poids du mât, batterie incluse, fléau exclu	19	14	19
Poids de la section jambes manuelle	21	17	s. o.
Poids de la section jambes électrique	21	s. o.	22

Poids des fléaux [kg]	
Fléau à 2 points, 350 mm	1,3
Fléau à 2 points, 450 mm	1,4
Fléau à 2 points, 550 mm	1,6
Fléau à 4 points, 450 mm	2,8
Fléau à 4 points, 500 mm	2,9
Fléau à 4 points, 550 mm	3,0

### 11.3 Système électrique


	Birdie® EVO	Birdie® EVO COMPACT	Birdie® EVO PLUS/XPLUS
Tension de sortie	24 V CC, 250 VA max.		
Tension d'alimentation	100 - 240 V CA, 50/60 Hz		
Courant d'entrée maximum	400 mA (pour CBJ1, CBJ2 et CBJ Care)/ 280 mA (pour CBJ Home)	400 mA (pour CBJ2)/ 280 mA (pour CBJ Home)	400 mA (CBJ1 et CBJ Care)
Classe de protection (appareil complet)	IPX4*		
Classe d'isolation	Équipement de classe II		
Pièce appliquée de type B	Pièce appliquée conforme aux exigences spécifiées pour la protection contre les décharges électriques selon la norme IEC60601-1.		
Niveau sonore	de 45 à 50 dB (A).		

	Birdie® EVO	Birdie® EVO COMPACT	Birdie® EVO PLUS/XPLUS
Capacité de travail	40 élévations complètes (avec une batterie chargée à 100 % - 50 %)		
Intermittent (fonctionnement périodique des moteurs)	10 %, 2 min/18 min max.		
Caractéristiques de la batterie	2 x 12 V/2,9 Ah		
Type de batterie	Plomb-acide (sans maintenance, scellée)		
Abaissement manuel d'urgence	Oui (au bas du vérin)	En option (en haut du vérin)	Oui (au bas du vérin)
Abaissement/élévation électrique d'urgence	Oui/Oui (pour CBJ1 et CBJ Care) Oui/Non (pour CBJ2 et CBJ Home)	Oui/Non (pour CBJ2 et CBJ Home)	Oui/Oui (CBJ1 et CBJ Care)

\*IPx4 - Le système est protégé contre les éclaboussures d'eau, quelle que soit la direction.

## 11.4 Conditions ambiantes

	Stockage et transport	Utilisation
Température	de -10 °C à +50 °C	de +5 °C à +40 °C
Humidité relative	de 20 % à 90 % à 30 °C, sans condensation	
Pression atmosphérique	de 800 hPa à 1 060 hPa	

 Laissez le produit revenir à la température ambiante avant de l'utiliser :

- Le réchauffement à partir de la température de stockage minimale peut demander plus de 30 minutes.
- Le refroidissement à partir de la température de stockage maximale peut demander plus de 5 minutes.

## 11.5 Matériaux

Composant	Matériau
Base, pieds, mât et flèche	Acier, revêtement poudre
Fléau	Acier, revêtement poudre et TPU

Composant	Matériau
Boîtier du vérin, télécommande, protection du mât, roulettes et autres pièces en plastique	Matériau correspondant au marquage (PA, PP, PE)
Connecteur de la flèche, boulons et écrous	Acier, plaqué zinc

Tous les composants du produit sont résistants à la corrosion ou protégés contre la corrosion.

## 11.6 Forces de fonctionnement des commandes

Commande	Force de fonctionnement
Boutons du boîtier de contrôle	4 N
Boutons de la télécommande	4 N
Pédale avec roulettes de 100 mm*	290 N
Levier du système d'écartement des pieds avec roulettes de 100 mm	45 N
Levier du système d'écartement des pieds avec roulettes de 75 mm	50 N

\* Avec des roulettes de 75 mm, un levier de système d'écartement des pieds est obligatoire.

## 12 Compatibilité électromagnétique (CEM)

### 12.1 Informations relatives aux interférences électromagnétiques

L'équipement médical électrique doit être installé et utilisé conformément aux informations relatives aux interférences magnétiques présentes dans ce manuel.

Ce produit a été testé et est certifié conforme aux limites CEM spécifiées dans la norme CEI/EN 60601-1-2 pour les équipements de classe B.

Les appareils de communication RF portables et mobiles peuvent interférer avec le fonctionnement de ce produit.

D'autres appareils peuvent recevoir des interférences même des plus bas niveaux des émissions électromagnétiques autorisées par la norme ci-dessus. Pour déterminer si l'émission de ce produit est à l'origine d'une interférence, mettez ce produit sous puis hors tension. Si l'interférence avec le fonctionnement des autres appareils disparaît, cela signifie que ce produit provoque l'interférence. Dans ces cas rares, l'interférence peut être réduite ou corrigée de l'une des façons suivantes :

- Repositionnez le dispositif, changez-le de place ou augmentez la distance de séparation entre les appareils.

### 12.2 Émissions électromagnétiques

#### Directives et déclaration du fabricant

Ce produit est destiné à être utilisé dans l'environnement électromagnétique décrit ci-dessous. L'utilisateur ou l'acheteur de ce produit doivent s'assurer que le lit est bien utilisé dans un tel environnement.


Test relatif aux émissions	Conformité	Directives relatives à l'environnement électromagnétique
Émissions RF CISPR 11	Groupe I	Ce produit utilise l'énergie RF uniquement pour son fonctionnement interne. Il émet donc des ondes RF très faibles et il est peu probable qu'elles interfèrent avec l'équipement électronique à proximité.
Émissions RF CISPR 11	Classe B	Ce produit peut être utilisé dans tous les établissements, y compris les habitations et les établissements directement connectés au réseau d'alimentation public basse tension qui alimente les bâtiments destinés à accueillir des habitations.
Émissions de courant harmonique CEI 61000-3-2	Classe A	
Fluctuations de tension/émissions de scintillement CEI 61000-3-3	Conforme	


### 12.3 Immunité électromagnétique

#### Directives et déclaration du fabricant

Ce produit est destiné à être utilisé dans l'environnement électromagnétique décrit ci-dessous. L'utilisateur ou l'acheteur de ce produit doivent s'assurer que le lit est bien utilisé dans un tel environnement.

Test d'immunité	Test/Niveau de conformité	Directives relatives à l'environnement électromagnétique
Décharges électrostatiques CEI 61000-4-2	± 8 kV par contact ± 2 kV, ± 4 kV, ± 8 kV, ± 15 kV dans l'air	Le revêtement de sol doit être du bois, du béton ou des carreaux de céramique. Si le sol est recouvert d'un matériau synthétique, l'humidité relative doit être d'au moins 30 %.
Transitoires électriques rapides en salves CEI 61000-4-4	± 2 kV pour les lignes d'alimentation électriques ; 100 kHz en fréquence de répétition ± 1 kV pour les lignes d'entrée et de sortie ; 100 kHz en fréquence de répétition	La qualité du réseau électrique doit être la même que celle du réseau électrique d'un hôpital ou d'un établissement commercial.

Test d'immunité	Test/Niveau de conformité	Directives relatives à l'environnement électromagnétique
Ondes de choc CEI 61000-4-5	± 1 kV de ligne à ligne ± 2 kV de la ligne à la terre	La qualité du réseau électrique doit être la même que celle du réseau électrique d'un hôpital ou d'un établissement commercial.
Creux de tension, coupures brèves et variations de tension sur les lignes d'alimentation électrique CEI 61000-4-11	< 0 % $U_T$ pour 0,5 cycle par incréments de 45° 0 % $U_T$ pour 1 cycle 70 % $U_T$ pour 25/30 cycles < 5 % $U_T$ pour 250/300 cycles	La qualité du réseau électrique doit être la même que celle du réseau électrique d'un hôpital ou d'un établissement commercial. S'il est nécessaire que ce produit continue à fonctionner pendant une coupure de courant, il est recommandé de le brancher sur un système d'alimentation sans coupure ou sur une batterie.  $U_T$ représente la tension d'alimentation secteur avant l'application du niveau de test.
Champ magnétique à la fréquence du réseau (50/60 Hz) CEI 61000-4-8	30 A/m	Les champs magnétiques de fréquence industrielle doivent avoir les mêmes caractéristiques que ceux présents dans un hôpital ou un établissement commercial.
Perturbations conduites, induites par les champs radioélectriques CEI 61000-4-6	3 V 150 kHz à 80 Mhz	Il n'est pas possible de prévoir avec précision l'intensité de champ des émetteurs fixes des stations de base des téléphones sans fil/cellulaires ou radios mobiles terrestres, des radios amateurs, et des télédiffusions ou radiodiffusions AM et FM. Afin d'évaluer l'environnement électromagnétique résultant des appareils émetteurs RF fixes, il est nécessaire d'effectuer une étude sur site. Si l'intensité de champ mesurée à l'endroit où le produit est utilisé est supérieure au niveau de conformité applicable aux émissions RF ci-dessus, il sera nécessaire d'observer si ce produit fonctionne normalement. En cas de fonctionnement anormal, il conviendra de prendre d'autres mesures, par exemple déplacer ou réorienter ce produit.  Des interférences peuvent se produire à proximité des appareils comportant le symbole suivant : 
Champs électromagnétiques rayonnés aux fréquences radioélectriques CEI 61000-4-3	6 V en bandes ISM et radioamateur  10 V/m 80 Mhz à 2,7 GHz	
	385 MHz - 5 785 MHz spécifications des tests d'immunité aux équipements de communication RF sans fil, reportez-vous au tableau 9 de la norme CEI 60601-1-2:2014	

 Ces consignes peuvent ne pas s'appliquer dans certaines situations. La propagation électromagnétique varie selon les propriétés d'absorption et de réflexion des structures, des objets et des personnes.





## Sommario

Il presente manuale deve essere fornito all'utilizzatore del prodotto. PRIMA di utilizzare il prodotto, È NECESSARIO leggere il presente manuale e conservarlo per poterlo consultare in futuro.

<b>1 Generale</b> .....	<b>138</b>
1.1 Introduzione .....	138
1.1.1 Simboli in questo manuale .....	138
1.2 Durata .....	138
1.2.1 Informazioni aggiuntive .....	138
1.3 Limiti di responsabilità .....	138
1.4 Informazioni sulla garanzia .....	138
1.5 Conformità .....	138
1.5.1 Norme specifiche di prodotto .....	138
<b>2 Sicurezza</b> .....	<b>139</b>
2.1 Informazioni generali sulla sicurezza .....	139
2.1.1 Punti di pizzicamento .....	140
2.2 Informazioni di sicurezza sugli accessori .....	140
2.3 Informazioni sulla sicurezza relative alle interferenze elettromagnetiche .....	140
2.4 Etichette e simboli sul prodotto .....	141
2.4.1 Posizione delle etichette .....	141
2.4.2 Etichetta modello .....	141
2.4.3 Altri simboli .....	141
<b>3 Panoramica del prodotto</b> .....	<b>143</b>
3.1 Uso previsto .....	143
3.2 Componenti principali del sollevatore .....	143
3.3 Accessori .....	143
<b>4 Messa in servizio</b> .....	<b>144</b>
4.1 Informazioni generali sulla sicurezza .....	144
4.2 Contenuto della fornitura .....	144
4.3 Montaggio dell'albero .....	144
4.3.1 Apertura dell'albero .....	144
4.3.2 Montaggio dell'albero sulla base .....	145
4.4 Apertura del bilancino .....	145
4.5 Montaggio dell'attuatore sul braccio .....	146
4.6 Montaggio della leva per il meccanismo di apertura della base manuale .....	146
4.7 Ripristino dell'indicatore di manutenzione .....	147
<b>5 Uso</b> .....	<b>148</b>
5.1 Informazioni generali sulla sicurezza .....	148
5.2 Bloccaggio/sbloccaggio delle ruote posteriori orientabili .....	148
5.3 Sollevamento/abbassamento di un sollevatore elettrico .....	148
5.4 Chiusura/apertura delle gambe .....	148
5.4.1 Chiusura/apertura elettrica delle gambe .....	148
5.4.2 Chiusura/apertura manuale delle gambe .....	148
5.5 Sostituzione del bilancino .....	148
5.6 Funzioni di emergenza .....	149
5.6.1 Esecuzione di un arresto di emergenza .....	149
5.6.2 Attivazione di abbassamento di emergenza (centralina CBJ Home) .....	149
5.6.3 Attivazione di abbassamento di emergenza (centralina CBJ Care, CBJ1, CBJ2) .....	149
5.6.4 Attivazione di sollevamento di emergenza (centralina CBJ Care, CBJ1) .....	149
5.6.5 Attivazione di un abbassamento di emergenza meccanico .....	150
5.7 Ricarica della batteria .....	150
5.7.1 Centralina CBJ Home .....	150
5.7.2 Centralina CBJ Care, CBJ1, CBJ2 .....	151
5.7.3 Telecomando opzionale .....	152
5.7.4 Caricabatteria opzionale .....	152
<b>6 Trasferimento del paziente</b> .....	<b>153</b>
6.1 Informazioni generali sulla sicurezza .....	153
6.2 Preparazione per il sollevamento .....	153
6.2.1 Attacco dell'imbracatura al sollevatore .....	154
6.3 Trasferimento del paziente da un letto .....	155
6.4 Trasferimento del paziente su un letto .....	156
6.5 Trasferimento di un paziente da e verso una carrozzina .....	156
6.6 Trasferimento del paziente su una carrozzina .....	157
6.7 Trasferimento di un paziente da e verso una sedia WC .....	157
6.8 Sollevamento del paziente dal pavimento .....	158
<b>7 Trasporto e immagazzinamento</b> .....	<b>159</b>
7.1 Informazioni generali .....	159
7.2 Smontaggio dell'albero dalla base .....	159
7.3 Ripiegamento dell'albero .....	159
7.4 Prolunga dell'albero per il posizionamento in verticale .....	159
<b>8 Manutenzione</b> .....	<b>160</b>
8.1 Informazioni generali per la manutenzione .....	160
8.2 Controlli quotidiani .....	160
8.3 Pulizia e disinfezione .....	160
8.3.1 Informazioni generali sulla sicurezza .....	160
8.3.2 Intervalli di pulizia .....	160
8.3.3 Istruzioni per la pulizia .....	161
8.3.4 Istruzioni per la disinfezione .....	161
8.4 Intervallo di manutenzione .....	161
<b>9 Dopo l'utilizzo</b> .....	<b>162</b>
9.1 Smaltimento .....	162
9.2 Ricondizionamento .....	162
<b>10 Guida alla soluzione dei problemi</b> .....	<b>163</b>
10.1 Identificazione dei guasti e possibili soluzioni .....	163
<b>11 Dati Tecnici</b> .....	<b>164</b>
11.1 Carico massimo per un utilizzo in sicurezza .....	164
11.2 Dimensioni e pesi .....	164
11.3 Impianto elettrico .....	165
11.4 Condizioni ambientali .....	166
11.5 Materiali .....	166
11.6 Forze di esercizio dei controlli .....	166
<b>12 Compatibilità elettromagnetica (EMC)</b> .....	<b>167</b>
12.1 Informazioni generali sulla compatibilità elettromagnetica (EMC) .....	167
12.2 Emissioni elettromagnetiche .....	167
12.3 Immunità elettromagnetica .....	167

# 1 Generale

## 1.1 Introduzione

Il presente manuale d'uso contiene informazioni importanti sul trattamento del prodotto. Per garantire la sicurezza di utilizzo del prodotto, leggere attentamente il manuale d'uso e seguire le istruzioni per la sicurezza.

Si noti che alcune sezioni contenute nel presente documento potrebbero non riguardare il proprio prodotto, in quanto il presente documento si applica a tutti i modelli disponibili (alla data di stampa). Se non specificato diversamente, ogni sezione del presente documento si riferisce a tutti i modelli del prodotto.

I modelli e le configurazioni disponibili nel proprio paese sono riportati nei documenti di vendita specifici per paese.

Invacare si riserva il diritto di modificare le specifiche del prodotto senza ulteriore preavviso.

Prima di leggere il presente documento, verificare di essere in possesso dell'ultima versione, disponibile in formato PDF sul sito web Invacare.

Se si ritiene che la dimensione dei caratteri nella versione cartacea del documento sia di difficile lettura, è possibile scaricare dal sito web la versione in formato PDF. Il PDF può essere ingrandito sullo schermo in modo da ottenere una dimensione dei caratteri più facile da leggere.

Per ulteriori informazioni sul prodotto, ad esempio le note sulla sicurezza del prodotto e i richiami di prodotti, si prega di contattare il proprio rappresentante Invacare. Vedere gli indirizzi alla fine del presente documento.

In caso di incidente grave relativo al prodotto, è necessario informare il produttore e l'autorità competente nel proprio paese.

### 1.1.1 Simboli in questo manuale

In questo manuale tutte quelle situazioni non sicure o pericolose che possono portare a lesioni alle persone o danni ai materiali sono evidenziate mediante simboli e avvertimenti. Qui di seguito sono riportate le spiegazioni di tutti i possibili avvertimenti.



#### ATTENZIONE

Indica una situazione pericolosa che, se non evitata, potrebbe essere causa di morte o lesioni gravi.



#### AVVERTENZA

Indica una situazione pericolosa che, se non evitata, potrebbe essere causa di lesioni minori o leggere.



#### IMPORTANTE

Indica una situazione pericolosa che, se non evitata, potrebbe essere causa di danni al prodotto.



#### Consigli e raccomandazioni

Indica consigli, raccomandazioni e informazioni utili per un uso efficace e senza inconvenienti.

## 1.2 Durata

La durata prevista per questo prodotto è di otto anni, a condizione che sia utilizzato quotidianamente e in conformità alle istruzioni per la sicurezza, secondo gli intervalli di manutenzione e l'uso corretto del prodotto come indicato nel presente manuale. La durata effettiva può variare a seconda della frequenza e dell'intensità d'uso.

### 1.2.1 Informazioni aggiuntive

La durata prevista è basata su una media stimata di 4 cicli di sollevamento giornalieri.

## 1.3 Limiti di responsabilità

Invacare non si assume alcuna responsabilità per danni derivanti da:

- Non conformità con il manuale d'uso
- Utilizzo non corretto
- Consumo e usura naturali
- Montaggio o preparazione non corretti da parte dell'acquirente o di terzi
- Modifiche tecniche
- Modifiche non autorizzate e/o utilizzo di pezzi di ricambio non adatti

## 1.4 Informazioni sulla garanzia

Offriamo una garanzia del produttore per il prodotto in conformità di quanto indicato sui Termini e le condizioni generali di vendita applicabili nei rispettivi paesi.

La garanzia può essere fatta valere solo attraverso il fornitore presso il quale è stato acquistato il prodotto.

## 1.5 Conformità

La qualità è fondamentale per l'azienda, che opera nel rispetto e nell'ambito della norma ISO 13485.

Il prodotto è dotato di marchio CE, in conformità al Regolamento Dispositivi Medici 2017/745 Classe 1. La data di lancio di questo prodotto è indicata nella dichiarazione di conformità CE.

Lavoriamo costantemente per garantire che l'impatto ambientale dell'azienda a livello locale e globale sia ridotto al minimo.

Garantiamo di utilizzare esclusivamente materiali e componenti conformi alla direttiva REACH.

Rispettiamo le normative ambientali RAEE e RoHS in vigore.

### 1.5.1 Norme specifiche di prodotto

Il prodotto è stato testato ed è conforme alla norma ISO 10535 (Sollevatori per il trasferimento di persone disabili) e alle norme correlate.

Per ulteriori informazioni sulle norme e le disposizioni locali, contattare il rappresentante locale Invacare. Vedere gli indirizzi alla fine del presente documento.

## 2 Sicurezza

### 2.1 Informazioni generali sulla sicurezza

La presente sezione del manuale contiene informazioni generali sulla sicurezza del prodotto. Per informazioni specifiche sulla sicurezza, consultare l'apposita sezione del manuale e le procedure contenute all'interno di tale sezione.



#### ATTENZIONE!

##### Pericolo di lesioni o danni

- Non utilizzare questo prodotto o nessun altro dispositivo opzionale disponibile senza prima aver letto attentamente e compreso fino in fondo le presenti istruzioni e ogni altro materiale informativo come i manuali d'uso o i fogli di istruzione forniti con questo prodotto o con i dispositivi opzionali. Qualora alcune avvertenze, precauzioni o istruzioni fossero di difficile comprensione, contattare un professionista sanitario, il fornitore Invacare o un tecnico qualificato prima di iniziare a utilizzare questo prodotto.
- Non apportare alterazioni o modifiche non autorizzate al prodotto.



#### ATTENZIONE!

##### Non superare il carico massimo per un utilizzo in sicurezza.

- Non superare il carico massimo per un utilizzo in sicurezza del presente prodotto o degli accessori utilizzati, come imbracature, bilancini ecc. Fare riferimento alla documentazione o alle etichette per il carico massimo indicato per un utilizzo in sicurezza.
- Il componente la cui etichetta riporta il limite di carico più basso determina il carico massimo per un utilizzo in sicurezza dell'intero sistema.



#### ATTENZIONE!

##### Pericolo di lesioni o danni

- Un uso improprio del prodotto può causare lesioni o danni.
- Non tentare alcun tipo di trasferimento senza l'approvazione del professionista sanitario del paziente.
  - Leggere le istruzioni contenute nel presente manuale d'uso e osservare personale appositamente addestrato mentre esegue le procedure di trasferimento, quindi eseguire più volte tali procedure sotto un'adeguata supervisione e con una persona abile che funga da paziente.
  - È necessario prestare particolare attenzione nel caso di persone affette da disabilità che non consentono loro di collaborare durante il trasferimento.
  - Non utilizzare il sollevatore come dispositivo di trasporto. Esso è destinato a trasferire un paziente da una superficie di riposo a un'altra.



#### ATTENZIONE!

##### Pericolo di lesioni o danni

- Un utilizzo improprio dei cavi può causare scosse elettriche e il guasto del prodotto.
- Non piegare, tagliare o altrimenti danneggiare i cavi del prodotto.
  - Quando si usa il prodotto controllare che nessun cavo venga schiacciato o danneggiato.
  - Assicurarsi che il cablaggio sia corretto e che i collegamenti siano appropriati.
  - Non utilizzare attrezzatura non autorizzata.



#### ATTENZIONE!

##### Pericolo di lesioni o danni

- L'eccessiva umidità danneggia il prodotto e può provocare scosse elettriche.
- Il sollevatore può essere utilizzato in prossimità di una vasca da bagno o una doccia, ma **NON** deve essere utilizzato sotto la doccia. È necessario che il paziente venga trasferito su una sedia da doccia o che venga utilizzato un altro mezzo per fare la doccia.
  - Se il sollevatore viene utilizzato in un ambiente umido, assicurarsi che il sollevatore sia asciutto e pulito da qualsiasi traccia di umidità dopo l'uso.
  - Non collegare o scollegare il cavo di alimentazione in un ambiente umido o con le mani bagnate.
  - Non riporre il prodotto in un locale umido o in condizioni di umidità.
  - Ispezionare periodicamente tutti i componenti del prodotto per rilevare la presenza di eventuali segni di corrosione o di danni. Sostituire i componenti corrosi o danneggiati.
  - Consultare la sezione *11.4 Condizioni ambientali*, pagina 166



#### ATTENZIONE!

##### Pericolo di lesioni o danni

- Fonti di ignizione possono provocare ustioni o incendi.
- Il trasferimento del paziente dovrà essere eseguito con uno spazio di sicurezza tra il sollevatore e le possibili fonti di ignizione (stufe, piani di cottura, camini, ecc.)
  - Il paziente e gli assistenti non devono fumare durante il trasferimento.
  - L'imbracatura non deve essere posizionata su fonti di calore (stufe, piani di cottura, camini, ecc.)



#### ATTENZIONE!

##### Pericolo di lesioni o danni

- Per evitare lesioni o danni durante l'uso del prodotto:
- Prestare la massima attenzione quando si usa il prodotto in presenza di bambini o animali domestici.
  - Non permettere ai bambini di giocare con il prodotto.

**AVVERTENZA!****Pericolo di lesioni o danni**

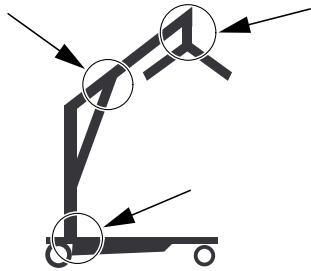
Il prodotto può riscaldarsi se esposto alla luce del sole o ad altre fonti di calore.

- Non esporre il prodotto alla luce diretta del sole per periodi prolungati.
- Tenere il prodotto al riparo da fonti di calore.

**IMPORTANTE!**

L'accumulo di pelucchi, polvere o altro tipo di sporcizia può danneggiare il prodotto.

- Tenere pulito il prodotto.

**2.1.1 Punti di pizzicamento****ATTENZIONE!****Pericolo di lesioni**

I punti di pizzicamento sono presenti in diversi punti del sollevatore e le dita potrebbero venire schiacciate.

- Tenere sempre le mani e le dita lontano dalle parti in movimento.

**2.2 Informazioni di sicurezza sugli accessori****AVVERTENZA!****Pericolo di lesioni**

Accessori non originali o non corretti possono alterare il funzionamento e la sicurezza di questo prodotto.

- In considerazione delle differenze regionali, fare riferimento al sito web o al catalogo locale di Invacare per gli accessori disponibili o contattare il proprio fornitore Invacare.
- Consultare il manuale fornito con gli accessori per ulteriori informazioni e istruzioni.
- Utilizzare esclusivamente accessori originali del prodotto in uso. In alcuni casi è possibile utilizzare imbracature di altri produttori. Fare riferimento alle informazioni aggiuntive della presente sezione.
- Far svolgere da un professionista una valutazione dei rischi prima di dare in dotazione le attrezzature di sollevamento. È importante che la valutazione dei rischi tenga conto dell'attività, dell'individuo, del carico, dell'ambiente e dell'attrezzatura.
- Quando si prende in considerazione il tipo di trasferimento da effettuare, occorre sempre scegliere un'imbracatura la cui concezione e le cui dimensioni siano adeguate al peso, alla corporatura e alla capacità fisica del paziente.

**AVVERTENZA!****Compatibilità delle imbracature con il sistema di attacco**

Invacare utilizza un sistema di attacco comune basato su ganci e anelli. Gli anelli delle imbracature vengono fissati ai ganci dei bilancini (stile a gru). Pertanto, con questo sollevatore possono essere utilizzate anche imbracature idonee di altri produttori.

- Utilizzare solo imbracature con attacchi ad anello adatte a bilancini dotati di ganci (stile a gru).
- Non utilizzare imbracature progettate per "sistemi di attacco a clip" o "sistemi a telaio basculante".

**2.3 Informazioni sulla sicurezza relative alle interferenze elettromagnetiche****ATTENZIONE!****Rischio di malfunzionamento dovuto a interferenze elettromagnetiche**

Possono verificarsi interferenze elettromagnetiche tra questo prodotto e altre apparecchiature elettriche, che possono disturbare le funzioni di regolazione elettrica di questo prodotto. Per prevenire, ridurre o eliminare tali interferenze elettromagnetiche:

- Utilizzare esclusivamente cavi, accessori e pezzi di ricambio originali, non aumentare le emissioni elettromagnetiche né ridurre l'immunità elettromagnetica di questo prodotto.
- Non utilizzare apparecchiature di comunicazione in radiofrequenza (RF) portatili a una distanza inferiore a 30 cm da qualsiasi parte di questo prodotto (compresi i cavi).
- Non utilizzare questo prodotto nelle vicinanze di apparecchiature chirurgiche ad alta frequenza in funzione e della stanza schermata da RF di un sistema per la risonanza magnetica in cui l'intensità dei disturbi elettromagnetici sia elevata.
- In presenza di disturbi, aumentare la distanza tra questo prodotto e le altre apparecchiature oppure disinserire queste ultime.
- Fare riferimento alle informazioni dettagliate e seguire le linee guida riportate nel capitolo 12 *Compatibilità elettromagnetica (EMC)*, pagina 167.

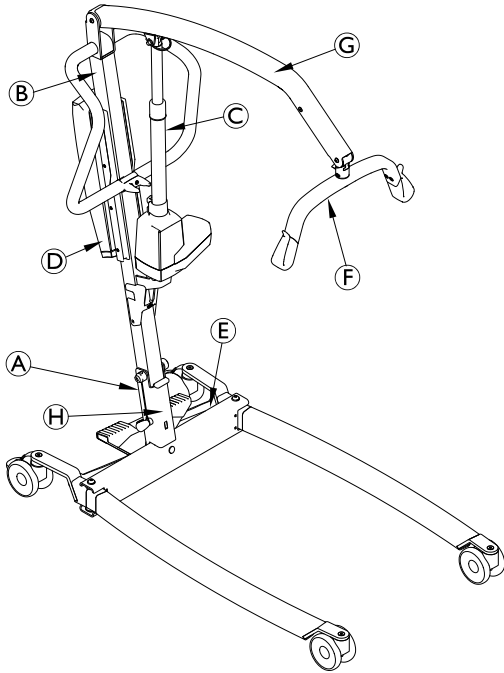
**ATTENZIONE!****Rischio di malfunzionamento**

Le interferenze elettromagnetiche possono causare malfunzionamenti.

- Non utilizzare il presente prodotto nelle vicinanze di o sovrapposto ad altre apparecchiature elettriche. Se un tale utilizzo fosse necessario, controllare attentamente che il prodotto e le altre apparecchiature funzionino normalmente.

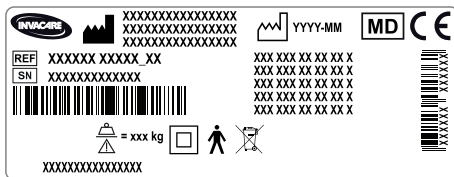
## 2.4 Etichette e simboli sul prodotto

### 2.4.1 Posizione delle etichette



(A)	Etichetta modello
(B)	Etichetta Leggere il manuale d'uso
(C)	Etichetta di avvertenza sull'attuatore
(D)	Etichetta di decadenza della garanzia – solo sulla centralina CBJ1 e CBJ2
(E)	Etichetta di condizioni ambientali e peso massimo totale
(F)	Carico del bilancino per un utilizzo in sicurezza
(G)	Nome e carico del sollevatore per un utilizzo in sicurezza - testo a seconda del modello
(H)	Carico del sollevatore per un utilizzo in sicurezza - testo a seconda del modello (solo albero fisso)

### 2.4.2 Etichetta modello



L'etichetta modello contiene le informazioni principali sul prodotto, compresi i dati tecnici.

#### Simboli

<b>SN</b>	Numero di serie
<b>REF</b>	Codice di riferimento

	Produttore
	Data di produzione
	Carico massimo per un utilizzo sicuro
	Apparecchiatura di Classe II
	Parte applicata di tipo B
	Conforme alla direttiva RAEE
<b>CE</b>	Conformità europea
<b>MD</b>	Dispositivo medico



Abbreviazioni per i dati tecnici:

- lin = Corrente di ingresso
- AC = Corrente alternata
- Uin = Tensione assorbita
- Max = massimo
- Int. = Intermittenza
- min = minuto

Per ulteriori informazioni sui dati tecnici, fare riferimento a *11 Dati Tecnici, pagina 164*

### 2.4.3 Altri simboli

	Consultare il manuale d'uso
	Peso totale del prodotto con carico massimo per un utilizzo in sicurezza applicato
	Non utilizzare l'attuatore come barra di spinta
	Non rimuovere Decadenza della garanzia in caso di rimozione o rottura
	Limite di temperatura
	Limite di umidità
	Limite di pressione atmosferica

	Condizioni di trasporto e stoccaggio
	Condizioni di funzionamento

## 3 Panoramica del prodotto

### 3.1 Uso previsto

Il sollevatore mobile è un dispositivo di trasporto alimentato a batteria, destinato a trasferire e posizionare un paziente da una superficie di riposo a un'altra. Ad esempio:

- Da letto a carrozzina e viceversa
- Da e verso la toilette
- Abbassamento e sollevamento dei pazienti fino al/dal livello del pavimento

Il carico massimo per un utilizzo in sicurezza è indicato in **11 Dati Tecnici**, pagina 164

Il sollevatore mobile è progettato per essere usato all'interno su una superficie piana in ambienti tipo ospedali, strutture assistenziali e domicili. Il sollevatore mobile può essere fatto ruotare sul posto per i trasferimenti in spazi limitati.

Il presente prodotto è destinato a essere usato da un operatore sanitario o da un privato che abbia ricevuto adeguata formazione.

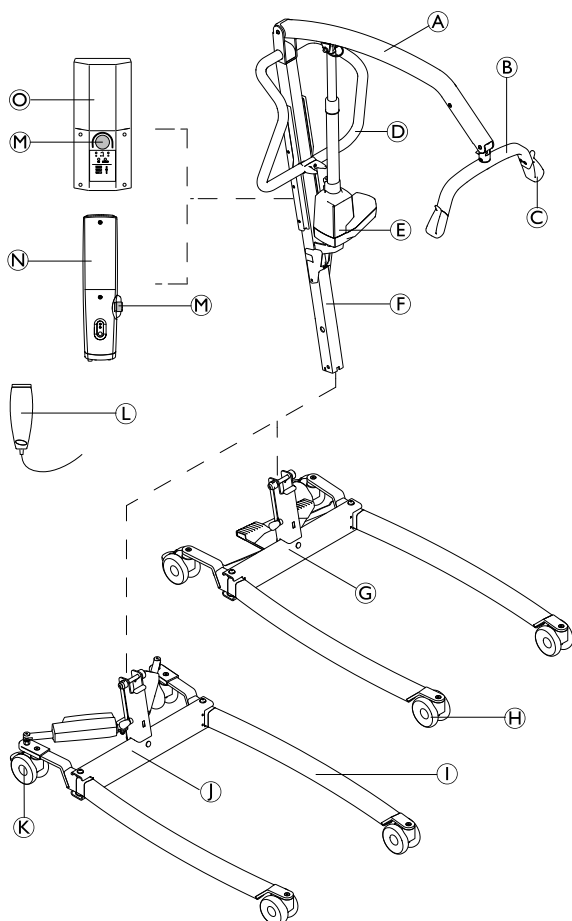
### Indicazioni

Il sollevatore mobile è indicato per pazienti completamente o parzialmente immobilizzati, che non possono essere trasferiti con altri tipi di sollevatori o ausili di trasferimento.

Tutti i cambiamenti di posizione sono possibili senza collaborazione da parte del paziente.

Non si conoscono controindicazioni per questo prodotto.

### 3.2 Componenti principali del sollevatore



Ⓐ	Braccio
Ⓑ	Bilancino – con o senza SMARTLOCK™
Ⓒ	Gancio per imbracatura
Ⓓ	Barra di spinta
Ⓔ	Attuatore di sollevamento
Ⓕ	Albero – ripiegabile o fisso
Ⓖ	Base con pedale per il meccanismo di apertura della base manuale
Ⓗ	Ruote anteriori orientabili
Ⓘ	Gamba
Ⓙ	Base con attuatori per meccanismo di apertura della base elettrico – con o senza coperture degli attuatori
Ⓚ	Ruote posteriori orientabili con freno
Ⓛ	Pulsantiera
Ⓜ	Arresto di emergenza
Ⓝ	Centralina CBJ Home con batteria integrata
Ⓞ	Centralina CBJ Care, CBJ1 o CBJ2 con batteria rimovibile

### 3.3 Accessori

**i** In considerazione delle differenze regionali, fare riferimento al sito web o al catalogo locale di Invacare per dettagli sugli accessori disponibili o contattare il proprio fornitore Invacare.

- Bilancino a 4 punti (stile a grucciona), lungo 450, 500 o 550 mm
- Bilancino a 2 punti (stile a grucciona), lungo 350, 450 o 550 mm
- Bilancia da montare con il bilancino
- Leva per il meccanismo di apertura della base manuale
- Caricabatterie a parete per batteria rimovibile
- Batteria supplementare
- Carenature protettive per le gambe
- Imbottitura per bilancino

Modelli di imbracatura con attacchi ad occhiello, adatti a bilancini dotati di ganci (stile a grucciona):

- Imbracature di sostegno completo del corpo - senza supporto per la testa
- Imbracature di sostegno completo del corpo - con supporto per la testa
- Imbracature per toeletta/vestizione - con o senza supporto per la testa
- Imbracature per amputati

## 4 Messa in servizio

### 4.1 Informazioni generali sulla sicurezza



**ATTENZIONE!**

- Prima dell'utilizzo, controllare tutte le parti per individuare eventuali danni dovuti al trasporto.
- In caso di danni, non utilizzare l'apparecchiatura. Contattare il proprio fornitore Invacare per ulteriori istruzioni.



**ATTENZIONE!**

**Pericolo di lesioni**

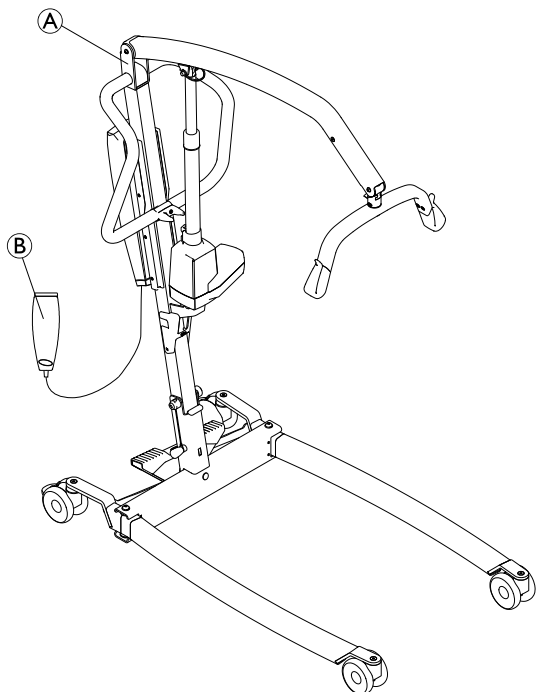
- Un montaggio non corretto può causare lesioni o danni.
- Utilizzare solo pezzi di Invacare per il montaggio di questo sollevatore.
  - Dopo ogni montaggio, controllare che tutti i raccordi siano ben serrati e che tutte le parti funzionino correttamente.
  - Non stringere eccessivamente le viti. Ciò potrebbe danneggiare le staffe di montaggio.



Per montare il sollevatore non sono richiesti utensili. In caso di problemi o domande durante il montaggio, contattare il proprio fornitore Invacare.

### 4.2 Contenuto della fornitura

Gli articoli inclusi nell'imballo dipendono dai modelli e dalle configurazioni disponibili nel proprio paese. Consultare la sezione 1.1 *Introduzione, pagina 138*



<p>(A)</p>	<p>Sollevatore – inclusi base, albero, braccio, bilancino, centralina e attuatori</p> <ul style="list-style-type: none"> <li>• con albero ripiegabile (1 pezzo)</li> <li>• con albero fisso (2 pezzi) – la base è un pezzo separato</li> </ul>
<p>(B)</p>	<p>Pulsantiera (1 pezzo)</p>

	<p>Cavo di alimentazione (1 pezzo)</p>
	<p>Manuale d'uso (1 pezzo)</p>
	<p>Batteria (1 pezzo)* – solo CBJ Care, CBJ1 e CBJ2</p>
	<p>Leva per il meccanismo di apertura della base manuale (1 pezzo)*</p>
	<p>Imbracatura (1 pezzo)*</p>

\* Dipende dal modello e/o della configurazione



Se il sollevatore viene fornito completo di imbracatura, fare riferimento al manuale d'uso di quest'ultima per le istruzioni sul relativo uso, applicazione, manutenzione e lavaggio.

### 4.3 Montaggio dell'albero

#### 4.3.1 Apertura dell'albero

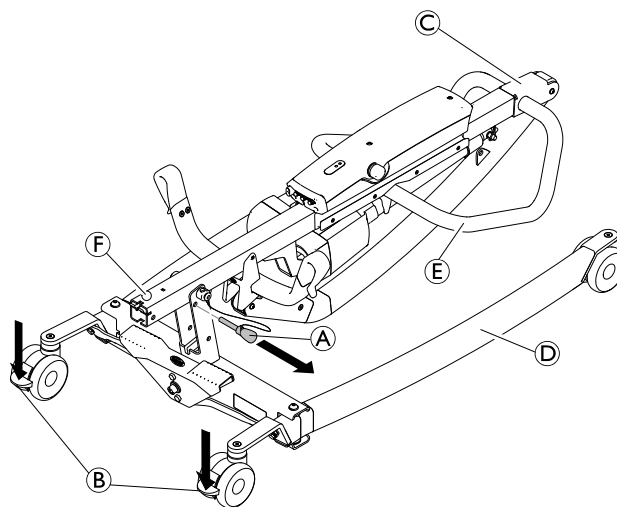
(solo albero ripiegabile)



**ATTENZIONE!**

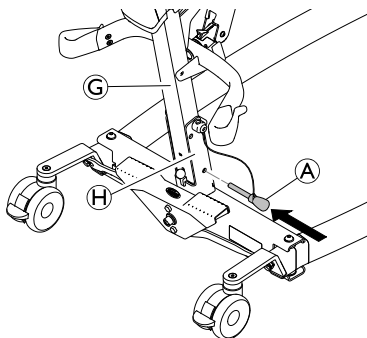
- L'albero può essere ripiegato per l'immagazzinamento o il trasporto. Ogni volta che viene ripiegato, l'albero DEVE essere fissato correttamente alla base.
- Prima del montaggio, controllare tutti i componenti per individuare eventuali difetti o danni visibili. In caso di danni, non utilizzare il prodotto e contattare il proprio fornitore Invacare.
- Assicurarsi che l'arresto di emergenza sia attivato prima del montaggio o dello smontaggio.
- Prestare la massima attenzione durante il sollevamento dei componenti per il montaggio. Alcuni componenti sono pesanti. Ricordarsi di adottare sempre la posizione di sollevamento corretta.

Effettuare le operazioni di disimballaggio e di montaggio al livello del pavimento.





1. Bloccare entrambe le ruote posteriori orientabili ②.  
Rimuovere il perno di bloccaggio ①.
2. Sollevare il gruppo dell'albero ③ in posizione verticale poggiando un piede sulla gamba ④ e tirando verso l'alto la barra di spinta ⑤ fino a far scattare il fermo di sicurezza ⑥.
- 3.



Reinserire il perno di bloccaggio ① attraverso l'albero ③ e la base ④. Assicurarsi che il perno di bloccaggio sia inserito correttamente.

### 4.3.2 Montaggio dell'albero sulla base

(solo albero fisso)



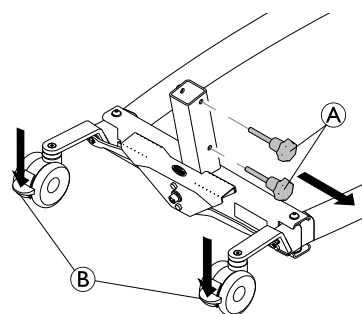
#### ATTENZIONE!

#### Pericolo di lesioni o danni

Il carico massimo indicato sul braccio e sulla base per un utilizzo in sicurezza deve essere lo stesso.

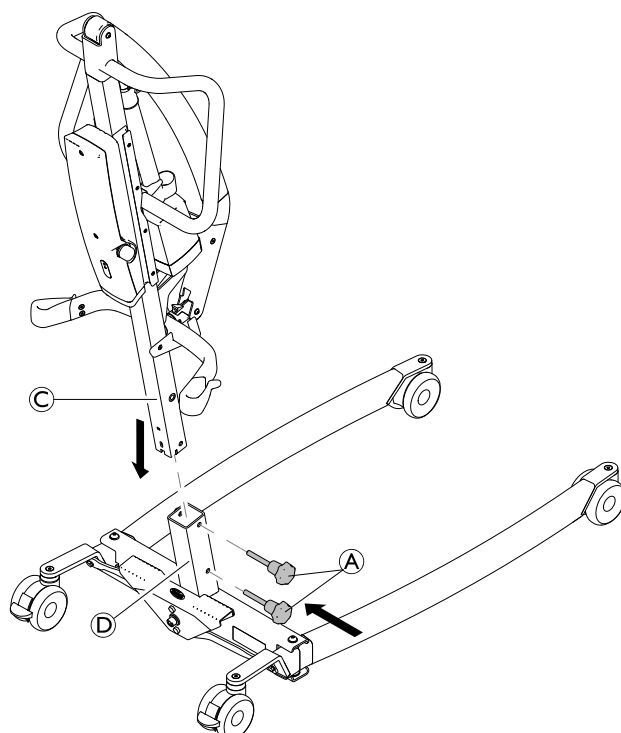
- Confrontare sempre i valori del carico massimo per un utilizzo in sicurezza indicati sulla base e sul braccio.

1.



Bloccare entrambe le ruote posteriori orientabili ② e ruotare le viti a manopola in senso antiorario ① per rimuoverle dalla base

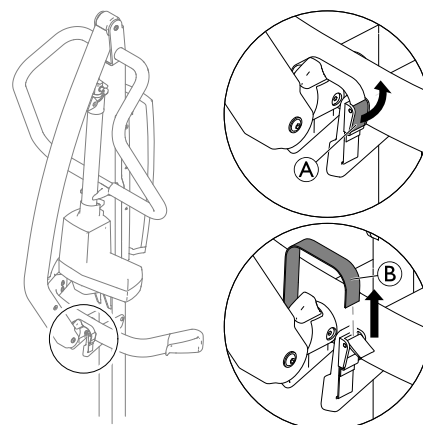
2.



Con il braccio rivolto in avanti, abbassare l'albero ③ nel supporto della base ④ e reinserire le viti a manopola ① per fissare l'albero ③ alla base.

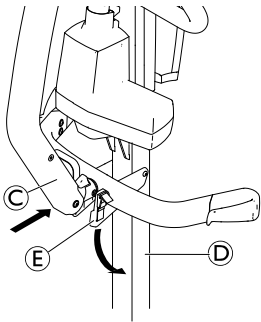
### 4.4 Apertura del bilancino

1.



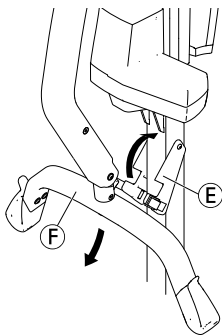
Aprire il dispositivo di fissaggio ① e rimuovere la fascia ② dalla fibbia di serraggio.

2.



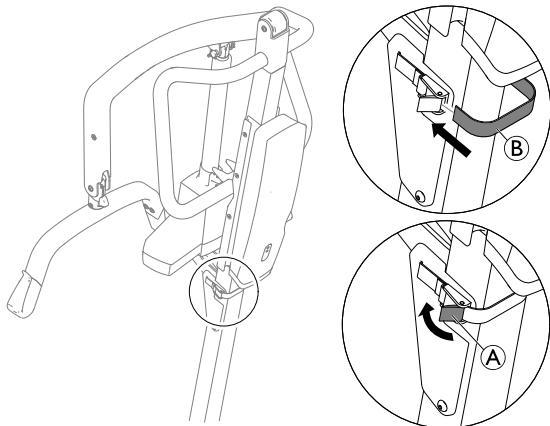
Premere e tenere premuto il braccio C verso l'albero D e abbassare il fermo del bilancino E.

3.



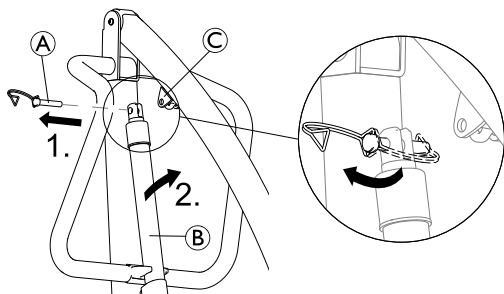
Abbassare il bilancino F e alzare il fermo del bilancino E.

4.

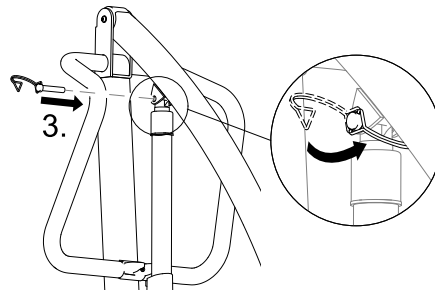


Avvolgere la fascia B attorno alla parte posteriore dell'albero, inserirla nella fibbia di serraggio e chiudere il dispositivo di fissaggio A.

#### 4.5 Montaggio dell'attuatore sul braccio



1. Sganciare il fermo D e rimuovere il perno A dall'attuatore B.
2. Rimuovere l'attuatore B dalla staffa sull'albero e montarlo sulla staffa di montaggio del braccio C.
- 3.



Allineare i fori e reinstallare il perno A. Assicurarsi che il perno sia completamente inserito e fissarlo con il fermo D.



#### IMPORTANTE

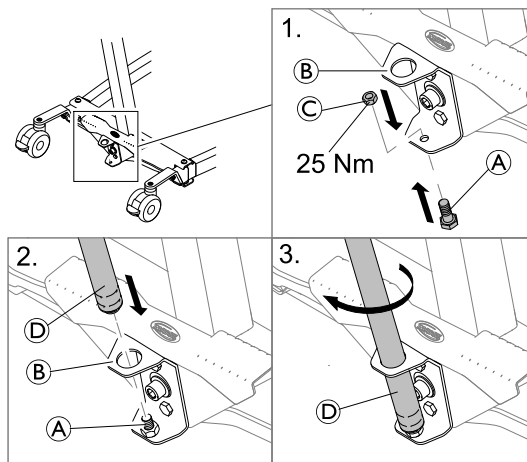
A causa dei carichi più elevati, Birdie® EVO XPLUS richiede un perno più lungo.

- Utilizzare Birdie® EVO XPLUS solo con il perno più lungo, indicato da un fermo D nero.

#### 4.6 Montaggio della leva per il meccanismo di apertura della base manuale



Chiave da 2 x 13 mm



1. Inserire il bullone A dal basso nel foro inferiore della staffa B e fissarlo con il dado C.
2. Inserire l'estremità filettata della leva D nel foro superiore della staffa B nel bullone fisso A.
3. Ruotare la leva D in senso orario per avvitare la nel bullone.

## 4.7 Ripristino dell'indicatore di manutenzione

(solo centralina CBJ Care)

- !** **IMPORTANTE!**  
Se la spia di manutenzione è gialla lampeggiante durante l'utilizzo quotidiano o dopo un rimontaggio, il sollevatore necessita di manutenzione.  
– Per la manutenzione, rivolgersi al proprio fornitore Invacare.

Dopo il montaggio iniziale del sollevatore, l'indicatore di manutenzione deve essere ripristinato prima dell'utilizzo.

Per eseguire un ripristino iniziale dell'indicatore di manutenzione:

1. Individuare la pulsantiera.
2. Premere e tenere premuti il pulsante di SOLLEVAMENTO e il pulsante di ABBASSAMENTO contemporaneamente per cinque secondi.
3. Quando l'indicatore di manutenzione è stato ripristinato, viene emesso un segnale acustico.

## 5 Uso

### 5.1 Informazioni generali sulla sicurezza



#### ATTENZIONE!

##### Pericolo di lesioni o danni

Prima di utilizzare il sollevatore con un paziente, fare riferimento alle seguenti informazioni e istruzioni di sicurezza:

- 2 Sicurezza, pagina 139
- 6 Trasferimento del paziente, pagina 153

### 5.2 Bloccaggio/sbloccaggio delle ruote posteriori orientabili

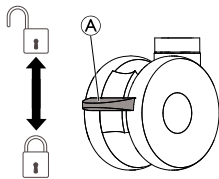


#### ATTENZIONE!

##### Pericolo di lesioni o danni

Il sollevatore può ribaltarsi e mettere in pericolo il paziente e gli assistenti.

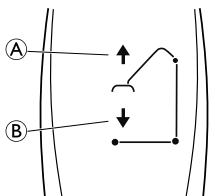
- Invacare raccomanda che le ruote posteriori orientabili siano sbloccate durante le procedure di sollevamento per consentire al sollevatore di stabilizzarsi quando il paziente viene inizialmente sollevato da una sedia, un letto o qualsiasi oggetto fisso.
- Invacare raccomanda di bloccare le ruote posteriori orientabili del sollevatore solo durante il posizionamento o la rimozione dell'imbracatura intorno al paziente.



- Per bloccare la ruota orientabile, spingere verso il basso il pedale (A) con il piede.
- Per sbloccare la ruota orientabile, spingere verso l'alto il pedale (A) con il piede.

### 5.3 Sollevamento/abbassamento di un sollevatore elettrico

La pulsantiera viene utilizzata per sollevare o abbassare il sollevatore.



1. Per sollevare il sollevatore — Tenere premuto il pulsante di SOLLEVAMENTO (A) per sollevare il braccio e il paziente.
2. Per abbassare il sollevatore — Tenere premuto il pulsante di ABBASSAMENTO (B) per abbassare il braccio e il paziente.



Rilasciare il pulsante per interrompere il sollevamento o l'abbassamento del sollevatore.

### 5.4 Chiusura/apertura delle gambe



#### ATTENZIONE!

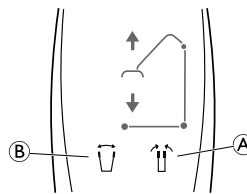
##### Pericolo di lesioni

Il sollevatore potrebbe ribaltarsi e mettere in pericolo il paziente e gli assistenti.

- Le gambe del sollevatore devono essere nella posizione di massima apertura per garantire la massima stabilità e sicurezza. Nel caso in cui sia necessario chiudere le gambe del sollevatore per posizionarlo sotto un letto, chiudere le gambe del sollevatore solo per il tempo necessario a posizionarlo sopra il paziente e sollevare il paziente dalla superficie del letto. Quando le gambe del sollevatore non si trovano più sotto il letto, riportarle alla posizione di massima apertura.

#### 5.4.1 Chiusura/apertura elettrica delle gambe

La pulsantiera viene utilizzata per aprire o chiudere le gambe della base.

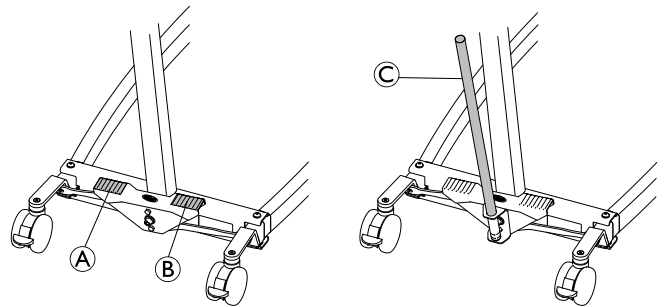


1. Per chiudere le gambe, tenere premuto il pulsante "gambe chiuse" (A).
2. Per aprire le gambe, tenere premuto il pulsante "gambe aperte" (B).



Le gambe smettono di muoversi quando viene rilasciato il pulsante.

#### 5.4.2 Chiusura/apertura manuale delle gambe



Il meccanismo di apertura della base manuale viene azionato mediante due pedali (A e B) o la leva C.

1. Per aprire le gambe, premere il pedale destro (B) con un piede.
2. Per chiudere le gambe, premere il pedale sinistro (A) con un piede.

Tramite la leva:

1. Per aprire le gambe, tirare la leva (C) verso destra.
2. Per chiudere le gambe, spingere la leva (A) verso sinistra.

### 5.5 Sostituzione del bilancino

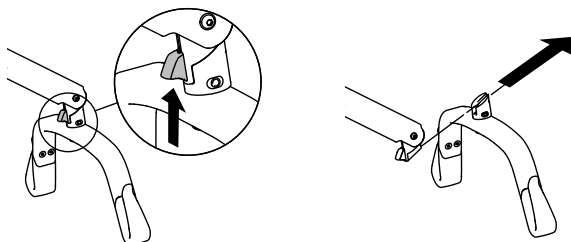
(solo bilancino con SMARTLOCK™)

**ATTENZIONE!****Pericolo di lesioni**

- Utilizzare esclusivamente bilancini realizzati per questo sollevatore.
- Assicurarsi che il bilancino sia adatto per il paziente e per l'effettiva operazione di sollevamento o di trasferimento richiesta.
- Controllare che il bilancino sia saldamente fissato al connettore del braccio e che non possa essere rimosso senza premere il pulsante di rilascio.

**Rimozione del bilancino**

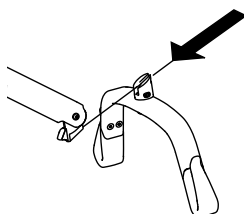
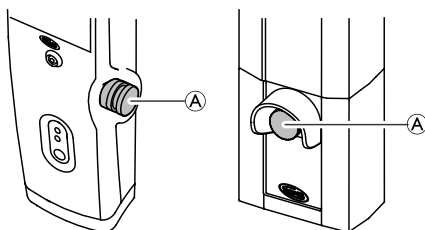
- 1.
- 2.



1. Premere e tenere premuto il pulsante di rilascio verso l'alto.
2. Estrarre il bilancino facendolo scorrere in avanti e leggermente inclinato verso l'alto.

**Montaggio di un bilancino**

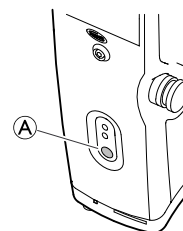
1. Far scorrere il bilancino all'interno fino a udire uno scatto.
2. Controllare che il bilancino sia saldamente fissato al connettore del braccio e che non possa essere rimosso senza premere il pulsante di rilascio.

**5.6 Funzioni di emergenza****5.6.1 Esecuzione di un arresto di emergenza**

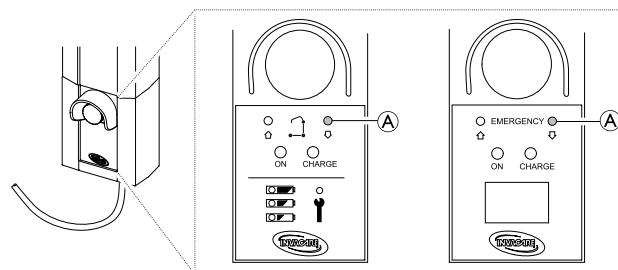
1. Premere il pulsante di emergenza rosso (A) sulla centralina per interrompere il sollevamento o l'abbassamento del braccio e del paziente.
2. Per ripristinare, ruotare il pulsante di emergenza in senso orario.

**5.6.2 Attivazione di abbassamento di emergenza (centralina CBJ Home)**

Se la pulsantiera non funziona, il braccio può essere abbassato azionando l'interruttore rotondo per il rilascio di emergenza.

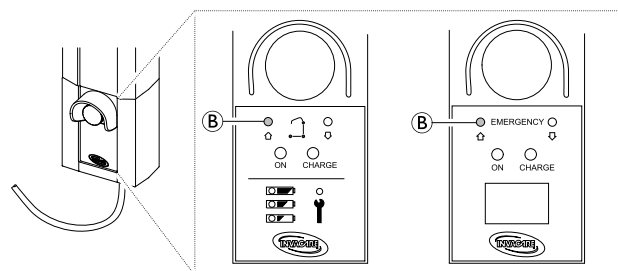


1. Abbassare il braccio tenendo premuto il pulsante (A) sulla parte anteriore della centralina.
2. Interrompere l'abbassamento del braccio rilasciando il pulsante.

**5.6.3 Attivazione di abbassamento di emergenza (centralina CBJ Care, CBJ1, CBJ2)**

Se la pulsantiera non funziona, il braccio può essere abbassato azionando l'interruttore rotondo per il rilascio di emergenza. Utilizzare un oggetto appuntito, come una matita, per premere il pulsante.

1. Abbassare il braccio tenendo premuto il pulsante (A) sulla parte anteriore della centralina.
2. Interrompere l'abbassamento del braccio rilasciando il pulsante.

**5.6.4 Attivazione di sollevamento di emergenza (centralina CBJ Care, CBJ1)**

Se la pulsantiera non funziona, il braccio può essere sollevato azionando l'interruttore rotondo per il sollevamento di emergenza. Utilizzare un oggetto appuntito, come una matita, per premere il pulsante.

1. Sollevare il braccio tenendo premuto il pulsante (B) sulla parte anteriore della centralina.
2. Interrompere il sollevamento del braccio rilasciando il pulsante.

### 5.6.5 Attivazione di un abbassamento di emergenza meccanico

Se l'abbassamento di emergenza sulla centralina non funziona, è disponibile un abbassamento di emergenza meccanico tampone. Questo può accadere in caso di interruzione totale o parziale della corrente elettrica o se la batteria si scarica durante l'utilizzo.



#### ATTENZIONE!

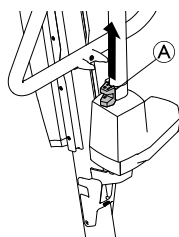
##### Pericolo di lesioni o danni

L'abbassamento di emergenza ripetuto comporta un aumento elevato della velocità di abbassamento.

- Utilizzare l'abbassamento di emergenza meccanico tampone solo quando l'abbassamento di emergenza sulla centralina non funziona.
- Non utilizzare ripetutamente l'abbassamento di emergenza meccanico in successione ravvicinata.
- Abbassare sempre il paziente su una superficie di appoggio come un letto o una sedia.
- Qualora sia stato necessario un abbassamento di emergenza meccanico, occorre controllare il sollevatore per risolvere il malfunzionamento della centralina.

### Birdie® EVO and Birdie® EVO PLUS / XPLUS

1. Individuare l'impugnatura di emergenza rossa (A) alla base del pistone dell'attuatore.
2. Tirare lentamente verso l'alto l'impugnatura di emergenza rossa (A) e tenerla in posizione non appena viene raggiunta una velocità di abbassamento sicura.
3. Se non avviene alcun abbassamento con un'impugnatura di emergenza (A) completamente tirata, tirare contemporaneamente il braccio verso il basso.



La velocità di abbassamento effettiva dipende dal peso del paziente. Se la velocità è troppo elevata o troppo ridotta, è possibile adattarla al peso del paziente.

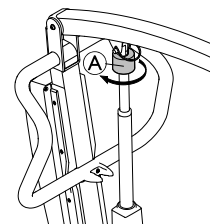
Regolazione della velocità di abbassamento:

1. Individuare la vite nel foro alla base dell'impugnatura di emergenza rossa (A).
2. Ruotare la vite in senso antiorario per aumentare la velocità.
3. Ruotare la vite in senso orario per diminuire la velocità.

### Birdie® EVO COMPACT

(opzionale)

1. Individuare la manopola di rilascio di emergenza (A) sulla parte superiore del pistone dell'attuatore.
2. Ruotare la manopola di rilascio di emergenza (A) in senso orario.



### 5.7 Ricarica della batteria



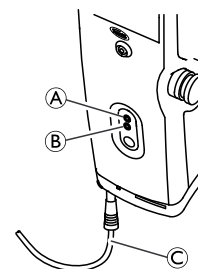
#### IMPORTANTE!

- Assicurarsi che il dispositivo di arresto di emergenza non sia attivato durante la ricarica della batteria.
- Assicurarsi che la ricarica della batteria sia effettuata in un locale ben ventilato.
- Le funzioni elettriche sono disattivate quando il sollevatore è collegato alla rete di alimentazione elettrica.
- Non tentare di utilizzare il sollevatore se l'involucro della batteria è danneggiato.
- Sostituire un involucro della batteria danneggiato prima di utilizzare nuovamente il sollevatore.
- Non spostare il sollevatore senza averlo prima scollegato dalla presa di corrente.


Si consiglia di caricare la batteria quotidianamente per garantire l'utilizzo ottimale del sollevatore e per prolungare la vita della batteria. Inoltre, si raccomanda di caricare la batteria prima di utilizzare il sollevatore per la prima volta.

#### 5.7.1 Centralina CBJ Home

La centralina è dotata di avvisatore acustico. Un suono indica che la carica della batteria è bassa, ma è ancora possibile abbassare il paziente. Si consiglia di ricaricare le batterie non appena viene emesso il segnale acustico.



1. Collegare il cavo di alimentazione © a una presa di corrente.

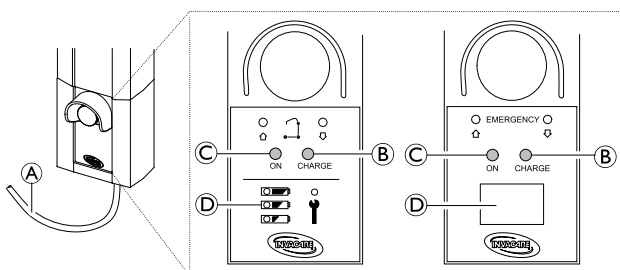
 La carica della batteria sarà completata in circa 4 ore. Quando le batterie sono completamente cariche, il caricabatteria si arresta automaticamente.

Il LED superiore giallo ① lampeggia durante la ricarica e passa ad essere illuminato in modo costante quando la batteria è completamente carica.

Il LED inferiore verde ② si illumina in modo costante quando la centralina è collegata alla rete elettrica e si accende quando viene premuto un qualsiasi pulsante sulla pulsantiera o quando è attivata la funzione di abbassamento elettrico di emergenza.


2. Una volta completata la carica della batteria, scollegare il cavo di alimentazione dalla presa di corrente.

### 5.7.2 Centralina CBJ Care, CBJ1, CBJ2



La centralina è dotata di avvisatore acustico. Un suono indica che la carica della batteria è bassa, ma è ancora possibile abbassare il paziente. Si consiglia di ricaricare le batterie non appena viene emesso il segnale acustico.

1. Collegare il cavo di alimentazione ① a una presa di corrente.

 La carica della batteria sarà completata in circa 4 ore. Quando le batterie sono completamente cariche, il caricabatteria si arresta automaticamente.

Il LED destro giallo ② si illumina in modo costante durante la ricarica e si spegne quando la batteria è completamente carica.

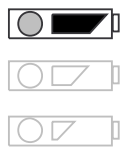
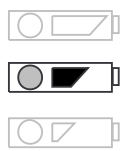
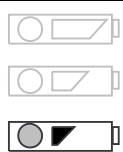
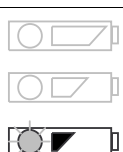
Il LED sinistro verde © si illumina in modo costante quando la centralina è collegata alla rete elettrica.

2. Una volta completata la carica della batteria, scollegare il cavo di alimentazione ① dalla presa di corrente.

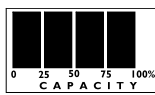
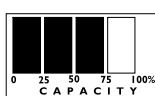
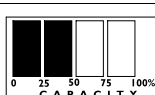
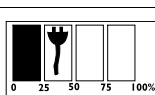

### Spia della batteria

La centralina può essere dotata di una spia della batteria ④, che indica la capacità residua della batteria.

### CBJ Care

Tipo di indicatore della batteria	Stato di carica della batteria	Descrizione
	Completamente carica	La batteria è OK, non deve essere ricaricata (100–50%). Il LED superiore è VERDE.
	Parzialmente carica	La batteria deve essere ricaricata (50–25%). Il LED centrale è GIALLO.
	Scarica	La batteria deve essere ricaricata (meno del 25%). Viene emesso un segnale acustico quando viene premuto un pulsante. Il LED inferiore è GIALLO.
	Scarica (LED lampeggiante)	La batteria deve essere ricaricata. Alcune delle funzionalità del sollevatore non sono disponibili ed è solo possibile abbassare il braccio.

### CBJ1 e CBJ2 con LCD

Tipo di indicatore della batteria	Stato di carica della batteria	Descrizione
	Completamente carica (100%)	La batteria è OK, non deve essere ricaricata (100%).
	Parzialmente carica (75%)	La batteria è OK, non deve essere ricaricata (75%).
	Parzialmente carica (50%)	La batteria deve essere ricaricata (50%).
	Scarica (25%)	La batteria deve essere ricaricata (25%). Viene emesso un segnale acustico quando viene premuto un pulsante.
	Scarica (0%)	La batteria deve essere ricaricata. Alcune delle funzionalità del sollevatore non sono disponibili ed è solo possibile abbassare il braccio.

### 5.7.3 Telecomando opzionale

Per CBJ Care è disponibile un telecomando opzionale con indicatore della batteria.

Tipo di indicatore della batteria	Stato di carica della batteria	Descrizione
	Completamente carica	La batteria è OK, non deve essere ricaricata (100–50%). Il LED sulla destra è VERDE.
	Parzialmente carica	La batteria deve essere ricaricata (50–25%). Il LED centrale è GIALLO.
	Scarica	La batteria deve essere ricaricata (meno del 25%). Viene emesso un segnale acustico quando viene premuto un pulsante. Il LED sulla sinistra è GIALLO.
	Scarica (LED lampeggiante)	La batteria deve essere ricaricata. Alcune delle funzionalità del sollevatore non sono disponibili ed è solo possibile abbassare il braccio.

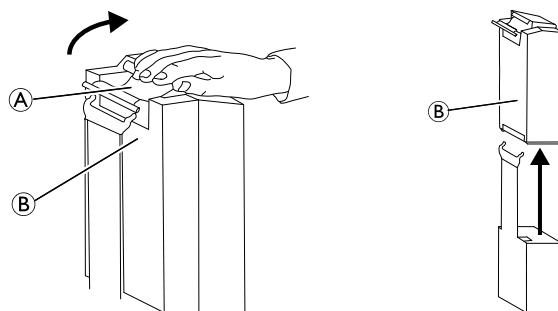
### 5.7.4 Caricabatteria opzionale

(solo per centraline con batteria rimovibile)

La procedura di rimozione o installazione della batteria è identica per la centralina e il caricabatteria.

#### Rimozione della batteria

1. 2.



1. Sollevare mediante la maniglia **A** sul retro della batteria **B**.
2. Sollevare la batteria ed estrarla dalla centralina o dal caricabatteria.

#### Installazione della batteria

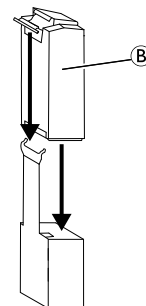


#### AVVERTENZA!

L'installazione errata della batteria può causare lesioni o danni.

– Quando si installa la batteria sulla centralina o sul caricabatteria, assicurarsi di sentire uno scatto a conferma della corretta installazione.

1. Collocare la batteria **B** sulla centralina o sul caricabatteria come mostrato in figura e assicurarsi di sentire uno scatto.



Quando la batteria viene collocata sul caricabatteria, il LED di carica si illumina. Quando la ricarica è completa, il LED di carica si spegne.

Una batteria impiega circa quattro ore per essere completamente ricaricata.



## 6 Trasferimento del paziente

### 6.1 Informazioni generali sulla sicurezza



#### ATTENZIONE!

##### Pericolo di lesioni o danni

Un uso improprio del prodotto può causare lesioni o danni.

- Prima del trasferimento a un oggetto fisso (carrozzina, letto, sedia WC o altra superficie), verificare che la capacità di peso sia in grado di sopportare il peso del paziente.
- Se presenti, i bloccaruota o i dispositivi di bloccaggio delle ruote orientabili dell'oggetto fisso (carrozzina, letto, ecc.) devono essere in posizione bloccata prima di abbassare il paziente sull'oggetto fisso o di sollevarlo da esso.



#### ATTENZIONE!

##### Pericolo di lesioni o danni

Un uso improprio del prodotto può causare lesioni o danni.

- Utilizzare sempre le barre di spinta sull'albero per spingere o tirare il sollevatore.
- Evitare di usare il sollevatore su una superficie inclinata. Invacare raccomanda di utilizzare il prodotto esclusivamente su una superficie piana.
- Durante il trasferimento, con il paziente sospeso all'imbracatura attaccata al sollevatore, NON spingere il sollevatore su superfici irregolari che potrebbero causarne il ribaltamento.



#### ATTENZIONE!

##### Pericolo di lesioni o danni

Danni a parti del sollevatore (pulsantiera, ruote orientabili, ecc.) provocate da un urto contro il suolo, muri o altri oggetti fissi possono causare danni al prodotto e comportare lesioni.

- NON consentire a parti del sollevatore di urtare il suolo, muri o altri oggetti fissi.
- Conservare SEMPRE la pulsantiera in modo corretto quando non è utilizzata.



#### ATTENZIONE!

##### Pericolo di lesioni

Il bilancino può muoversi improvvisamente e provocare lesioni.

- Quando si posiziona il sollevatore, prestare attenzione alla posizione del bilancino e del paziente.



#### ATTENZIONE!

##### Rischio di intrappolamento o soffocamento

Il cavo della pulsantiera può provocare lesioni se non correttamente posizionato e fissato.

- Prestare SEMPRE attenzione alla posizione della pulsantiera rispetto al paziente o agli operatori sanitari.
- NON consentire al cavo della pulsantiera di rimanere impigliato intorno al paziente o agli operatori sanitari.
- La pulsantiera deve essere fissata in modo corretto. Conservare SEMPRE la pulsantiera in modo corretto quando non è utilizzata.



#### ATTENZIONE!

##### Rischio di intrappolamento o soffocamento

Elementi presenti vicino al paziente possono provocare intrappolamento o soffocamento durante il sollevamento. Per evitare l'intrappolamento o il soffocamento:

- Prima del sollevamento, controllare che il paziente sia completamente svincolato da oggetti circostanti.



#### ATTENZIONE!

##### Rischio di intrappolamento

Esiste un rischio di intrappolamento tra i ganci del bilancino e l'imbracatura.

- Effettuare il sollevamento con cautela.
- Durante il sollevamento, NON porre MAI le mani o le dita sui ganci o vicino a essi.
- Prima del sollevamento, assicurarsi che le mani e le dita del paziente siano lontane dai ganci.



#### IMPORTANTE!

Tutte le procedure di trasferimento descritte di seguito possono essere eseguite da un (1) assistente: Invacare consiglia tuttavia, se possibile, l'utilizzo di due (2) assistenti per l'esecuzione delle procedure.

### 6.2 Preparazione per il sollevamento



#### ATTENZIONE!

##### Pericolo di lesioni

Durante i trasferimenti e il funzionamento del sollevatore, il braccio può urtare il paziente o gli operatori sanitari e provocare lesioni.

- Prestare SEMPRE attenzione alla posizione del braccio durante i trasferimenti.
- Accertarsi che il braccio non sia posizionato in modo da urtare il paziente o chi si trova nelle vicinanze.
- Prestare SEMPRE attenzione alla posizione del proprio corpo rispetto al braccio durante i trasferimenti.

1. Prima di procedere, fare riferimento alle informazioni e rispettare tutte le avvertenze indicate nelle sezioni 2 *Sicurezza*, pagina 139 e *Sollevamento del paziente*.
2. Posizionare il paziente nell'imbracatura. Consultare il manuale d'uso dell'imbracatura.
3. Sbloccare le ruote posteriori orientabili. Consultare la sezione 5 *Uso*, pagina 148
4. Aprire le gambe del sollevatore. Consultare la sezione 5 *Uso*, pagina 148

5. Utilizzare le barre di spinta per spostare il sollevatore in posizione.

**ATTENZIONE!**

- Quando si utilizza il sollevatore in combinazione con letti o carrozzine, prestare attenzione alla posizione del sollevatore in relazione agli altri dispositivi in modo che non possa rimanere impigliato.
- Prima di posizionare le gambe del sollevatore sotto un letto, assicurarsi che la zona sia libera da ostruzioni.

6. Abbassare il sollevatore per attaccare agevolmente l'imbracatura.
7. Bloccare le ruote posteriori orientabili. Consultare la sezione 5 *Uso, pagina 148*
8. Attaccare l'imbracatura. Consultare la sezione 6.2.1 *Attacco dell'imbracatura al sollevatore, pagina 154*

**6.2.1 Attacco dell'imbracatura al sollevatore****ATTENZIONE!****Pericolo di lesioni**

L'uso di imbracature non corrette o danneggiate può provocare la caduta del paziente o causare lesioni agli assistenti.

- Per il comfort e la sicurezza del paziente che deve essere sollevato, utilizzare esclusivamente un'imbracatura approvata da Invacare e consigliata dal medico, dall'infermiere o dall'assistente sanitario che seguono il paziente.
- Le imbracature e gli accessori per sollevatore sono appositamente progettati per l'uso in combinazione con i sollevatori Invacare.
- Dopo ogni lavaggio (nel rispetto delle istruzioni riportate sull'imbracatura), controllare che le imbracature non presentino segni di usura o logoramento e cuciture allentate.
- Le imbracature scolorite, logorate, tagliate, danneggiate non sono sicure e potrebbero causare delle lesioni. Gettarle via immediatamente.
- NON modificare le imbracature.

**ATTENZIONE!****Pericolo di lesioni**

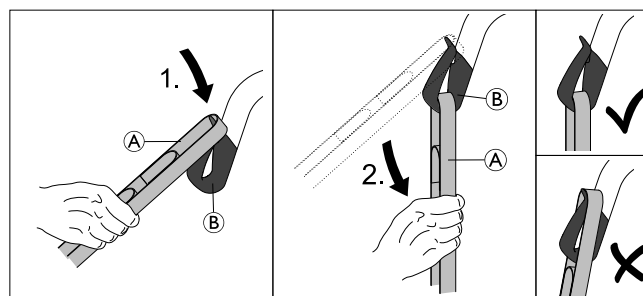
Imbracature fissate o regolate non correttamente possono provocare la caduta del paziente o causare lesioni agli assistenti.

- Assicurarsi di controllare gli attacchi dell'imbracatura ogni volta che questa viene rimossa e sostituita, al fine di garantire che sia fissata correttamente prima di spostare il paziente da un oggetto fisso (letto, carrozzina o sedia WC).
- Il bilancino DEVE essere fissato al sollevatore PRIMA di attaccare l'imbracatura.
- NON utilizzare nessun tipo di protezione posteriore in plastica per incontinenza o cuscino imbottito per sedile tra il paziente e il materiale

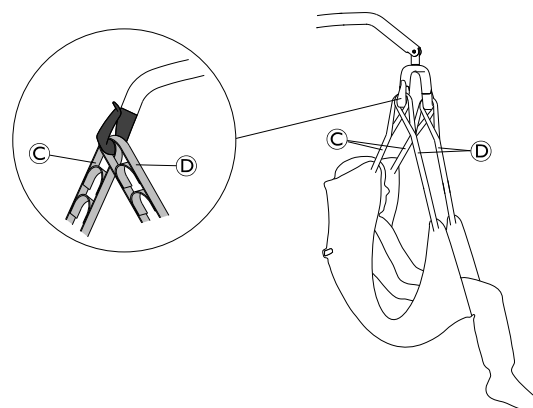
dell'imbracatura che possono far scivolare il paziente fuori dall'imbracatura durante il trasferimento.

- Quando si solleva un paziente, assicurarsi di avere sufficiente supporto per la testa.
- Posizionare il paziente nell'imbracatura come indicato dalle istruzioni fornite con l'imbracatura.
- Le regolazioni di sicurezza e comfort per il paziente devono essere eseguite prima di spostare il paziente.

Le cinghie dell'imbracatura possono essere dotate di occhielli con codice colore che indicano le varie lunghezze, da utilizzare per far assumere diverse posizioni al paziente. Se le cinghie sono più corte all'altezza delle spalle, il movimento di sollevamento sarà più verticale, favorendo il posizionamento del paziente su una sedia o nella carrozzina. Allungando le cinghie all'altezza delle spalle, si potrà ottenere una posizione più inclinata, più adatta per il trasferimento da una sedia al letto. Abbinare sempre i colori degli occhielli con le cinghie corrispondenti su ciascun lato dell'imbracatura per ottenere un sollevamento uniforme del paziente.

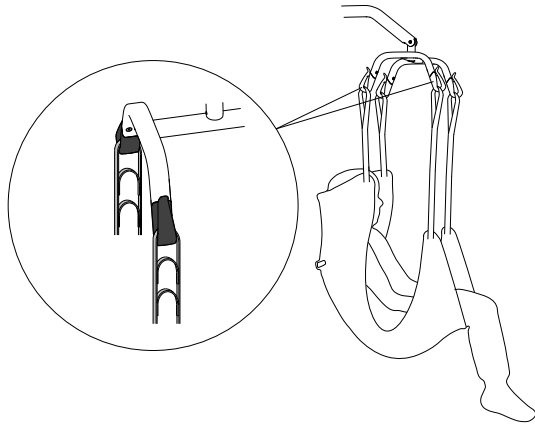


1. Posizionare l'occhiello desiderato (A) della cinghia sull'asola del gancio (B).
2. Abbassare la cinghia (A) fino a quando l'occhiello non è completamente inserito nella parte inferiore del gancio (B).
3. Ripetere i passaggi per ciascuna delle cinghie rimanenti dell'imbracatura.
  - a.



Su un bilancino a 2 punti, fissare la cinghia per le spalle (C) prima della cinghia per le gambe (D) su ciascuno dei ganci.

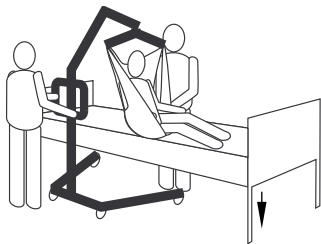
b.



Su un bilancino a 4 punti, fissare ciascuna cinghia a un singolo gancio.

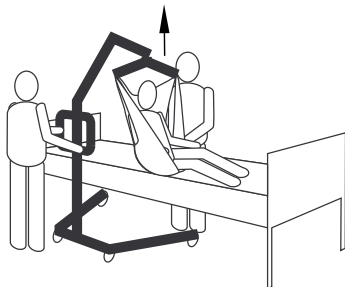
### 6.3 Trasferimento del paziente da un letto

1. Prepararsi per il sollevamento. Consultare la sezione 6.2 *Preparazione per il sollevamento, pagina 153*
2. Fissare l'imbracatura al sollevatore. Consultare la sezione 6.2.1 *Attacco dell'imbracatura al sollevatore, pagina 154*
3. Sbloccare le ruote posteriori orientabili.
- 4.



Portare il letto nella posizione più bassa.

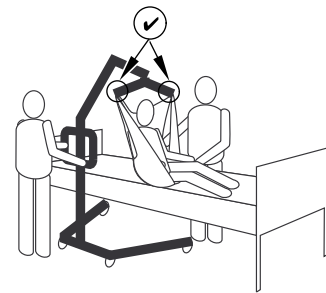
5.



Sollevare paziente a un'altezza sufficiente per liberare l'oggetto fisso, in modo che il suo peso sia interamente sostenuto dal sollevatore.

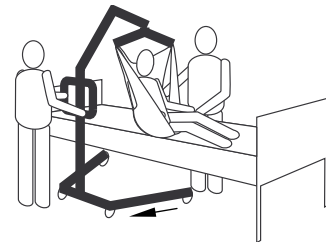
**i** Il braccio rimane in posizione fino a quando non viene premuto il pulsante di ABBASSAMENTO.

6.



Prima di spostare il paziente, controllare nuovamente che l'imbracatura sia fissata correttamente ai ganci del bilancino. Consultare la sezione 6.2.1 *Attacco dell'imbracatura al sollevatore, pagina 154*. Se gli attacchi non sono posizionati correttamente, abbassare nuovamente il paziente sull'oggetto fisso e correggere il problema.

7.



Allontanare il sollevatore dall'oggetto fisso servendosi delle barre di spinta.

8.



Utilizzando le maniglie dell'imbracatura, ruotare il paziente in modo che si trovi di fronte all'assistente che manovra il sollevatore.

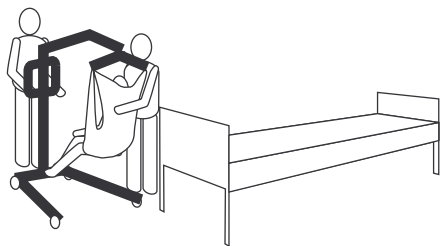
9.



Abbassare il paziente in modo che i piedi poggino sulla base del sollevatore, ai due lati dell'albero.

**i** Il baricentro più basso fornisce stabilità, facendo sentire il paziente più sicuro e rendendo il sollevatore più facile da spostare.

10.



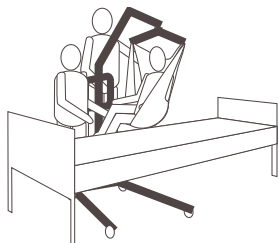
Spostare il sollevatore tenendo saldamente entrambe le mani sulle barre di spinta.

11. Procedere al trasferimento su un'altra superficie di riposo o oggetto fisso.

## 6.4 Trasferimento del paziente su un letto

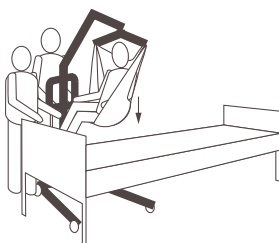
1. Eseguire i seguenti passaggi, oltre a quelli necessari per sollevare il paziente da un'altra superficie di riposo o oggetto fisso.

2.



Sollevare o abbassare il sollevatore per posizionare il paziente sulla superficie fissa. Assicurarsi di sollevare o abbassare sufficientemente il paziente per liberare i lati dell'oggetto fisso.

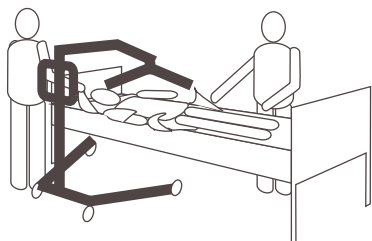
3.



Abbassare il paziente sulla superficie fissa.

4. Assicurarsi che il paziente sia sostenuto completamente dalla superficie a cui sta per essere trasferito.
5. Bloccare le ruote posteriori orientabili.
6. Sollevare il letto fino a una buona altezza di funzionamento (in genere, altezza delle caviglie degli operatori).

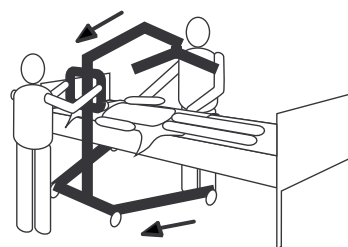
7.



Staccare l'imbracatura dal bilancino.

8. Sbloccare le ruote posteriori orientabili.

9.

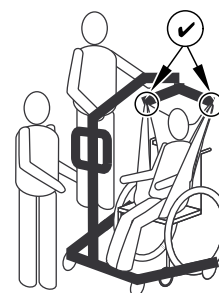


Allontanare il sollevatore dalla zona del paziente.

## 6.5 Trasferimento di un paziente da e verso una carrozzina

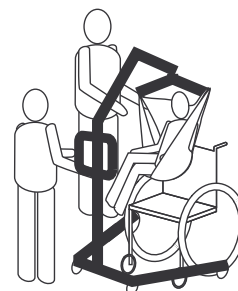
1. Innestare i freni di stazionamento della carrozzina per evitare lo spostamento della carrozzina.
2. Prepararsi per il sollevamento. Consultare la sezione 6.2 *Preparazione per il sollevamento, pagina 153*
3. Assicurarsi che la carrozzina sia posta tra le gambe aperte del sollevatore, con il paziente rivolto verso l'albero.
4. Fissare l'imbracatura al sollevatore. Consultare la sezione 6.2.1 *Attacco dell'imbracatura al sollevatore, pagina 154*
5. Sbloccare le ruote orientabili posteriori.

6.



Sollevare il braccio fino a quando le cinghie dell'imbracatura non sono in tensione e assicurarsi che l'imbracatura sia fissata correttamente ai ganci del bilancino. Consultare la sezione 6.2.1 *Attacco dell'imbracatura al sollevatore, pagina 154* Se gli attacchi non sono posizionati correttamente, abbassare nuovamente il paziente sulla carrozzina e correggere il problema.

7.



Sollevare il paziente a un'altezza sufficiente per liberare la superficie della carrozzina, in modo che il suo peso sia interamente sostenuto dal sollevatore.

8. Allontanare il sollevatore dalla carrozzina servendosi delle barre di spinta.
9. Procedere al trasferimento su un'altra superficie di riposo o oggetto fisso.

## 6.6 Trasferimento del paziente su una carrozzina

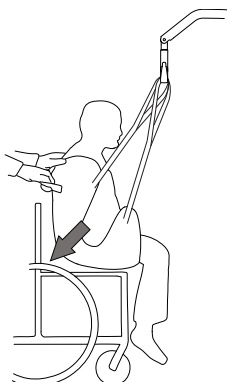


### ATTENZIONE!

#### Pericolo di lesioni

- Prima del trasferimento, verificare che la capacità di peso della carrozzina sia in grado di sopportare il peso del paziente.
- I bloccaruota della carrozzina DEVONO essere in posizione bloccata prima di abbassare il paziente nella carrozzina per il trasporto.

1. Eseguire i seguenti passaggi, oltre a quelli necessari per sollevare il paziente da un'altra superficie di riposo o oggetto fisso.
2. Innestare i freni di stazionamento della carrozzina per evitare lo spostamento della carrozzina.
3. Posizionare il paziente sul sedile con la schiena contro lo schienale della carrozzina.
- 4.



Iniziare ad abbassare il paziente e utilizzare la cinghia di presa (presente su alcuni modelli) o i lati dell'imbracatura per controllare il bacino del paziente il più indietro possibile nel sedile per il corretto posizionamento. Ciò mantiene un buon centro di equilibrio ed evita il ribaltamento in avanti della carrozzina.

## 6.7 Trasferimento di un paziente da e verso una sedia WC

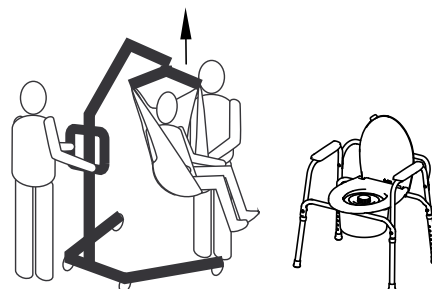
**i** Il sollevatore Invacare NON è inteso come un dispositivo di trasporto. Se le strutture del bagno NON sono vicine al letto o se il sollevatore non può essere facilmente manovrato verso la sedia WC, il paziente DEVE essere trasferito in una carrozzina e trasportato al bagno prima di utilizzare nuovamente il sollevatore per posizionare il paziente su una sedia WC standard.

**i** Le imbracature con aperture per sedia WC sono progettate per essere utilizzate con una sedia WC o una sedia WC standard.

**i** Prima di trasferire il paziente, il sollevatore deve essere portato presso le strutture del bagno per verificare che possa essere manovrato facilmente verso la sedia WC.

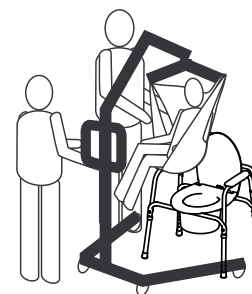
1. Eseguire i seguenti passaggi, oltre a quelli necessari per sollevare il paziente da un'altra superficie di riposo o oggetto fisso.

2.



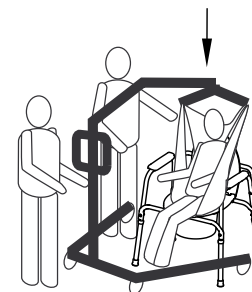
Sollevare il paziente a un'altezza sufficiente a liberare i braccioli della sedia dalla sedia WC e a farne supportare il peso dal sollevatore. Consultare la sezione 5 *Uso*, pagina 148

3.



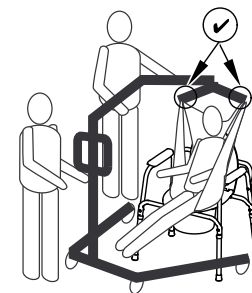
Posizionare il sollevatore in modo che le sue gambe siano all'esterno delle gambe della sedia WC e che le sue barre di spinta siano all'opposto della sedia WC, quindi aiutare il paziente a salire sulla sedia WC.

4.



Abbassare il paziente sulla sedia WC lasciando l'imbracatura fissata ai ganci del bilancino. Invacare raccomanda che l'imbracatura rimanga collegata ai ganci del bilancino mentre il paziente sta utilizzando la sedia WC o la sedia WC standard.

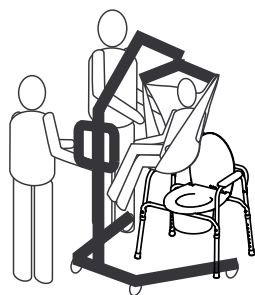
5.



Al termine, verificare nuovamente il fissaggio corretto dell'imbracatura.

6. Sollevare il paziente dalla sedia WC.

7.



Quando il paziente è distante dalla superficie della sedia WC, utilizzare le barre di spinta per spostare il sollevatore dalla sedia WC.

8. Procedere al trasferimento su un'altra superficie di riposo o oggetto fisso.

## 6.8 Sollevamento del paziente dal pavimento



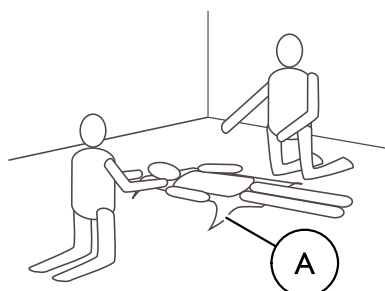
### ATTENZIONE! Pericolo di lesioni

Il sollevatore può ferire un paziente che si trova sul pavimento o un assistente che sta lavorando sul pavimento.

– Prestare sempre attenzione quando si spostano parti del sollevatore in prossimità di persone sul pavimento.

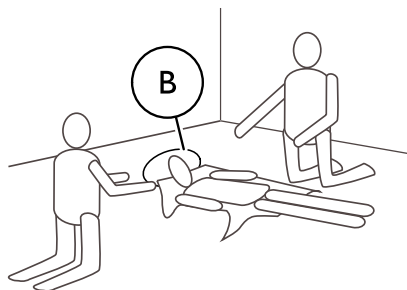
1. Determinare se il paziente ha subito lesioni a causa di una caduta. Se non è necessario l'intervento del medico, procedere al trasferimento.

2.



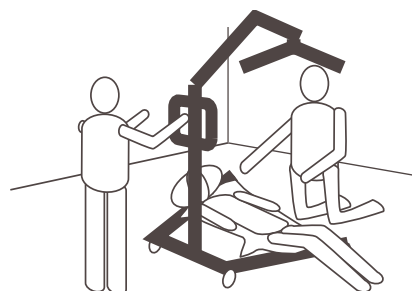
Posizionare l'imbracatura **A** sotto il paziente. Fare riferimento al manuale d'uso dell'imbracatura per ulteriori informazioni sul posizionamento di imbracature.

3.



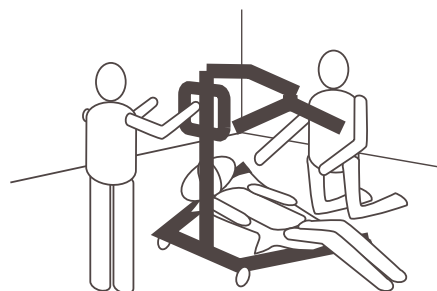
Piegare le ginocchia del paziente e sollevarne la testa dal pavimento sostenendola con un cuscino **B**.

4. Sbloccare le ruote posteriori orientabili. Consultare la sezione 5 *Uso*, pagina 148
5. Aprire le gambe del sollevatore. Consultare la sezione 5 *Uso*, pagina 148
- 6.



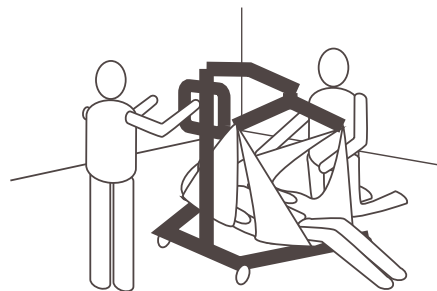
Posizionare il sollevatore con una gamba sotto le ginocchia piegate del paziente e l'altra gamba sotto la testa del paziente. Mantenere le cinghie dell'imbracatura all'interno delle gambe del sollevatore.

7.



Abbassare il braccio in modo che il bilanciamento si trovi direttamente sopra il torace del paziente.

8.



Attaccare l'imbracatura. Consultare la sezione 6.2.1 *Attacco dell'imbracatura al sollevatore*, pagina 154

9. Sollevare il braccio per sollevare il paziente dal pavimento.
10. Procedere al trasferimento su un'altra superficie di riposo o oggetto fisso.

## 7 Trasporto e immagazzinamento

### 7.1 Informazioni generali

Durante il trasporto, o quando il sollevatore non deve essere utilizzato per qualche tempo, il pulsante di arresto di emergenza deve essere in posizione premuta.

Una volta ripiegato o smontato, il sollevatore può essere posizionato nella confezione di imballaggio per il trasporto o l'immagazzinamento.

Un sollevatore ripiegato può essere spostato sulle ruote posteriori; i sollevatori dotati di meccanismo di apertura della base manuale possono essere parcheggiati in posizione verticale con il gruppo albero/braccio rivolto verso l'alto.

Il sollevatore deve essere conservato a normale temperatura ambiente. Se viene conservato in un ambiente umido, freddo o bagnato, il motore e altri elementi di montaggio potrebbero essere soggetti a corrosione. Consultare la sezione 11.4 *Condizioni ambientali*, pagina 166

### 7.2 Smontaggio dell'albero dalla base

(solo albero fisso)

1. Rimuovere la leva opzionale per il meccanismo di apertura della base, se montata.
2. Abbassare il braccio e chiudere completamente entrambe le gambe.
3. Azionare il pulsante di arresto di emergenza e applicare i freni delle ruote orientabili.
4. Eseguire in ordine inverso la procedura descritta nella sezione 4.5 *Montaggio dell'attuatore sul braccio*, pagina 146
5. Eseguire in ordine inverso la procedura descritta nella sezione 4.4 *Apertura del bilancino*, pagina 145
6. Eseguire in ordine inverso la procedura descritta nella sezione 4.3.2 *Montaggio dell'albero sulla base*, pagina 145

### 7.3 Ripiegamento dell'albero

(solo albero ripiegabile)

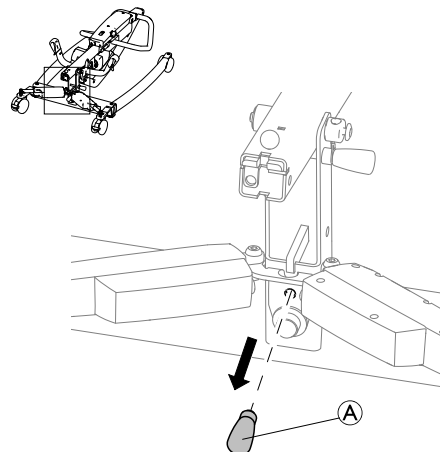
1. Rimuovere la leva opzionale per il meccanismo di apertura della base, se montata.
2. Abbassare il braccio e chiudere completamente entrambe le gambe.
3. Azionare il pulsante di arresto di emergenza e applicare i freni delle ruote orientabili.
4. Eseguire in ordine inverso la procedura descritta nella sezione 4.5 *Montaggio dell'attuatore sul braccio*, pagina 146
5. Eseguire in ordine inverso la procedura descritta nella sezione 4.4 *Apertura del bilancino*, pagina 145
6. Eseguire in ordine inverso la procedura descritta nella sezione 4.3.1 *Apertura dell'albero*, pagina 144 e tirare il fermo di sicurezza ⑥ verso l'alto senza lasciarlo prima di ripiegare l'albero.

### 7.4 Prolunga dell'albero per il posizionamento in verticale

(Solo Birdie EVO)

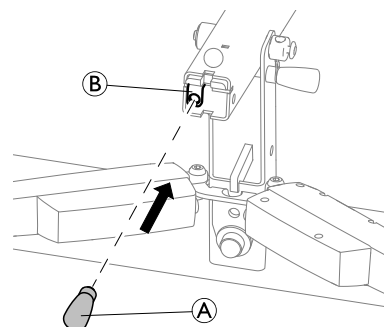
Se il sollevatore è dotato di un meccanismo di apertura della base elettrico, viene fornita una prolunga dell'albero magnetica per consentire il posizionamento in verticale.

1.



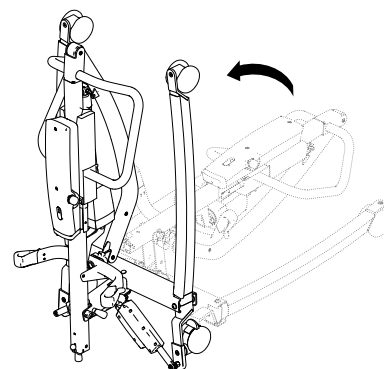
Estrarre la prolunga dell'albero ① dal proprio alloggiamento di stoccaggio sulla base del sollevatore.

2.



Inserire la prolunga dell'albero ① nel supporto ② situato in fondo all'albero ripiegato.

3.



È ora possibile posizionare il sollevatore ripiegato in verticale.

## 8 Manutenzione

### 8.1 Informazioni generali per la manutenzione



#### AVVERTENZA!

##### Pericolo di lesioni o danni

- Non eseguire interventi di manutenzione durante l'utilizzo del prodotto.

Seguire le procedure di manutenzione descritte nel presente manuale per mantenere il prodotto in servizio continuo.

Ulteriori procedure di manutenzione e controllo, che devono essere eseguite da un tecnico qualificato, sono descritte nel manuale per la manutenzione relativo a questo prodotto. I manuali per la manutenzione possono essere richiesti a Invacare.

### 8.2 Controlli quotidiani



#### ATTENZIONE!

##### Pericolo di lesioni o danni

- Le parti usurate o danneggiate possono influire sulla sicurezza del sollevatore.
- Il sollevatore deve essere controllato ogni volta che viene utilizzato.
  - Se si riscontrano danni o in caso di dubbi sulla sicurezza di qualsiasi parte del sollevatore, non utilizzarlo. Contattare immediatamente il proprio fornitore Invacare e assicurarsi che il sollevatore non venga utilizzato finché non vengano eseguite le riparazioni.

#### Lista di controllo quotidiana

- Controllare visivamente il sollevatore. Verificare che non siano presenti danni esterni o segni di usura su nessuna delle parti.
- Controllare tutti gli elementi di montaggio, i punti di fissaggio e i componenti sottoposti a sforzo, come le imbracature, i ganci e tutti i punti di articolazione per verificare l'eventuale presenza di segni di usura, rottura, sfilacciamento, deformazione o deterioramento.
- Verificare che la pulsantiera funzioni correttamente (sollevamento e movimenti delle gambe).
- Caricare la batteria ogni giorno in cui viene utilizzato il sollevatore.
- Controllare la funzione di arresto di emergenza.
- Controllare la spia di manutenzione (solo centralina CBJ Care).



La spia di manutenzione è indicata dal simbolo di una chiave sulla centralina ed eventualmente sulla pulsantiera.

- Se la spia di manutenzione è gialla lampeggiante, il sollevatore necessita di manutenzione. Non utilizzare il prodotto e contattare il proprio fornitore Invacare per assistenza.
- Se la spia di manutenzione non lampeggia, il sollevatore è pronto per l'uso.

## 8.3 Pulizia e disinfezione

### 8.3.1 Informazioni generali sulla sicurezza



#### AVVERTENZA!

##### Rischio di contaminazione

- Adottare opportune precauzioni per la propria protezione e utilizzare un'attrezzatura protettiva adeguata.



#### AVVERTENZA!

##### Rischio di scosse elettriche e danni al prodotto

- Spegner il dispositivo e scollegarlo dall'alimentazione, se è collegato.
- Durante la pulizia di componenti elettronici, considerare la loro classe di protezione contro l'ingresso di acqua.
- Assicurarsi che la spina e la presa di corrente a muro non siano esposte agli schizzi d'acqua.
- Non toccare la presa di corrente con le mani bagnate.



#### IMPORTANTE!

- Liquidi inappropriati o metodi errati potrebbero danneggiare il prodotto.
- Tutti i prodotti detergenti e disinfettanti utilizzati devono essere efficaci, compatibili tra loro e devono proteggere i materiali su cui vengono utilizzati durante la pulizia.
  - Non utilizzare mai liquidi corrosivi (sostanze alcaline, acidi, ecc.) o detergenti abrasivi. Si consiglia di utilizzare un normale prodotto detergente per la casa, come un detersivo liquido per i piatti, a meno che non siano state fornite indicazioni diverse nelle istruzioni di pulizia.
  - Non utilizzare mai solventi (diluente per cellulosa, acetone, ecc.) che modificano la struttura della plastica o che sciolgono le etichette applicate.
  - Prima di utilizzare il prodotto, assicurarsi sempre che sia completamente asciutto.



Per la pulizia e la disinfezione in ambienti clinici o di assistenza a lungo termine, seguire le procedure interne della struttura.

### 8.3.2 Intervalli di pulizia



#### IMPORTANTE!

- La pulizia e la disinfezione regolari consentono di assicurare il regolare e buon funzionamento, aumentare la durata e prevenire la contaminazione. Pulire e disinfettare regolarmente il prodotto.
- durante l'uso,
  - prima e dopo qualsiasi procedura di manutenzione,
  - in caso di contatto con liquidi biologici,
  - prima dell'uso per un nuovo utilizzatore.



### 8.3.3 Istruzioni per la pulizia



#### **IMPORTANTE!**

- Il prodotto non è adatto alla pulizia con sistemi di lavaggio automatici, sistemi di pulizia ad alta pressione o a vapore.

#### **Pulizia del sollevatore**

Metodo: pulire con un panno umido o una spazzola morbida.

Temperatura max: 40 °C

Solventi/sostanze chimiche: normale prodotto detergente per la casa e acqua.

Asciugatura: asciugare con un panno morbido.

#### **Pulizia dell'imbracatura**

Fare riferimento alle istruzioni di lavaggio dell'imbracatura e al manuale dell'imbracatura per le informazioni sulla pulizia.

### 8.3.4 Istruzioni per la disinfezione



Informazioni sui disinfettanti e i metodi consigliati sono disponibili all'indirizzo <https://vah-online.de/en/for-users>.

### **Nell'assistenza domestica**

Metodo: Seguire le note applicative per il disinfettante e la salvietta utilizzate e disinfettare tutte le superfici accessibili.

Disinfettante: normale disinfettante per la casa.

Asciugatura: Lasciare asciugare il prodotto all'aria.

### **Nell'assistenza clinica e a lungo termine**

Seguire le procedure di disinfezione interne e utilizzare solo i disinfettanti e i metodi ivi specificati.

## 8.4 Intervallo di manutenzione



#### **ATTENZIONE!**

#### **Pericolo di lesioni o danni**

La manutenzione deve essere eseguita esclusivamente da un tecnico qualificato.

- Per la manutenzione, rivolgersi al proprio fornitore Invacare.

La manutenzione deve essere eseguita almeno ogni 12 mesi salvo quanto previsto dalle norme locali.

## 9 Dopo l'utilizzo

### 9.1 Smaltimento



#### ATTENZIONE!

#### Pericolo per l'ambiente

Il dispositivo contiene batterie.

Il prodotto può contenere sostanze potenzialmente pericolose per l'ambiente se smaltite in luoghi (discariche) non conformi alla normativa in vigore.

- NON smaltire le batterie come normali rifiuti domestici.
- Le batterie DEVONO essere conferite in un sito di smaltimento idoneo. La loro restituzione è obbligatoria per legge e gratuita.
- Smaltire esclusivamente batterie scariche.
- Coprire i terminali delle batterie al litio prima dello smaltimento.
- Per ulteriori informazioni sul tipo di batteria, vedere l'etichetta delle batterie o consultare la sezione *11 Dati Tecnici, pagina 164*

Rispettare l'ambiente e riciclare il prodotto attraverso un centro di riciclaggio locale al termine del suo utilizzo.

Smontare il prodotto e i relativi componenti, in modo che i differenti materiali possano essere staccati e riciclati singolarmente.

Lo smaltimento e il riciclaggio dei prodotti usati e degli imballaggi devono essere eseguiti nel rispetto delle leggi e delle normative in materia di gestione dei rifiuti vigenti in ciascun paese. Per ulteriori informazioni, contattare la propria azienda di raccolta rifiuti locale.

### 9.2 Ricondizionamento

Questo prodotto è adatto per essere riutilizzato. Per il ricondizionamento del prodotto per un nuovo utilizzatore, intraprendere le azioni seguenti:

- Pulizia e disinfezione
- Ispezione secondo il piano di manutenzione

Per le informazioni dettagliate sull'ispezione, la pulizia e la disinfezione, consultare il manuale d'uso e il manuale per la manutenzione di questo prodotto.

## 10 Guida alla soluzione dei problemi

### 10.1 Identificazione dei guasti e possibili soluzioni


Segnali	Guasti	Soluzione
Il sollevatore paziente sembra allentato.	Giuntura dell'albero/della base allentata.	Fare riferimento alla sezione Montaggio dell'albero nella sezione Configurazione del manuale.
	Tiranti allentati.	Contattare il proprio fornitore Invacare.
Ruote orientabili/freni rumorosi o rigidi.	Lanugine o sporcizia nei cuscinetti.	Pulire le ruote orientabili in modo da rimuovere lanugine e sporcizia.
Suono rumoroso o secco dei perni.	Perni usurati o danneggiati.	Contattare il proprio fornitore Invacare.
L'attuatore elettrico non riesce a sollevare o le gambe non si aprono quando viene premuto il pulsante.	Connettore della pulsantiera o dell'attuatore allentato.	Collegare il connettore della pulsantiera o dell'attuatore. Assicurarsi che i connettori siano inseriti correttamente e siano completamente collegati.
	Batteria scarica.	Caricare la batteria. Consultare la sezione <i>5.7 Ricarica della batteria, pagina 150</i>
	Il pulsante di arresto di emergenza è premuto.	Ruotare il pulsante di arresto di emergenza in senso orario finché non scatta sollevandosi.
	Batteria non collegata correttamente alla centralina.	Ricollegare la batteria alla centralina. Consultare la sezione <i>5.7.4 Caricabatteria opzionale, pagina 152</i>
	I terminali di collegamento sono danneggiati.	Contattare il proprio fornitore Invacare.
	Cavo di alimentazione collegato alla presa di corrente.	Scollegare il cavo di alimentazione dalla presa di corrente.
	L'attuatore del braccio o delle gambe è danneggiato.	Contattare il proprio fornitore Invacare.
	È stato superato il carico massimo ammissibile	Ridurre il carico.
Rumore inconsueto dall'attuatore.	L'attuatore è danneggiato.	Contattare il proprio fornitore Invacare.
Il braccio non si abbassa quando si trova nella posizione superiore.	Il braccio richiede un peso minimo come carico per abbassarlo dalla posizione superiore.	Tirare il braccio leggermente verso il basso.
La centralina emette un segnale acustico durante il sollevamento e il motore si arresta.	È stato superato il carico massimo ammissibile	Ridurre il carico (il sollevatore tornerà a funzionare normalmente).



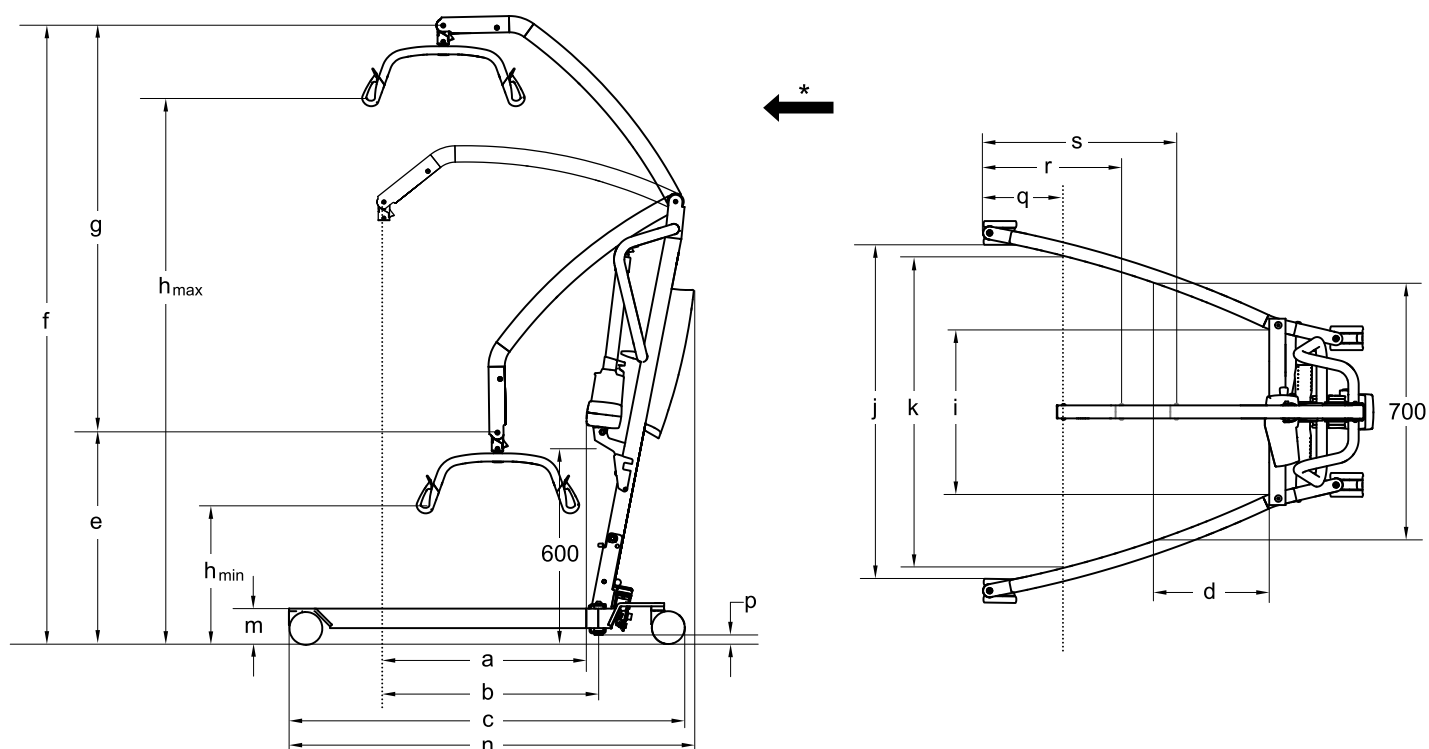
Se quanto indicato in precedenza non risolve i problemi, contattare il proprio fornitore Invacare.

## 11 Dati Tecnici

### 11.1 Carico massimo per un utilizzo in sicurezza

	Birdie® EVO	Birdie® EVO COMPACT	Birdie® EVO PLUS	Birdie® EVO XPLUS
Carico massimo per un utilizzo in sicurezza (paziente + bilancino + imbracatura)	180 kg	150 kg	180 kg	210 kg

### 11.2 Dimensioni e pesi




\* Direzione di marcia

Dimensioni [mm]	Birdie® EVO		Birdie® EVO COMPACT		Birdie® EVO PLUS / XPLUS
Diametro ruote orientabili anteriori / posteriori	75 / 75	100 / 100	75 / 75	100 / 100	100 / 125
Estensione massima a 600 mm (a)	630	630	530	530	630
Estensione massima dalla base (b)	630	630	530	530	630
Lunghezza della base (c)	1200	1220	1060	1080	1280
Lunghezza totale (n)	1250	1250	1100	1100	1280
Estensione dalla base con gambe aperte a 700 mm (d)	225	225	420	420	225
Altezza minima del PSC* / posizione più bassa (e)	630	645	730	745	645
Altezza massima del PSC* (f)	1870	1885	1805	1820	1885
Corsa di sollevamento (g)	1240	1240	1060	1060	1240
Altezza minima con imbracatura agganciata ( $h_{min}$ )	400	415	515	530	415
Altezza massima con imbracatura agganciata ( $h_{max}$ )	1645	1660	1575	1590	1660
Larghezza totale (con gambe aperte), tra le mezzerie delle ruote orientabili	1100	1100	890	890	1100
Larghezza totale (con gambe aperte), misura interna (j)	1040	1020	835	815	1020

Dimensioni [mm]	Birdie® EVO		Birdie® EVO COMPACT		Birdie® EVO PLUS / XPLUS
Larghezza totale (con gambe chiuse), misura esterna	640	640	520	520	640
Larghezza interna minima (i)	495	495	380	380	495
Larghezza interna in corrispondenza dell'estensione massima (k)	960	960	765	765	960
Diametro di sterzata	1400	1400	1070	1070	1430
Altezza del bordo superiore delle gambe (m)	100	115	100	115	115
Altezza minima libera da terra (p)	20	35	20	35	35
Distanza minima dalla parete al PSC* in corrispondenza dell'estensione massima (con gambe aperte) (q)	245	245	210	210	245
Distanza minima dalla parete al PSC* in corrispondenza dell'altezza massima (con gambe aperte) (r)	410	410	450	450	410
Distanza minima dalla parete al PSC* in corrispondenza dell'altezza minima (con gambe aperte) (s)	615	615	395	395	615
Altezza del prodotto ripiegato (solo versione ripiegabile)	455	470	455	470	470
Lunghezza del prodotto ripiegato (solo versione ripiegabile)	1300	1320	1190	1210	1360

\* PSC = Punto di Sospensione Centrale

 Tutte le misure sono state rilevate con un bilancino a 2 punte da 450 mm.

Pesi dei componenti principali [kg]			
	Birdie® EVO	Birdie® EVO COMPACT	Birdie® EVO PLUS / XPLUS
Peso totale senza bilancino	40	31	41
Peso dell'albero, con batteria inclusa e senza bilancino	19	14	19
Peso della sezione delle gambe manuale	21	17	n/d
Peso della sezione delle gambe elettrica	21	n/d	22

Pesi dei bilancini [kg]	
Bilancino a 2 punti da 350 mm	1,3
Bilancino a 2 punti da 450 mm	1,4
Bilancino a 2 punti da 550 mm	1,6
Bilancino a 4 punti da 450 mm	2,8
Bilancino a 4 punti da 500 mm	2,9
Bilancino a 4 punti da 550 mm	3,0

### 11.3 Impianto elettrico

	Birdie® EVO	Birdie® EVO COMPACT	Birdie® EVO PLUS / XPLUS
Tensione in uscita	24 V c.c., max. 250 VA		
Tensione di alimentazione	100 - 240 V c.a., 50/60 Hz		
Corrente di ingresso massima	400 mA (CBJ1, CBJ2 e CBJ Care) / 280 mA (CBJ Home)	400 mA (CBJ2) / 280 mA (CBJ Home)	400 mA (CBJ1 e CBJ Care)
Classe di protezione (dispositivo completo)	IPX4*		
Classe di isolamento	Apparecchiatura di Classe II		
Parte applicata di tipo B	Parte applicata conforme ai requisiti specificati per la protezione contro le scosse elettriche in conformità alla norma IEC60601-1.		

	Birdie® EVO	Birdie® EVO COMPACT	Birdie® EVO PLUS / XPLUS
Livello sonoro	45-50 dB (A)		
Capacità operativa	40 sollevamenti completi (con carica della batteria compresa tra 100% e 50%)		
Intermittenza (funzionamento periodico del motore)	10%, max. 2 minuti/18 minuti		
Specifiche della batteria	2 da 12 V / 2,9 Ah		
Tipo di batteria	Piombo-acido (esente da manutenzione, sigillata)		
Abbassamento di emergenza manuale	Sì (alla base dell'attuatore)	Opzionale (alla sommità dell'attuatore)	Sì (alla base dell'attuatore)
Abbassamento / sollevamento di emergenza elettrico	Sì / Sì (CBJ1 e CBJ Care) Sì / No (CBJ2 e CBJ Home)	Sì / No (CBJ2 e CBJ Home)	Sì / Sì (CBJ1 e CBJ Care)

\*IPx4 - Il sistema è protetto dagli schizzi d'acqua provenienti da qualsiasi direzione.

## 11.4 Condizioni ambientali

	Conservazione e trasporto	Funzionamento
Temperatura	Da -10 °C a +50 °C	Da +5 °C a +40 °C
Umidità relativa	Dal 20% al 90% a 30 °C, non condensante	
Pressione atmosferica	Da 800 hPa a 1060 hPa	



Attendere che il prodotto raggiunga la temperatura di esercizio prima di utilizzarlo:

- I tempi di riscaldamento dalla temperatura minima di stoccaggio potrebbero superare i 30 minuti.
- I tempi di raffreddamento dalla temperatura massima di stoccaggio potrebbero superare i 5 minuti.

## 11.5 Materiali

Componente	Materiale
Base, gambe, albero e braccio	Acciaio verniciato a polvere
Bilancino	Acciaio verniciato a polvere e TPU

Componente	Materiale
Alloggiamento dell'attuatore, pulsantiera, protezione dell'albero, ruote orientabili e altre parti in plastica	Materiale conforme al contrassegno (PA, PP, PE)
Connettore del braccio, dadi e bulloni	Acciaio zincato

Tutti i componenti del prodotto sono resistenti alla corrosione o anti-corrosione.

## 11.6 Forze di esercizio dei controlli

Controllo	Forza di esercizio
Pulsanti sulla centralina	4 N
Pulsanti sulla pulsantiera	4 N
Pedale con ruote orientabili da 100 mm*	290 N
Leva per il meccanismo di apertura della base con ruote orientabili da 100 mm	45 N
Leva per il meccanismo di apertura della base con ruote orientabili da 75 mm	50 N

\* Se dotato di ruote orientabili da 75 mm, è obbligatoria la presenza di una leva per il meccanismo di apertura della base.

## 12 Compatibilità elettromagnetica (EMC)

### 12.1 Informazioni generali sulla compatibilità elettromagnetica (EMC)

Le apparecchiature elettromedicali devono essere installate e utilizzate conformemente alle informazioni sulla compatibilità elettromagnetica contenute nel presente manuale.

Questo prodotto è stato collaudato ed è risultato conforme ai limiti di compatibilità elettromagnetica specificati dalla norma IEC/EN 60601-1-2 per le apparecchiature di classe B.

Le apparecchiature di comunicazione RF portatili e mobili possono influenzare il funzionamento di questo prodotto.

Altri dispositivi possono subire interferenze anche dai bassi livelli di emissioni elettromagnetiche consentiti dalla norma di cui sopra. Per determinare se l'interferenza è causata dalle emissioni di questo prodotto, azionarlo e arrestarlo. Se cessa l'interferenza con il funzionamento degli altri dispositivi, è questo prodotto a causare tale interferenza. In questi rari casi, l'interferenza può essere ridotta o corretta nel modo seguente:

- Riposizionare o spostare i dispositivi aumentando la distanza tra essi.

### 12.2 Emissioni elettromagnetiche

#### Linee guida e dichiarazione del produttore

Questo prodotto è inteso per un utilizzo in un ambiente elettromagnetico di seguito specificato. Il cliente o l'utilizzatore di questo prodotto deve assicurarsi che venga usato in un ambiente di tal tipo.


Test di emissioni	Conformità	Ambiente elettromagnetico - guida
Emissioni RF CISPR 11	Gruppo I	Questo prodotto utilizza energia RF solo per il suo funzionamento interno. Pertanto, le sue emissioni RF sono molto basse e non tali da causare interferenze nelle apparecchiature elettroniche vicine.
Emissioni RF CISPR 11	Classe B	Questo prodotto è idoneo all'uso in qualsiasi struttura, comprese quelle domiciliari e quelle collegate direttamente alla rete di alimentazione elettrica pubblica a bassa tensione che serve gli edifici ad uso civile.
Emissioni armoniche IEC 61000-3-2	Classe A	
Oscillazioni di tensione / emissioni di sfarfallamento (flicker) IEC 61000-3-3	Conforme	

### 12.3 Immunità elettromagnetica

#### Linee guida e dichiarazione del produttore

Questo prodotto è inteso per un utilizzo in un ambiente elettromagnetico di seguito specificato. Il cliente o l'utilizzatore di questo prodotto deve assicurarsi che venga usato in un ambiente di tal tipo.

Test di immunità	Test / Livello di conformità	Ambiente elettromagnetico - guida
Scariche elettrostatiche (ESD) IEC 61000-4-2	± 8 kV contatto ± 2 kV, ± 4 kV, ± 8 kV, ± 15 kV aria	I pavimenti devono essere in legno, cemento o piastrelle di ceramica. Se i pavimenti sono ricoperti da materiale sintetico, l'umidità relativa deve essere di almeno il 30%.
Transitorio elettrostatico / treni di impulsi (burst) IEC 61000-4-4	± 2 kV per linee di alimentazione elettrica; 100 kHz di frequenza di ripetizione  ± 1 kV per linee di ingresso / uscita; 100 kHz di frequenza di ripetizione	La qualità della connessione elettrica deve essere quella di un tipico ambiente commerciale od ospedaliero.

Test di immunità	Test / Livello di conformità	Ambiente elettromagnetico - guida
Sbalzi di tensione IEC 61000-4-5	± 1 kV da linea a linea ± 2 kV da linea a terra	La qualità della connessione elettrica deve essere quella di un tipico ambiente commerciale od ospedaliero.
Vuoti di tensione, brevi interruzioni e variazioni di tensione sulle linee di alimentazione elettrica in ingresso IEC 61000-4-11	< 0% $U_T$ per 0,5 cicli con incrementi di 45 ° 0% $U_T$ per 1 ciclo 70% $U_T$ per 25 / 30 cicli < 5% $U_T$ per 250 / 300 cicli	La qualità della connessione elettrica deve essere quella di un tipico ambiente commerciale od ospedaliero. Se l'utilizzatore di questo prodotto avesse bisogno di un funzionamento continuo durante le interruzioni di corrente elettrica, si consiglia di alimentare il prodotto tramite un gruppo di continuità o una batteria.  $U_T$ è la tensione di alimentazione c.a. prima dell'esecuzione del livello di prova.
Campi magnetici alla frequenza di rete (50/60 Hz) IEC 61000-4-8	30 A/m	I campi magnetici della frequenza di rete devono essere a livelli caratteristici di un tipico ambiente commerciale od ospedaliero.
RF condotta IEC 61000-4-6	3 V da 150 kHz a 80 Mhz	L'intensità di campo dei trasmettitori fissi, come stazioni base per radio, telefoni (cellulari/cordless) e radiocomunicazioni sul campo (land mobile radio), radioamatori, trasmissioni radio AM ed FM e trasmissioni TV non può essere quantificata in modo teorico a priori e con precisione. Per valutare l'ambiente elettromagnetico dovuto ai trasmettitori RF fissi va presa in considerazione la necessità di un'indagine elettromagnetica in sito. Se l'intensità di campo misurata nella zona in cui viene usato tale prodotto supera il suddetto livello di conformità RF applicabile, controllare che il prodotto funzioni normalmente. In caso di funzionamento anomalo, saranno necessarie misure aggiuntive, come un nuovo orientamento o una risistemazione di questo prodotto.
RF irradiata IEC 61000-4-3	6 V in bande ISM e per radioamatori	Possono verificarsi interferenze nelle vicinanze delle apparecchiature contrassegnate dal seguente simbolo: 
	10 V/m da 80 Mhz a 2,7 GHz	Non utilizzare apparecchiature di comunicazione RF portatili e mobili a una distanza inferiore a 30 cm da qualsiasi parte di questo prodotto, compresi i cavi.
	Per le specifiche di test da 385 MHz a 5785 MHz per l'immunità alle apparecchiature di comunicazione RF wireless, fare riferimento alla tabella 9 della norma IEC 60601-1-2:2014.	



Queste indicazioni possono non essere valide in tutte le situazioni. La propagazione elettromagnetica è pregiudicata dall'assorbimento e dalla riflessione di strutture, oggetti e persone.



# Inhoudsopgave

Deze handleiding dient te worden overhandigd aan de gebruiker van het product. Lees deze handleiding VÓÓR u het product gebruikt en bewaar hem voor eventuele raadplegingen in de toekomst.

<b>1 Algemeen</b>	<b>170</b>
1.1 Inleiding	170
1.1.1 Symbolen in deze handleiding	170
1.2 Levensduur	170
1.2.1 Aanvullende informatie	170
1.3 Aansprakelijkheidsbeperking	170
1.4 Garantie-informatie	170
1.5 Naleving	170
1.5.1 Productspecifieke normen	170
<b>2 Veiligheid</b>	<b>171</b>
2.1 Algemene veiligheidsinformatie	171
2.1.1 Klempunten	172
2.2 Veiligheidsinformatie over accessoires	172
2.3 Veiligheidsinformatie over elektromagnetische interferentie	172
2.4 Typeplaatjes en symbolen op het product	173
2.4.1 Locatie van de labels	173
2.4.2 Typeplaatje	173
2.4.3 Overige symbolen	173
<b>3 Productoverzicht</b>	<b>175</b>
3.1 Beoogd gebruik	175
3.2 Hoofdonderdelen van de lift	175
3.3 Accessoires	175
<b>4 Montage</b>	<b>176</b>
4.1 Algemene veiligheidsinformatie	176
4.2 Omvang van de levering	176
4.3 De mast installeren	176
4.3.1 De mast uitklappen	176
4.3.2 De mast op het onderstel monteren	177
4.4 Het tiljuk uitklappen	177
4.5 De actuator op de hefboom installeren	178
4.6 Hendel voor handmatig uitklappen van poten installeren	178
4.7 Het servicelampje resetten	178
<b>5 Gebruik</b>	<b>180</b>
5.1 Algemene veiligheidsinformatie	180
5.2 De achterste zwenkwielen vergrendelen/ontgrendelen	180
5.3 Een elektrische lift omhoog of omlaag brengen	180
5.4 De poten inklappen en uitklappen	180
5.4.1 De elektrische poten in- en uitklappen	180
5.4.2 De poten handmatig in- en uitklappen	180
5.5 Het tiljuk vervangen	180
5.6 Functies voor noodgevallen	181
5.6.1 Een noodstop uitvoeren	181
5.6.2 De verlagingsfunctie activeren in een noodgeval (CBJ Home-bedieningseenheid)	181
5.6.3 De verlagingsfunctie activeren in een noodgeval (bedieningseenheid van CBJ Care, CBJ1 en CBJ2)	181
5.6.4 De optilfunctie activeren in een noodgeval (bedieningseenheid van CBJ Care en CBJ1)	181
5.6.5 Het verlagingsmechanisme activeren in een noodgeval	181
5.7 De accu opladen	182
5.7.1 CBJ Home-bedieningseenheid	182
5.7.2 CBJ Care-, CBJ1-, CBJ2-bedieningseenheid	182
5.7.3 Optionele handbediening	183
5.7.4 Optionele acculader	183
<b>6 Verplaatsen van een patiënt</b>	<b>185</b>
6.1 Algemene veiligheidsinformatie	185
6.2 Het omhoog tillen voorbereiden	185
6.2.1 De draagband aan de patiëntenlift bevestigen	186
6.3 De patiënt vanaf een bed verplaatsen	187
6.4 Een patiënt naar een bed verplaatsen	188
6.5 Een patiënt overplaatsen vanuit een rolstoel	188
6.6 Een patiënt in een rolstoel zetten	189
6.7 Een patiënt van en naar een toiletstoel verplaatsen	189
6.8 Een patiënt van de vloer omhoog tillen	190
<b>7 Transport en opslag</b>	<b>192</b>
7.1 Algemene informatie	192
7.2 De mast losmaken van het onderstel	192
7.3 De mast inklappen	192
7.4 Mastverlengstuk voor rechtop zetten van de lift	192
<b>8 Onderhoud</b>	<b>193</b>
8.1 Algemene informatie over onderhoud	193
8.2 Dagelijkse controles	193
8.3 Reiniging en desinfectie	193
8.3.1 Algemene veiligheidsinformatie	193
8.3.2 Reinigingsintervallen	193
8.3.3 Reinigingsinstructies	194
8.3.4 Instructies voor desinfecteren	194
8.4 Periodiek onderhoud	194
<b>9 Na gebruik</b>	<b>195</b>
9.1 Afvoeren	195
9.2 Geschikt maken voor hergebruik	195
<b>10 Problemen oplossen</b>	<b>196</b>
10.1 Defecten en mogelijke oplossingen identificeren	196
<b>11 Technische Specificaties</b>	<b>197</b>
11.1 Maximale veilige belasting	197
11.2 Afmetingen en gewichten	197
11.3 Elektrisch systeem	198
11.4 Voorwaarden voor de gebruiksomgeving	199
11.5 Materialen	199
11.6 Duwkracht op bedieningselementen	199
<b>12 Elektromagnetische compatibiliteit (EMC)</b>	<b>200</b>
12.1 Algemene informatie over EMC	200
12.2 Elektromagnetische straling	200
12.3 Elektromagnetische immuniteit	200

# 1 Algemeen

## 1.1 Inleiding

Deze gebruikershandleiding bevat belangrijke informatie over het gebruik van dit product. Lees de gebruikershandleiding aandachtig door en volg de veiligheidsinstructies, zodat u zeker weet dat u het product veilig gebruikt.

Omdat dit document betrekking heeft op alle beschikbare modellen (op de datum waarop dit document is gedrukt), zijn mogelijk niet alle delen relevant voor uw product. Indien niet expliciet anders wordt vermeld, verwijst elk hoofdstuk in dit document naar alle modellen van het product.

De modellen en uitvoeringen die in uw land beschikbaar zijn, zijn te vinden in de verkoopdocumenten van het desbetreffende land.

Invacare behoudt zich het recht voor om productspecificaties zonder voorafgaande kennisgeving te wijzigen.

Controleer voordat u dit document leest of u de juiste versie hebt. U vindt een pdf-bestand met de laatste versie op de Invacare-website.

Als u de lettergrootte in de gedrukte versie van het document moeilijk kunt lezen, kunt u een pdf-versie downloaden van de website. In de pdf-versie kunt u de letters op het scherm aanpassen tot een grootte die u prettiger vindt.

Neem voor meer informatie over het product, bijvoorbeeld meldingen over productveiligheid en teruggeroepen producten, contact op met uw Invacare-vertegenwoordiger. Zie de adressen aan het einde van dit document.

In geval zich een ernstig incident met het product voordoet, dient u de fabrikant en de bevoegde instantie in uw land daarvan op de hoogte te brengen.

### 1.1.1 Symbolen in deze handleiding

In deze handleiding worden waarschuwingen aangeduid met symbolen. De waarschuwingssymbolen worden vergezeld van een kop die de ernst van het gevaar aangeeft.



#### WAARSCHUWING

Duidt op een gevaarlijke situatie die kan leiden tot ernstig letsel of overlijden als de situatie niet wordt vermeden.



#### VOORZICHTIG

Duidt op een gevaarlijke situatie die kan leiden tot licht of klein letsel als de situatie niet wordt vermeden.



#### BELANGRIJK

Duidt op een gevaarlijke situatie die kan leiden tot materiële schade als de situatie niet wordt vermeden.



#### Tips en adviezen

Hier worden nuttige tips, adviezen en informatie voor efficiënt, probleemloos gebruik gegeven.

## 1.2 Levensduur

De verwachte levensduur van dit product is acht jaar bij dagelijks gebruik en in overeenstemming met de

veiligheidsinstructies, onderhoudstermijnen en bij correct gebruik, zoals aangegeven in deze handleiding. De effectieve levensduur kan variëren afhankelijk van de frequentie en intensiteit van het gebruik.

### 1.2.1 Aanvullende informatie

De verwachte levensduur wordt gebaseerd op een geschat gemiddelde van 4 liftcycli per dag.

## 1.3 Aansprakelijkheidsbeperking

Invacare aanvaardt geen aansprakelijkheid voor schade veroorzaakt door:

- Niet in acht nemen van de gebruikershandleiding
- Verkeerd gebruik
- Normale slijtage
- Verkeerde montage of afstelling door de koper of een derde
- Technische aanpassingen
- Niet-geautoriseerde wijzigingen en/of gebruik van ongeschikte reserveonderdelen

## 1.4 Garantie-informatie

Wij bieden voor dit product een fabrieksgarantie in overeenstemming met onze Algemene Voorwaarden in de respectievelijke landen.

Garantieclaims kunnen alleen worden ingediend via de dealer bij wie u het product hebt gekocht.

## 1.5 Naleving

Kwaliteit is cruciaal bij onze bedrijfsactiviteiten, waarbij wordt gewerkt binnen de normen van ISO 13485.

Dit product is voorzien van het CE-merkteken conform Verordening 2017/745 betreffende medische hulpmiddelen, klasse 1. De introductiedatum van dit product staat vermeld in de CE-conformiteitsverklaring.

Wij werken er continu aan om ervoor te zorgen dat het effect van het bedrijf op het milieu, zowel lokaal als internationaal, zo veel mogelijk wordt beperkt.

Wij maken uitsluitend gebruik van materialen en onderdelen die voldoen aan de REACH-richtlijnen.

Wij leven de huidige milieuwetgevingen AEEA en RoHS na.

### 1.5.1 Productspecifieke normen

Het product is getest en voldoet aan de norm ISO 10535 (Tilliften voor het verplaatsen van gehandicapten) en alle bijbehorende normen.

Neem voor meer informatie over de lokale normen en voorschriften contact op met uw lokale Invacare-vertegenwoordiger. Zie de adressen aan het einde van dit document.

## 2 Veiligheid

### 2.1 Algemene veiligheidsinformatie

Dit deel van de handleiding bevat algemene veiligheidsinformatie over uw product. Raadpleeg voor specifieke veiligheidsinformatie het betreffende deel van de handleiding en de procedures in dat deel.



#### **WAARSCHUWING!**

##### **Risico op letsel of beschadiging**

- Gebruik dit product of de beschikbare optionele apparatuur alleen als u deze instructies en het eventuele aanvullende instructiemateriaal volledig hebt doorgelezen en begrepen, met inbegrip van de gebruikershandleidingen of instructiebladen die bij dit product of de optionele apparatuur worden verstrekt. Als u de waarschuwingen, aandachtspunten of instructies niet begrijpt, dient u contact op te nemen met een zorgverlener, een Invacare-leverancier of een technisch medewerker voordat u dit product gaat gebruiken.
- Voer geen niet-geautoriseerde wijzigingen of aanpassingen uit op het product.



#### **WAARSCHUWING!**

##### **De maximale veilige belasting mag niet worden overschreden.**

- De maximale veilige belasting van dit product en de gebruikte accessoires, zoals draagbanden en tiljukken, mag niet worden overschreden. Zie de documentatie of het etiket voor de vermelde maximale veilige belasting.
- Het onderdeel met de laagste maximale belastbaarheid is bepalend voor de maximale veilige belasting van het gehele systeem.



#### **WAARSCHUWING!**

##### **Risico op letsel of beschadiging**

- Verkeerd gebruik van dit product kan leiden tot schade of lichamelijk letsel.
- Verplaats een patiënt nooit zonder toestemming van de professionele zorgverlener van de patiënt.
  - Lees de instructies in deze gebruikershandleiding door en kijk eerst hoe de procedures voor het overplaatsen van patiënten worden uitgevoerd door getraind personeel. Oefen vervolgens zelf met het overplaatsen onder toezicht en met een geschikte persoon die de rol van patiënt speelt.
  - Wees bijzonder voorzichtig bij mensen met beperkingen, die niet kunnen helpen terwijl ze worden overgeplaatst.
  - Gebruik de patiëntenlift niet als vervoermiddel. De patiëntenlift is bedoeld voor het verplaatsen van een persoon van het ene rustoppervlak naar het andere.



#### **WAARSCHUWING!**

##### **Risico op letsel of beschadiging**

- Verkeerd gebruik van de kabels kan elektrische schokken of defecten aan het product veroorzaken.
- Zorg ervoor dat u de kabels van het product niet knikt, afsnijdt of beschadigt.
  - Zorg ervoor dat er tijdens het gebruik van het product geen kabels bekneld of beschadigd raken.
  - Zorg ervoor dat de bedrading en aansluitingen goed zijn aangelegd.
  - Gebruik geen apparatuur als u daartoe niet bevoegd bent.



#### **WAARSCHUWING!**

##### **Risico op letsel of beschadiging**

- Door te veel vocht kan het product beschadigd raken en kunnen er elektrische schokken optreden.
- De patiëntenlift kan in een badkamer worden gebruikt, maar mag NIET onder de douche worden gebruikt. De patiënt moet worden verplaatst naar een douchestoel of een ander hulpmiddel gebruiken voor het douchen.
  - Als de patiëntenlift wordt gebruikt in een vochtige omgeving, moet deze na gebruik worden afgedroogd.
  - Sluit het netsnoer niet aan en koppel het netsnoer niet los in een vochtige omgeving of met natte handen.
  - Bewaar het product niet in een vochtige ruimte of onder vochtige omstandigheden.
  - Inspecteer regelmatig alle onderdelen van het product op tekenen van corrosie of schade. Vervang onderdelen met corrosiesporen of schade.
  - Raadpleeg *11.4 Voorwaarden voor de gebruiksomgeving, pagina 199*



#### **WAARSCHUWING!**

##### **Risico op letsel of beschadiging**

- Ontstekingsbronnen kunnen brand of vuur veroorzaken.
- Tijdens het verplaatsen van een patiënt moet een veilige afstand worden bewaard tussen de patiëntenlift en mogelijke ontstekingsbronnen (zoals een kachel, fornuis of open haard).
  - Het is voor de patiënt en begeleiders verboden om tijdens het verplaatsen te roken.
  - De draagband mag niet boven of op een warmtebron worden gelegd (zoals een kachel, fornuis of open haard).



#### **WAARSCHUWING!**

##### **Risico op letsel of beschadiging**

- Letsel of beschadiging tijdens het gebruik van het product voorkomen:
- Als het product wordt gebruikt in de buurt van kinderen of huisdieren, moeten zij nauwlettend in de gaten worden gehouden.
  - Laat kinderen niet met het product spelen.

**LET OP!****Risico op letsel of beschadiging**

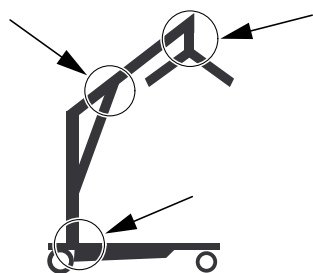
Het product kan heet worden bij blootstelling aan zonlicht of een andere warmtebron.

- Stel het product niet gedurende langere periodes bloot aan direct zonlicht.
- Houd het product uit de buurt van warmtebronnen.

**BELANGRIJK!**

Het product kan defect raken als zich te veel pluus, stof of vuil op het product heeft opgebouwd.

- Houd het product schoon.

**2.1.1 Klempunten****WAARSCHUWING!****Gevaar voor lichamelijk letsel**

Er zijn op de lift verschillende bewegende onderdelen aanwezig waartussen uw vingers bekneld kunnen raken.

- Houd handen en vingers altijd uit de buurt van bewegende onderdelen.

**2.2 Veiligheidsinformatie over accessoires****LET OP!****Kans op lichamelijk letsel**

Niet-originele of onjuiste accessoires kunnen van invloed zijn op de werking en veiligheid van dit product.

- Omdat er verschillen zijn per regio, kunt u het beste de Invacare-website of -catalogus voor uw regio raadplegen voor de beschikbare accessoires. U kunt ook contact opnemen met uw Invacare-leverancier.
- Raadpleeg de handleiding bij de accessoires voor meer informatie en instructies.
- Gebruik alleen originele accessoires voor het product dat u gebruikt. In bepaalde omstandigheden is het gebruik van een draagband van een andere fabrikant echter wel mogelijk. Zie de aanvullende informatie in deze paragraaf.
- Er moet altijd een risicobeoordeling worden uitgevoerd door een professional voordat de liftapparatuur wordt verstrekt. Het is belangrijk om bij de risicobeoordeling rekening te houden met het gebruiksdoel, de persoon, de belasting, de omgeving en het materiaal.
- Kies het ontwerp en het formaat van de draagband altijd op basis van het gewicht, de omvang en het fysieke vermogen van de patiënt en houd daarbij rekening met de wijze waarop de verplaatsing zal plaatsvinden.

**LET OP!****Compatibiliteit van draagbanden met het bevestigingssysteem**

Invacare gebruikt een normaal bevestigingssysteem met haken en lussen. De lussen aan de draagband worden bevestigd aan de haken op het tiljuk (type 'kleerhanger'). Daarom kunnen ook geschikte draagbanden van andere fabrikanten met deze lift worden gebruikt.

- Gebruik uitsluitend draagbanden met lusbevestigingen die geschikt zijn voor een tiljuk (type 'kleerhanger') met haken.
- Gebruik geen draagbanden die zijn ontworpen voor 'systemen met sleutelgat- of klembevestiging' of 'systemen met kantelframe'.

**2.3 Veiligheidsinformatie over elektromagnetische interferentie****WAARSCHUWING!****Defecten mogelijk als gevolg van elektromagnetische interferentie**

Er kan elektromagnetische interferentie optreden tussen dit product en andere elektrische apparatuur. De elektrische afstel functies van dit product kunnen hierdoor verstoord worden. U kunt elektromagnetische interferentie op de volgende manieren voorkomen of verminderen:

- Gebruik alleen originele accessoires en reserve-onderdelen. Zo neemt de elektromagnetische emissie niet toe en neemt de elektromagnetische immuniteit van dit product niet af.
- Houd draagbare RF-communicatieapparatuur op ten minste 30 cm van de onderdelen van dit product (inclusief kabels).
- Gebruik dit product niet in de buurt van actieve hoogfrequente chirurgische apparatuur of een voor RF-straling afgeschermd MRI-ruimte, waar elektromagnetische storingen in hoge mate aanwezig zijn.
- Als er sprake is van storingen, vergroot u de afstand tussen dit product en de overige apparatuur of schakelt u die apparatuur uit.
- Raadpleeg de gedetailleerde informatie en volg de richtlijnen van hoofdstuk 12 *Elektromagnetische compatibiliteit (EMC)*, pagina 200

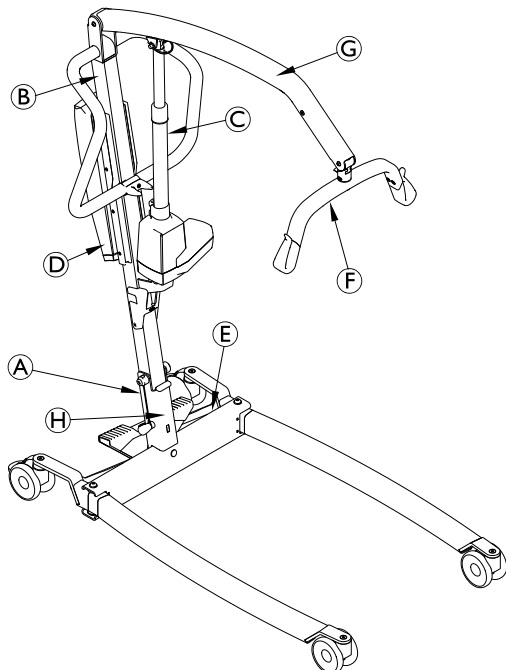
**WAARSCHUWING!****Risico op storing**

Elektromagnetische interferentie kan een onjuiste werking tot gevolg hebben.

- Gebruik dit product niet naast of gestapeld met andere elektrische apparatuur. Als het toch nodig is dit product op dergelijke wijze te gebruiken, moet u de werking van het product en de andere apparatuur goed in de gaten houden.

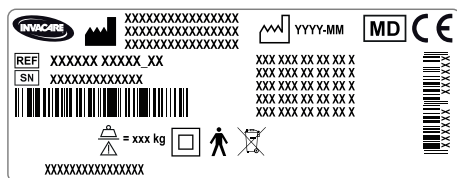
## 2.4 Typeplaatjes en symbolen op het product

### 2.4.1 Locatie van de labels



(A)	Typeplaatje
(B)	Label 'lees de gebruikershandleiding'
(C)	Waarschuwinglabel op de actuator
(D)	Label met ongeldigheid garantie – alleen op de bedieningseenheid van CBJ1 en CBJ2
(E)	Label met voorwaarden voor de gebruiksomgeving en het maximale gewicht
(F)	Veilige belasting van het tiljuk
(G)	Naam en veilige belasting van de patiëntenlift – tekst afhankelijk van het model
(H)	Veilige belasting van de patiëntenlift – tekst afhankelijk van het model (alleen voor vaste mast)

### 2.4.2 Typeplaatje



Het typeplaatje bevat de belangrijkste productinformatie, inclusief technische gegevens.

#### Symbolen

<b>SN</b>	Serienummer
<b>REF</b>	Referentienummer

	Fabrikant
	Fabricagedatum
	Veilig te belasten tot maximaal
	Klasse II-apparaat
	Type B-apparaat
	Conform AEEA
	Conformiteit met Europese normen
	Medisch hulpmiddel



Afkortingen voor technische gegevens:

- lin = ingangsstroom
- Uin = ingangsspanning
- Int. = onderbrekingen
- AC = wisselstroom
- Max = maximum
- min = minuten

Zie 11 Technische Specificaties, pagina 197 voor meer informatie over de technische gegevens.

### 2.4.3 Overige symbolen

	Zie de gebruikershandleiding
	Totale gewicht van het product met de maximale veilig toe te passen belasting
	Gebruik de actuator niet als duwstang
	Niet verwijderen Als dit wordt verwijderd of verbroken, vervalt de garantie
	Minimale/maximale temperatuur
	Minimale/maximale luchtvochtigheid
	Minimale/maximale atmosferische druk

	Transport- en opslagvoorschriften
	Voorwaarden voor gebruik

## 3 Productoverzicht

### 3.1 Beoogd gebruik

De mobiele patiëntenlift is een apparaat dat op een accu werkt en is bedoeld voor het verplaatsen en positioneren van een persoon van het ene rustoppervlak naar het andere. Bijvoorbeeld:

- Van het bed naar een rolstoel of omgekeerd
- Van en naar het toilet
- Een patiënt vanaf de vloer omhoog tillen of laten zakken

De maximale veilige belasting staat vermeld in *11 Technische Specificaties, pagina 197*.

De mobiele patiëntenlift is ontwikkeld voor gebruik binnenshuis op een vlak oppervlak, in ziekenhuizen, verpleeginstellingen en thuis. De mobiele patiëntenlift kan worden gedraaid (om zijn as) voor het verplaatsen van patiënten in kleine ruimten.

De beoogde bediener van dit product is een zorgprofessional of een privépersoon die voldoende training heeft gehad.

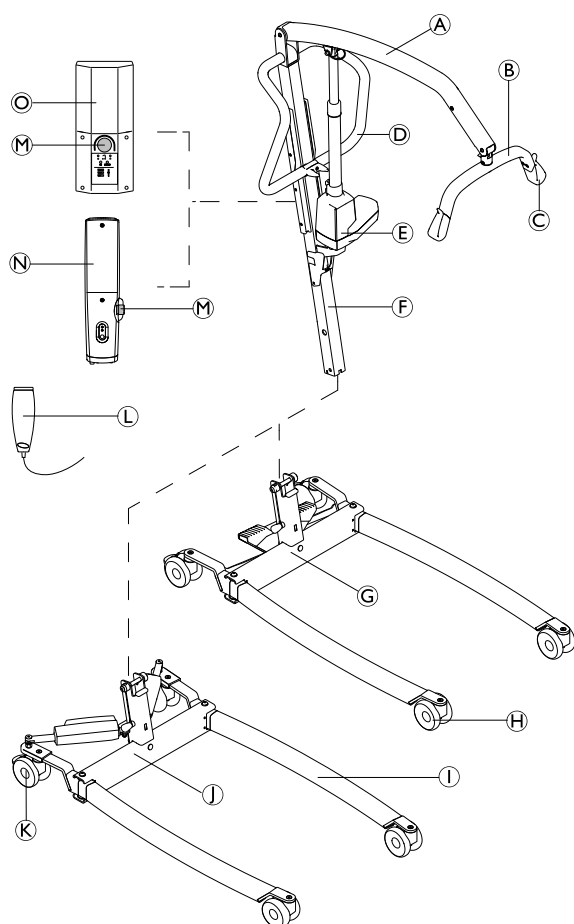
### Indicaties

De mobiele patiëntenlift is geïndiceerd voor patiënten die deels of volledig beperkt zijn in hun bewegingen en die niet kunnen worden verplaatst met behulp van andere typen liften of verplaatsingshulpmiddelen.

Alle positiewijzigingen kunnen worden uitgevoerd zonder hulp van de patiënt.


Voor dit product zijn geen contra-indicaties bekend.

### 3.2 Hoofdonderdelen van de lift



Ⓐ	Hefboom
Ⓑ	Tiljuk – met of zonder SMARTLOCK™
Ⓒ	Haak voor draagband
Ⓓ	Duwstang
Ⓔ	Liftactuator
Ⓕ	Mast – inklapbaar of vast
Ⓖ	Onderstel met voetpedaal voor handmatig uitklappen van poten
Ⓗ	Voorste zwenkwielen
Ⓘ	Poot
Ⓙ	Onderstel met actuatoren voor elektrisch uitklappen van poten – met of zonder actuatorbehuizing
Ⓚ	Achterste zwenkwielen met rem
Ⓛ	Handbediening
Ⓜ	Noodstop
Ⓝ	CBJ Home-bedieningseenheid met geïntegreerde accu
Ⓞ	CBJ Care-, CBJ1- of CBJ2-bedieningseenheid met afneembare accu

### 3.3 Accessoires

 Omdat er verschillen zijn per regio, kunt u het beste de Invacare-website of -catalogus voor uw regio raadplegen voor informatie over de beschikbare accessoires. U kunt ook contact opnemen met uw Invacare-leverancier.

- 4-punts tiljuk (type 'kleeerhanger'), 450, 500 of 550 mm breed
- 2-punts tiljuk (type 'kleeerhanger'), 350, 450 of 550 mm breed
- Weegschaal moet met het tiljuk worden gemonteerd
- Hendel voor handmatig uitklappen van poten
- Muuroplader voor een afneembare accu
- Extra accu
- Beschermende kappen voor de poten
- Padding voor tiljuk

Draagbandmodellen met lusbevestigingen, geschikt voor tiljukken (type 'kleeerhanger') met haken:

- Draagbanden voor ondersteuning van het hele lichaam - zonder hoofdsteen
- Draagbanden voor ondersteuning van het hele lichaam - met hoofdsteen
- Draagbanden voor aankleden/toiletbezoek - met of zonder hoofdsteen
- Draagbanden voor geamputeerden

## 4 Montage

### 4.1 Algemene veiligheidsinformatie



#### WAARSCHUWING!

- Controleer vóór gebruik alle onderdelen op transportschade.
- Gebruik het apparaat niet als dit beschadigd is. Neem contact op met uw Invacare-leverancier voor verdere instructies.



#### WAARSCHUWING!

##### Gevaar voor lichamelijk letsel

- Een onjuiste montage kan tot letsel of schade leiden.
- Gebruik alleen onderdelen van Invacare voor de montage van deze patiëntenlift.
  - Controleer na elke montage of alle bevestigingen goed zijn vastgedraaid en of alle onderdelen correct functioneren.
  - Draai de schroeven of onderdelen niet te strak aan. Hierdoor kunnen de montagebeugels beschadigd raken.

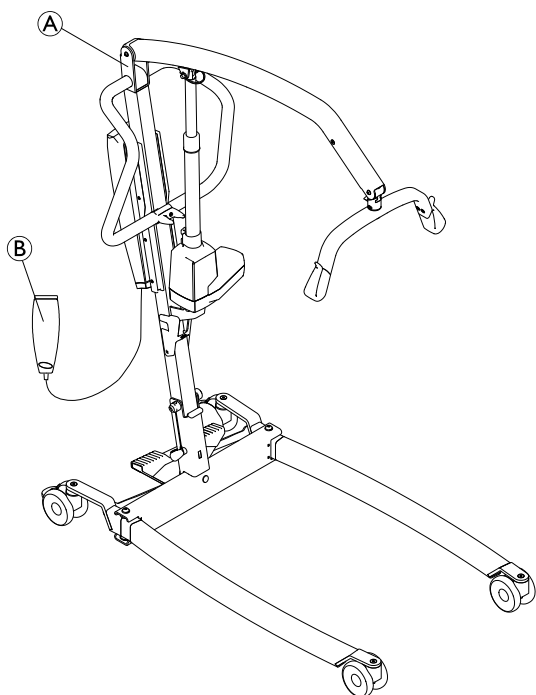


Er is geen gereedschap nodig om de patiëntenlift te monteren.

Neem bij problemen tijdens de montage contact op met uw Invacare-leverancier.

### 4.2 Omvang van de levering

Welke onderdelen de verpakking bevat, hangt af van de modellen en uitvoeringen die in uw land beschikbaar zijn. Zie 1.1 Inleiding, pagina 170



Ⓐ	Lift – inclusief onderstel, mast, hefboom, tiljuk, bedieningseenheid en actuatoren <ul style="list-style-type: none"> <li>• Met inklapbare mast (1 stuk)</li> <li>• Met vaste mast (2 stuks) – onderstel als afzonderlijk onderdeel</li> </ul>
Ⓑ	Handbediening (1 stuk)
	Voedingskabel (1 stuk)
	Gebruiksaanwijzing (1 stuk)
	Accu (1 stuk)* – alleen CBJ Care, CBJ1 en CBJ2
	Hendel voor handmatig uitklappen van poten (1 stuk)*
	Draagband (1 stuk)*

\* Afhankelijk van model en/of uitvoering



Als de lift wordt geleverd met een draagband, dient u de gebruiksaanwijzing van de draagband te raadplegen voor instructies voor het gebruik, de toepassing, het onderhoud en het wassen van de draagband.

### 4.3 De mast installeren

#### 4.3.1 De mast uitklappen

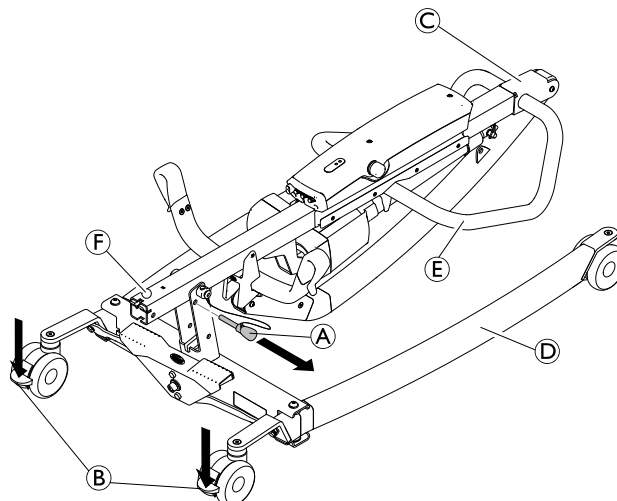
(alleen voor de inklapbare mast)



#### WAARSCHUWING!

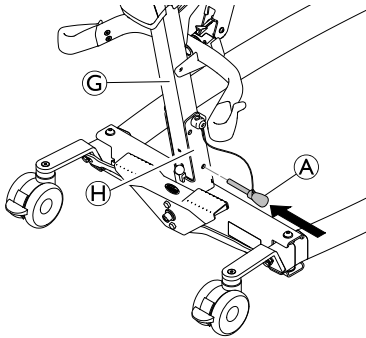
- De mast kan worden ingeklapt voor opslag of transport. De mast MOET bij het inklappen altijd goed aan het onderstel worden bevestigd.
- Controleer vóór de montage alle onderdelen op zichtbare defecten en schade. Als het product beschadigd is, mag dit niet worden gebruikt en dient u contact op te nemen met uw Invacare-leverancier.
- De noodstop moet vóór montage of demontage worden geactiveerd.
- Wees voorzichtig bij het tillen van onderdelen tijdens de montage. Sommige onderdelen zijn zwaar. Neem altijd de juiste tilpositie aan.

Uitpakken en monteren moet altijd op de vloer plaatsvinden.





1. Vergrendel beide achterste zwenkwielen ②. Verwijder de vergrendelingspin ①.
2. Zet de mastconstructie ③ rechtop door met één voet op de poot ④ te gaan staan en de duwstang ⑤ omhoog te trekken totdat de veiligheidsvergrendeling ⑥ op zijn plaats vastklikt.
- 3.



Plaats de vergrendelingspin ① terug door de mast ③ en het onderstel ④ heen. Controleer of de vergrendelingspin correct is geplaatst.

### 4.3.2 De mast op het onderstel monteren

(alleen voor de vaste mast)

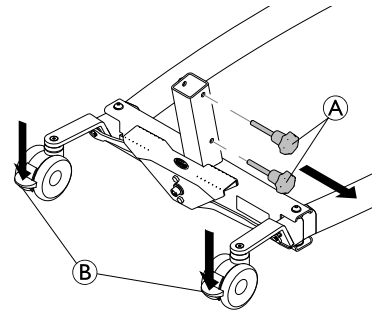


#### WAARSCHUWING!

#### Risico op letsel of beschadiging

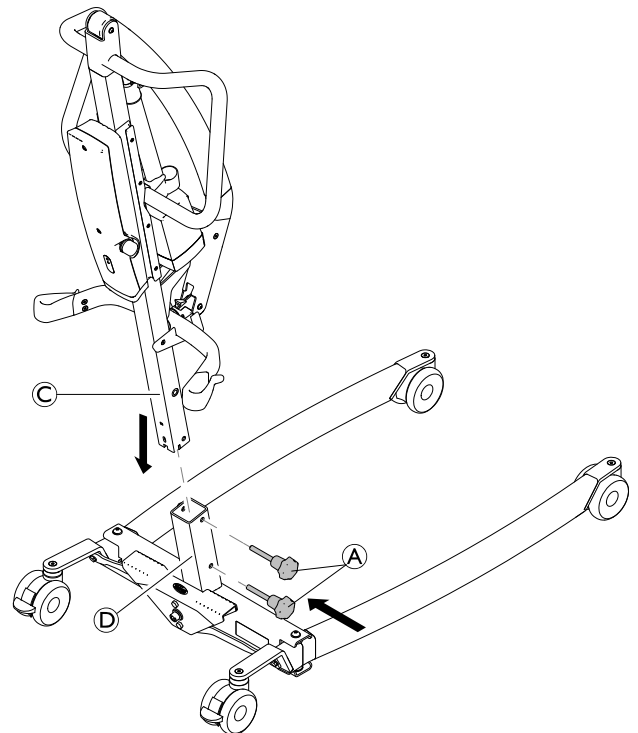
Op de hefboom en het onderstel moet dezelfde waarde staan bij 'Veilig te belasten tot maximaal'.  
– Vergelijk deze aanduidingen op het onderstel en de hefboom altijd met elkaar.

1.



Vergrendel beide achterste zwenkwielen ② en draai de schroeven met de hand linksom ① om ze van het onderstel te verwijderen.

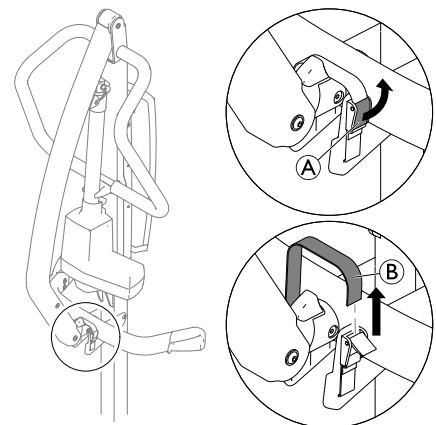
2.



Zorg dat de hefboom naar voren wijst, laat mast ③ in de houder van onderstel ④ zakken en plaats de schroeven ① terug om mast ③ op het onderstel te bevestigen.

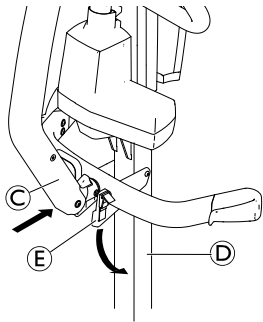
### 4.4 Het tiljuk uitklappen

1.



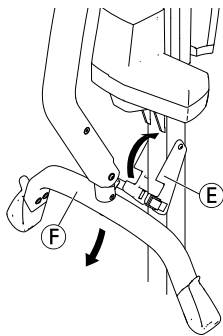
Open sluiting ① en haal bandje ② uit de gesp.

2.



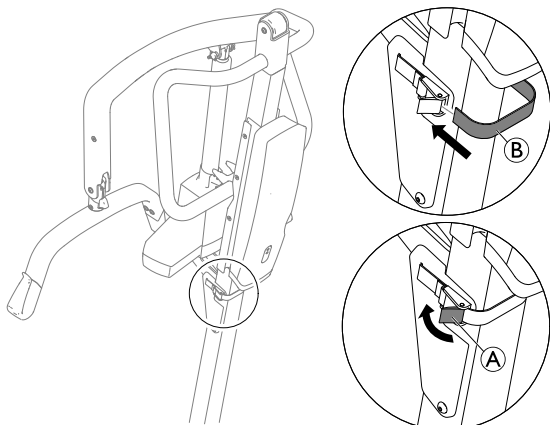
Houd hefboom ③ tegen mast ④ gedrukt en trek tiljuchouder ⑤ naar beneden.

3.



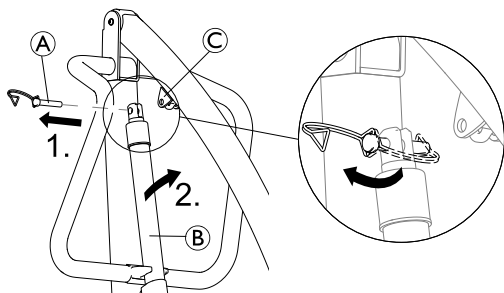
Klap tiljuk ⑥ omlaag en klap tiljukhouder ⑤ omhoog.

4.

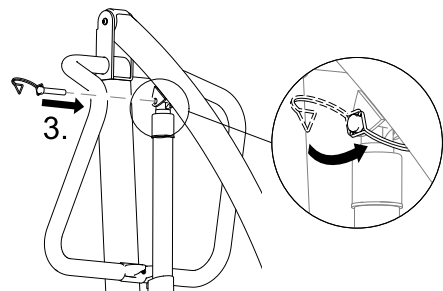


Haal band ⑥ langs de achterkant van de mast door de gesp en maak sluiting ⑦ dicht.

#### 4.5 De actuator op de hefboom installeren



1. Maak de D-clip los en verwijder pin ① uit actuator ②.
2. Verwijder actuator ② uit de beugel op de mast en maak deze vast aan montagebeugel ③ van de hefboom.
- 3.



Breng de gaten op één lijn en plaats pin ① terug. Controleer of de pin volledig is geplaatst en zet de pin vast met de D-clip.

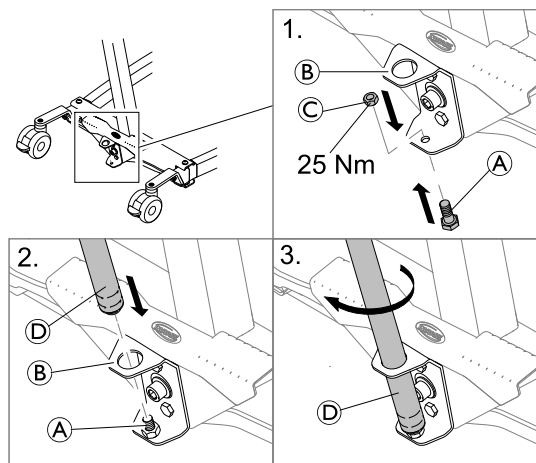
#### ! BELANGRIJK

Voor de hogere belasting van de Birdie® EVO XPLUS is een langere pin nodig.  
– Gebruik de Birdie® EVO XPLUS alleen met de langere pin, te herkennen aan een zwarte D-clip.

#### 4.6 Hendel voor handmatig uitklappen van poten installeren



Dopsleutel van 2 x 13 mm



1. Steek bout ① van onderaf in het onderste gat van beugel ② en zet deze vast met moer ③.
2. Steek het schroefdraaduiteinde van hendel ④ in het bovenste gat van beugel ② op de bevestigde bout ①.
3. Schroef hendel ④ linksom vast op de bout.

#### 4.7 Het servicelampje resetten

(alleen voor de CBJ Care-bedieningseenheid)

#### ! BELANGRIJK!

Als het servicelampje geel knippert tijdens het dagelijkse gebruik of nadat de lift opnieuw in elkaar is gezet, is er onderhoud aan de lift vereist.  
– Neem voor onderhoud contact op met uw Invacare-leverancier.

Het servicelampje de eerste keer resetten:

1. Pak de handbediening.
2. Houd de knoppen OMHOOG en OMLAAG tegelijkertijd gedurende vijf seconden ingedrukt.
3. U hoort een geluid wanneer het servicelampje is gereset.

## 5 Gebruik

### 5.1 Algemene veiligheidsinformatie



#### WAARSCHUWING!

##### Risico op letsel of beschadiging

Raadpleeg de volgende veiligheidsinformatie en -instructies voordat u de lift met een patiënt gebruikt:

- 2 *Veiligheid, pagina 171*
- 6 *Verplaatsen van een patiënt, pagina 185*

### 5.2 De achterste zwenkwielen vergrendelen/ontgrendelen

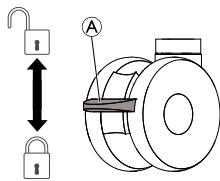


#### WAARSCHUWING!

##### Gevaar voor letsel of beschadiging

De lift kan kantelen waardoor een gevaarlijke situatie ontstaat voor zowel de patiënt als de assistenten.

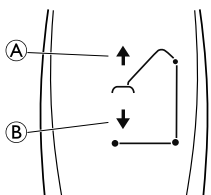
- Invacare raadt aan de vergrendeling van de achterste zwenkwielen niet in te schakelen tijdens het tillen en verplaatsen, zodat de patiëntenlift zichzelf kan stabiliseren als de patiënt in eerste instantie wordt opgetild en wordt verplaatst naar een stoel, bed of ander stilstaand object.
- Invacare raadt aan de vergrendeling van de achterste zwenkwielen van de lift alleen in te schakelen tijdens het positioneren en verwijderen van de draagband rond de patiënt.



- Druk pedaal **A** met uw voet naar beneden om de zwenkwielen te vergrendelen.
- Duw pedaal **A** omhoog met uw voet om de zwenkwielen te ontgrendelen.

### 5.3 Een elektrische lift omhoog of omlaag brengen

Met de handbediening kan de lift omhoog of omlaag worden gebracht.



1. De lift omhoog brengen: houd de knop **NAAR BOVEN** **A** ingedrukt om de arm en de patiënt omhoog te brengen.
2. De lift omlaag brengen: houd de knop **NAAR BENEDEN** **B** ingedrukt om de arm en de patiënt omlaag te brengen.



Laat de knop los om de lift stil te zetten tijdens het omhoog of omlaag brengen.

### 5.4 De poten inklappen en uitklappen



#### WAARSCHUWING!

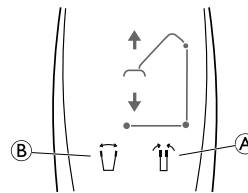
##### Risico op lichamelijk letsel

De lift kan kantelen waardoor een gevaarlijke situatie ontstaat voor zowel de patiënt als de assistenten.

- De poten van de lift moeten maximaal worden uitgeklaapt voor optimale stabiliteit en veiligheid. Als u de poten van de lift moet inklappen om deze onder een bed te manoeuvreren, klapt u de poten in totdat de lift zich boven de patiënt bevindt en tilt u de patiënt uit bed. Als de poten van de lift zich niet meer onder het bed bevinden, klapt u de poten van de lift weer uit naar de maximaal geopende stand.

#### 5.4.1 De elektrische poten in- en uitklappen

Met de handbediening kunnen de poten van het onderstel worden in- en uitgeklaapt.

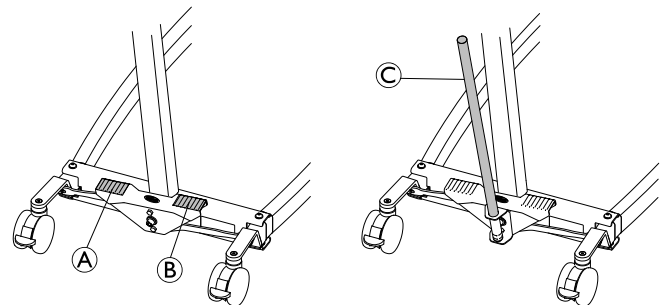


1. Klapt de poten in door de knop voor het inklappen van de poten **A** ingedrukt te houden.
2. Klapt de poten uit door de knop voor het uitklappen van de poten **B** ingedrukt te houden.



De poten komen tot stilstand als u de knop loslaat.

#### 5.4.2 De poten handmatig in- en uitklappen



De poten kunnen handmatig worden in- en uitgeklaapt met behulp van twee pedalen (**A** en **B**) of met de hendel **C**.

1. Druk met een voet op het rechter pedaal **B** om de poten uit te klappen.
2. Druk met een voet op het linker pedaal **A** om de poten in te klappen.

Met de hendel:

1. Trek de hendel **C** naar rechts om de poten uit te klappen.
2. Duw de hendel **C** naar links om de poten in te klappen.

### 5.5 Het tiljuk vervangen

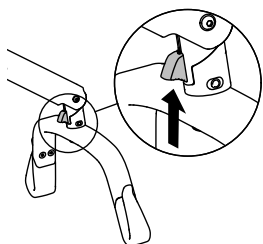
(alleen het tiljuk met SMARTLOCK™)

**WAARSCHUWING!****Kans op lichamelijk letsel**

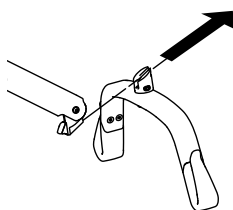
- Gebruik alleen tiljucken die zijn gemaakt voor deze lift.
- Controleer of het tiljuk geschikt is voor de patiënt en voor de vereiste wijze van tillen of verplaatsen.
- Controleer of het tiljuk stevig is bevestigd aan de hefboomconnector en niet kan worden verwijderd zonder de ontgrendelingsknop in te drukken.

**Het tiljuk verwijderen**

1.



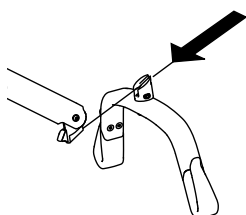
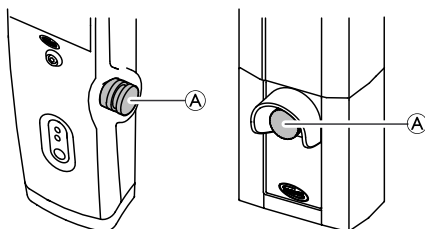
2.



1. Druk de ontgrendelingsknop in en duw deze naar boven.
2. Schuif het tiljuk eruit in voorwaartse richting en enigszins naar boven gericht.

**Een tiljuk bevestigen**

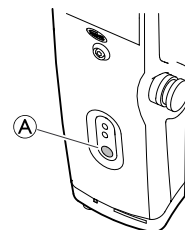
1. Schuif het tiljuk erin tot u een klik hoort.
2. Controleer of het tiljuk stevig is bevestigd aan de hefboomconnector en niet kan worden verwijderd zonder de ontgrendelingsknop in te drukken.

**5.6 Functies voor noodgevallen****5.6.1 Een noodstop uitvoeren**

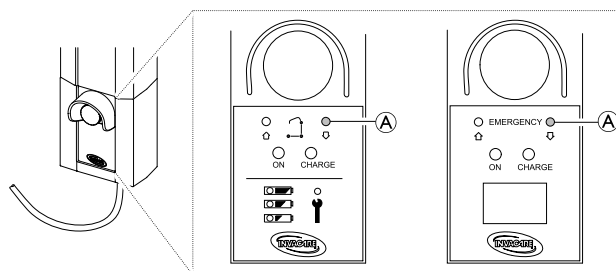
1. Druk op de rode noodstopknop (A) van de bedieningseenheid om te voorkomen dat de hefboom en de patiënt omhoog of omlaag gaan.
2. U kunt de noodstopknop weer resetten door deze rechtsom te draaien.

**5.6.2 De verlagingsfunctie activeren in een noodgeval (CBJ Home-bedieningseenheid)**

Als de handbediening niet werkt, kan de hefboom omlaag worden gebracht met behulp van de ronde noodstopshakelaar.

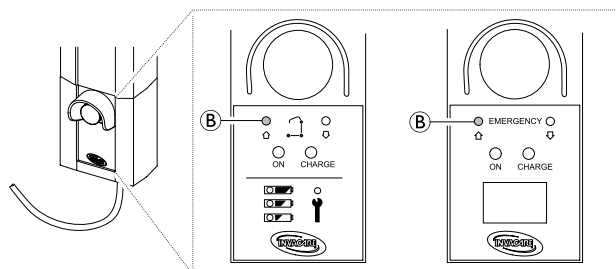


1. Laat de hefboom zakken door knop (A) aan de voorzijde van de bedieningseenheid ingedrukt te houden.
2. Laat de knop los om de hefboom stil te zetten.

**5.6.3 De verlagingsfunctie activeren in een noodgeval (bedieningseenheid van CBJ Care, CBJ1 en CBJ2)**

Als de handbediening niet werkt, kan de hefboom omlaag worden gebracht met behulp van de ronde noodstopshakelaar. Gebruik een scherp object, bijvoorbeeld een potlood, om de knop in te drukken.

1. Laat de hefboom zakken door knop (A) aan de voorzijde van de bedieningseenheid ingedrukt te houden.
2. Laat de knop los om de hefboom stil te zetten.

**5.6.4 De optilfunctie activeren in een noodgeval (bedieningseenheid van CBJ Care en CBJ1)**

Als de handbediening niet werkt, kan de hefboom omhoog worden gebracht met behulp van de ronde noodstopshakelaar voor optillen. Gebruik een scherp object, bijvoorbeeld een potlood, om de knop in te drukken.

1. Breng de hefboom omhoog door de knop (B) aan de voorzijde van de bedieningseenheid ingedrukt te houden.
2. Laat de knop los om de hefboom stil te zetten.

**5.6.5 Het verlagingsmechanisme activeren in een noodgeval**

Als de noodverlaging op de bedieningseenheid niet werkt, is er een mechanische noodverlaging beschikbaar als reserve. Dit kan gebeuren bij een volledige of gedeeltelijke stroomstoring, of als de accu tijdens gebruik leeg raakt.

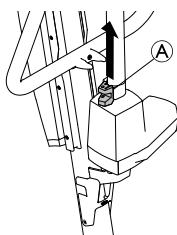
**WAARSCHUWING!****Risico op letsel of beschadiging**

Als de mechanische noodverlaging herhaaldelijk wordt gebruikt, neemt de verlagingssnelheid snel toe.

- Gebruik de mechanische noodverlaging alleen als reserve, wanneer de noodverlaging op de bedieningseenheid niet werkt.
- Gebruik de mechanische noodverlaging niet meerdere keren snel achter elkaar.
- Laat de patiënt altijd op een dragend oppervlak zakken, zoals een bed of stoel.
- Na een noodgedwongen gebruik van de mechanische noodverlaging moet de patiëntenlift worden gecontroleerd, zodat de storing van de bedieningseenheid kan worden verholpen.

**Birdie® EVO en Birdie® EVO PLUS / XPLUS**

1. Zoek de rode noodhandgreep **A** onderaan de zuiger van de actuator.
2. Trek de rode noodhandgreep **A** langzaam omhoog. Stop met trekken en houd de greep op zijn plek wanneer een veilige verlagingssnelheid is bereikt.
3. Als er niets gebeurt terwijl de noodhandgreep **A** helemaal omhoog is getrokken, druk dan tegelijkertijd de hefboom naar beneden.



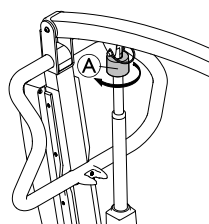
De effectieve verlagingssnelheid is afhankelijk van het gewicht van de patiënt. Als de snelheid te laag of te hoog is, kan deze worden aangepast aan het gewicht van de patiënt. De verlagingssnelheid aanpassen:

1. Zoek de schroef in de opening aan de onderkant van de rode noodhandgreep **A**.
2. Draai de schroef naar links om de snelheid te verhogen.
3. Draai de schroef naar rechts om de snelheid te verlagen.

**Birdie® EVO COMPACT**

(optioneel)

1. Zoek de rode noodstopknop **A** bovenaan de zuiger van de actuator.
2. Draai de noodstopknop **A** rechtsom.

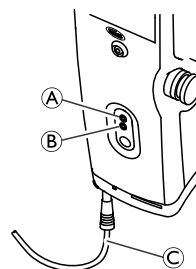
**5.7 De accu opladen****BELANGRIJK!**

- De noodstop mag niet zijn geactiveerd wanneer de accu wordt opgeladen.
- De accu moet worden opgeladen in een goed geventileerde ruimte.
- De elektrische functies werken niet wanneer de lift is aangesloten op de netvoeding.
- Gebruik de lift niet als de behuizing van de accu beschadigd is.
- Vervang een beschadigde accubehuizing voordat u de lift gaat gebruiken.
- De lift mag niet worden verplaatst als het netsnoer nog in het stopcontact zit.

De accu kan het beste dagelijks worden opgeladen. De lift kan dan optimaal worden gebruikt en de accu gaat langer mee. Daarnaast wordt aanbevolen om de accu op te laden voorafgaand aan het eerste gebruik.

**5.7.1 CBJ Home-bedieningseenheid**

De bedieningseenheid is voorzien van een geluidssignaal. Er klinkt een pieptoon als de accu bijna leeg is. Het is dan nog wel mogelijk om de patiënt te laten zakken. Het wordt aangeraden de accu op te laden zodra het geluidssignaal klinkt.



1. Steek de stekker van het netsnoer **C** in het stopcontact.

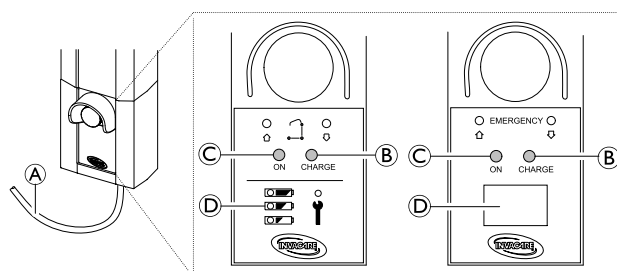


De accu laadt op in ongeveer 4 uur. Het laden stopt automatisch als de accu volledig is opgeladen.

De bovenste gele diode **A** knippert tijdens het opladen en brandt continu als de accu volledig is opgeladen.

De onderste groene diode **B** blijft branden zo lang de bedieningseenheid is aangesloten op het stopcontact, en licht op als er een knop op de handbediening wordt ingedrukt of als de functie voor elektrisch zakken in noodgevallen wordt geactiveerd.

2. Haal de stekker uit het stopcontact als de accu volledig is opgeladen.

**5.7.2 CBJ Care-, CBJ1-, CBJ2-bedieningseenheid**

De bedieningseenheid is voorzien van een geluidssignaal. Er klinkt een pieptoon als de accu bijna leeg is. Het is dan

nog wel mogelijk om de patiënt te laten zakken. Het wordt aangeraden de accu op te laden zodra het geluidssignaal klinkt.

1. Steek de stekker van het netsnoer **A** in het stopcontact.



De accu laadt op in ongeveer 4 uur. Het laden stopt automatisch als de accu volledig is opgeladen.

De gele diode **B** (rechts) brandt continu tijdens het opladen en gaat uit als de accu volledig is opgeladen.

De groene diode **C** (links) brandt continu als de bedieningseenheid is aangesloten op het elektriciteitsnet.

2. Haal de stekker van het netsnoer **A** uit het stopcontact als de accu volledig is opgeladen.

## Acculampje

De bedieningseenheid kan zijn uitgerust met een acculampje **D**, dat de resterende capaciteit van de accu aangeeft.

### CBJ Care

Type acculampje	Accustatus	Omschrijving
	Volledig opgeladen	Er is voldoende spanning - opladen is niet nodig (50-100%). Het bovenste ledlampje is GROEN.
	Gedeeltelijk opgeladen	De accu moet worden opgeladen (25-50%). Het middelste ledlampje is GEEL.
	Nog niet opgeladen	De accu moet worden opgeladen (minder dan 25%). Er klinkt een akoestisch signaal als er een knop wordt ingedrukt. Het onderste ledlampje is GEEL.
	Nog niet opgeladen (led knippert)	De accu moet worden opgeladen. De lift werkt niet meer optimaal en de hefboom kan alleen nog omlaag worden gebracht.

### CBJ1 en CBJ2 met lcd

Type acculampje	Accustatus	Omschrijving
	Volledig opgeladen (100%)	Er is voldoende spanning - opladen is niet nodig (100%).
	Gedeeltelijk opgeladen (75%)	Er is voldoende spanning - opladen is niet nodig (75%).
	Gedeeltelijk opgeladen (50%)	De accu moet worden opgeladen (50%).

Type acculampje	Accustatus	Omschrijving
	Nog niet opgeladen (25%)	De accu moet worden opgeladen (25%). Er klinkt een akoestisch signaal als er een knop wordt ingedrukt.
	Nog niet opgeladen (0%)	De accu moet worden opgeladen. De lift werkt niet meer optimaal en de hefboom kan alleen nog omlaag worden gebracht.

## 5.7.3 Optionele handbediening

Voor de CBJ Care is een handbediening met acculampje als optie verkrijgbaar.

Type acculampje	Accustatus	Omschrijving
	Volledig opgeladen	De accu heeft voldoende spanning - opladen is niet nodig (100-50%). Het ledlampje rechts is GROEN.
	Gedeeltelijk opgeladen	De accu moet worden opgeladen (50-25%). Het middelste ledlampje is GEEL.
	Nog niet opgeladen	De accu moet worden opgeladen (minder dan 25%). Er klinkt een akoestisch signaal als er een knop wordt ingedrukt. Het ledlampje links is GEEL.
	Nog niet opgeladen (led knippert)	De accu moet worden opgeladen. De lift werkt niet meer optimaal en de hefboom kan alleen nog omlaag worden gebracht.

## 5.7.4 Optionele acculader

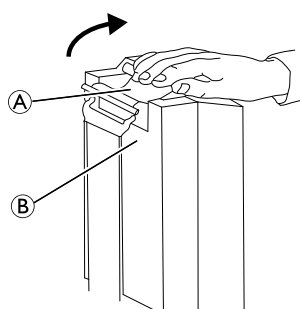
(alleen voor bedieningseenheden met afneembare accu)



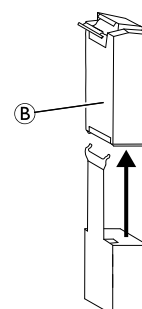
De procedure voor het verwijderen en installeren van de accu is hetzelfde voor de bedieningseenheid en de lader.

### De accu verwijderen

1.



2.



1. Houd de accu vast aan het handvat ① achter op de accu ②.
2. Til de accu omhoog uit de bedieningseenheid of de lader.

#### De accu plaatsen

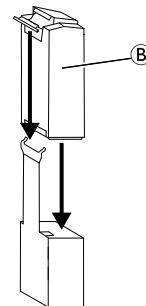


#### LET OP!

Een onjuiste plaatsing van de accu kan leiden tot letsel of schade.

- U dient een klik te horen bij het plaatsen van de accu in de bedieningseenheid of de acculader. Dit duidt op een correcte plaatsing.

1. Plaats de accu ③ op de bedieningseenheid of de lader zoals weergegeven, en verzeker u ervan dat u een klik hoort.



Wanneer de accu op de lader is geplaatst, gaat het oplaadlampje branden. Wanneer de accu is opgeladen, gaat het oplaadlampje uit.

Het duurt ongeveer vier uur om een lege accu volledig op te laden.



## 6 Verplaatsen van een patiënt

### 6.1 Algemene veiligheidsinformatie



#### WAARSCHUWING!

##### Gevaar voor letsel of beschadiging

Verkeerd gebruik van dit product kan leiden tot schade of lichamelijk letsel.

- Controleer voordat u een patiënt verplaatst naar een stilstaand object (rolstoel, bed, toiletstoel of een ander oppervlak) of dit object voldoende draagvermogen heeft voor het gewicht van de patiënt.
- Indien van toepassing moeten de remmen van de wielen of zwenkwielen van het stilstaande object (rolstoel, bed enzovoort) zijn geactiveerd voordat u de patiënt op het stilstaande object laat zakken of optilt van het stilstaande object.



#### WAARSCHUWING!

##### Gevaar voor letsel of beschadiging

Verkeerd gebruik van dit product kan leiden tot schade of lichamelijk letsel.

- Gebruik altijd de duwstangen op de mast om de lift te duwen of te trekken.
- Gebruik de lift niet op een helling. Invacare adviseert het product alleen op een vlakke ondergrond te gebruiken.
- Tijdens het verplaatsen, wanneer de patiënt in de draagband van de lift hangt, mag u de lift NIET over ongelijke oppervlakken rollen, om te voorkomen dat de lift kantelt.



#### WAARSCHUWING!

##### Gevaar voor letsel of beschadiging

Schade aan onderdelen van de lift (handbediening, zwenkwielen, enzovoort) die is veroorzaakt door het raken van de vloer, muren of andere stilstaande objecten, kan schade aan het product en letsel veroorzaken.

- Zorg dat de onderdelen van de lift GEEN vloeren, muren of andere stilstaande objecten raken.
- Berg de handbediening ALTIJD op wanneer deze niet wordt gebruikt.



#### WAARSCHUWING!

##### Gevaar voor lichamelijk letsel

Het tiljuk kan plotseling in beweging komen, wat kan leiden tot letsel.

- Let bij het positioneren van de lift altijd op de positie van het tiljuk en de patiënt.



#### WAARSCHUWING!

##### Beknellings- of verstikkingsgevaar

Als het snoer van de handbediening niet goed geplaatst of bevestigd is, kan dit leiden tot lichamelijk letsel.

- Let ALTIJD op de locatie van het snoer van de handbediening ten opzichte van de patiënt en de zorgverleners.
- Zorg dat de patiënt en zorgverleners NIET verstrikt raken in het snoer van de handbediening.
- De handbediening moet op de juiste manier worden bevestigd. Berg de handbediening ALTIJD op wanneer deze niet wordt gebruikt.



#### WAARSCHUWING!

##### Beknellings- of verstikkingsgevaar

Spullen in de omgeving van de patiënt kunnen tijdens het optillen zorgen voor bekneling of verstikking. Om bekneling of verstikking te voorkomen:

- Controleer voor het tillen of de patiënt niet ergens aan vastzit.



#### WAARSCHUWING!

##### Beknellingsgevaar

Het risico bestaat dat u bekneld raakt tussen het tiljuk en de draagband.

- Wees voorzichtig bij het tillen.
- Plaats bij het tillen NOOIT handen of vingers op of in de buurt van de haken.
- Zorg ervoor voordat u gaat tillen dat de handen en vingers van de patiënt zich niet in de buurt van de haken bevinden.



#### BELANGRIJK!

Alle verplaatsingsprocedures die hieronder worden beschreven, kunnen worden uitgevoerd door één (1) assistent. Invacare raadt echter aan de procedures indien mogelijk met twee (2) assistenten uit te voeren.

### 6.2 Het omhoog tillen voorbereiden



#### WAARSCHUWING!

##### Gevaar voor lichamelijk letsel

Tijdens verplaatsingen en tijdens het gebruik van de lift kan de hefboom de patiënt of verzorgers raken en letsel veroorzaken.

- Let bij verplaatsingen ALTIJD op de positie van de hefboom.
- Zorg dat de hefboom zodanig is gepositioneerd dat deze geen patiënten of omstanders kan raken.
- Let bij verplaatsingen ALTIJD op uw eigen positie ten opzichte van de hefboom.

1. Voordat u verdergaat, moet u de informatie en alle waarschuwingen in *2 Veiligheid, pagina 171* en *De patiënt optillen* doornemen en in acht nemen.
2. Positioneer de patiënt in de draagband. Raadpleeg de gebruiksaanwijzing van de draagband.
3. Ontgrendel de achterste zwenkwielen. Raadpleeg *5 Gebruik, pagina 180*
4. Klap de poten van de lift uit. Raadpleeg *5 Gebruik, pagina 180*

5. Gebruik de duwstangen om de patiëntenlift in positie te brengen.



#### WAARSCHUWING!

- Wanneer u de lift samen met een bed of rolstoel gebruikt, moet u letten op de positie van de lift ten opzichte van de andere objecten, zodat de toegang tot de lift niet geblokkeerd raakt.
- Zorg dat er geen obstakels zijn wanneer u de poten van de patiëntenlift onder een bed plaatst.

6. Breng de patiëntenlift omlaag om de draagband gemakkelijk te kunnen bevestigen.
7. Vergrendel de achterste zwenkwielen. Zie 5 *Gebruik*, pagina 180
8. Bevestig de draagband. Zie 6.2.1 *De draagband aan de patiëntenlift bevestigen*, pagina 186

### 6.2.1 De draagband aan de patiëntenlift bevestigen



#### WAARSCHUWING!

##### Gevaar voor lichamelijk letsel

Het gebruik van verkeerde of beschadigde draagbanden kan ertoe leiden dat de patiënt valt of de assistenten gewond raken.

- Gebruik een door Invacare goedgekeurde draagband die wordt aanbevolen door de arts, verpleegkundige of arts-assistent van de betrokkene om comfort en veiligheid te kunnen waarborgen voor de patiënt die moet worden verplaatst.
- Invacare-draagbanden en -accessoires voor patiëntenliften zijn specifiek ontworpen voor gebruik in combinatie met Invacare-patiëntenliften.
- Inspecteer de draagband(en) op slijtage, scheuren en losse naden na elke reinigingsbeurt (volgens de instructies op de draagband).
- Verbleekte, gescheurde, gerafelde en beschadigde draagbanden zijn onveilig en kunnen leiden tot letsel. Verwijder deze direct.
- Pas draagbanden NIET aan.



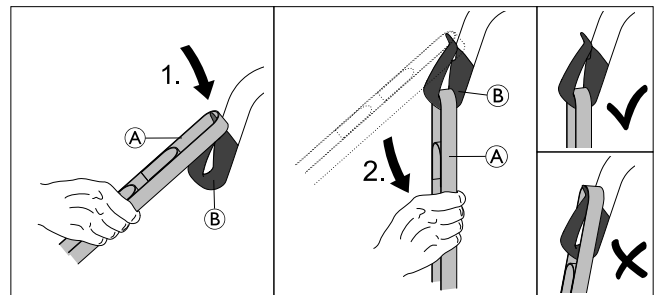
#### WAARSCHUWING!

##### Gevaar voor lichamelijk letsel

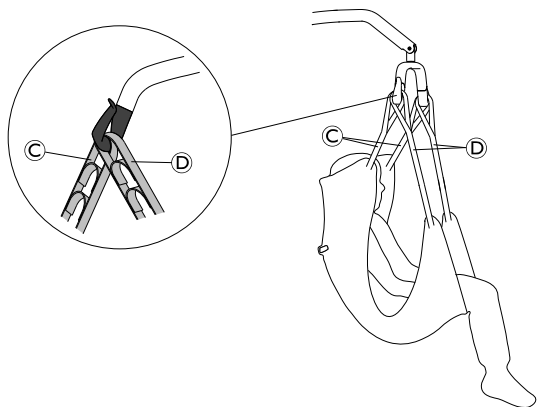
Het gebruik van onjuist bevestigde of aangepaste draagbanden kan ertoe leiden dat de patiënt valt of de assistenten gewond raken.

- Controleer de bevestigingspunten van de draagband telkens wanneer u deze verwijdert of verplaatst om ervoor te zorgen dat de band goed vastzit voordat u een patiënt uit een stilstaand object verwijdert (bed, stoel of toilet).
- Het tiljuk MOET aan de patiëntenlift worden bevestigd VOORDAT de draagband mag worden bevestigd.
- Gebruik GEEN enkel type kunststof incontinentieluier of zitkussen tussen de patiënt en het materiaal van de draagband waardoor de patiënt tijdens het verplaatsen uit de draagband zou kunnen glijden.
- Zorg er bij het optillen van een patiënt voor dat het hoofd voldoende wordt ondersteund.
- Plaats de patiënt in de draagband volgens de instructies die bij de draagband zijn geleverd.
- Zorg ervoor dat u alle aanpassingen voor de veiligheid en het comfort voor de patiënt hebt ingesteld voordat u de patiënt gaat verplaatsen.

De bevestigingsbandjes aan de draagband kunnen lussen bevatten in verschillende kleuren die verschillende lengtes aangeven. Hiervan kan gebruik worden gemaakt om de patiënt in verschillende posities te plaatsen. De kortere bevestigingsbandjes bij de schouders zorgen voor een meer verticale positie die de overplaatsing naar een stoel of rolstoel vergemakkelijkt. Door deze bandjes bij de schouders langer te maken, wordt een meer achterover hellende hoek verkregen waarin de overplaatsing naar een stoel of bed beter mogelijk is. Bevestig steeds de twee lussen met dezelfde kleur aan weerszijden van de draagband zodat de patiënt bij het omhoog tillen niet scheef hangt.

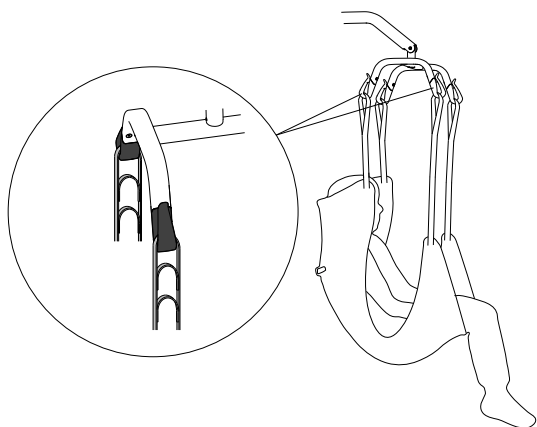


1. Leg de gekozen lus van bevestigingsbandje A over de punt van haak B.
2. Trek het bevestigingsbandje A zo ver omlaag dat het helemaal aan de onderkant van haak B komt te zitten.
3. Herhaal deze stappen voor elk van de overige bevestigingsbandjes van de draagband.
  - a.



Bevestig de schouderband © op een 2-punts tiljuk voor de beenband © aan elk van de haken.

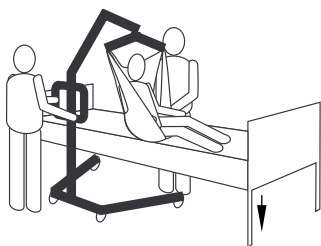
b.



Bevestig de bevestigingsbandjes elk aan een afzonderlijke haak op een 4-punts tiljuk.

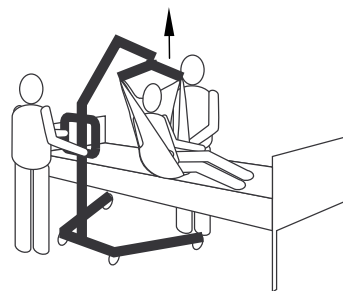
### 6.3 De patiënt vanaf een bed verplaatsen

1. Bereid het omhoog tillen voor. Raadpleeg 6.2 *Het omhoog tillen voorbereiden*, pagina 185
2. Bevestig de draagband aan de lift. Raadpleeg 6.2.1 *De draagband aan de patiëntenlift bevestigen*, pagina 186
3. Ontgrendel de achterste zwenkwielen.
- 4.



Laat het bed zakken tot de laagste positie.

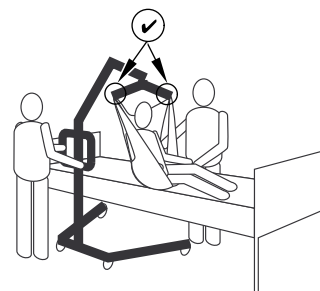
5.



Til de patiënt voldoende hoog op om het stilstaande object vrij te maken terwijl zijn/haar gewicht volledig wordt ondersteund door de lift.

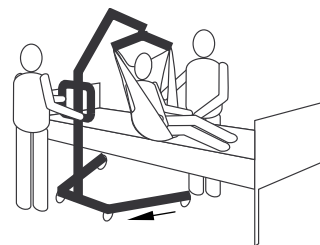
**i** De hefboom blijft in deze positie totdat de knop OMLAAG wordt ingedrukt.

6.



Controleer voor het verplaatsen van de patiënt nogmaals of de draagband goed is bevestigd aan de haken van het tiljuk. Raadpleeg 6.2.1 *De draagband aan de patiëntenlift bevestigen*, pagina 186 Als u merkt dat bevestigingspunten niet goed vastzitten, laat u de patiënt weer op het stilstaande object zakken en verhelpt u het probleem.

7.



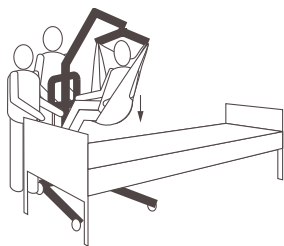
Verplaats de lift met behulp van de duwstangen uit de buurt van het stilstaande object.

8.



Draai de patiënt met de handgrepen op de draagband zodanig dat hij/zij de assistent die de patiëntenlift bedient, aankijkt.

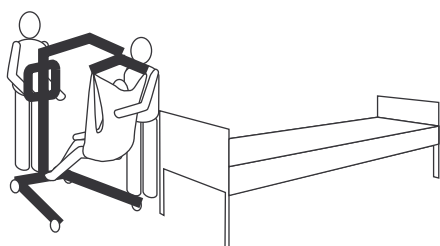
9.



Laat de patiënt zakken zodat zijn/haar voeten op het onderstel van de lift rusten, schrijlings langs de mast.

- i Het lage zwaartepunt zorgt voor meer stabiliteit waardoor de patiënt zich veiliger voelt en de lift makkelijker kan worden verplaatst.

10.



Verplaats de patiëntenlift met beide handen stevig op de duwstangen.

11. Ga verder met het verplaatsen naar een ander rustoppervlak of stilstaand object.

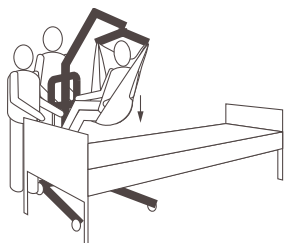
## 6.4 Een patiënt naar een bed verplaatsen

1. Voer de volgende stappen uit naast de stappen die nodig zijn om de patiënt van een ander rustoppervlak of stilstaand object op te tillen.
- 2.



Breng de lift omhoog of omlaag om de patiënt boven het stilstaande oppervlak te positioneren. Breng de patiënt zodanig omhoog of omlaag dat deze eenvoudig over de zijkanten van het stilstaande object kan worden getild.

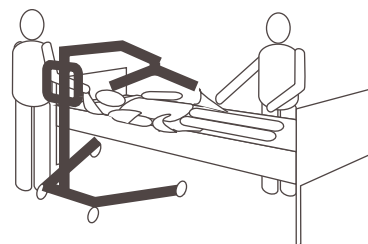
3.



Laat de patiënt zakken op het stilstaande oppervlak.

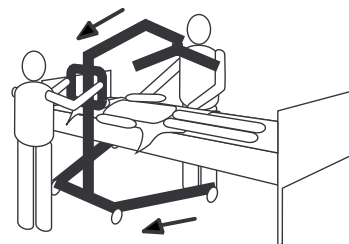
4. Controleer of de patiënt volledig wordt ondersteund door het oppervlak waarnaar u de patiënt verplaatst.

5. Vergrendel de achterste zwenkwielen.
6. Verhoog het bed naar een goede werkhoogte (doorgaans de heuphoogte van de zorgverleners).
- 7.



Maak de draagband los van het tiljuk.

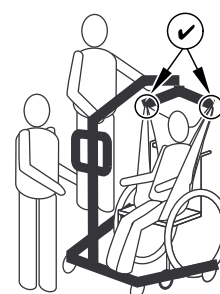
8. Ontgrendel de achterste zwenkwielen.
- 9.



Beweeg de lift weg van de zone.

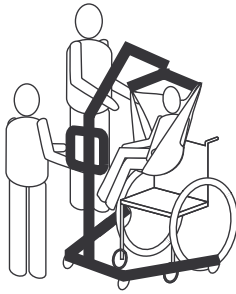
## 6.5 Een patiënt overplaatsen vanuit een rolstoel

1. Schakel de parkeerremmen van de rolstoel in om te voorkomen dat deze onbedoeld wordt verplaatst.
2. Bereid het omhoog tillen voor. Raadpleeg 6.2 *Het omhoog tillen voorbereiden, pagina 185*
3. Plaats de rolstoel tussen de opengeklapte poten van de patiëntenlift, met de patiënt kijkend in de richting van de mast.
4. Bevestig de draagband aan de patiëntenlift. Raadpleeg 6.2.1 *De draagband aan de patiëntenlift bevestigen, pagina 186*
5. Ontgrendel de achterste zwenkwielen.
- 6.



Breng de hefboom zo ver omhoog dat er spanning komt te staan op de bevestigingsbandjes van de draagband en controleer of de draagband goed is bevestigd aan de haken van het tiljuk. Raadpleeg 6.2.1 *De draagband aan de patiëntenlift bevestigen, pagina 186* Als u merkt dat bevestigingspunten niet goed vastzitten, laat u de patiënt weer in de rolstoel zakken en verhelpt u het probleem.

7.



Til de patiënt voldoende omhoog om de rolstoelzitting vrij te maken terwijl zijn/haar gewicht volledig wordt ondersteund door de patiëntenlift.

8. Verplaats de patiëntenlift met behulp van de duwstangen uit de buurt van de rolstoel.
9. Ga verder met het verplaatsen naar een ander rustoppervlak of stilstaand object.

## 6.6 Een patiënt in een rolstoel zetten

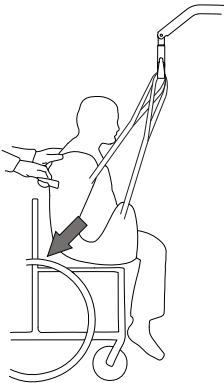


### WAARSCHUWING!

#### Gevaar voor lichamelijk letsel

- Controleer voordat u de patiënt verplaatst of de rolstoel voldoende draagvermogen heeft voor het gewicht van de patiënt.
- De rolstoel MOET op de rem staan voordat u de patiënt laat zakken in de rolstoel voor transport.

1. Voer de volgende stappen uit naast de stappen die nodig zijn om de patiënt van een ander rustoppervlak of stilstaand object op te tillen.
2. Schakel de parkeerremmen van de rolstoel in om te voorkomen dat deze onbedoeld wordt verplaatst.
3. Positioneer de patiënt boven de zitting van de stoel met zijn of haar rug tegen de achterzijde van de stoel.
- 4.

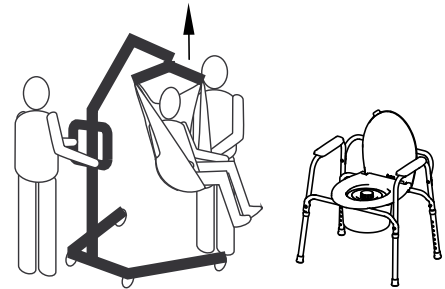


Laat de patiënt zakken en gebruik de handgreep (op bepaalde modellen) of de zijkanten van de draagband om de heupen van de patiënt zo ver mogelijk naar achteren in de stoel te plaatsen voor een juiste positionering. Op die manier wordt een goed evenwicht bewaard en kan de stoel niet naar voren kantelen.

## 6.7 Een patiënt van en naar een toiletstoel verplaatsen

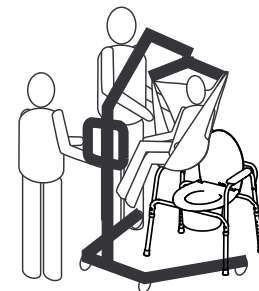
- i De Invacare-patiëntenlift is GEEN vervoermiddel. Wanneer de badkamer zich NIET in de buurt van het bed bevindt of wanneer de patiënt niet gemakkelijk naar de toiletstoel kan worden verplaatst, MOET de patiënt in een rolstoel worden verplaatst en naar de badkamer worden gebracht, waarna de patiënt met de patiëntenlift op een standaard toiletstoel kan worden geplaatst.
- i De draagbanden met toiletopeningen zijn ontworpen om te worden gebruikt met een toiletrolstoel of een standaard toiletstoel.
- i Voordat de patiënt wordt verplaatst, dient u de patiëntenlift mee te nemen naar de badkamer om te controleren of de lift gemakkelijk tot bij de toiletstoel kan komen.

1. Voer de volgende stappen uit naast de stappen die nodig zijn om de patiënt van een ander rustoppervlak of stilstaand object op te tillen.
- 2.



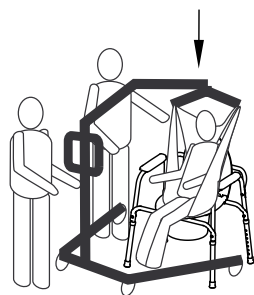
Til de patiënt voldoende omhoog om de armen van de toiletstoel vrij te maken, waarbij het gewicht van de patiënt volledig wordt ondersteund door de patiëntenlift. Zie 5 Gebruik, pagina 180

- 3.



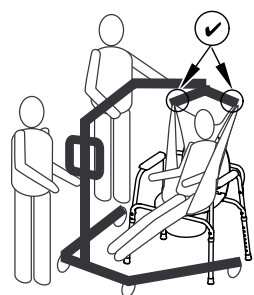
Zorg dat de lift met de poten aan de buitenkant van de poten van de toiletstoel staat en de duwstangen van de lift zich tegenover de toiletstoel bevinden. Laat de patiënt plaatsnemen op de toiletstoel.

4.



Laat de patiënt zakken op de toiletstoel waarbij de draagband aan de haken van het tiljuk bevestigd dienen te blijven. Invacare raadt aan de draagband aan de haken van het tiljuk te laten terwijl de patiënt een toiletrolstoel of een standaard toiletstoel gebruikt.

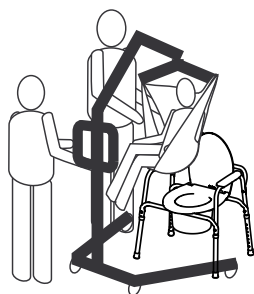
5.



Wanneer de patiënt klaar is, controleert u nogmaals of de draagband correct is bevestigd.

6. Til de patiënt omhoog van de toiletstoel.

7.



Wanneer de patiënt van het oppervlak van de toiletstoel is verwijderd, gebruikt u de duwstangen om de lift bij de toiletstoel vandaan te bewegen.

8. Ga verder met het verplaatsen naar een ander rustoppervlak of stilstaand object.

## 6.8 Een patiënt van de vloer omhoog tillen



### WAARSCHUWING!

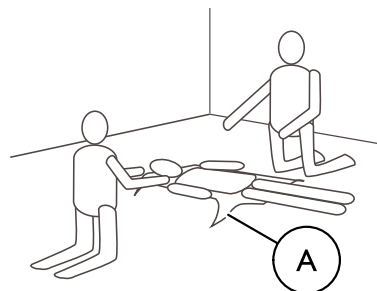
#### Gevaar voor lichamelijk letsel

De lift kan een patiënt die op de vloer ligt of een assistent die op de vloer werkt, verwonden.

- Ga altijd voorzichtig te werk wanneer u onderdelen van de lift verplaatst die zich in de buurt van een persoon op de vloer bevinden.

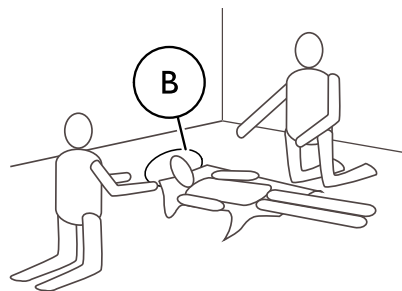
1. Controleer na een val of de patiënt mogelijk gewond is geraakt. Wanneer geen medische zorg noodzakelijk is, gaat u verder met het verplaatsen.

2.



Plaats de draagband Ⓐ onder de patiënt. Raadpleeg de gebruiksaanwijzing van de draagband voor meer informatie over het plaatsen van draagbanden.

3.

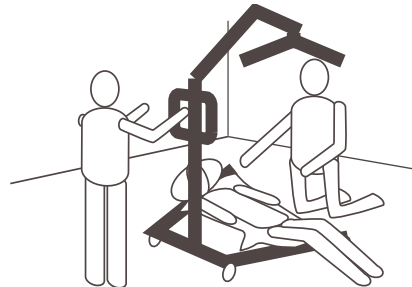


Laat de patiënt zijn/haar knieën buigen en zijn/haar hoofd van de vloer tillen terwijl u het hoofd van de patiënt ondersteunt met een kussen Ⓑ.

4. Ontgrendel de achterste zwenkwielen. Zie 5 Gebruik, pagina 180

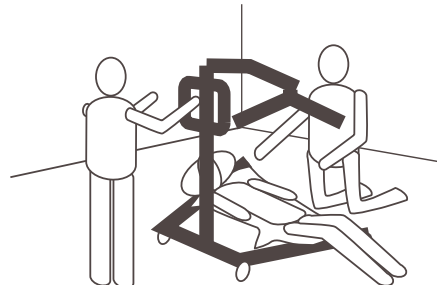
5. Klap de poten van de lift uit. Zie 5 Gebruik, pagina 180

6.



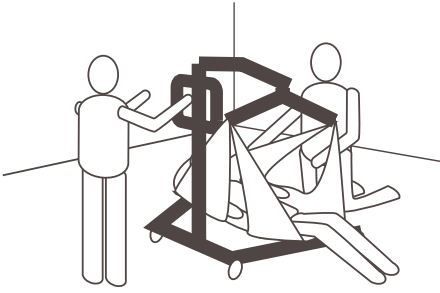
Plaats de lift met één poot onder de gebogen knieën van de patiënt en met de andere poot onder het hoofd van de patiënt. Houd de bevestigingsbanden van de draagband binnen het bereik van de poten van de lift.

7.



Breng de hefboom omlaag zodat het tiljuk zich precies boven de borstkas van de patiënt bevindt.

8.



Bevestig de draagband. Raadpleeg 6.2.1 *De draagband aan de patiëntenlift bevestigen, pagina 186*

9. Breng de hefboom omhoog om de patiënt van de vloer te tillen.
10. Ga verder met het verplaatsen naar een ander rustoppervlak of stilstaand object.

## 7 Transport en opslag

### 7.1 Algemene informatie

De noodstopknop moet worden ingedrukt tijdens transport en wanneer de patiëntenlift enige tijd niet wordt gebruikt.

Een ingeklapte of gedemonteerde lift kan worden getransporteerd of bewaard in de verpakkingsdoos.

Een ingeklapte lift kan aan de achterwielen worden voortgetrokken en liften met een handmatige voorziening voor het uitklappen van poten kunnen rechttop worden geparkeerd, met de mast/hefboom naar boven gericht.

De patiëntenlift moet bij kamertemperatuur worden opgeslagen. In een vochtige, koude of natte omgeving kunnen de motor en andere montageonderdelen gaan roesten. Raadpleeg 11.4 Voorwaarden voor de gebruiksomgeving, pagina 199

### 7.2 De mast losmaken van het onderstel

(alleen voor de vaste mast)

1. Verwijder de optionele hendel voor het uitklappen van de poten, indien deze is bevestigd.
2. Breng de hefboom omlaag en klap beide poten volledig in.
3. Activeer de noodstopknop en zet de remmen op de zwenkwielen.
4. Voer de procedure die wordt beschreven in 4.5 *De actuator op de hefboom installeren, pagina 178* in omgekeerde volgorde uit.
5. Voer de procedure die wordt beschreven in 4.4 *Het tiljuk uitklappen, pagina 177*, in omgekeerde volgorde uit.
6. Voer de procedure die wordt beschreven in 4.3.2 *De mast op het onderstel monteren, pagina 177*, in omgekeerde volgorde uit.

### 7.3 De mast inklappen

(alleen voor de inklapbare mast)

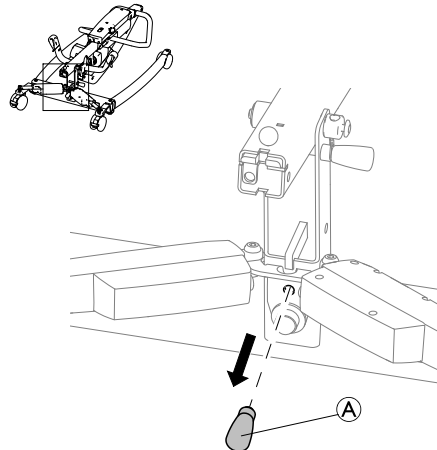
1. Verwijder de optionele hendel voor het uitklappen van de poten, indien deze is bevestigd.
2. Breng de hefboom omlaag en klap beide poten volledig in.
3. Activeer de noodstopknop en zet de remmen op de zwenkwielen.
4. Voer de procedure die wordt beschreven in 4.5 *De actuator op de hefboom installeren, pagina 178* in omgekeerde volgorde uit.
5. Voer de procedure die wordt beschreven in 4.4 *Het tiljuk uitklappen, pagina 177*, in omgekeerde volgorde uit.
6. Voer de procedure die wordt beschreven in 4.3.1 *De mast uitklappen, pagina 176* in omgekeerde volgorde uit en trek de veiligheidsvergrendeling ⑤ omhoog voordat u de mast inklapt.

### 7.4 Mastverlengstuk voor rechttop zetten van de lift

(Alleen Birdie EVO)

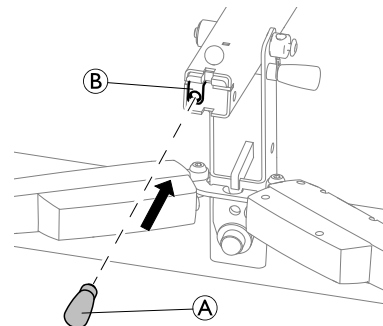
Er is een magnetisch mastverlengstuk meegeleverd waarmee de lift rechttop kan worden gezet. Hiervoor moet er een elektrisch mechanisme voor het uitklappen van de poten op de lift zijn aangebracht.

1.



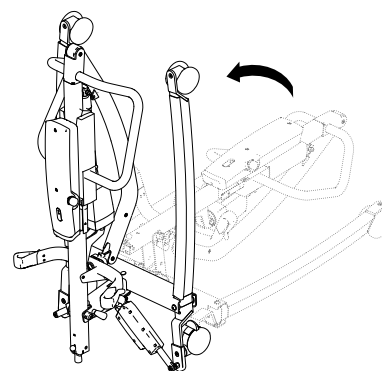
Haal het mastverlengstuk ① uit de plek op het onderstel van de lift waarin het is opgeborgen.

2.



Steek het mastverlengstuk ① in de houder ② op de onderkant van de ingeklapte mast.

3.



De ingeklapte lift kan nu rechttop worden gezet.



## 8 Onderhoud

### 8.1 Algemene informatie over onderhoud



#### LET OP!

##### Risico op letsel of beschadiging

- Voer geen onderhouds- of reparatieprocedures uit terwijl het product in gebruik is.

Volg de onderhoudsprocedures die worden beschreven in deze handleiding voor een maximale productiviteit en levensduur van uw product.

In de servicehandleiding worden verdere procedures voor onderhoud en inspectie beschreven, die door een gekwalificeerde monteur moeten worden uitgevoerd. Servicehandleidingen zijn verkrijgbaar via Invacare.

### 8.2 Dagelijkse controles



#### WAARSCHUWING!

##### Risico op letsel of beschadiging

- Beschadigde en versleten onderdelen kunnen de veiligheid van de lift aantasten.
- De patiëntenlift dient bij elk gebruik te worden gecontroleerd.
  - Gebruik de lift niet als deze beschadigd is of als u vermoedt dat bepaalde onderdelen van de lift onveilig zijn. Neem onmiddellijk contact op met uw Invacare-leverancier en zorg ervoor dat de lift niet wordt gebruikt totdat deze is gerepareerd.

#### Lijst dagelijkse controle

- Voer een visuele controle uit op de patiëntenlift. Controleer alle onderdelen op externe schade of slijtage.
- Controleer alle materialen, bevestigingspunten en onderdelen die onder spanning komen te staan, zoals de draagbanden, haken en alle draaipunten, op slijtage, breuken, rafeling, vervorming en verslechtering.
- Controleer of de handbediening werkt (tillen en pootbewegingen).
- Laad de accu elke dag dat de lift wordt gebruikt.
- Controleer de noodstopfunctie.
- Controleer het servicelampje (alleen de CBJ Care-bedieningseenheid).



Het servicelampje wordt aangegeven met een dopsleutelsymbool op de bedieningseenheid en op de handbediening, indien van toepassing.

- Als het servicelampje geel knippert, is er onderhoud aan de lift vereist. Gebruik de lift niet en neem contact op met uw Invacare-leverancier voor onderhoud.
- Als het servicelampje niet knippert, is de lift klaar voor gebruik.

## 8.3 Reiniging en desinfectie

### 8.3.1 Algemene veiligheidsinformatie



#### LET OP!

##### Besmettingsgevaar

- Tref voorzorgsmaatregelen voor uw eigen veiligheid en gebruik de juiste beschermingsuitrusting.



#### LET OP!

##### Risico op elektrische schokken en beschadiging van het product

- Schakel het apparaat uit en haal indien van toepassing de stekker uit het stopcontact.
- Houd bij het reinigen van elektrische onderdelen rekening met de betreffende beschermingsgraad tegen het binnendringen van water.
- Zorg dat er geen water op de stekker of het stopcontact spat.
- Raak de contactdoos niet aan als u natte handen hebt.



#### BELANGRIJK!

Het gebruik van de verkeerde vloeistoffen of methoden kan het product aantasten of beschadigen.

- Alle gebruikte reinigingsmiddelen en desinfecteringsmiddelen moeten effectief zijn, met elkaar gecombineerd kunnen worden en de te reinigen materialen beschermen.
- Gebruik nooit bijtende vloeistoffen (zuren, basen enzovoort) of schurende reinigingsmiddelen. We raden u aan een gewoon huishoudelijk reinigingsmiddel zoals vaatwasmiddel te gebruiken, indien in de reinigingsinstructies geen ander middel wordt voorgeschreven.
- Gebruik nooit een oplosmiddel (thinner, aceton en dergelijke) waardoor de structuur van de kunststof kan veranderen of labels kunnen loslaten.
- Zorg er altijd voor dat het product volledig droog is voordat dit weer in gebruik wordt genomen.



Volg voor reiniging en desinfectie in klinische omgevingen of omgevingen voor langdurige zorg de intern ingestelde procedures.

### 8.3.2 Reinigingsintervallen



#### BELANGRIJK!

Regelmatig reinigen en desinfecteren zorgt voor een soepele werking, verhoogt de levensduur en voorkomt besmetting.

Reinig en desinfecteer dit product

- regelmatig als het wordt gebruikt;
- voor en na onderhoudswerkzaamheden;
- als het in contact is gekomen met lichaamsvocht;
- voordat een nieuwe gebruiker er gebruik van maakt.

### 8.3.3 Reinigingsinstructies



#### **BELANGRIJK!**

- Het product mag niet worden gereinigd in geautomatiseerde wasinrichtingen, met hogedrukreinigingsapparatuur of met stoom.

#### **De lift reinigen**

Methode: Afnemen met een natte doek of zachte borstel.

Max. temperatuur: 40 °C

Oplosmiddel/chemische middelen: een normaal huishoudelijk reinigingsmiddel en water.

Drogen: afdrogen met een zachte doek.

#### **De draagband reinigen**

Raadpleeg de wasinstructies op de draagband en de handleiding bij de draagband voor informatie over het reinigen.

### 8.3.4 Instructies voor desinfecteren



Informatie over aanbevolen desinfectiemiddelen en -methoden is te vinden op <https://vah-online.de/en/for-users>.

### Verzorging thuis

Methode: Volg de opmerkingen over het aanbrengen van het gebruikte desinfectiemiddel op en neem alle toegankelijke oppervlakken af.

Desinfectiemiddel: een standaard desinfectiemiddel voor huishoudelijk gebruik.

Drogen: laat het product aan de lucht drogen.

### ziekenhuis en instelling voor langdurige zorg

Volg de desinfectieprocedures van uw instelling op en gebruik uitsluitend desinfectiemiddelen en -methoden die hierin worden vermeld.

## 8.4 Periodiek onderhoud



#### **WAARSCHUWING!**

#### **Risico op schade of lichamelijk letsel**

Onderhoud mag alleen worden uitgevoerd door een bevoegd technicus.

- Neem voor onderhoud contact op met Invacare.

Er moet minimaal eens per 12 maanden onderhoud worden uitgevoerd, tenzij anders vermeld in lokale vereisten.

## 9 Na gebruik

### 9.1 Afvoeren



#### **WAARSCHUWING!**

#### **Potentieel schadelijk voor het milieu**

Het apparaat bevat accu's.

Dit product bevat mogelijk stoffen die schadelijk kunnen zijn voor het milieu wanneer ze worden achtergelaten op plaatsen (stortplaatsen) die volgens de wetgeving daarvoor niet geschikt zijn.

- Gooi accu's NIET weg met normaal huishoudelijk afval.
- Accu's MOETEN naar een daarvoor bestemd afvalverwerkingsstation worden gebracht. Het inleveren van accu's is wettelijk verplicht; er zijn geen kosten aan verbonden.
- Voer alleen lege accu's af.
- Dek bij lithiumaccu's die afgevoerd moeten worden de contactpunten af.
- Meer informatie over het soort accu vindt u op het label van de accu of in het hoofdstuk *11 Technische Specificaties, pagina 197*.

Wij hopen dat u voldoende milieubewust bent om dit product na de levensduur naar een afvalverwerkingsstation te brengen.

Haal het product en de onderdelen ervan uit elkaar, zodat de verschillende materialen afzonderlijk kunnen worden gerecycled.

Gebruikte producten en verpakkingen moeten worden afgevoerd en gerecycled overeenkomstig de wet- en regelgeving voor afvalverwerking in het betreffende land. Neem contact op met uw plaatselijke afvalverwerkingsbedrijf voor meer informatie.

### 9.2 Geschikt maken voor hergebruik

Dit product is geschikt voor hergebruik. Om het product voor een nieuwe gebruiker gebruiksklaar te maken, voert u de volgende handelingen uit:


- Schoonmaken en desinfecteren
- Inspectie volgens het onderhoudsplan

Raadpleeg voor meer informatie over inspectie, reiniging en desinfectie de gebruikershandleiding en servicehandleiding bij dit product.

## 10 Problemen oplossen

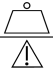
### 10.1 Defecten en mogelijke oplossingen identificeren

Symptomen	Defecten	Oplossing
Patiëntenlift voelt los aan.	Aansluiting mast/onderstel zit los.	Raadpleeg De mast installeren in het hoofdstuk Installatie.
	De trekstangen zitten los.	Neem contact op met uw Invacare-leverancier.
De zwenkwielen/remmen maken lawaai of zijn stroef.	Pluisjes of verontreinigingen in de lagers.	Verwijder pluisjes en verontreinigingen van de zwenkwielen.
Lawaai of droog geluid van de scharnierpunten.	De scharnierpunten zijn versleten of beschadigd.	Neem contact op met uw Invacare-leverancier.
Elektrische actuator zorgt niet voor vereiste lift of poten klappen niet uit bij drukken op de knop.	De aansluiting van de handbediening of actuator zit los.	Maak de aansluiting van de handbediening of actuator vast. Controleer of de aansluitingen goed en volledig zijn geplaatst.
	Accu bijna leeg.	Laad de accu op. Zie 5.7 De accu opladen, pagina 182
	Noodstopknop is ingedrukt.	Draai de noodstopknop rechtsom totdat deze omhoog komt.
	Accu niet op de juiste manier aangesloten op bedieningseenheid.	Sluit de accu opnieuw aan op de bedieningseenheid. Zie 5.7.4 Optionele acculader, pagina 183
	De aansluitpunten zijn beschadigd.	Neem contact op met uw Invacare-leverancier.
	Netsnoer aangesloten op een stopcontact.	Koppel het netsnoer los van het stopcontact.
	De hefboom of pootactuator is beschadigd.	Neem contact op met uw Invacare-leverancier.
	Max. belasting is overschreden.	Verminder de last.
Ongebruikelijk geluid van de actuator.	De actuator is beschadigd.	Neem contact op met uw Invacare-leverancier.
De hefboom zakt niet meer omlaag als deze het hoogste punt heeft bereikt.	De hefboom moet enigszins worden belast om te kunnen zakken vanuit het hoogste punt.	Trek licht aan de hefboom.
Tijdens het tillen klinkt er een pieptoon vanuit de bedieningseenheid en de motor stopt.	Max. belasting is overschreden.	Verminder de belasting (zodat de lift weer normaal functioneert).

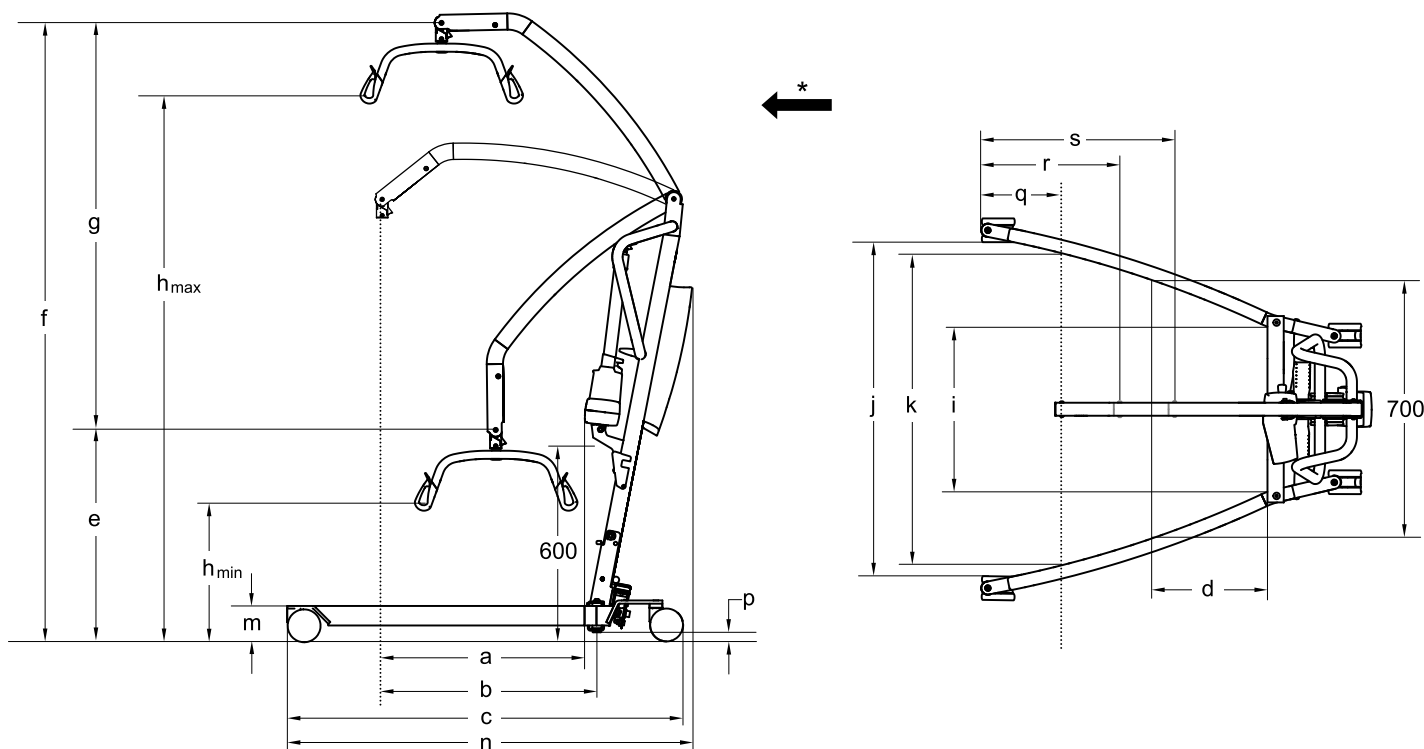
 Neem contact op met uw Invacare-leverancier als de problemen hiermee niet kunnen worden opgelost.

## 11 Technische Specificaties

### 11.1 Maximale veilige belasting

	Birdie® EVO	Birdie® EVO COMPACT	Birdie® EVO PLUS	Birdie® EVO XPLUS
Maximale veilige belasting (patiënt + tiljuk + draagband)	180 kg	150 kg	180 kg	210 kg

### 11.2 Afmetingen en gewichten




\* Voorwaartse richting

Afmetingen (mm)	Birdie® EVO		Birdie® EVO COMPACT		Birdie® EVO PLUS / XPLUS
Diameter voorste/achterste zwenkwiel	75 / 75	100 / 100	75 / 75	100 / 100	100 / 125
Max. reikwijdte op 600 mm (a)	630	630	530	530	630
Max. reikwijdte vanaf onderstel (b)	630	630	530	530	630
Lengte van onderstel (c)	1200	1220	1060	1080	1280
Totale lengte (n)	1250	1250	1100	1100	1280
Bereik vanaf onderstel met poten uitgeklaapt tot 700 mm (d)	225	225	420	420	225
Min. hoogte CSP*/laagste stand (e)	630	645	730	745	645
Max. hoogte CSP* (f)	1870	1885	1805	1820	1885
Tilbereik (g)	1240	1240	1060	1060	1240
Min. hoogte van draagbandbevestiging (h <sub>min</sub> )	400	415	515	530	415
Max. hoogte van draagbandbevestiging (h <sub>max</sub> )	1645	1660	1575	1590	1660
Totale breedte (poten uitgeklaapt) hart op hart van zwenkwielen (j)	1100	1100	890	890	1100
Totale breedte (poten uitgeklaapt), binnenmaat (j)	1040	1020	835	815	1020

Afmetingen (mm)	Birdie® EVO		Birdie® EVO COMPACT		Birdie® EVO PLUS / XPLUS
Totale breedte (poten ingeklapt), buitenmaat	640	640	520	520	640
Min. binnenbreedte (i)	495	495	380	380	495
Binnenbreedte bij maximale reikwijdte (k)	960	960	765	765	960
Draaidiameter	1400	1400	1070	1070	1430
Hoogte tot bovenrand van poten (m)	100	115	100	115	115
Min. vrije hoogte (p)	20	35	20	35	35
Minimale afstand van muur tot CSP* bij maximaal bereik (poten uitgeklaapt) (q)	245	245	210	210	245
Minimale afstand van muur tot CSP* bij maximale hoogte (poten uitgeklaapt) (r)	410	410	450	450	410
Minimale afstand van muur tot CSP* bij minimale hoogte (poten uitgeklaapt) (s)	615	615	395	395	615
Hoogte wanneer ingeklapt (alleen inklapbare versie)	455	470	455	470	470
Lengte wanneer ingeklapt (alleen inklapbare versie)	1300	1320	1190	1210	1360

\* CSP = Central Suspension Point (centraal ophangpunt)

 Alle afmetingen zijn gemeten met een 2-punts tiljuk van 450 mm.

Gewicht hoofdonderdelen (kg)			
	Birdie® EVO	Birdie® EVO COMPACT	Birdie® EVO PLUS / XPLUS
Totaal gewicht zonder tiljuk	40	31	41
Gewicht mast, met accu, zonder tiljuk	19	14	19
Gewicht deel voor handmatig uitklappen van poten	21	17	n.v.t.
Gewicht deel voor elektrisch uitklappen van poten	21	n.v.t.	22

Gewicht tiljuk (kg)	
2-punts tiljuk, 350 mm	1,3
2-punts tiljuk, 450 mm	1,4
2-punts tiljuk, 550 mm	1,6
4-punts tiljuk, 450 mm	2,8
4-punts tiljuk, 500 mm	2,9
4-punts tiljuk, 550 mm	3,0

### 11.3 Elektrisch systeem


	Birdie® EVO	Birdie® EVO COMPACT	Birdie® EVO PLUS / XPLUS
Uitgangsspanning	24 V DC, max. 250 VA		
Ingangsspanning	100 – 240 V AC, 50/60 Hz		
Maximale ingangsstroom	400 mA (voor CBJ1, CBJ2 en CBJ Care) / 280 mA (voor CBJ Home)	400 mA (voor CBJ2)/ 280 mA (voor CBJ Home)	400 mA (CBJ1 en CBJ Care)
Beveiligingsklasse (hele apparaat)	IPX4*		
Isolatieklasse	Klasse II-apparaat		

	Birdie® EVO	Birdie® EVO COMPACT	Birdie® EVO PLUS / XPLUS
Type B-apparaat	Toegepast onderdeel voldoet aan de opgegeven vereisten voor bescherming tegen elektrische schokken in overeenstemming met IEC60601-1.		
Geluidsniveau	45 – 50 dB (A)		
Werkvermogen	40 keer volledig tillen (met de accu tussen 100% - 50% van het volledige vermogen)		
Met onderbrekingen (periodieke motorfunctie)	10%, max. 2 min/18 min		
Specificaties accu	2 x 12 V/2,9 Ah		
Accutype	Loodzuur (onderhoudsvrij, afgesloten)		
Handmatig zakken in noodgevallen	Ja (onderaan de actuator)	Optioneel (bovenaan de actuator)	Ja (onderaan de actuator)
Elektrisch zakken/tillen in noodgevallen	Ja/ja (voor CBJ1 en CBJ Care) Ja/nee (voor CBJ2 en CBJ Home)	Ja/nee (voor CBJ2 en CBJ Home)	Ja/ja (CBJ1 en CBJ Care)

\*IPx4 - het systeem is beschermd tegen water dat vanuit een willekeurige richting tegen de onderdelen spat.

## 11.4 Voorwaarden voor de gebruiksomgeving

	Opslag en transport	Bediening
Temperatuur	-10 °C tot +50 °C	+5 °C tot +40 °C
Relatieve luchtvochtigheid	20% tot 90% bij 30 °C, niet-condenserend	
Atmosferische druk	800 hPa tot 1060 hPa	

 Laat het product voor gebruik op bedrijfstemperatuur komen:

- na opslag bij de minimumopslagtemperatuur kan het opwarmen tot de bedrijfstemperatuur meer dan 30 minuten duren.
- na opslag bij de maximumopslagtemperatuur kan het afkoelen tot de bedrijfstemperatuur meer dan 5 minuten duren.

## 11.5 Materialen

Onderdeel	Materiaal
Onderstel, poten, mast en hefboom	Staal met poedercoating
Tiljuk	Staal met poedercoating en TPU

Onderdeel	Materiaal
Behuizing actuator, handbediening, mastbeschermer, zwenkwielen en andere kunststof onderdelen	Materiaal volgens markering (PA, PP, PE)
Hefboomconnector, bouten en moeren	Staal, verzinkt

Alle onderdelen van het product zijn roestwerend of roestbestendig.

## 11.6 Duwkracht op bedieningselementen

Bedieningselement	Duwkracht
Knoppen op de bedieningseenheid	4 N
Knoppen op de handbediening	4 N
Voetpedaal bij zwenkwielen van 100 mm*	290 N
Hendel voor uitklappen van poten bij zwenkwielen van 100 mm	45 N
Hendel voor uitklappen van poten bij zwenkwielen van 75 mm	50 N

\* Als er zwenkwielen van 75 mm zijn aangebracht, is een hendel voor het uitklappen van de poten verplicht.

## 12 Elektromagnetische compatibiliteit (EMC)

### 12.1 Algemene informatie over EMC

Elektrische medische apparatuur moet worden geïnstalleerd en gebruikt in overeenstemming met de EMC-informatie in deze handleiding.

Tests hebben uitgewezen dat dit product voldoet aan de EMC-richtlijnen volgens IEC/EN 60601-1-2 voor apparatuur van klasse B.

Draagbare en mobiele RF-communicatieapparatuur kan de werking van dit product beïnvloeden.

Bij andere apparaten kan er al van interferentie sprake zijn bij zeer lage elektromagnetische straling, zelfs als wordt voldaan aan bovengenoemde richtlijnen. Om te kunnen bepalen of emissie uit dit product de oorzaak is van de interferentie, schakelt u het product in en weer uit. Als er bij uitschakeling van dit product geen interferentie meer optreedt, is het product de oorzaak van de interferentie. In dit soort zeldzame gevallen kunt u het volgende doen om de interferentie te verminderen of te stoppen:

- Draai of verplaats het product, of vergroot de afstand tussen de apparaten.

### 12.2 Elektromagnetische straling

#### Richtlijn en verklaring van de fabrikant

Dit product is bedoeld voor gebruik in een elektromagnetische omgeving zoals hieronder aangegeven. De klant of de gebruiker van dit product moet zeker stellen dat dit in een dergelijke omgeving wordt gebruikt.

RF-emisietest	Naleving	Elektromagnetische omgeving – richtlijn
RF-emissies CISPR 11	Groep I	Dit product gebruikt elektromagnetische energie uitsluitend voor de interne functies. Daardoor zijn de RF-emissies zeer laag en veroorzaken deze hoogstwaarschijnlijk geen interferentie in nabije apparaten.
RF-emissies CISPR 11	Klasse B	Dit product is geschikt voor gebruik in alle situaties, inclusief thuisituaties en overal waar het openbare laagspanningsnet de stroom levert voor huishoudelijke doeleinden.
Harmonische emissies IEC 61000-3-2	Klasse A	
Spannings- fluctuaties/ flikker- emissies IEC 61000-3-3	Voldoet	


### 12.3 Elektromagnetische immuuniteit


#### Richtlijn en verklaring van de fabrikant

Dit product is bedoeld voor gebruik in een elektromagnetische omgeving zoals hieronder aangegeven. De klant of de gebruiker van dit product moet zeker stellen dat dit in een dergelijke omgeving wordt gebruikt.

Immuuniteitstest	Testniveau/ mate van overeenkomst	Elektromagnetische omgeving– richtlijn
Elektrostatische ontlading (ESD) IEC 61000-4-2	± 8 kV contact ± 2 kV, ± 4 kV, ± 8 kV, ± 15 kV lucht	Vloeren moeten van hout, beton of tegels zijn. Als vloeren zijn bekleed met synthetische vloerbedekking, moet de relatieve vochtigheid minstens 30% bedragen.
Elektrostatische transiënt/ burst IEC 61000-4-4	± 2 kV voor stroomtoevoerkabels; 100 kHz herhaalfrequentie ± 1 kV voor input-/outputkabels; 100 kHz herhaalfrequentie	De kwaliteit van de netstroom moet overeenkomen met die van een commerciële omgeving of ziekenhuisomgeving.
Overspanning IEC 61000-4-5	± 1 kV kabel naar kabel ± 2 kV kabel naar aarde	De kwaliteit van de netstroom moet overeenkomen met die van een commerciële omgeving of ziekenhuisomgeving.



Immunitiestest	Testniveau/ mate van overeenkomst	Elektromagnetische omgeving- richtlijn
Spanningsdips, korte onderbrekingen en spanningsvariaties op stroomtoevoerkabels IEC 61000-4-11	<p>&lt; 0% <math>U_T</math> gedurende 0,5 cyclus in stappen van 45°</p> <p>0% <math>U_T</math> gedurende 1 cyclus</p> <p>70% <math>U_T</math> gedurende 25/30 cycli</p> <p>&lt; 5% <math>U_T</math> gedurende 250/300 cycli</p>	<p>De kwaliteit van de netstroom moet overeenkomen met die van een commerciële omgeving of ziekenhuisomgeving. Als de gebruiker van dit product continue beschikbaarheid vereist gedurende netspanningsonderbrekingen, wordt aangeraden het product van voeding te voorzien met een noodstroomvoorziening (UPS, Uninterruptable Power Supply) of een accu.</p> <p><math>U_T</math> is de netspanning vóór toepassing van de test.</p>
Magnetisch veld van netstroomfrequentie (50/60 Hz) IEC 61000-4-8	30 A/m	Magnetische velden van de netspanningsfrequentie moeten op een niveau liggen dat kenmerkend is voor een typische commerciële omgeving of ziekenhuisomgeving.
Geleidings-RF IEC 61000-4-6  Stralings-RF IEC 61000-4-3	<p>3 V 150 kHz - 80 Mhz</p> <p>6 V binnen bandbreedtes voor ISM en amateurradio</p> <p>10 V/m 80 Mhz - 2,7 GHz</p> <p>Zie tabel 9 van IEC 60601-1-2:2014 voor specificaties van de 385 MHz - 5785 MHz-test met betrekking tot immuniteit voor draadloze RF-communicatie-apparatuur.</p>	<p>De veldsterkte van vaste zenders, zoals basisstations voor draadloze telefonie, mobilofoons, amateurzenders, AM- en FM-radiozenders en tv-zenders kunnen theoretisch niet nauwkeurig worden voorspeld. Om de invloed van vaste RF-zenders op de elektromagnetische omgeving te bepalen, moet een elektromagnetisch veldonderzoek worden overwogen. Indien de gemeten veldsterkte op de locatie waar het product wordt gebruikt de eerdergenoemde toegestane elektromagnetische waarden overstijgt, moet dit product worden geobserveerd om normaal functioneren vast te stellen. Als abnormaal functioneren wordt geconstateerd, zijn wellicht extra maatregelen nodig, zoals het verdraaien of verplaatsen van het product.</p> <p>Interferentie kan optreden in de nabijheid van apparatuur met het volgende symbool: </p> <p>Houd draagbare en mobiele RF-communicatieapparatuur op ten minste 30 cm van de onderdelen van dit product (inclusief kabels).</p>

 Deze richtlijnen zijn mogelijk niet in alle omstandigheden van toepassing. Elektromagnetische straling wordt beïnvloed door absorptie en reflectie van gebouwen, objecten en mensen.



# Índice

Este manual TEM de ser fornecido ao utilizador do produto. ANTES de utilizar este produto, este manual DEVE ser lido e guardado para referência futura.

<b>1 Geral</b>	<b>204</b>
1.1 Introdução	204
1.1.1 Símbolos utilizados neste manual	204
1.2 Vida útil	204
1.2.1 Informações adicionais	204
1.3 Limitação de responsabilidade	204
1.4 Informações da garantia	204
1.5 Conformidade	204
1.5.1 Normas específicas do produto	204
<b>2 Segurança</b>	<b>205</b>
2.1 Informações gerais de segurança	205
2.1.1 Pontos de pressão	206
2.2 Informações de segurança sobre os acessórios	206
2.3 Informação de segurança sobre a interferência eletromagnética	206
2.4 Rótulos e símbolos no produto	207
2.4.1 Localização das etiquetas	207
2.4.2 Placa de características	207
2.4.3 Outros símbolos	207
<b>3 Descrição geral do produto</b>	<b>209</b>
3.1 Utilização prevista	209
3.2 Principais peças do elevador	209
3.3 Acessórios	209
<b>4 Configuração</b>	<b>211</b>
4.1 Informações gerais de segurança	211
4.2 Material incluído na entrega	211
4.3 Instalar o mastro	211
4.3.1 Desdobrar o mastro	211
4.3.2 Montar o mastro na base	212
4.4 Abrir a barra de suporte	212
4.5 Instalar o atuador no braço	213
4.6 Instalação da alavanca para abertura das pernas manual	213
4.7 Reposição do indicador de assistência	213
<b>5 Utilização</b>	<b>215</b>
5.1 Informações gerais de segurança	215
5.2 Bloquear/Desbloquear os rodízios traseiros	215
5.3 Levantar/Baixar o elevador eléctrico	215
5.4 Fechar/Abrir as pernas do elevador	215
5.4.1 Fechar/Abrir as pernas eléctricas do elevador	215
5.4.2 Fechar/abrir as pernas do elevador manualmente	215
5.5 Substituir a barra de suporte	216
5.6 Funções de emergência	216
5.6.1 Realizar uma paragem de emergência	216
5.6.2 Ativação de um abaixamento de emergência (unidade de controlo CBJ-Home)	216
5.6.3 Ativação de um abaixamento de emergência (unidade de controlo CBJ Care, CBJ1, CBJ2)	216
5.6.4 Ativação de um levantamento de emergência (unidade de controlo CBJ Care, CBJ1)	216
5.6.5 Ativação de um abaixamento de emergência mecânico	216
5.7 Carregar a bateria	217
5.7.1 Unidade de controlo CBJ-Home	217
5.7.2 Unidade de controlo CBJ Care, CBJ1, CBJ2	217
5.7.3 Comando opcional	218
5.7.4 Carregador da bateria opcional	218
<b>6 Transferência do paciente</b>	<b>220</b>
6.1 Informações gerais de segurança	220
6.2 Preparar o levantamento	220
6.2.1 Fixar a cesta ao elevador de transferência	221
6.3 Transferir um paciente a partir de uma cama	222
6.4 Transferir um paciente para uma cama	223
6.5 Transferir o paciente de uma cadeira de rodas	223
6.6 Transferir o paciente para uma cadeira de rodas	223
6.7 Transferir um paciente para e de uma sanita	224
6.8 Levantar um paciente a partir do chão	225
<b>7 Transporte e armazenamento</b>	<b>226</b>
7.1 Informações gerais	226
7.2 Desmontar o mastro da base	226
7.3 Dobrar o mastro	226
7.4 Extensão do mastro para posicionamento vertical	226
<b>8 Manutenção</b>	<b>227</b>
8.1 Informações gerais sobre manutenção	227
8.2 Inspeções diárias	227
8.3 Limpeza e desinfeção	227
8.3.1 Informações gerais de segurança	227
8.3.2 Intervalos de limpeza	227
8.3.3 Instruções de limpeza	228
8.3.4 Instruções de desinfeção	228
8.4 Intervalo para manutenção	228
<b>9 Após a utilização</b>	<b>229</b>
9.1 Eliminação	229
9.2 Recondicionamento	229
<b>10 Resolução de problemas</b>	<b>230</b>
10.1 Identificar falhas e soluções possíveis	230
<b>11 Características Técnicas</b>	<b>231</b>
11.1 Carga útil máxima	231
11.2 Dimensões e pesos	231
11.3 Sistema eléctrico	232
11.4 Condições ambientais	233
11.5 Materiais	233
11.6 Forças de funcionamento dos controlos	233
<b>12 Compatibilidade eletromagnética (EMC)</b>	<b>234</b>
12.1 Informações gerais sobre compatibilidade eletromagnética (EMC)	234
12.2 Emissões eletromagnéticas	234
12.3 Imunidade eletromagnética	234

# 1 Geral

## 1.1 Introdução

Este manual de utilização contém informações importantes sobre o manuseamento do produto. Para garantir a segurança durante a utilização do produto, leia atentamente o manual de utilização e siga as instruções de segurança.

Tenha em atenção que este documento pode conter secções não aplicáveis ao seu produto, uma vez que se refere a todos os modelos disponíveis (à data da impressão). Salvo menção em contrário, cada secção deste documento refere-se a todos os modelos do produto.

As configurações e os modelos disponíveis no seu país podem ser encontrados em documentos de venda específicos do país.

A Invacare reserva-se o direito de alterar as especificações do produto sem aviso prévio.

Antes de ler este documento, certifique-se de que tem a versão mais recente. A versão mais recente está disponível no site da Invacare, em formato PDF.

Se o tamanho do tipo de letra no documento impresso for difícil de ler, pode transferir uma versão em PDF do manual a partir do site. A imagem do PDF pode ser ajustada no ecrã para um tamanho de tipo de letra que lhe seja mais cómodo.

Para obter mais informações sobre o produto, por exemplo, avisos de segurança de produtos e retiradas de produtos do mercado, contacte o seu representante da Invacare. Consulte os endereços no final deste documento.

Em caso de incidente grave com o produto, deve informar o fabricante e as autoridades competentes do seu país.

### 1.1.1 Símbolos utilizados neste manual

Neste manual, as advertências são indicadas por símbolos. Os símbolos de advertência são acompanhados por um cabeçalho que indica a gravidade do perigo.



#### ADVERTÊNCIA

Indica uma situação perigosa que, se não for evitada, poderá resultar em morte ou em lesões graves.



#### CUIDADO

Indica uma situação perigosa que, se não for evitada, poderá resultar em lesões menores ou ligeiras.



#### IMPORTANTE

Indica uma situação perigosa que, se não for evitada, poderá resultar em danos à propriedade.



#### Sugestões e recomendações

Sugestões, recomendações e informações úteis para uma utilização eficiente e sem problemas.

## 1.2 Vida útil

A vida útil prevista deste produto é de oito anos, quando o mesmo é utilizado diariamente e em conformidade com

as instruções de segurança, intervalos de manutenção e utilização correcta indicados neste manual. A vida útil efectiva pode variar de acordo com a frequência e intensidade de utilização.

### 1.2.1 Informações adicionais

A vida útil esperada baseia-se numa média estimada de 4 ciclos de elevação por dia.

## 1.3 Limitação de responsabilidade

A Invacare não aceita a responsabilidade por danos decorrentes de:

- Incumprimento das instruções presentes no manual de utilização
- Utilização incorreta
- Desgaste natural devido ao uso
- Montagem ou preparação incorreta pelo comprador ou por terceiros
- Modificações técnicas
- Modificações não autorizadas e/ou utilização de peças sobressalentes desadequadas

## 1.4 Informações da garantia

Facultamos uma garantia de fabrico para o produto, em conformidade com os nossos Termos e Condições Gerais de Compra nos respetivos países.

As reclamações de garantia só podem ser realizadas através do fornecedor ao qual o produto foi adquirido.

## 1.5 Conformidade

A qualidade é fundamental para o funcionamento da empresa, estando em conformidade com a norma ISO 13485.

Este produto apresenta a marca CE, em conformidade com o Regulamento de dispositivos médicos 2017/745, Classe 1. A data de lançamento deste produto é indicada na declaração de conformidade CE.

Temos empreendido um esforço contínuo para reduzir ao mínimo o impacto local e global da empresa no ambiente.

Apenas utilizamos materiais e componentes que cumprem a diretiva REACH.

Cumprimos as legislações vigentes em matéria ambiental, nomeadamente, as diretivas REEE e RoHS.

### 1.5.1 Normas específicas do produto

O produto foi testado e está em conformidade com a norma ISO 10535 (Dispositivos de levantamento para a transferência de pessoas deficientes) e com todas as normas relacionadas.

Para obter informações adicionais sobre as normas e os regulamentos locais, contacte o representante local da Invacare. Consulte os endereços no final deste documento.

## 2 Segurança

### 2.1 Informações gerais de segurança

Esta secção do manual contém informações de segurança gerais sobre o produto. Para obter informações de segurança específicas, consulte a secção adequada do manual e os procedimentos incluídos nessa secção.



#### ADVERTÊNCIA!

##### Risco de lesões ou danos

- Não utilize este produto ou qualquer equipamento opcional disponível sem primeiro ler e compreender estas instruções e todo o material de instrução adicional, assim como os manuais de utilização ou os folhetos de instruções fornecidos com este produto ou com equipamento opcional. Se não compreender as advertências, os avisos ou as instruções, contacte um profissional de cuidados de saúde, um técnico qualificado ou um fornecedor Invacare antes de tentar utilizar este produto.
- Não faça quaisquer modificações nem alterações não autorizadas ao produto.



#### ADVERTÊNCIA!

##### A carga útil máxima não pode ser ultrapassada.

- Não exceda a carga útil máxima deste produto ou dos acessórios utilizados como cestas, barras de suporte, etc. Consulte a documentação ou a etiquetagem para informações sobre a carga útil máxima declarada.
- O componente com o limite de carga mais baixo determina a carga útil máxima de todo o sistema.



#### ADVERTÊNCIA!

##### Risco de lesões ou danos

- A utilização incorreta deste produto pode causar lesões ou danos.
- Não tente qualquer transferência sem a aprovação do profissional de cuidados de saúde do paciente.
  - Leia as instruções incluídas neste manual de utilização e veja como o pessoal formado realiza os procedimentos de transferência. Em seguida, pratique as transferências sob supervisão e com uma pessoa capaz de fazer de paciente.
  - Devem ser tomadas precauções especiais com pessoas com incapacidades que não podem cooperar ao serem transferir.
  - Não utilize o elevador de transferência como um dispositivo de transporte. Destina-se à transferência de um indivíduo de uma superfície de repouso para outra.



#### ADVERTÊNCIA!

##### Risco de lesões ou danos

- O manuseamento incorreto dos cabos pode causar choque elétrico e falha de produto.
- Não dobre, corte nem danifique de outro modo os cabos do produto.
  - Certifique-se de que nenhum cabo fica preso ou é danificado durante a utilização do produto.
  - Certifique-se de que a cablagem é a correta e as ligações estão em boas condições.
  - Não utilize equipamento não autorizado.



#### ADVERTÊNCIA!

##### Risco de lesões ou danos

- A humidade em excesso danifica o produto e pode causar choque elétrico.
- O elevador de transferência pode ser utilizado na área da banheira ou chuveiro, mas NÃO pode ser utilizado por baixo do chuveiro. O paciente deve ser transferido para uma cadeira de duche ou utilizar outros meios para tomar duche.
  - Se o elevador de transferência for utilizado num ambiente húmido, certifique-se de que limpa qualquer vestígio de humidade do elevador após a utilização.
  - Não ligue nem desligue o cabo de alimentação num ambiente de humidade ou com as mãos húmidas.
  - Não armazene o produto numa área húmida ou em condições de humidade.
  - Verifique periodicamente se todos os componentes do produto apresentam sinais de corrosão ou danos. Substitua as peças corroídas ou danificadas.
  - Consulte a secção *11.4 Condições ambientais*, página 233



#### ADVERTÊNCIA!

##### Risco de lesões ou danos

- As fontes de ignição podem causar queimaduras ou incêndio.
- A transferência do paciente deve ser realizada tendo um espaço de segurança entre o elevador de transferência e possíveis fontes de ignição (aquecedor, fogão, lareira, etc.).
  - O paciente e os assistentes não devem fumar durante a transferência.
  - A cesta não deve ser colocada sobre fontes de calor (aquecedor, fogão, lareira, etc.).



#### ADVERTÊNCIA!

##### Risco de lesões ou danos

- Para evitar lesões ou danos durante a utilização do produto:
- É necessária estreita supervisão quando o produto é utilizado perto de crianças ou animais de estimação.
  - Não deixe as crianças brincarem com o produto.

**ATENÇÃO!****Risco de lesões ou danos**

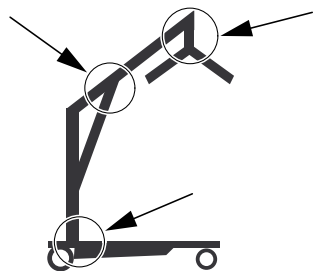
O produto pode ficar quente quando está exposto à luz do sol ou a outras fontes de calor.

- Não exponha o produto à luz solar direta durante períodos prolongados.
- Mantenha o produto longe de fontes de calor.

**IMPORTANTE!**

A acumulação de algodão, pó e outro tipo de sujidade pode danificar o produto.

- Mantenha o produto limpo.

**2.1.1 Pontos de pressão****ADVERTÊNCIA!****Risco de lesões**

Os pontos de pressão estão presentes em vários locais do elevador e existe o risco de entalar os dedos.

- Mantenha sempre as mãos e os dedos afastados das peças em movimento.

**2.2 Informações de segurança sobre os acessórios****ATENÇÃO!****Risco de lesão**

Acessórios não originais ou incorretos podem afetar o funcionamento e a segurança deste produto.

- Devido a diferenças regionais, consulte o catálogo ou o site local da Invacare para obter detalhes sobre os acessórios disponíveis ou contacte o seu fornecedor Invacare.
- Consulte o manual que acompanha o acessório para obter informações e instruções adicionais.
- Utilize apenas acessórios originais para o produto em utilização. Em algumas circunstâncias, a utilização de cestas de outro fabricante é possível. Consulte informações adicionais nesta secção.
- Antes de distribuir equipamento de elevação, deve ser sempre realizada uma avaliação de riscos por um profissional qualificado. É importante que a Tarefa, o Indivíduo, a Carga, o Ambiente e o Equipamento sejam considerados na avaliação dos riscos.
- Escolha sempre um design e tamanho de cesta de acordo com o peso, o tamanho e a capacidade física do paciente, levando em consideração o tipo de transferências a ser realizado.

**ATENÇÃO!****Compatibilidade das cestas com o sistema de fixação**

A Invacare utiliza um sistema de fixação comum baseado em presilhas e ganchos. As presilhas das cestas são presas aos ganchos das barras de suporte (estilo cabide). Como tal, as cestas adequadas de outros fabricantes também podem ser utilizadas neste elevador.

- Utilize apenas cestas com fixações de presilhas adequadas para barras de suporte (estilo cabide) com ganchos.
- Não utilize cestas concebidas para "Sistemas de fixação de orifício ou clipe" ou "Sistemas de chassis reclinável".

**2.3 Informação de segurança sobre a interferência eletromagnética****ADVERTÊNCIA!****Risk of malfunction due to electromagnetic interference**

Podem ocorrer interferências eletromagnéticas entre este produto e outros equipamentos elétricos que podem afetar as funções de regulação elétrica deste produto. Para evitar, reduzir ou eliminar as interferências eletromagnéticas:

- Utilize apenas cabos, acessórios e peças sobressalentes originais para não aumentar as emissões eletromagnéticas nem reduzir a imunidade eletromagnética deste produto.
- Não utilize equipamentos de comunicações de radiofrequência (RF) portáteis a uma distância inferior a 30 cm de qualquer parte deste produto (incluindo cabos).
- Não utilize este produto perto de equipamento cirúrgico ativo de alta frequência, nem de uma sala de imagiologia por ressonância magnética com blindagem de RF, onde a intensidade das perturbações eletromagnéticas é alta.
- Se ocorrerem perturbações, aumente a distância entre este produto e o outro equipamento ou desligue o equipamento.
- Consulte as informações detalhadas e siga a orientação no capítulo 12 *Compatibilidade eletromagnética (EMC)*, página 234

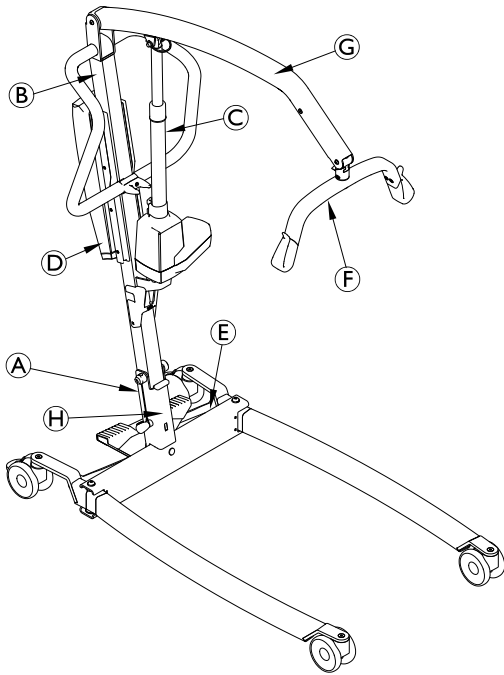
**ADVERTÊNCIA!****Risco de avaria**

A interferência eletromagnética pode causar problemas de funcionamento.

- Não utilize este produto ao lado de ou empilhado com equipamento elétrico adicional. Se tiver de o fazer, este produto e o equipamento adicional terão de ser observados de perto para confirmar se estão a funcionar normalmente.

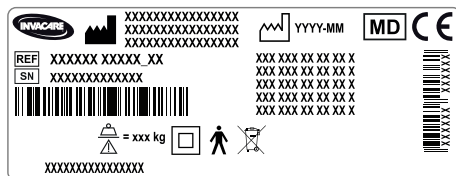
## 2.4 Rótulos e símbolos no produto

### 2.4.1 Localização das etiquetas



(A)	Etiqueta com identificação
(B)	Ler a etiqueta do manual de utilização
(C)	Etiqueta de advertência no atuador
(D)	Etiqueta de anulação da garantia – apenas nas unidades de controlo CBJ1 e CBJ2
(E)	Etiqueta de condições ambientais e peso total máximo
(F)	Carga útil da barra de suporte
(G)	Nome e carga útil do elevador de transferência – o texto varia consoante o modelo
(H)	Carga útil do elevador de transferência – o texto varia consoante o modelo (apenas com mastro fixo)

### 2.4.2 Placa de características



A etiqueta com identificação contém as principais informações do produto, incluindo dados técnicos.

#### Símbolos

<b>SN</b>	Número de série
<b>REF</b>	Número de referência

	Fabricante
	Data de fabrico
	Carga funcional de segurança máxima
	Equipamento de classe II
	Peça aplicada de tipo B
	Em conformidade com a diretiva REEE
	Conformidade Europeia
	Dispositivo médico



Abreviaturas dos dados técnicos:

- lin = Corrente de entrada
- Uin = Tensão de entrada
- Int. = Intermitência
- AC = Corrente alterna
- Max = máximo
- min = minuto

Para obter mais informações sobre dados técnicos, consulte o capítulo 11 *Características Técnicas*, página 231

### 2.4.3 Outros símbolos

	Consulte o Manual de utilização
	Peso total do produto com a carga útil máxima aplicada
	Não utilize o atuador como uma barra de empurrar
	Não o remova A garantia será anulada se o remover ou partir
	Limite de temperatura
	Limite de humidade
	Limite de pressão atmosférica

	Condições de transporte e armazenamento
	Condições de funcionamento



## 3 Descrição geral do produto

### 3.1 Utilização prevista

O elevador de transferência móvel é um dispositivo de transferência alimentado a bateria e destina-se a transferir e posicionar um indivíduo de uma superfície de repouso para outra. Por exemplo:

- Entre a cama e uma cadeira de rodas
- De e para a sanita
- Para levantar e baixar pacientes de e para o chão

A carga útil máxima é indicada na secção 11 *Características Técnicas*, página 231

O elevador de transferência móvel foi concebido para utilização no interior num nível de superfície em hospitais, casas de repouso e áreas domésticas. O elevador de transferência móvel pode ser girado (rodado) quando estiver posicionado para transferências em espaços limitados.

O operador deste produto deve ser um profissional de cuidados de saúde ou um indivíduo que recebeu a formação adequada.

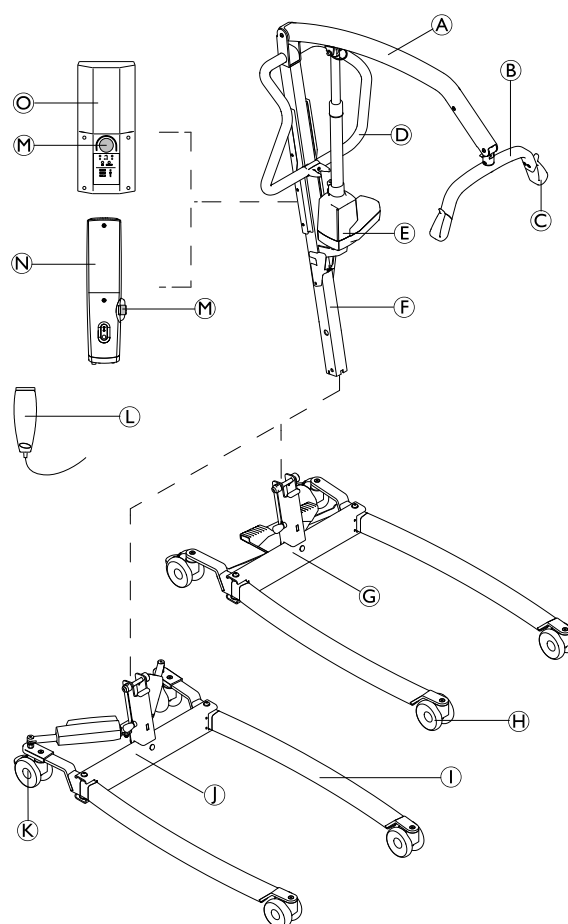
### Indicações

O elevador de transferência móvel é indicado para pacientes total ou parcialmente imobilizados, que não podem ser transferidos com outros tipos de elevador ou auxiliares de transferência.

Todas as alterações de posição são possíveis sem a assistência do paciente.

Não existem nenhuma contraindicações conhecidas para este produto.

### 3.2 Principais peças do elevador



(A)	Braço
(B)	Barra de suporte – com ou sem SMARTLOCK™
(C)	Gancho para a cesta
(D)	Barra de empurrar
(E)	Atuador de elevação
(F)	Mastro – dobrável ou fixo
(G)	Base com pedal para abertura das pernas manual
(H)	Rodízios dianteiros
(I)	Perna
(J)	Base com atuadores para abertura das pernas elétrica — com ou sem tampas de atuador
(K)	Rodízios traseiros com travão
(L)	Comando
(M)	Paragem de emergência
(N)	Unidade de controlo CBJ-Home com bateria integrada
(O)	Unidade de controlo CBJ Care, CBJ1 ou CBJ2 com bateria removível

### 3.3 Acessórios

- i** Devido a diferenças regionais, consulte o catálogo ou o site local da Invacare para obter detalhes sobre os acessórios disponíveis ou contacte o seu fornecedor Invacare.

- Barra de suporte de 4 pontos (estilo cabide), com 450, 500 ou 550 mm de largura
- Barra de suporte de 2 pontos (estilo cabide), com 350, 450 ou 550 mm de largura
- Balança a ser montada com a barra de suporte
- Alavanca para abertura das pernas manual
- Carregador de parede para uma bateria removível
- Bateria extra
- Coberturas de proteção para as pernas
- Enchimento para a barra de suporte

Os modelos de cesta com fixações de presilha, adequados para barras de suporte (estilo cabide) com ganchos:

- Cestas de suporte de corpo completo - sem apoio de cabeça
- Cestas de suporte de corpo completo - com apoio de cabeça
- Cestas para vestir/sanitárias - com ou sem apoio de cabeça
- Cestas para amputados

## 4 Configuração

### 4.1 Informações gerais de segurança



#### ADVERTÊNCIA!

- Verifique todas as peças antes da utilização para conferir se ocorreram danos no transporte.
- Em caso de danos, não utilize o equipamento. Contacte o seu fornecedor Invacare para obter instruções adicionais.



#### ADVERTÊNCIA!

##### Risco de lesões

A montagem incorreta deste produto pode causar lesões ou danos.

- Utilize apenas peças da Invacare na montagem deste elevador de transferência.
- Após cada montagem, verifique se os encaixes estão devidamente apertados e se todas as peças funcionam corretamente.
- Não aperte excessivamente as ferragens de fixação. Se o fizer, poderá danificar os suportes de montagem.

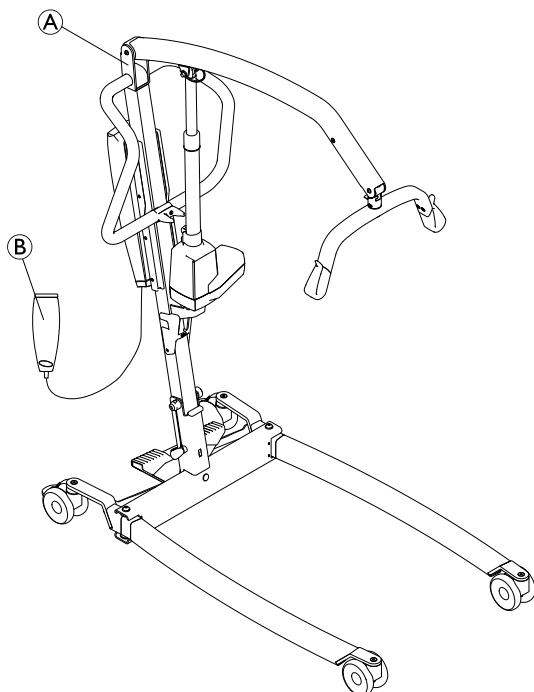


Não são necessárias ferramentas para montar o elevador de transferência.

Se surgir algum problema ou questão durante a montagem, contacte o seu fornecedor Invacare.

### 4.2 Material incluído na entrega

Os itens incluídos na embalagem variam consoante os modelos e as configurações disponíveis no seu país. Consulte a secção 1.1 *Introdução*, página 204



(A)	Elevador – incl. base, mastro, braço, barra separador, unidade de controlo e atuadores <ul style="list-style-type: none"> <li>• com mastro dobrável (1 unidade)</li> <li>• com mastro fixo (2 unidades) – base como uma peça separada</li> </ul>
(B)	Comando (1 unidade)
	Cabo de alimentação (1 unidade)
	Manual de utilização (1 unidade)
	Bateria (1 unidade)* – Apenas CBJ Care, CBJ1 e CBJ2
	Alavanca para abertura das pernas manual (1 unidade)*
	Cesta (1 unidade)*

\* Depende do modelo e/ou da configuração



Se o elevador for entregue com uma cesta, consulte o manual de utilização da cesta para instruções de uso, aplicação, manutenção e lavagem.

### 4.3 Instalar o mastro

#### 4.3.1 Desdobrar o mastro

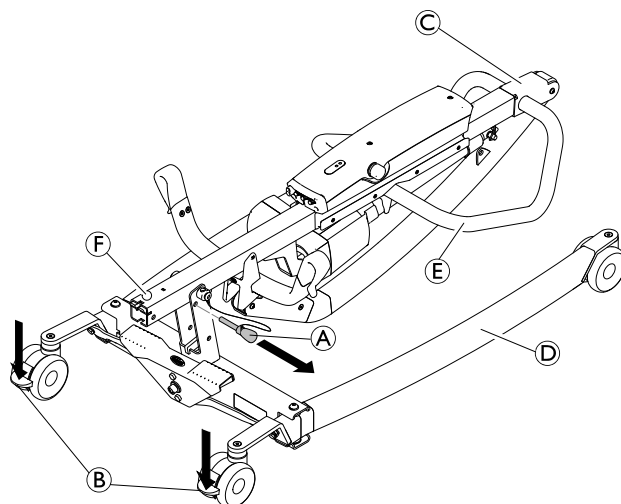
(apenas mastro dobrável)



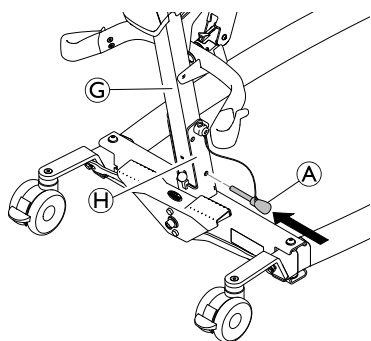
#### ADVERTÊNCIA!

- O mastro pode ser dobrado para armazenamento ou transporte. De cada vez que o mastro for dobrado, DEVE ser devidamente preso à unidade da base.
- Verifique todas as peças, procurando defeitos ou danos visíveis antes da montagem. Em caso de quaisquer danos, não utilize o produto e contacte o seu fornecedor Invacare.
- Certifique-se de que a paragem de emergência está ativada antes da montagem ou desmontagem.
- Tome cuidado quando levantar componentes durante a montagem. Algumas peças são pesadas. Lembre-se sempre de adotar a posição de levantamento correta.

Realize a operação de desembalagem e montagem ao nível do chão.



1. Bloqueie ambos os rodízios traseiros ②. Retire o pino de bloqueio ①.
2. Levante a unidade do mastro ③ para uma posição vertical pousando um pé na perna ④ e puxando a barra de empurrar ⑤ para cima até o gancho de segurança ⑥ encaixar no lugar.
- 3.



Volte a inserir o pino de bloqueio ① pelo mastro ③ e a base ④. Certifique-se de que o pino de bloqueio está corretamente inserido.

### 4.3.2 Montar o mastro na base

(apenas mastro fixo)



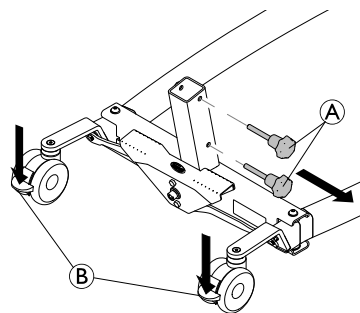
#### ADVERTÊNCIA!

#### Risco de lesões ou danos

A carga útil máxima indicada no braço e na base deve ser idêntica.

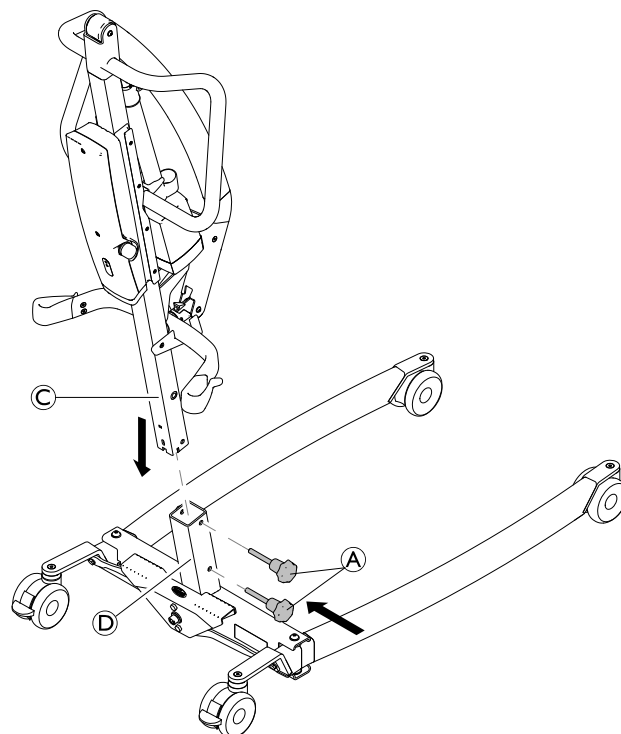
- Compare sempre os valores da carga útil máxima indicados na base e no braço.

1.



Bloqueie ambos os rodízios traseiros ② e rode os parafusos de rosca ① no sentido contrário ao dos ponteiros do relógio para os retirar da base.

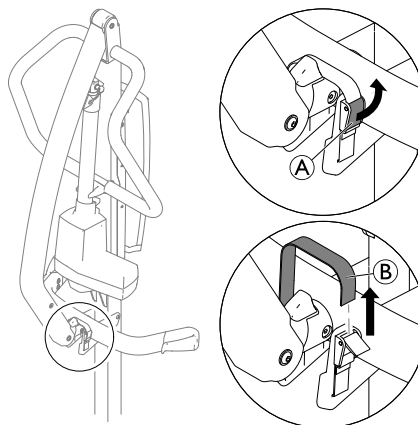
2.



Com o braço a apontar para a frente, baixe o mastro ③ encaixando-o no suporte da base ④ e reinstale os parafusos de rosca ① para fixar o mastro ③ à base.

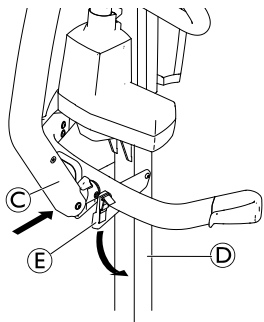
### 4.4 Abrir a barra de suporte

1.



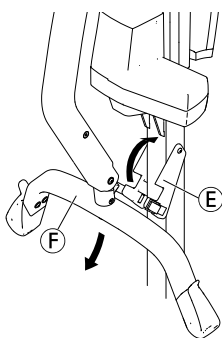
Abra o fecho ① e retire a banda ② da fivela de fixação.

2.



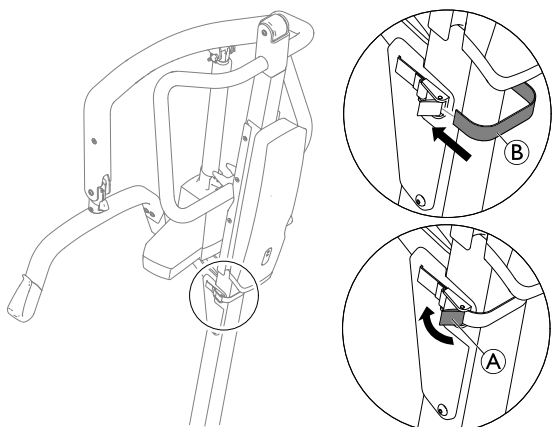
Pressione o braço C contra o mastro D e rebata o suporte da barra de suporte E.

3.



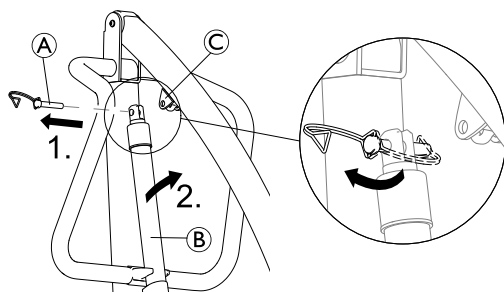
Rebata a barra de suporte F e o suporte da barra de suporte E.

4.

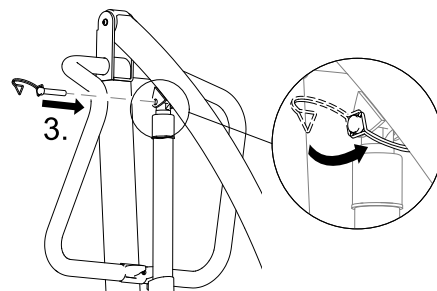


Enrole a banda B à volta do mastro, insira-a na fivela de fixação e feche o fecho A.

#### 4.5 Instalar o atuador no braço



1. Solte o clipe em forma de D e retire o pino A do atuador B.
2. Retire o atuador B do suporte do mastro e fixe-o ao suporte de montagem do braço C.
- 3.



Alinhe os orifícios e reinstale o pino A. Certifique-se de que o pino está completamente inserido e fixe-o com o clipe em forma de D.



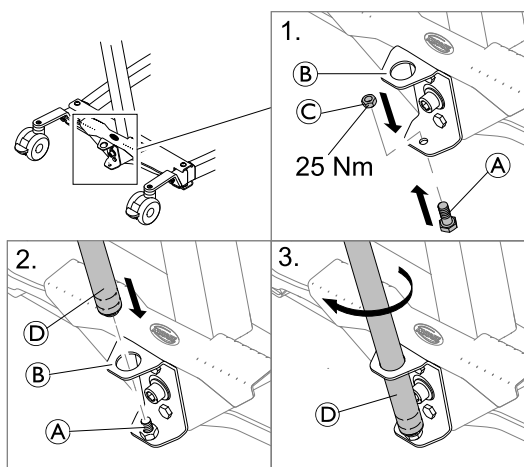
#### IMPORTANTE

Devido às cargas mais elevadas, o modelo Birdie® EVO XPLUS exige um pino mais comprido.  
 – Utilize apenas o modelo Birdie® EVO XPLUS com o pino mais comprido, indicado por um clipe em forma de D preto.

#### 4.6 Instalação da alavanca para abertura das pernas manual



Chave de 2 x 13 mm



1. Insira o parafuso A no orifício inferior do suporte B pela parte de baixo e fixe-o com a porca C. 25 Nm
2. Insira a extremidade roscada da alavanca D no orifício superior do suporte B no parafuso fixo A.
3. Rode a alavanca D no sentido dos ponteiros do relógio para a enroscar ao parafuso.

#### 4.7 Reposição do indicador de assistência

(apenas a unidade de controlo CBJ Care)



#### IMPORTANTE!

Se a luz de assistência estiver a piscar a amarelo durante a utilização diária ou após uma nova montagem, o elevador de transferência necessita de assistência.  
 – Contacte o fornecedor Invacare para solicitar manutenção.

Depois da montagem inicial do elevador de transferência, o indicador de assistência necessita de ser repostado antes de utilizar o elevador de transferência.

Para realizar uma reposição inicial do indicador de assistência:

1. Localize o comando.
2. Prima e mantenha premido o botão PARA CIMA e o botão PARA BAIXO ao mesmo tempo, durante cinco segundos.
3. Quando o indicador de assistência for repostado ouve-se um som.

## 5 Utilização

### 5.1 Informações gerais de segurança



#### ADVERTÊNCIA!

##### Risco de lesão ou danos

Antes de utilizar o elevador de transferência com um paciente, consulte as seguintes informações e instruções de segurança:

- 2 Segurança, página 205
- 6 Transferência do paciente, página 220

### 5.2 Bloquear/Desbloquear os rodízios traseiros

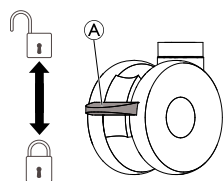


#### ADVERTÊNCIA!

##### Risco de lesões ou danos

O elevador pode tombar e colocar o paciente e os assistentes em perigo.

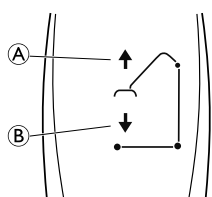
- A Invacare recomenda que os rodízios traseiros permaneçam desbloqueados durante os procedimentos de elevação, para permitir que o elevador de transferência estabilize quando o paciente for elevado inicialmente de uma cadeira, cama ou objeto estacionário.
- A Invacare recomenda o bloqueio dos rodízios traseiros do elevador apenas quando posicionar ou remover a cesta à volta do paciente.



- Para bloquear o rodízio, carregue no pedal (A) com o pé.
- Para desbloquear o rodízio, levante o pedal (A) com o pé.

### 5.3 Levantar/Baixar o elevador eléctrico

O comando é utilizado para levantar ou baixar o elevador.



1. Para levantar o elevador — prima e mantenha premido o botão PARA CIMA (A) para elevar a viga e o paciente.
2. Para baixar o elevador — prima e mantenha premido o botão PARA BAIXO (B) para baixar a viga e o paciente.



Solte o botão para levantar ou baixar o elevador.

### 5.4 Fechar/Abrir as pernas do elevador



#### ADVERTÊNCIA!

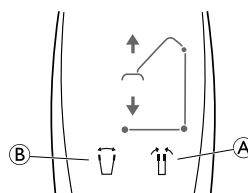
##### Risco de lesões

O elevador pode tombar e colocar o paciente e os assistentes em perigo.

- As pernas do elevador devem estar na posição mais aberta para garantir a máxima estabilidade e segurança. Se for necessário fechar as pernas do elevador para o manobrar debaixo de uma cama, feche as pernas do elevador apenas durante o tempo necessário para posicionar o elevador sobre o paciente e elevar o paciente para fora da superfície da cama. Quando as pernas do elevador já não estiverem debaixo da cama, volte a colocar as pernas do elevador na posição mais aberta.

#### 5.4.1 Fechar/Abrir as pernas eléctricas do elevador

O comando é utilizado para abrir ou fechar as pernas da base.

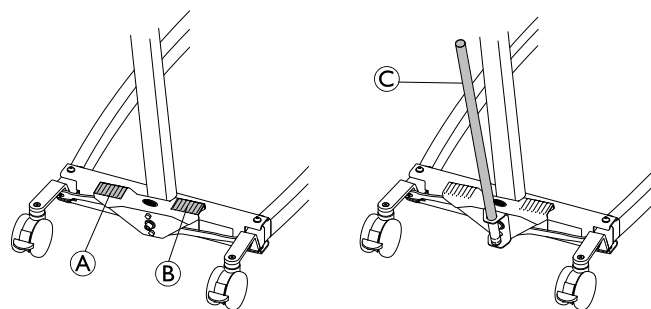


1. Para fechar as pernas do elevador, prima e mantenha premido o botão de pernas fechadas (B).
2. Para abrir as pernas do elevador, prima e mantenha premido o botão de pernas abertas (A).



As pernas param de mover quando o botão é libertado.

#### 5.4.2 Fechar/abrir as pernas do elevador manualmente



A abertura das pernas manual é operada por dois pedais (A e B) ou pela alavanca C.

1. Para abrir as pernas do elevador, prima o pedal direito (B) com um pé.
2. Para fechar as pernas do elevador, prima o pedal esquerdo (A) com um pé.

Com a alavanca:

1. Para abrir as pernas do elevador, puxe a alavanca (C) para a direita.
2. Para fechar as pernas do elevador, pressione a alavanca (C) para a esquerda.

## 5.5 Substituir a barra de suporte

(barra de suporte apenas com SMARTLOCK™)



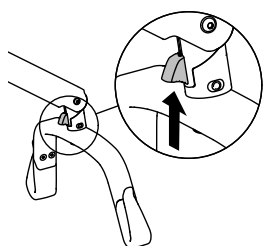
### ADVERTÊNCIA!

#### Risco de lesão

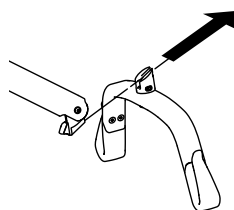
- Utilize apenas barras de suporte concebidas para este elevador.
- Certifique-se de que a barra de suporte é adequada para o paciente e o elevador ou a transferência propriamente ditos.
- Verifique se a barra de suporte está bem encaixada no conector do braço e se não pode ser removida sem premir o botão de desengate.

### Remover a barra de suporte

1.



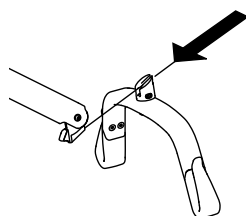
2.



1. Prima e mantenha premido o botão de desengate para cima.
2. Faça deslizar a barra de suporte para a frente e ligeiramente para cima.

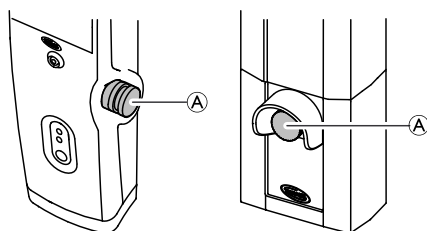
### Fixar uma barra de suporte

1. Faça deslizar a barra de suporte até ouvir um clique audível.
2. Verifique se a barra de suporte está bem encaixada no conector do braço e se não pode ser removida sem premir o botão de desengate.



## 5.6 Funções de emergência

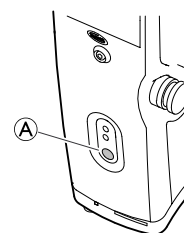
### 5.6.1 Realizar uma paragem de emergência



1. Prima o botão de emergência vermelho (A) na unidade de controlo para parar o levantamento ou a descida do braço e do paciente.
2. Para repor, rode o botão de emergência no sentido dos ponteiros do relógio.

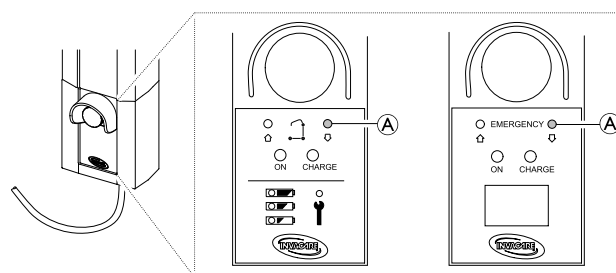
### 5.6.2 Ativação de um abaixamento de emergência (unidade de controlo CBJ-Home)

Se o comando falhar, o braço pode ser baixado utilizando o switch circular para a função de emergência.



1. Baixe o braço premindo e mantendo o botão (A) premido na parte da frente da unidade de controlo.
2. Pare de baixar o braço libertando o botão.

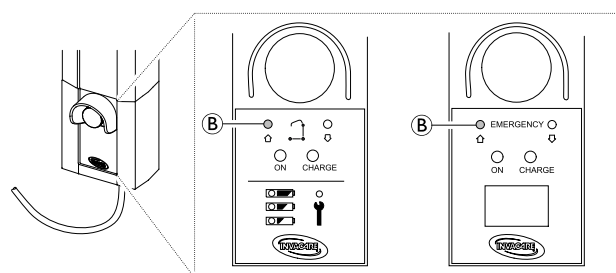
### 5.6.3 Ativação de um abaixamento de emergência (unidade de controlo CBJ Care, CBJ1, CBJ2)



Se o comando falhar, o braço pode ser baixado utilizando o switch circular para a função de emergência. Utilize um objeto pontiagudo, tal como um lápis para premir o botão.

1. Baixe o braço premindo e mantendo o botão (A) premido na parte da frente da unidade de controlo.
2. Pare de baixar o braço libertando o botão.

### 5.6.4 Ativação de um levantamento de emergência (unidade de controlo CBJ Care, CBJ1)



Se o comando falhar, o braço pode ser levantado utilizando o switch circular para o levantamento de emergência. Utilize um objeto pontiagudo, tal como um lápis para premir o botão.

1. Levante o braço premindo e mantendo o botão (B) premido na parte da frente da unidade de controlo.
2. Pare o levantamento do braço libertando o botão.

### 5.6.5 Ativação de um abaixamento de emergência mecânico

Se o abaixamento de emergência na unidade de controlo não estiver a funcionar, está disponível um abaixamento de



emergência mecânico como recurso de reserva. Isto pode acontecer em caso de falha de energia parcial ou total, ou se a bateria acabar durante a utilização.



### ADVERTÊNCIA!

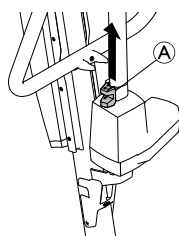
#### Risco de lesões ou danos

A repetição do abaixamento de emergência mecânico leva a um grande aumento da velocidade de abaixamento.

- Utilize apenas o abaixamento de emergência mecânico como recurso de reserva quando o abaixamento de emergência na unidade de controlo não estiver a funcionar.
- Não utilize o abaixamento de emergência mecânico repetidamente em rápida sucessão.
- Baixe sempre o paciente numa superfície de apoio como uma cama ou cadeira.
- Após a necessidade de um abaixamento de emergência mecânico, o elevador de transferência tem de ser verificado para resolver a avaria da unidade de controlo.

## Birdie® EVO e Birdie® EVO PLUS/XPLUS

1. Localize a pega de emergência vermelha (A) na parte inferior do pistão do atuador.
2. Puxe a pega de emergência vermelha (A) lentamente para cima e mantenha-a na posição quando for atingida uma velocidade segura de abaixamento.
3. Se não ocorrer nenhum abaixamento ao puxar completamente a pega de emergência (A), pressione o braço para baixo ao mesmo tempo.



A velocidade de abaixamento eficaz depende do peso do paciente. Se a velocidade for demasiado baixa ou demasiado alta, pode ser adaptada ao peso do paciente.

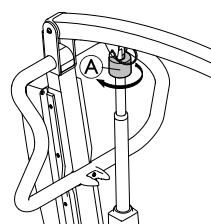
Ajuste da velocidade de abaixamento:

1. Localize o parafuso no orifício inferior da pega de emergência vermelha (A).
2. Rode o parafuso no sentido contrário ao dos ponteiros do relógio para aumentar a velocidade.
3. Rode o parafuso no sentido dos ponteiros do relógio para diminuir a velocidade.

## Birdie® EVO COMPACT

(opcional)

1. Localize o parafuso de rosca de emergência (A) na parte superior do pistão do atuador.
2. Rode o parafuso de rosca de emergência (A) no sentido dos ponteiros do relógio.



## 5.7 Carregar a bateria



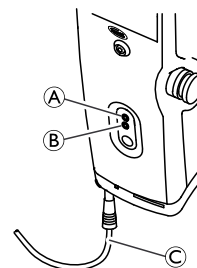
### IMPORTANTE!

- Certifique-se de que a paragem de emergência não está ativada ao carregar a bateria.
- Certifique-se de que o carregamento é realizado numa sala bem ventilada.
- As funções elétricas não estão a funcionar quando o elevador está ligado a uma fonte de alimentação.
- Não tente utilizar o elevador se a caixa da bateria estiver danificada.
- Substitua a caixa da bateria danificada antes de utilização adicional.
- Não mova o elevador sem o desligar da tomada de alimentação.

Recomenda-se que carregue a bateria diariamente para assegurar a boa utilização do elevador e prolongar a vida útil da mesma. Além disso, recomenda-se o carregamento da bateria antes da primeira utilização.

### 5.7.1 Unidade de controlo CBJ-Home

A unidade de controlo está equipada com um sinal sonoro. Um bip indica que a bateria tem baixa capacidade, mas ainda é possível baixar o paciente. Recomenda-se que as baterias sejam carregadas assim que o sinal sonoro seja ouvido.



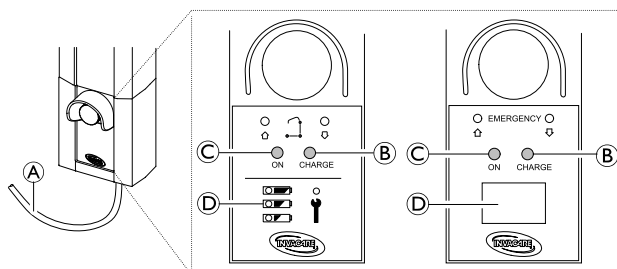
1. Ligue o cabo de alimentação (C) a uma tomada de parede.



A bateria leva cerca de 4 horas a carregar. O carregador para automaticamente quando as baterias ficam totalmente carregadas. O led amarelo superior (A) irá piscar durante o carregamento e mudará para uma luz contínua quando o carregamento terminar. O led verde inferior (B) irá acender-se e permanecer ligado enquanto a unidade de controlo estiver ligada à tomada. Acende-se também quando qualquer botão do comando é premido ou quando o abaixamento de emergência elétrico é ativado.

2. Desligue o cabo de alimentação da tomada depois de a bateria estar completamente carregada.

### 5.7.2 Unidade de controlo CBJ Care, CBJ1, CBJ2



A unidade de controlo está equipada com um sinal sonoro. Um bip indica que a bateria tem baixa capacidade, mas ainda é possível baixar o paciente. Recomenda-se que as baterias sejam carregadas assim que o sinal sonoro seja ouvido.

1. Ligue o cabo de alimentação **A** a uma tomada de alimentação.




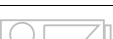


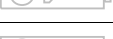


**i** A bateria leva cerca de 4 horas a carregar. O carregador pára automaticamente quando as baterias ficam totalmente carregadas. O led amarelo direito **B** irá piscar continuamente durante o carregamento e desligará quando este terminar. O led verde esquerdo **C** acende-se continuamente quando a unidade de controlo é ligada à rede de alimentação.

2. Desligue o cabo de alimentação **A** da tomada de alimentação depois de a bateria estar completamente carregada.

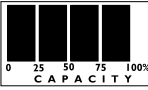
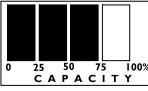
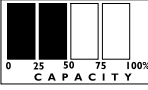
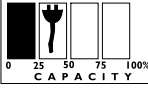
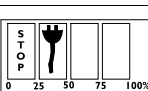
### Indicador da bateria

A unidade de controlo pode estar equipada com um indicador da bateria **D**, indicando a capacidade restante da bateria.

#### CBJ Care





Tipo de indicador da bateria	Estado da bateria	Descrição
	Carga completa	A bateria está OK — não é necessário carregar (100–50%). O LED superior está VERDE.
 	Carga parcial	A bateria necessita de ser carregada (50–25%). O LED do meio está AMARELO.
  	Carga baixa	A bateria necessita de ser carregada (menos de 25%). Ouve-se um sinal sonoro quando um botão é premido. O LED inferior está AMARELO.
  	Carga baixa (LED intermitente)	A bateria necessita de ser carregada. Algumas das funcionalidades do elevador não estão disponíveis e é apenas possível baixar o braço.

#### CBJ1 e CBJ2 com LCD

Tipo de indicador da bateria	Estado da bateria	Descrição
	Carga completa (100%)	A bateria está OK — não é necessário carregar (100 %).
	Carga parcial (75%)	A bateria está OK — não é necessário carregar (75 %).
	Carga parcial (50%)	A bateria necessita de ser carregada (50 %).
	Carga baixa (25%)	A bateria necessita de ser carregada (25 %). Ouve-se um sinal sonoro quando um botão é premido.
	Carga baixa (0%)	A bateria necessita de ser carregada. Algumas das funcionalidades do elevador não estão disponíveis e é apenas possível baixar o braço.

### 5.7.3 Comando opcional

No caso do modelo CBJ Care, está disponível um comando opcional com indicador de bateria.

Tipo de indicador da bateria	Estado da bateria	Descrição
	Carga completa	A bateria está OK — não é necessário carregar (100–50%). O LED direito está VERDE.
	Carga parcial	A bateria necessita de ser carregada (50–25%). O LED do meio está AMARELO.
	Carga baixa	A bateria necessita de ser carregada (menos de 25%). Ouve-se um sinal sonoro quando um botão é premido. O LED esquerdo está AMARELO.
	Carga baixa (LED intermitente)	A bateria necessita de ser carregada. Algumas das funcionalidades do elevador de transferência não estão disponíveis e é apenas possível baixar o braço.

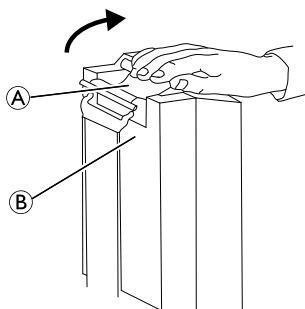
### 5.7.4 Carregador da bateria opcional

(apenas para unidades de controlo com bateria removível)

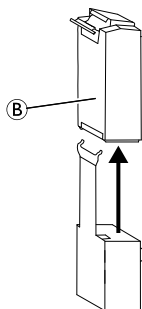
**i** O procedimento de remoção ou instalação da bateria é o mesmo para a unidade de controlo e o carregador.

#### Remover a bateria

1.



2.



1. Levante o manípulo **A** na parte detrás da bateria **B**.
2. Levante a bateria e afaste-a da unidade de controlo ou do carregador.

#### Instalar a bateria

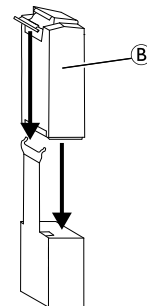


#### ATENÇÃO!

A instalação incorreta da bateria pode causar lesões ou danos.

- Certifique-se de que ouve um clique ao instalar a bateria na unidade de controlo ou no carregador para confirmar a instalação adequada.

1. Coloque a bateria **B** na unidade de controlo ou no carregador, conforme é mostrado, e certifique-se de que ouve um clique.



Quando a bateria é colocada no carregador, o LED de carga acende-se. Quando o carregamento estiver concluído, o LED de carga apaga-se.

Uma bateria necessita de aproximadamente quatro horas para recarregar totalmente.

## 6 Transferência do paciente

### 6.1 Informações gerais de segurança



#### ADVERTÊNCIA!

##### Risco de lesões ou danos

A utilização incorreta deste produto pode causar lesões ou danos.

- Antes de transferir para um objeto estacionário (cadeira de rodas, cama, sanita ou outra superfície), verifique se a capacidade de peso suporta o peso do paciente.
- Se aplicável, a roda ou o rodízio que bloqueia o objeto estacionário (cadeira de rodas, cama, etc.) deve encontrar-se numa posição bloqueada antes de baixar ou elevar o paciente.



#### ADVERTÊNCIA!

##### Risco de lesões ou danos

A utilização incorreta deste produto pode causar lesões ou danos.

- Utilize as barras de empurrar no mastro para empurrar ou puxar o elevador.
- Evite utilizar o elevador num declive. A Invacare recomenda que o produto seja apenas utilizado numa superfície plana.
- Durante a transferência, com o paciente numa cesta presa ao elevador, NÃO passe com o elevador sobre superfícies irregulares que possam fazer com que o elevador tombe.



#### ADVERTÊNCIA!

##### Risco de lesões ou danos

Os danos em partes do elevador (comando, rodízios, etc.) causados por impacto no chão, nas paredes ou noutros objetos estacionários poderão resultar em danos no produto e provocar lesões.

- NÃO permita que peças do elevador batam no chão, nas paredes ou noutros objetos estacionários.
- Armazene SEMPRE devidamente o comando quando não estiver a ser utilizado.



#### ADVERTÊNCIA!

##### Risco de lesões

A barra de suporte pode deslocar-se subitamente e causar lesões.

- Quando posicionar o elevador, tenha em atenção a posição da barra de suporte e do paciente.



#### ADVERTÊNCIA!

##### Risco de apesamento ou estrangulamento

O cabo do comando pode provocar lesões se estiver posicionado e fixado incorretamente.

- Controle SEMPRE a localização do cabo do comando relativamente ao paciente e aos prestadores de cuidados.
- NÃO permita que o cabo do comando fique emaranhado em torno do paciente e dos prestadores de cuidados.
- O comando tem de ser corretamente fixado. Armazene SEMPRE devidamente o comando quando não estiver a ser utilizado.



#### ADVERTÊNCIA!

##### Risco de apesamento ou estrangulamento

Os elementos nas imediações do paciente podem provocar apesamento ou estrangulamento durante a elevação. Para evitar o apesamento ou estrangulamento:

- Antes de levantar o paciente, verifique se este está completamente liberto dos elementos nas suas imediações.



#### ADVERTÊNCIA!

##### Risco de apesamento

Existe um risco de apesamento entre os ganchos da barra de suporte e a cesta.

- Tenha cuidado durante o levantamento.
- NUNCA ponha as mãos ou os dedos nos ganchos ou perto destes durante o levantamento.
- Certifique-se de que as mãos e os dedos do paciente estão afastados dos ganchos antes do levantamento.



#### IMPORTANTE!

Todos os procedimentos de transferências descritos no seguinte podem ser realizados por um (1) assistente. No entanto, a Invacare recomenda que, sempre que possível, os procedimentos sejam realizados por dois (2) assistentes.

### 6.2 Preparar o levantamento



#### ADVERTÊNCIA!

##### Risco de lesões

Durante as transferências e a operação de levantamento, o braço pode bater no paciente ou nos prestadores de cuidados e causar lesões.

- Controle SEMPRE a posição do braço durante as transferências.
- Certifique-se de que o braço não está posicionado de forma a bater no paciente ou em pessoas nas imediações.
- Controle SEMPRE a posição do seu corpo em relação ao braço durante as transferências.

1. Antes de continuar, reveja as informações e tenha em atenção todas as advertências indicadas na secção 2 *Segurança, página 205* e *Elevar o paciente*.
2. Coloque o paciente sobre a cesta. Consulte o manual de utilização da cesta.
3. Desbloqueie os rodízios traseiros. Consulte a secção 5 *Utilização, página 215*
4. Abra as pernas do elevador. Consulte a secção 5 *Utilização, página 215*

5. Utilize as barras de empurrar para mover o elevador de transferência para a posição adequada.

**ADVERTÊNCIA!**

- Quando utilizar o elevador juntamente com camas ou cadeiras de rodas, tenha em atenção a posição do elevador em relação a esses dispositivos, de forma a evitar que o elevador fique preso.
- Antes de colocar as pernas do elevador de transferência debaixo de uma cama, certifique-se de que a área está desobstruída.

6. Baixe o elevador de transferência para obter um encaixe fácil da cesta.
7. Bloqueie os rodízios traseiros. Consulte a secção 5 *Utilização, página 215*
8. Fixe a cesta. Consulte a secção 6.2.1 *Fixar a cesta ao elevador de transferência, página 221*

**6.2.1 Fixar a cesta ao elevador de transferência****ADVERTÊNCIA!****Risco de lesões**

A utilização de cestas incorretas ou danificadas pode fazer com que o paciente caia ou provocar lesões nos assistentes.

- Utilize uma cesta aprovada pela Invacare que seja recomendada pelo médico responsável, enfermeiro ou médico assistente da pessoa a elevar, para o seu conforto e segurança.
- As cestas e os acessórios do elevador de transferência são especificamente concebidos para serem utilizados em conjunto com elevadores de transferência da Invacare.
- Após cada lavagem (em conformidade com as instruções da cesta), verifique se a(s) cesta(s) apresenta(m) sinais de desgaste, rasgões e costuras soltas.
- As cestas branqueadas, rasgadas, cortadas, desfiadas ou danificadas não são seguras e podem resultar em lesões. Descarte-as imediatamente.
- NÃO introduza alterações nas cestas.

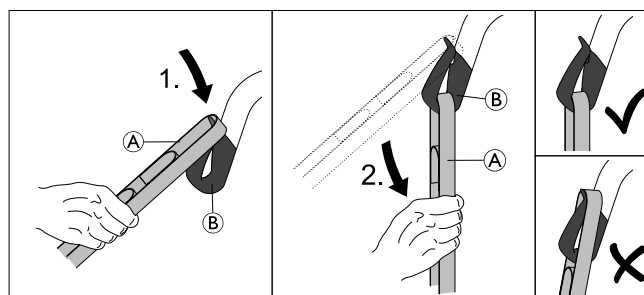
**ADVERTÊNCIA!****Risco de lesões**

As cestas incorretamente fixadas ou ajustadas podem fazer com que o paciente caia ou provocar lesões nos assistentes.

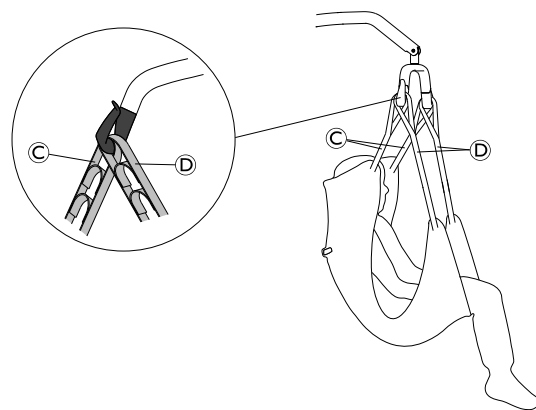
- Certifique-se de que verifica as fixações da cesta sempre que a remover e substituir, para assegurar que esta está corretamente ligada antes de o paciente ser removido de um objeto estacionário (cama, cadeira ou sanita).
- A barra de suporte DEVE estar presa ao elevador de transferência ANTES de fixar a cesta.
- NÃO utilize qualquer espécie de almofada de incontinência de plástico ou almofada de assento entre o paciente e o material da cesta que possa fazer com que este deslize durante a transferência.
- Certifique-se de que existe apoio de cabeça suficiente ao levantar um paciente.
- Posicione o paciente na cesta seguindo as instruções fornecidas com a mesma.

- Devem ser realizados ajustes tendo em vista a segurança e o conforto do paciente antes da sua deslocação.

As correias da cesta podem estar equipadas com ilhós codificados por cores que fornecem diferentes comprimentos, que permitem colocar o paciente em diferentes posições. As correias mais curtas nos ombros irão produzir um elevador de transferência mais vertical, o que ajudará a posicionar o paciente numa cadeira normal ou numa cadeira de rodas. Ao alargar as correias nos ombros, pode ser alcançada uma posição mais reclinada que é mais adequada para uma transferência de uma cadeira para a cama. Faça sempre corresponder as cores dos ilhós com as correias da mesma cor de cada lado da cesta para efetuar um levantamento uniforme do paciente.

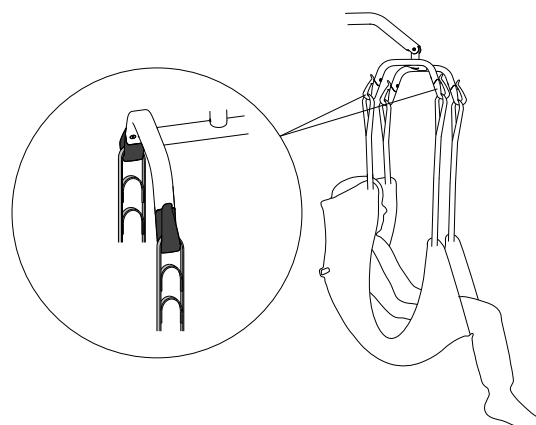


1. Passe o ilhó pretendido da correia (A) pela ponta do gancho (B).
2. Puxe a correia (A) para baixo até o ilhó assentar totalmente na parte inferior do gancho (B).
3. Repita os passos para cada uma das correias restantes da cesta.
  - a.



Num barra de suporte de 2 pontos, prenda a correia do ombro (C) antes da correia da perna (D) em cada um dos ganchos.

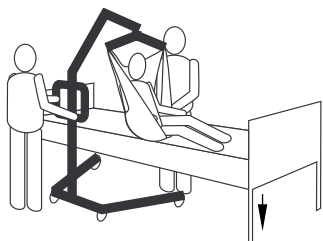
b.



Num barra de suporte de 4 pontos, prenda cada uma das correias a um gancho individual.

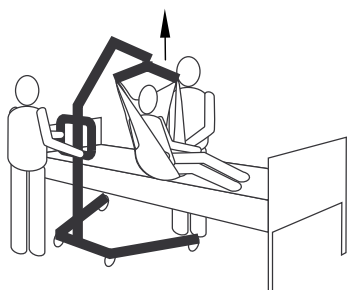
### 6.3 Transferir um paciente a partir de uma cama

1. Prepare a elevação. Consulte a secção 6.2 *Preparar o levantamento*, página 220
2. Prenda a cesta ao elevador. Consulte a secção 6.2.1 *Fixar a cesta ao elevador de transferência*, página 221
3. Desbloqueie os rodízios traseiros.
- 4.



Desça a cama para a posição mais baixa.

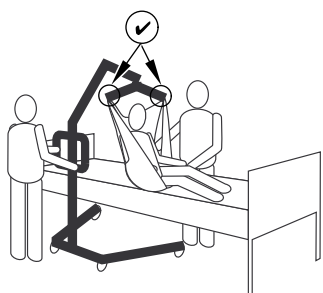
5.



Eleve o paciente a uma altura suficiente para ficar completamente fora do objeto estacionário, com todo o peso suportado pelo elevador.

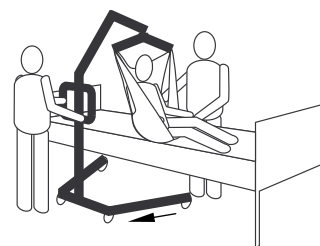
**i** O braço permanecerá na mesma posição até o botão PARA BAIXO ser premido.

6.



Antes de se mover o paciente, volte a verificar se a cesta está corretamente fixada aos ganchos da barra de suporte. Consulte a secção 6.2.1 *Fixar a cesta ao elevador de transferência*, página 221. Se os encaixes não estiverem corretamente colocados, volte a baixar o paciente para o objeto estacionário e corrija o problema.

7.



Utilizando as barras de empurrar, afaste o elevador do objeto estacionário.

8.



Utilizando as pegas da cesta, vire o paciente de modo a que este fique de frente para o cuidador que está a manobrar o elevador de transferência.

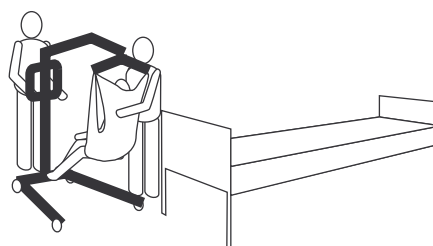
9.



Baixe o paciente de modo a que os respetivos pés fiquem pousados na base do elevador, um de cada lado do mastro.

**i** O centro de gravidade inferior oferece estabilidade, fazendo o paciente sentir-se mais seguro e facilitando a movimentação do elevador.

10.



Desloque o elevador de transferência mantendo as duas mãos com firmeza nas barras de empurrar.

11. Avance com a transferência para a outra superfície de repouso ou para outro objeto estacionário.

## 6.4 Transferir um paciente para uma cama

1. Realize os passos seguintes para além dos necessários para elevar o paciente a partir de outra superfície de repouso ou de outro objeto estacionário.
- 2.



Suba ou baixe o elevador para posicionar o paciente sobre a superfície estacionária. Certifique-se de que sobe ou baixa o paciente o suficiente para ficar de fora das partes laterais do objeto estacionário.

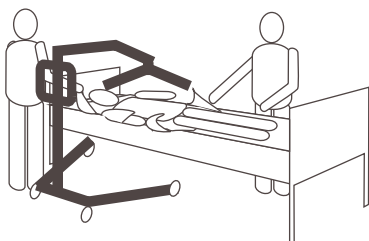
3.



Baixe o paciente para a superfície estacionária.

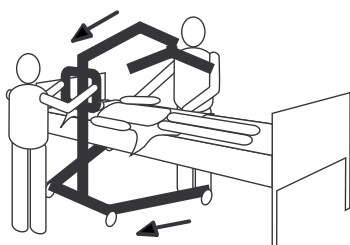
4. Certifique-se de que o paciente é totalmente suportado pela superfície para a qual está a transferir.
5. Bloqueie os rodízios traseiros.
6. Levante a cama para uma boa altura de funcionamento (normalmente à altura da anca dos prestadores de cuidados).

7.



Desprenda a cesta da barra de suporte.

8. Desbloqueie os rodízios traseiros.
- 9.

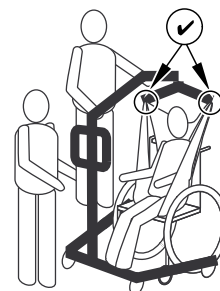


Afaste o elevador da área.

## 6.5 Transferir o paciente de uma cadeira de rodas

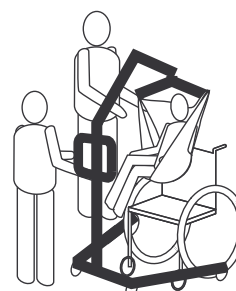
1. Engate os travões de estacionamento da cadeira de rodas para evitar o movimento da cadeira de rodas.
2. Prepare-se para levantar o paciente. Consulte a secção 6.2 Preparar o levantamento, página 220

3. Certifique-se de que a cadeira de rodas é colocada entre as pernas abertas do elevador de transferência com o paciente voltado para o mastro.
4. Prenda a cesta ao elevador de transferência. Consulte a secção 6.2.1 Fixar a cesta ao elevador de transferência, página 221
5. Desbloqueie os rodízios traseiros.
- 6.



Levante o braço até que haja tensão nas correias da cesta e certifique-se de que esta está corretamente fixada aos ganchos da barra de suporte. Consulte a secção 6.2.1 Fixar a cesta ao elevador de transferência, página 221 Se os encaixes não estiverem corretamente colocados, volte a baixar o paciente para a cadeira de rodas e corrija o problema.

7.



Levante o paciente a uma altura suficiente para ficar completamente fora da cadeira de rodas, com todo o peso suportado pelo elevador de transferência.

8. Utilizando as barras de empurrar, afaste o elevador de transferência da cadeira de rodas.
9. Avance com a transferência para a outra superfície de repouso ou para outro objeto estacionário.

## 6.6 Transferir o paciente para uma cadeira de rodas



### ADVERTÊNCIA!

#### Risco de lesões

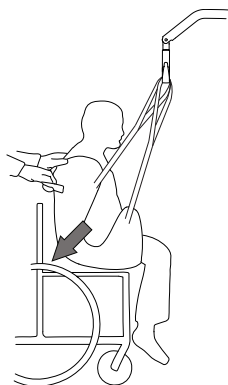
- Antes de transferir, verifique se a capacidade de peso da cadeira de rodas suporta o peso do paciente.
- Os travões das rodas da cadeira de rodas DEVEM estar na posição bloqueada antes de se baixar o paciente para cima da cadeira de rodas para o transportar.

1. Realize os passos seguintes para além dos necessários para elevar o paciente a partir de outra superfície de repouso ou de outro objeto estacionário.
2. Engate os travões de estacionamento da cadeira de rodas para evitar o movimento da cadeira de rodas.



3. Coloque o paciente em cima do assento com as costas orientadas contra o encosto da cadeira.

4.



Comece a baixar o paciente e a utilizar o manípulo (em modelos selecionados) ou as partes laterais da cesta para orientar as ancas do paciente o mais para trás possível em cima do assento para um melhor posicionamento. Isto irá conservar um bom centro de equilíbrio e evitar que a cadeira se incline para a frente.

## 6.7 Transferir um paciente para e de uma sanita

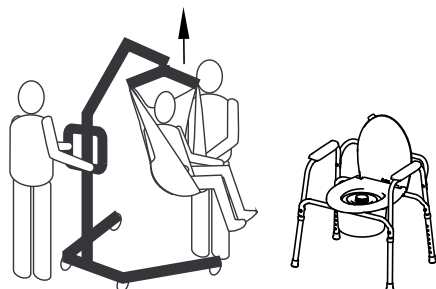
**i** O elevador de transferência da Invacare NÃO se destina ser utilizado como dispositivo de transporte. Se as instalações sanitárias NÃO estiverem junto à cama ou se o elevador de transferência não puder ser manobrado na direção da sanita, o paciente DEVE ser transferido para uma cadeira de rodas e transportado para as instalações sanitárias antes de voltar a utilizar o elevador de transferência para posicionar o paciente numa sanita standard.

**i** As cestas com aberturas para sanita foram desenhadas para serem utilizadas com uma cadeira sanitária com uma sanita standard.

**i** Antes de transferir o paciente, o elevador de transferência deve ser conduzido para as instalações sanitárias a fim de se verificar se é possível manobrá-lo facilmente na direção da sanita.

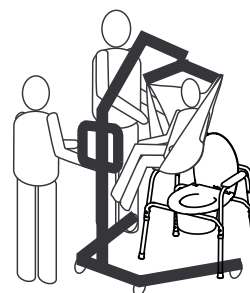
1. Realize os passos seguintes para além dos necessários para elevar o paciente a partir de outra superfície de repouso ou de outro objeto estacionário.

2.



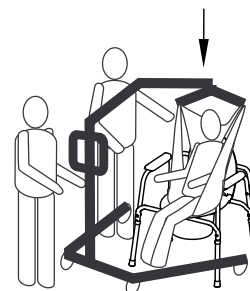
Eleve o paciente a uma altura suficiente para estar completamente fora dos braços da cadeira sanitária, tendo o peso suportado pelo elevador de transferência. Consulte a secção 5 Utilização, página 215

3.



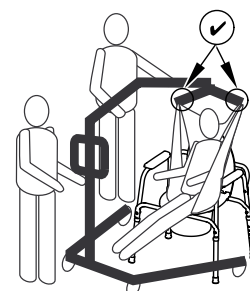
Posicione o elevador de modo que as pernas estejam do lado de fora das pernas da sanita e as barras de empurrar do elevador estejam no lado oposto à sanita e oriente o paciente para a mesma.

4.



Baixe o paciente até o colocar na sanita, deixando a cesta presa aos ganchos da barra de suporte. A Invacare recomenda que a cesta permaneça ligada aos ganchos da barra de suporte enquanto o paciente estiver a utilizar a cadeira sanitária ou uma sanita standard.

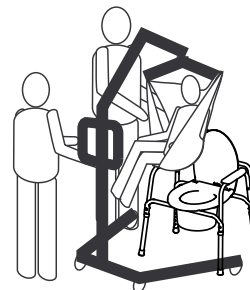
5.



Depois de terminado este processo, volte a verificar se a cesta está corretamente colocada.

6. Levante o paciente para fora da sanita.

7.



Quando o paciente estiver fora da superfície da sanita, utilize as barras de empurrar para afastar o elevador da sanita.

8. Avance com a transferência para a outra superfície de repouso ou para outro objeto estacionário.



## 6.8 Levantar um paciente a partir do chão



### ADVERTÊNCIA!

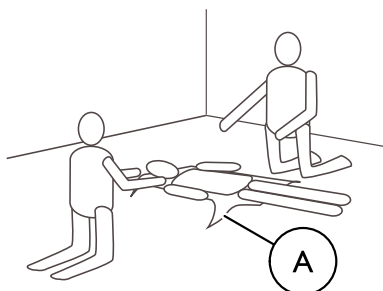
#### Risco de lesões

O elevador pode provocar lesões num paciente no chão ou num assistente a trabalhar no chão.

– Tenha sempre cuidado ao mover as peças do elevador perto de uma pessoa no chão.

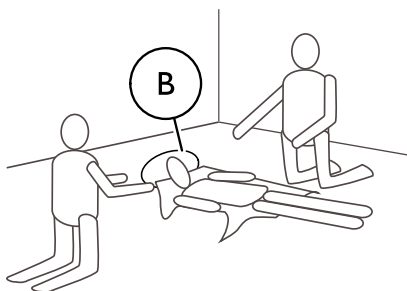
1. Em caso de queda, determine se o paciente sofreu alguma lesão. Se não for necessária assistência médica, prossiga com a transferência.

2.



Coloque a cesta **A** por baixo do paciente. Para obter mais informações sobre como posicionar as cestas, consulte o manual de utilização da cesta.

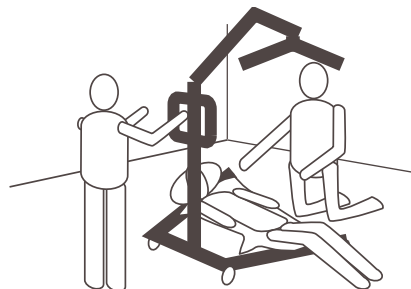
3.



Peça ao paciente para dobrar os joelhos e levante-lhe a cabeça do chão apoiando-a com uma almofada **B**.

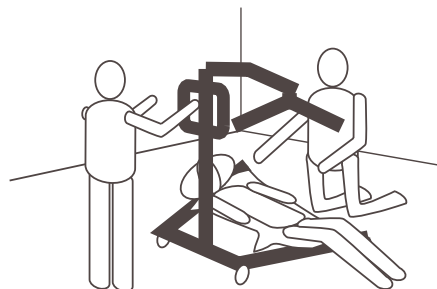
4. Desbloqueie os rodízios traseiros. Consulte a secção 5 *Utilização*, página 215
5. Abra as pernas do elevador. Consulte a secção 5 *Utilização*, página 215

6.



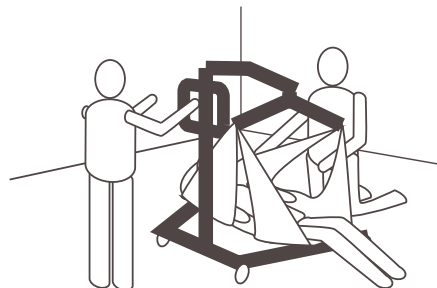
Posicione o elevador com uma perna por baixo dos joelhos dobrados do paciente e a outra perna por baixo da cabeça do paciente. Mantenha as correias da cesta dentro das pernas do elevador.

7.



Baixe o braço de modo a que a barra de suporte fique diretamente por cima do peito do paciente.

8.



Fixe a cesta. Consulte a secção 6.2.1 *Fixar a cesta ao elevador de transferência*, página 221

9. Suba o braço para levantar o paciente do chão.
10. Avance com a transferência para a outra superfície de repouso ou para outro objeto estacionário.

## 7 Transporte e armazenamento

### 7.1 Informações gerais

Durante o transporte ou quando o elevador de transferência não é utilizado há já algum tempo, o botão de paragem de emergência deve estar premido.

Um elevador dobrado ou desmontado pode ser acondicionado na caixa da embalagem para transporte e armazenamento.

Os elevadores dobrados podem ser puxados pelas rodas traseiras e os elevadores com uma abertura das pernas manual podem ser estacionados na posição vertical com o mastro/suporte do braço a apontar para cima.

O elevador de transferência deve ser armazenado à temperatura ambiente normal. Se for guardado num ambiente húmido, frio ou molhado, o motor e as outras peças de montagem podem ficar vulneráveis à corrosão. Consulte a secção 11.4 *Condições ambientais*, página 233

### 7.2 Desmontar o mastro da base

(apenas mastro fixo)

1. Retire a alavanca da abertura das pernas opcional, se esta estiver colocada.
2. Baixe o braço e feche totalmente ambas as pernas.
3. Ative o botão de paragem de emergência e aplique os travões dos rodízios.
4. Execute o procedimento descrito na secção 4.5 *Instalar o atuador no braço*, página 213 pela ordem inversa.
5. Execute o procedimento descrito na secção 4.4 *Abrir a barra de suporte*, página 212 pela ordem inversa.
6. Execute o procedimento descrito na secção 4.3.2 *Montar o mastro na base*, página 212 pela ordem inversa.

### 7.3 Dobrar o mastro

(apenas mastro dobrável)

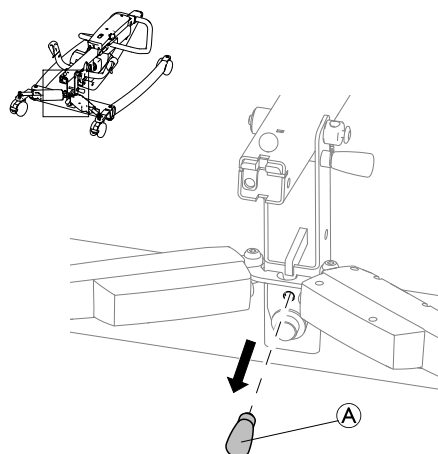
1. Retire a alavanca da abertura das pernas opcional, se esta estiver colocada.
2. Baixe o braço e feche totalmente ambas as pernas.
3. Ative o botão de paragem de emergência e aplique os travões dos rodízios.
4. Execute o procedimento descrito na secção 4.5 *Instalar o atuador no braço*, página 213 pela ordem inversa.
5. Execute o procedimento descrito na secção 4.4 *Abrir a barra de suporte*, página 212 pela ordem inversa.
6. Execute o procedimento descrito na secção 4.3.1 *Desdobrar o mastro*, página 211 pela ordem inversa e puxe e segure o gancho de segurança ⑤ para cima antes de dobrar o mastro.

### 7.4 Extensão do mastro para posicionamento vertical

(apenas o modelo Birdie EVO)

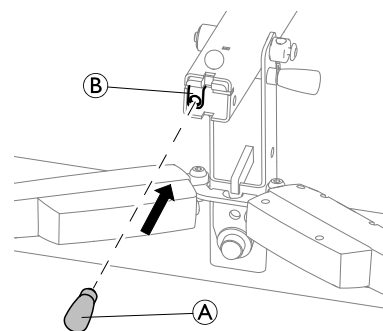
É fornecida uma extensão de mastro magnética para permitir o posicionamento vertical, se o elevador de transferência estiver equipado com uma abertura das pernas elétrica.

1.



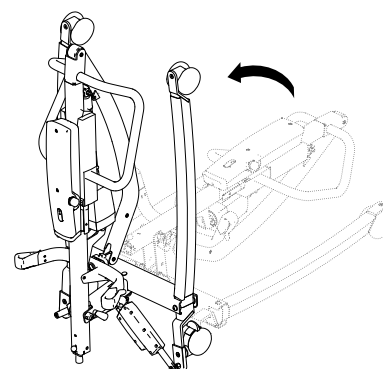
Retire a extensão do mastro ① do seu local de armazenamento na base do elevador de transferência.

2.



Insira a extensão do mastro ① no suporte ② na parte inferior do mastro dobrado.

3.



Agora, o elevador de transferência já pode ser colocado numa posição vertical.

## 8 Manutenção

### 8.1 Informações gerais sobre manutenção



#### ATENÇÃO!

##### Risco de lesão ou danos

- Não realize qualquer procedimento de manutenção ou assistência enquanto o produto estiver a ser utilizado.

Siga os procedimentos de manutenção descritos neste manual para manter o seu produto em funcionamento contínuo.

Os procedimentos de manutenção e inspeção adicionais, que se destinam a ser realizados por um técnico qualificado, são descritos no manual de assistência deste produto. Os manuais de assistência podem ser solicitados à Invacare.

### 8.2 Inspeções diárias



#### ADVERTÊNCIA!

##### Risco de lesão ou danos

Peças danificadas ou desgastadas podem afetar a segurança do elevador de transferência.

- O elevador de transferência deve ser verificado sempre que for utilizado.
- Não utilize o elevador de transferência se encontrar danos ou se tiver dúvidas sobre a segurança de qualquer das suas peças. Contacte o fornecedor Invacare imediatamente e assegure que o elevador de transferência não é utilizado até as reparações estarem terminadas.

#### Lista de verificação da inspeção diária

- Inspeccione visualmente o elevador de transferência. Verifique todas as peças quanto a sinais de desgaste ou danos externos.
- Verifique todas as ferragens, pontos de fixação e peças sob tensão, tais como as cestas, os ganchos e quaisquer pontos de rotação para identificar sinais de desgaste, fissuras, desfiamento, deformação ou deterioração.
- Verifique se o comando está funcional (movimentos de elevação e das pernas).
- Carregue a bateria todos os dias que o elevador de transferência for utilizado.
- Verifique a função de paragem de emergência.
- Verifique a luz de assistência (apenas a unidade de controlo CBJ Care).



A luz de assistência é indicada pelo símbolo de uma chave na unidade de controlo e aplica-se ao comando.

- Se a luz de assistência estiver a piscar a amarelo, o elevador de transferência necessita de assistência. Não utilize o elevador de transferência e contacte o seu fornecedor Invacare para obter assistência.
- Se a luz de assistência não estiver a piscar, o elevador de transferência está pronto a ser utilizado.

## 8.3 Limpeza e desinfeção

### 8.3.1 Informações gerais de segurança



#### ATENÇÃO!

##### Risco de contaminação

- Tome precauções pessoais e utilize equipamento de proteção apropriado.



#### ATENÇÃO!

##### Risco de choque elétrico e danos no produto

- Desligue o dispositivo e desligue o cabo da tomada elétrica, se aplicável.
- Quando limpar componentes eletrónicos, tenha em conta a respetiva classe de proteção quanto à entrada de água.
- Certifique-se de que evita quaisquer salpicos de água na ficha ou tomada de parede.
- Não toque na tomada com as mãos molhadas.



#### IMPORTANTE!

Métodos ou fluidos errados podem prejudicar ou danificar o produto.

- Todos os agentes de limpeza e desinfetantes utilizados têm de ser eficazes, compatíveis entre si e passíveis de proteger os materiais aos quais são aplicados para limpeza.
- Nunca utilize líquidos corrosivos (alcalinos, ácidos, etc.) ou agentes de limpeza abrasivos. Recomendamos um agente de limpeza doméstico normal, como, por exemplo, detergente da loiça, se não houver especificações em contrário nas instruções de limpeza.
- Nunca utilize um solvente (diluyente celulósico, acetona, etc.) que altere a estrutura do plástico ou dissolva as etiquetas afixadas.
- Certifique-se sempre de que o produto está completamente seco antes de o pôr novamente em funcionamento.



Para a limpeza e desinfeção em ambientes de cuidados clínicos ou de longa duração, siga os procedimentos internos.

### 8.3.2 Intervalos de limpeza



#### IMPORTANTE!

A limpeza e a desinfeção regulares melhoram o funcionamento correto, aumentam a vida útil e evitam a contaminação.

Limpe e desinfete o produto

- regularmente enquanto está a ser utilizado,
- antes e depois de qualquer operação de assistência,
- depois de ter estado em contacto com quaisquer fluidos corporais
- e antes da sua utilização por um novo utilizador.

### 8.3.3 Instruções de limpeza



#### IMPORTANTE!

- O produto não tolera a limpeza em sistemas de lavagem automática nem a utilização de equipamento de limpeza de alta pressão ou vapor.

#### Limpeza do elevador de transferência

Método: Limpe com uma escova macia ou um pano molhado.

Temperatura máxima: 40 °C

Solvente/agentes químicos: Utilize água e agentes de limpeza domésticos.

Secagem: Seque com um pano macio.

#### Limpeza da cesta

Consulte as instruções de lavagem da cesta e o respetivo manual para obter detalhes sobre a limpeza.

### 8.3.4 Instruções de desinfeção



Pode encontrar informações sobre os desinfetantes e os métodos recomendados em <https://vah-online.de/en/for-users>.

### Em cuidados domiciliários

Método: Siga as notas de aplicação para o desinfetante utilizado e desinfete todas as superfícies acessíveis com toalhetes.

Desinfetante: Desinfetante doméstico comum.

Secagem: Deixe o produto secar ao ar.

### Em cuidados clínicos e de longo prazo

Siga os procedimentos de desinfeção internos e utilize apenas os desinfetantes e métodos especificados.

## 8.4 Intervalo para manutenção



#### ADVERTÊNCIA!

#### Risco de lesão ou danos

As operações de manutenção só podem ser realizadas por técnicos qualificados.

- Contacte o fornecedor Invacare para solicitar manutenção.

É necessário realizar as operações de manutenção pelo menos a cada 12 meses, salvo indicação em contrário dos requisitos locais.

## 9 Após a utilização

### 9.1 Eliminação

**ADVERTÊNCIA!****Perigo ambiental**

O dispositivo contém baterias.

Este produto pode conter substâncias que podem ser prejudiciais para o ambiente, se for eliminado em locais (aterros) que não estejam em conformidade com a legislação.

- NÃO elimine as baterias juntamente com o lixo doméstico comum.
- As baterias TÊM DE ser entregadas a uma instalação de eliminação adequada. A devolução das baterias é exigida por lei e gratuita.
- Elimine apenas as baterias descarregadas.
- Tape os terminais das baterias de lítio antes da eliminação.
- Para obter informações sobre o tipo de bateria, consulte a etiqueta da bateria ou o capítulo 11 *Características Técnicas, página 231*

Seja amigo do ambiente e recicle este produto no fim da respetiva vida útil através das instalações de reciclagem existentes.

Desmonte o produto e os seus componentes, para que os diferentes materiais possam ser separados e reciclados individualmente.

A eliminação e a reciclagem de produtos utilizados e da embalagem devem cumprir as leis e os regulamentos relativos à gestão de resíduos de cada país. Para obter informações, contacte a empresa de gestão de resíduos local.

### 9.2 Recondicionamento

Este produto é adequado para reutilização. Para o recondicionamento do produto para um novo utilizador, execute as seguintes ações:

- Limpeza e desinfeção
- Inspeção de acordo com o plano de assistência

Para obter informações detalhadas sobre inspeção, limpeza e desinfeção, consulte o manual de utilização e o manual de assistência deste produto.

## 10 Resolução de problemas

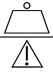
### 10.1 Identificar falhas e soluções possíveis

Sintomas	Falhas	Solução
O elevador de transferência parece estar solto.	Junta do mastro/base solta.	Consulte a secção Instalar o mastro no capítulo Configuração.
	As braçadeiras e as hastes estão soltas.	Contacte o seu fornecedor Invacare.
Os rodízios/travões emitem ruído ou estão perros.	Cotão ou detritos nos rolamentos.	Limpe o cotão e os detritos dos rodízios.
Ruído ou som seco nos eixos.	Os eixos estão gastos ou danificados.	Contacte o seu fornecedor Invacare.
O atuador elétrico não realiza a elevação ou as pernas não abrem quando o botão é premido.	Conector do comando ou do atuador solto.	Ligue o conector do comando ou atuador. Certifique-se de que os conectores estão bem encaixados e totalmente ligados.
	Bateria fraca.	Carregue a bateria. Consulte a secção 5.7 Carregar a bateria, página 217.
	O botão de paragem de emergência está premido.	Rode o botão de paragem de emergência no sentido dos ponteiros do relógio até sobressair.
	Bateria não ligada corretamente à unidade de controlo.	Volte a ligar a bateria à unidade de controlo. Consulte a secção 5.7.4 Carregador da bateria opcional, página 218
	Os terminais de ligação estão danificados.	Contacte o seu fornecedor Invacare.
	Cabo de alimentação ligado à tomada de alimentação.	Desligue o cabo de alimentação da tomada de alimentação.
	O braço ou o atuador das pernas está danificado.	Contacte o seu fornecedor Invacare.
	A carga máx. foi ultrapassada.	Reduza a carga.
Ruído invulgar do atuador.	O atuador está danificado.	Contacte o seu fornecedor Invacare.
O braço não baixa da posição mais elevada.	O braço requer uma carga de peso mínima para baixar a partir da posição mais elevada.	Puxe ligeiramente o braço para baixo.
A unidade de controlo emite um bip durante a elevação e o motor para.	A carga máx. foi ultrapassada.	Reduza a carga (e o elevador irá funcionar normalmente).

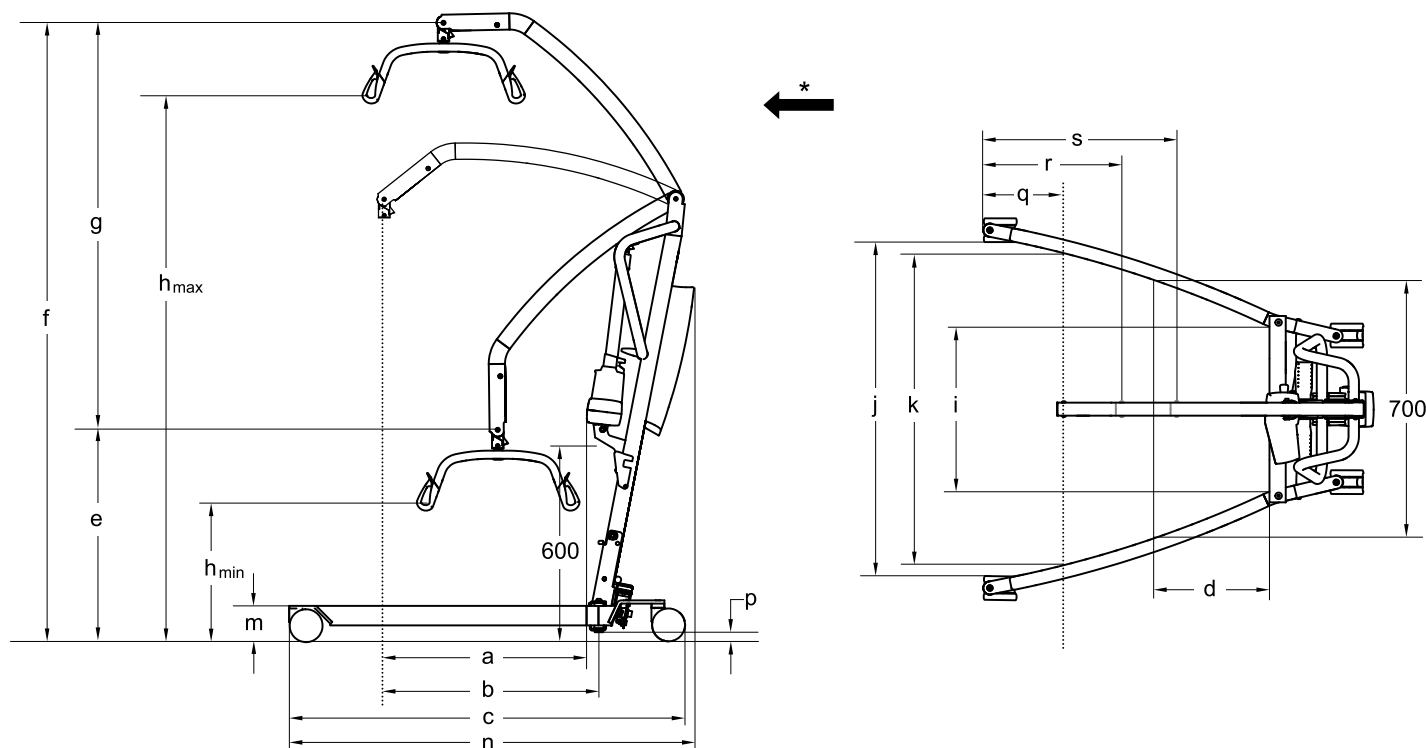
 Contacte o seu fornecedor Invacare, se as instruções acima não resolverem os seus problemas.

## 11 Características Técnicas

### 11.1 Carga útil máxima

	Birdie® EVO	Birdie® EVO COMPACT	Birdie® EVO PLUS	Birdie® EVO XPLUS
Carga útil máxima (paciente + barra de suporte + cesta)	180 kg	150 kg	180 kg	210 kg

### 11.2 Dimensões e pesos




\* Direção em frente

Dimensões [mm]	Birdie® EVO		Birdie® EVO COMPACT		Birdie® EVO PLUS / XPLUS
Diâmetro do rodízio dianteiro/traseiro	75 / 75	100 / 100	75 / 75	100 / 100	100 / 125
Alcance máximo a 600 mm (a)	630	630	530	530	630
Alcance máximo desde a base (b)	630	630	530	530	630
Comprimento da base (c)	1200	1220	1060	1080	1280
Comprimento total (n)	1250	1250	1100	1100	1280
Alcance desde a base com as pernas estendidas até 700 mm (d)	225	225	420	420	225
Posição mais baixa/altura mínima do CSP* (e)	630	645	730	745	645
Altura máxima do CSP* (f)	1870	1885	1805	1820	1885
Intervalo de elevação (g)	1240	1240	1060	1060	1240
Altura mínima no gancho da cesta ( $h_{min}$ )	400	415	515	530	415
Altura máxima no gancho da cesta ( $h_{max}$ )	1645	1660	1575	1590	1660
Largura total (pernas abertas) do centro ao centro do rodízio	1100	1100	890	890	1100
Largura total (pernas abertas), medida interna (j)	1040	1020	835	815	1020
Largura total (pernas fechadas), medida externa	640	640	520	520	640

Dimensões [mm]	Birdie® EVO		Birdie® EVO COMPACT		Birdie® EVO PLUS / XPLUS
Largura interna mínima (i)	495	495	380	380	495
Largura interna com o alcance máximo (k)	960	960	765	765	960
Diâmetro de rotação	1400	1400	1070	1070	1430
Altura até à extremidade superior das pernas (m)	100	115	100	115	115
Altura livre mínima (p)	20	35	20	35	35
Distância mínima da parede ao CSP* no alcance máximo (pernas abertas) (q)	245	245	210	210	245
Distância mínima da parede ao CSP* na altura máxima (pernas abertas) (r)	410	410	450	450	410
Distância mínima da parede ao CSP* na altura mínima (pernas abertas) (s)	615	615	395	395	615
Altura quando dobrado (apenas versão dobrável)	455	470	455	470	470
Comprimento quando dobrado (apenas versão dobrável)	1300	1320	1190	1210	1360

\* CSP = Ponto de suspensão central

 Todas as medições foram realizadas com uma barra de suporte de 2 pontos com 450 mm.

Peso das peças principais [kg]			
	Birdie® EVO	Birdie® EVO COMPACT	Birdie® EVO PLUS / XPLUS
Peso total excluindo a barra de suporte	40	31	41
Peso, mastro, incluindo a bateria, excluindo a barra de suporte	19	14	19
Peso, secção manual das pernas	21	17	N/A
Peso, secção elétrica das pernas	21	N/A	22

Peso das barras de suporte [kg]	
Barra de suporte, 2 pontos, 350 mm	1,3
Barra de suporte, 2 pontos, 450 mm	1,4
Barra de suporte, 2 pontos, 550 mm	1,6
Barra de suporte, 4 pontos, 450 mm	2,8
Barra de suporte, 4 pontos, 500 mm	2,9
Barra de suporte, 4 pontos, 550 mm	3,0

### 11.3 Sistema elétrico

	Birdie® EVO	Birdie® EVO COMPACT	Birdie® EVO PLUS/XPLUS
Tensão de saída	24 V DC, máximo 250 VA		
Tensão de alimentação	100 – 240 V CA, 50/60 Hz		
Corrente de entrada máxima	400 mA (para CBJ1, CBJ2 e CBJ Care)/ 280 mA (para CBJ Home)	400 mA (para CBJ2) / 280 mA (para CBJ Home)	400 mA (CBJ1 e CBJ Care)
Classe de proteção (dispositivo completo)	IPX4*		
Classe de isolamento	Equipamento de classe II		
Peça aplicada de tipo B	Peça aplicada, em conformidade com os requisitos especificados para proteção contra choque elétrico de acordo com a norma IEC60601-1.		




	Birdie® EVO	Birdie® EVO COMPACT	Birdie® EVO PLUS/XPLUS
Nível sonoro	45 – 50 dB(A)		
Capacidade de funcionamento	40 levantamentos completos (com a bateria entre 100% – 50% da capacidade completa)		
Intermitente (utilização periódica dos motores)	10%, máximo 2 min/18 min		
Especificações da bateria	2 x 12 V/2,9 Ah		
Tipo de bateria	Chumbo-ácido (sem necessidade de assistência, selada)		
Abaixamento de emergência manual	Sim (na parte inferior do atuador)	Opcional (na parte superior do atuador)	Sim (na parte inferior do atuador)
Abaixamento/levantamento de emergência elétrico	Sim/Sim (para CBJ1 e CBJ Care) Sim/Não (para CBJ2 e CBJ Home))	Sim/Não (para CBJ2 e CBJ Home)	Sim/Sim (CBJ1 e CBJ Care)

\*IPx4 - O sistema está protegido contra salpicos de água de qualquer direção.

## 11.4 Condições ambientais

	Armazenamento e transporte	Funcionamento
Temperatura	-10 °C a +50 °C	+5 °C a +40 °C
Humidade relativa	20% a 90% a 30 °C, sem condensação	
Pressão atmosférica	800 hPa a 1060 hPa	

-  Deixe que o produto atinja a temperatura de funcionamento antes da utilização:
- O aquecimento após a temperatura mínima de armazenamento pode demorar cerca de 30 minutos.
  - O arrefecimento após a temperatura máxima de armazenamento pode demorar cerca de 5 minutos.

## 11.5 Materiais

Componente	Material
Base, pernas, mastro e braço	Aço lacado
Barra de suporte	Aço lacado e TPU

Componente	Material
Compartimento do atuador, comando, proteção do mastro, rodízios e outras peças de plástico	Material em conformidade com a marca (PA, PP, PE)
Conector do braço, parafusos e porcas	Aço, galvanizado

Todos os componentes do produto são resistentes à corrosão ou têm proteção contra a corrosão.

## 11.6 Forças de funcionamento dos controlos

Controlo	Força de funcionamento
Botões na unidade de controlo	4 N
Botões no comando	4 N
Pedal com rodízios de 100 mm*	290 N
Alavanca da abertura das pernas com rodízios de 100 mm	45 N
Alavanca da abertura das pernas com rodízios de 75 mm	50 N

\* Se equipado com rodízios de 75 mm, uma alavanca de abertura de pernas é obrigatória.

## 12 Compatibilidade eletromagnética (EMC)

### 12.1 Informações gerais sobre compatibilidade eletromagnética (EMC)

O equipamento elétrico médico deve ser instalado e utilizado de acordo com as informações de EMC incluídas neste manual.

Este produto foi testado e considerado em conformidade com os limites de EMC especificados pela norma IEC/EN 60601-1-2 para o equipamento de Classe B.

Os equipamentos de comunicações de RF portáteis e móveis podem afetar o funcionamento deste produto.

Outros dispositivos poderão sofrer interferências mesmo com os baixos níveis de emissões eletromagnéticas permitidos pela norma acima mencionada. Para determinar se as emissões deste produto estão a provocar a interferência, ligue e desligue o mesmo. Se a interferência com o funcionamento do outro dispositivo parar, significa que este produto está a causar a interferência. Nestes casos raros, poderá reduzir ou corrigir a interferência tomando uma das seguintes medidas:

- Reposicionar, mudar de sítio ou aumentar o espaço entre os dispositivos.

### 12.2 Emissões eletromagnéticas

#### Diretrizes e declaração do fabricante

Este produto destina-se a utilização no ambiente eletromagnético especificado abaixo. O cliente ou o utilizador deste produto deverá assegurar a sua utilização neste ambiente.


Teste de emissões	Conformidade	Ambiente eletromagnético – diretrizes
Emissões de RF CISPR 11	Grupo I	Este produto só utiliza energia de RF para a sua função interna. Como tal, as emissões de RF são muito baixas e não deverão causar interferências com o equipamento eletrónico circundante.
RF emissions CISPR 11	Classe B	Este produto é adequado para utilização em todos os estabelecimentos, incluindo zonas residenciais e aqueles diretamente ligados à rede pública de alimentação de baixa tensão que abastece edifícios para fins habitacionais.
Emissões de harmónicos IEC 61000-3-2	Classe A	
Variações de tensão/emissões de tremulação IEC 61000-3-3	Em conformidade	


### 12.3 Imunidade eletromagnética

#### Diretrizes e declaração do fabricante

Este produto destina-se a utilização no ambiente eletromagnético especificado abaixo. O cliente ou o utilizador deste produto deverá assegurar a sua utilização neste ambiente.

Teste de imunidade	Nível de teste/conformidade	Ambiente eletromagnético – diretrizes
Descarga eletrostática (ESD) IEC 61000-4-2	± 8 kV contacto ± 2 kV, ± 4 kV, ± 8 kV, ± 15 kV ar	O pavimento deve ser de madeira, betão ou mosaico cerâmico. Se o pavimento estiver revestido com material sintético, a humidade relativa deverá ser de, pelo menos, 30%.
Surto/transiente eletrostático IEC 61000-4-4	± 2 kV para linhas de alimentação; frequência de repetição 100 kHz ± 1 kV para linhas de entrada/saída; frequência de repetição 100 kHz	A qualidade da alimentação deverá corresponder a um ambiente comercial ou hospitalar típico.
Sobretensão IEC 61000-4-5	± 1 kV de linha a linha ± 2 kV de linha a terra	A qualidade da alimentação deverá corresponder a um ambiente comercial ou hospitalar típico.

Teste de imunidade	Nível de teste/conformidade	Ambiente eletromagnético – diretrizes
Quedas de tensão, interrupções curtas e variações de tensão nas linhas de entrada de alimentação IEC 61000-4-11	< 0% $U_T$ para 0,5 ciclo a incrementos de 45° 0% $U_T$ para 1 ciclo 70% $U_T$ para 25/30 ciclos < 5% $U_T$ para 250/300 ciclos	A qualidade da alimentação deverá corresponder a um ambiente comercial ou hospitalar típico. Se o utilizador deste produto necessitar de um funcionamento contínuo durante as interrupções da alimentação, recomenda-se que o produto seja alimentado a partir de uma fonte de alimentação ininterrupta ou de uma bateria.  $U_T$ é a tensão da rede CA antes da aplicação do nível de teste.
Campo magnético da frequência da alimentação (50/60 Hz) IEC 61000-4-8	30 A/m	Os campos magnéticos da frequência de alimentação deverão estar a níveis característicos próprios de um ambiente comercial ou hospitalar.
RF conduzida IEC 61000-4-6	3 V 150 kHz a 80 Mhz  6 V em bandas ISM e por radioamador	As intensidades de campo dos transmissores fixos, tais como estações de base para telefones de rádio (celulares/sem fios) e rádios móveis terrestres, radioamador, transmissão de rádio AM e FM e emissão de TV não podem ser previstas teoricamente com exatidão. Para avaliar o ambiente eletromagnético derivado dos transmissores de RF fixos, deve ser considerado um levantamento eletromagnético do local. Se a intensidade de campo medida na localização onde este produto é utilizado exceder o nível de conformidade de RF aplicável acima, este produto deverá ser monitorizado para conferir o seu funcionamento normal. Se for observado um desempenho anormal, serão necessárias medidas adicionais, tais como reorientar ou mudar o produto de local.  Podem ocorrer interferências nas proximidades de equipamento assinalado com o seguinte símbolo: 
RF irradiada IEC 61000-4-3	10 V/m 80 Mhz a 2,7 GHz  Para as especificações do teste de 385 MHz - 5785 MHz para imunidade relativamente a equipamentos de comunicações sem fios de RF, consulte a tabela 9 da norma IEC 60601-1-2:2014	Os equipamentos de comunicações de RF portáteis e móveis não devem ser utilizados a uma distância inferior a 30 cm de qualquer parte deste produto (incluindo cabos).

 Estas diretrizes podem não se aplicar a todas as situações. A propagação eletromagnética é afetada pela absorção e reflexão em estruturas, objetos e pessoas.

## Invacare Distributors

### Ireland:

Invacare Ireland Ltd,  
Unit 5 Seatown Business Campus  
Seatown Road, Swords, County  
Dublin  
Tel : (353) 1 810 7084  
Fax: (353) 1 810 7085  
ireland@invacare.com  
www.invacare.ie

### United Kingdom:

Invacare Limited  
Pencoed Technology Park, Pencoed  
Bridgend CF35 5AQ  
Tel: (44) (0) 1656 776 222  
Fax: (44) (0) 1656 776 220  
uk@invacare.com  
www.invacare.co.uk

### Danmark:

Invacare A/S  
Sdr. Ringvej 37  
DK-2605 Brøndby  
Tel: (45) (0)36 90 00 00  
Fax: (45) (0)36 90 00 01  
denmark@invacare.com  
www.invacare.dk

### Deutschland:

Invacare GmbH,  
Alemannenstraße 10  
D-88316 Isny  
Tel: (49) (0)7562 700 0  
kontakt@invacare.com  
www.invacare.de

### Österreich:

Invacare Austria GmbH  
Herzog-Odilo-Straße 101  
A-5310 Mondsee-Tiefgraben  
Tel: (43) 6232 5535 0  
Fax: (43) 6232 5535 4  
info-austria@invacare.com  
www.invacare.at

### Schweiz / Suisse / Svizzera:

Invacare AG  
Benkenstrasse 260  
CH-4108 Witterswil  
Tel: (41) (0)61 487 70 80  
Fax: (41) (0)61 487 70 81  
switzerland@invacare.com  
www.invacare.ch

### España:

Invacare SA  
Avda. Del Oeste n.50, 1ª, 1ª  
Valencia-46001  
Tel: (34) (0)972 49 32 14  
contactsp@invacare.com  
www.invacare.es

### France:

Invacare Poirier SAS  
Route de St Roch  
F-37230 Fondettes  
Tel: (33) (0)2 47 62 64 66  
Fax: (33) (0)2 47 42 12 24  
contactfr@invacare.com  
www.invacare.fr

### Italia:

Invacare Mecc San s.r.l.,  
Via dei Pini 62,  
I-36016 Thiene (VI)  
Tel: (39) 0445 38 00 59  
Fax: (39) 0445 38 00 34  
italia@invacare.com  
www.invacare.it

### Nederland:

Invacare BV  
Galvanistraat 14-3  
NL-6716 AE Ede  
Tel: (31) (0)318 695 757  
Fax: (31) (0)318 695 758  
nederland@invacare.com  
www.invacare.nl

### Belgium & Luxemburg:

Invacare nv  
Autobaan 22  
B-8210 Loppem  
Tel: (32) (0)50 83 10 10  
Fax: (32) (0)50 83 10 11  
belgium@invacare.com  
www.invacare.be

### Norge:

Invacare AS  
Grensesvingen 9, Postboks 6230,  
Etterstad  
N-0603 Oslo  
Tel: (47) (0)22 57 95 00  
Fax: (47) (0)22 57 95 01  
norway@invacare.com  
www.invacare.no

### Portugal:

Invacare Lda  
Rua Estrada Velha, 949  
P-4465-784 Leça do Balio  
Tel: (351) (0)225 1059 46/47  
Fax: (351) (0)225 1057 39  
portugal@invacare.com  
www.invacare.pt

### Suomi:

Camp Mobility  
Patamäenkatu 5, 33900 Tampere  
Puhelin 09-35076310  
info@campmobility.fi  
www.campmobility.fi

### Sverige:

Invacare AB  
Fagerstagatan 9  
S-163 53 Spånga  
Tel: (46) (0)8 761 70 90  
Fax: (46) (0)8 761 81 08  
sweden@invacare.com  
www.invacare.se

### Australia:

Invacare Australia Pty. Ltd.  
1 Lenton Place, North Rocks NSW  
2151  
Australia  
Phone: 1800 460 460  
Fax: 1800 814 367  
orders@invacare.com.au  
www.invacare.com.au

### New Zealand:

Invacare New Zealand Ltd  
4 Westfield Place, Mt Wellington  
1060  
New Zealand  
Phone: 0800 468 222  
Fax: 0800 807 788  
sales@invacare.co.nz  
www.invacare.co.nz



Invacare Portugal, Lda  
Rua Estrada Velha 949  
4465-784 Leça do Balio  
Portugal

