

Archimedes

user instructions



English

Deutsch

Français

Nederlands

Italiano

Español

Simple solutions for everyday independence

English

The Archimedes by Mangar International, is a light weight battery powered actuator driven bathlift, designed to be easily operated. The Archimedes will give many years of trouble free bathing, requiring only routine cleaning and battery recharging.



WARNINGS

- Ensure that you have read and fully understand these instructions before attempting to operate the Archimedes.
- The Archimedes should only be used as a bathing aid, NEVER use it out of a bath.
- Ensure that the suction cups adhere firmly to the bath before use.
- The Archimedes is designed to go as low as possible in the bath. In baths with exceptionally narrow or curved sides/bases, it may be unsuitable. Always check that the chair section is free to lower to its full extent and rise again freely. Be certain that it is positioned correctly before use.
- Do not allow the Archimedes to lie on its back in the bath water.
- Ensure that the transfer flaps will be clear of any obstructions, such as bath handles and soap dishes, as the seat section is raised.
- Only recharge the battery with the Mangar International battery charger supplied with the Archimedes.
- NEVER recharge the battery in the bathroom, outdoors or in a damp environment.
- Do not use in the presence of flammable anaesthetic mixtures with air, oxygen or nitrous oxide.
- Do not operate the actuator when it is disconnected from the base.
- Do not use the Archimedes as a support to steady yourself when cleaning the bath or when reaching into the bath to retrieve items.
- Disconnect the hand control from the actuator before transporting so as to avoid accidental operation of the lifting mechanism.
- The suction cups on the base section and on the hand control contain latex. No other part of the product or associated packaging contains latex.

English	Pg 2
Deutsch	Pg 10
Français	Pg 18
Nederlands	Pg 26
Italiano	Pg 34
Español	Pg 42

CONTENTS

Standard Contents	Pg 3
Getting Started	Pg 3
Fitting the Archimedes in the bath	Pg 4
Hand Control	Pg 4
Battery State Indicator	Pg 4
Emergency 'Stop' Button	Pg 5
Using the Archimedes	Pg 5
Removing the Archimedes from the bath	Pg 5
Battery Charging	Pg 6
Cleaning	Pg 6
Storage	Pg 6
Maintenance	Pg 7
Fault Finding	Pg 7
Specifications	Pg 7
Parts List	Pg 8
Symbols used on labels and instructions	Pg 8
Warranty	Pg 9

Standard Contents

- 1 x Archimedes Bathlift (inc. two transfer flaps) **(A)** fig.1).
- 1 x Sealed Hand Control **(B)**.
- 1 x Battery charger **(C)**.
- 1 x User Instructions.

Getting Started

Unpacking - Remove the contents from the packaging and check them to make sure that no damage has been caused during transit. If it has, contact your supplier immediately.

Battery - This must be put on charge before using your Archimedes for the first time as follows:

- 1
 - Connect the hand control to the battery charger and plug the charger into a mains power supply **OUTSIDE THE BATHROOM** and allow the battery to charge overnight (see "Battery Charging").

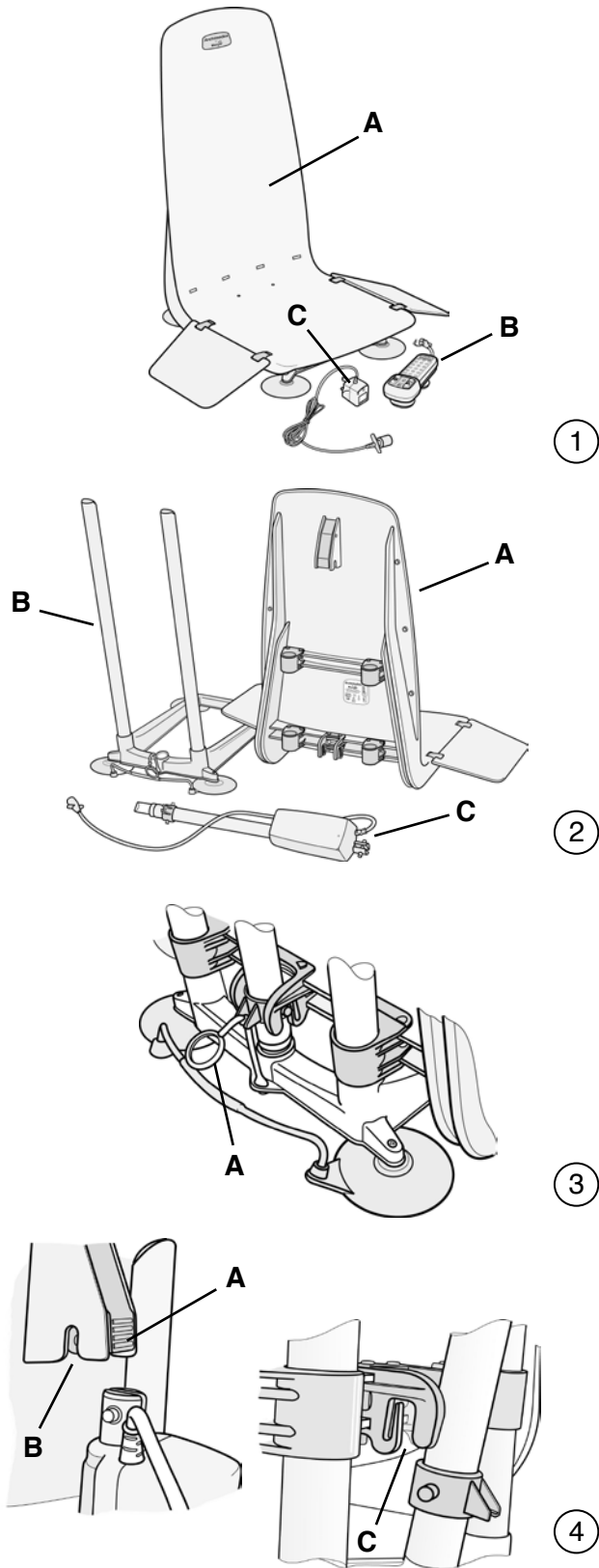
Seat and base sections - The Archimedes can be easily separated into three sections (fig.2).

- Seat section **(A)**
- Base section **(B)**
- Actuator **(C)**

To separate the seat from the base section and actuator:

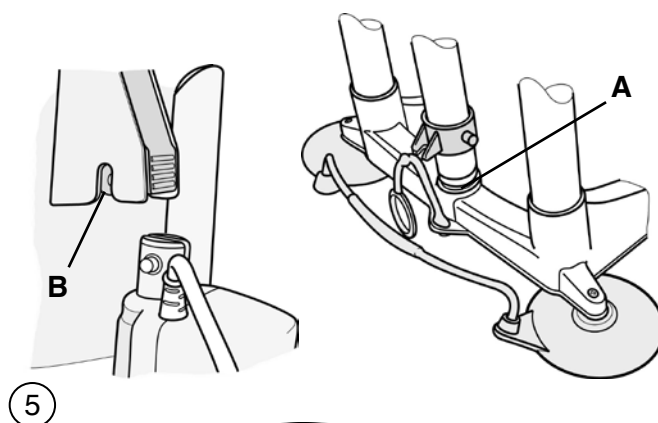
- 2
 - Fully lower the seat and fold the transfer flaps onto the seat.
 - Release the transit tie **(A)** fig.3) by pulling up the 'O' ring and lifting the ball clear of the slot in the locating collar on the actuator.
 - Press the lower part of the latch at the back of the seat **(A)** fig. 4) and lift the seat sufficiently to allow the actuator to disengage itself from the slot **(B)** and the actuator locator bracket **(C)**. The actuator can now be removed from the base section.
 - Lift the seat section clear of the base section.
 - Reassemble in the reverse order. Do not reattach the transit tie unless you are intending to carry the assembled Archimedes.

The transit tie should only be reattached to the back of the seat section in order to keep both the seat and base sections together whilst carrying the Archimedes.



Fitting the Archimedes in the bath

- Before placing the Archimedes in a bath, check that the surface where the suction cups will be sitting is clean and free from bath oil and cleaning residue. Remove anti-slip matting from this area. **WARNING:** The suction cups may not adhere properly on textured and non-slip areas of a bath.
- Remove the actuator and seat section from the base (see "Getting Started"). Moisten each of the suction cups and place the base section as close to the back slope of the bath as possible. Reposition the actuator in the socket at the back of the base unit (**A** fig.5).
- Fold the transfer flaps onto the seat and slide the seat section onto the base section.
- Position the top end of the actuator into the slot in the latch (**B**) at the back of the seat section and make sure that it 'clicks' into place. **NOTE:** Ensure that the seat can slide freely up and down before using the Archimedes (Fig 6).
- Plug the hand control into the actuator lead and close the retaining clip (**A** fig 7).
- Fill the bath with water at a suitable temperature.



5

Hand Control

The hand control is a completely sealed unit containing a rechargeable battery and battery state indicator light; it contains no user serviceable parts. DO NOT attempt to open.

Battery State Indicator

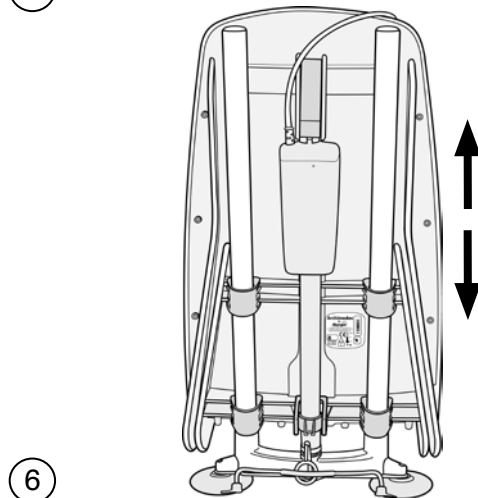
When either the 'Up' or 'Down' buttons are pressed, the indicator light (**A** fig.8) shows the state of the battery as follows:

GREEN - OK to use.

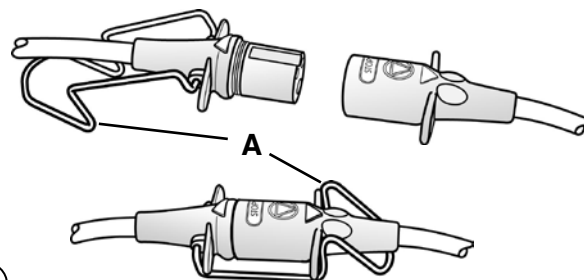
FLASHING GREEN - OK to use but the battery needs to be recharged after this bath.

RED - The battery needs recharging before use. The seat will not lower. **NOTE:** The microprocessor in the hand control will not allow the seat to be lowered if it detects that there will not be enough battery power to raise it again.

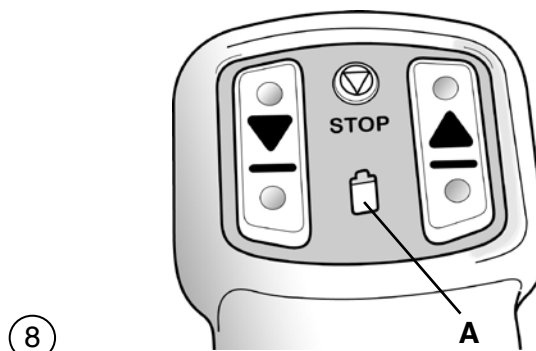
The battery is not replaceable. When it reaches the end of its working life, indicated by failure to accept or retain charge (frequently showing red on the battery state indicator), the complete hand control will need to be replaced with a new one. It should be disposed of in accordance with local regulations or returned to your supplier or to Mangar International for safe disposal. DO NOT dispose of the hand control with your normal household waste.



6



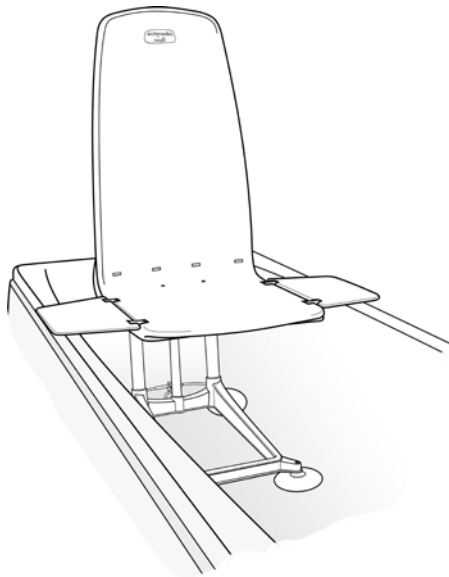
7



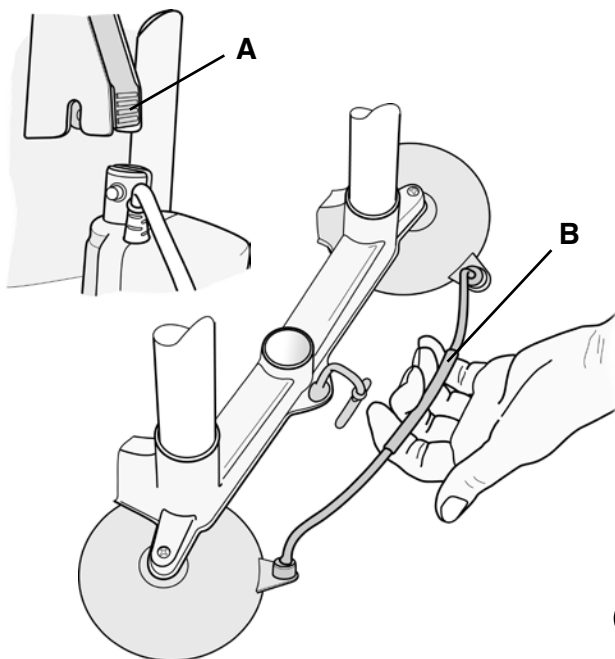
8



9



10



11

Emergency Stop Button

In an emergency, the seat movement can be stopped at any time by pressing the '**STOP**' button on the hand control (**A** fig.9).

NOTE: Releasing the 'Up' or 'Down' buttons at any time will also stop the seat movement.

Using the Archimedes

WARNING: Please note that the hand control incorporates an important safety feature which will ensure that the seat cannot be lowered unless there is sufficient battery power to raise it again. To action this feature effectively **ALWAYS RAISE THE SEAT USING THE HAND CONTROL** and USE IT to lower yourself into the bath.

- Press the 'Up' button on the hand control to raise the seat.
- Release the 'Up' button when the seat is level with the edge of the bath. **NOTE:** Make sure that the transfer flap is level with, and supported on, the edge of the bath (fig.10) before transferring.
- Sit on the flap and transfer across onto the seat.
- Press the 'Down' button to lower yourself. Releasing the button at any point will stop the seat.
- To raise the seat, press the 'Up' button. Release the button when the transfer flap is level with, and supported on, the edge of the bath.

Removing the Archimedes from the bath

- Fully lower the seat.
- Fold the transfer flaps onto the seat.
- Press the latch at the back of the seat (**A** fig.11) and lift the seat clear of the base.
- Lift out the actuator.
- Lift the suction cup release handle at the back of the base section (**B** fig.11) and tilt the base forwards.
- Continue tilting the base forwards. This will automatically release the suction on the front suction cups and the base section can then be lifted from the bath. **NOTE:** DO NOT use the suction cup release handle (**B**) to tilt or lift the base section. NEVER attempt to release suction on the rear suction cups by pulling on the guide bars.

Battery Charging

- Disconnect the hand control from the actuator.
- Connect the hand control to the battery charger (fig.12).
- Plug the battery charger into a mains power supply outside of the bathroom and switch on. The amber light on the charger (**A** fig.12) will light up to indicate that the charger is properly connected and charging.

When the battery needs recharging, the hand control should be left on charge over night. The hand control can be left on charge continuously without damaging the battery or charger. **We recommend that the hand control is left continuously on charge when the Archimedes is not in use, as a matter of routine.**

Cleaning

Regularly clean your Archimedes with the same non-abrasive cleaners that you normally use on your bath. It is best to separate the seat and base sections prior to cleaning. The Archimedes can be disinfected using a proprietary sterilising solution such as 'Milton' or other antibacterial cleaner.

Regular cleaning will help to prolong the life and efficiency of your Archimedes bathlift.

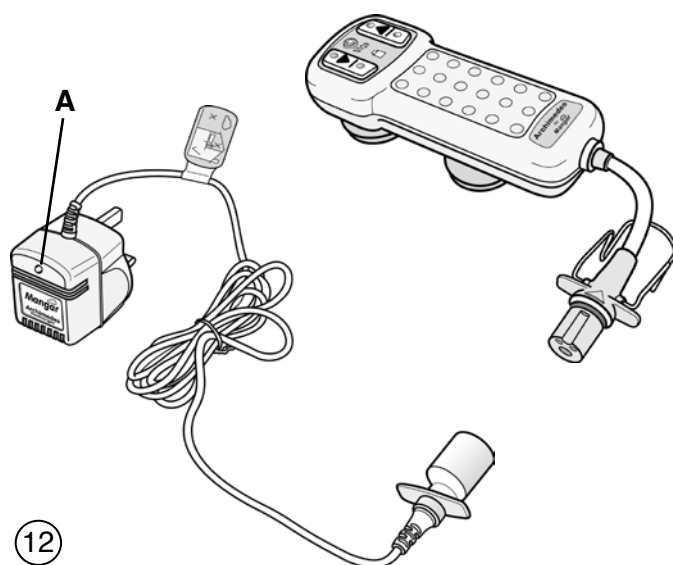
NOTE: It is especially important to thoroughly clean your Archimedes after each bath if 'Dettol' or similar products have been added to the bath water.

Storage

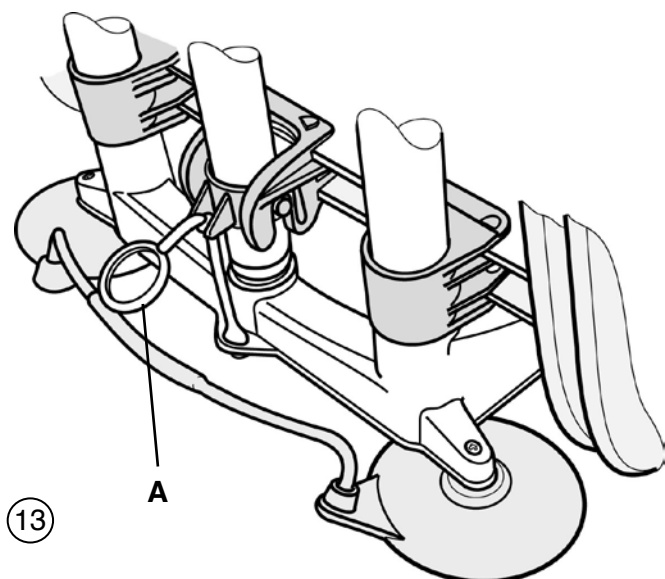
The Archimedes should be stored with the seat section fully lowered and the hand control disconnected. During long term storage, it is recommended that at approximately three month intervals, the battery is put on charge overnight.

When stored for long periods, ensure that the Archimedes is thoroughly dry and stored in a dry environment.

The transit tie (**A** fig.13) should be attached to the seat section to allow the Archimedes to be easily picked up and moved.



12



13

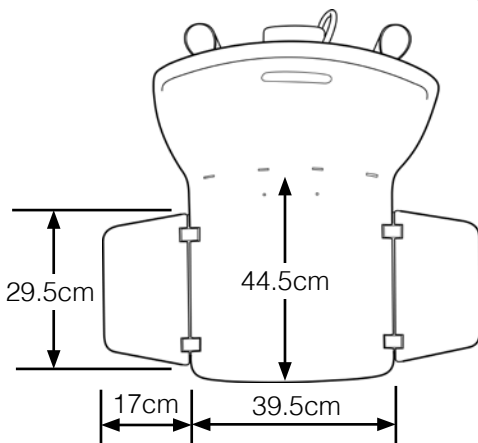
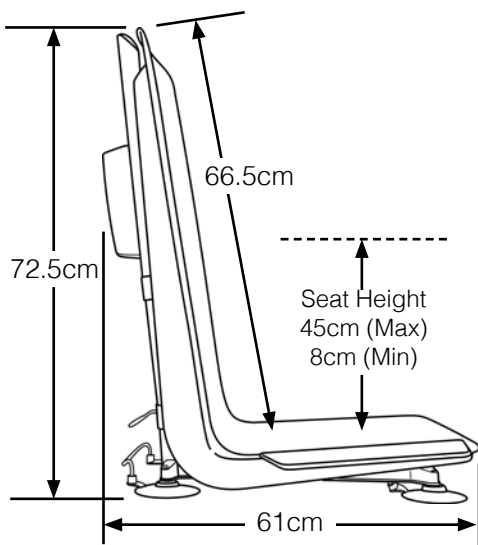
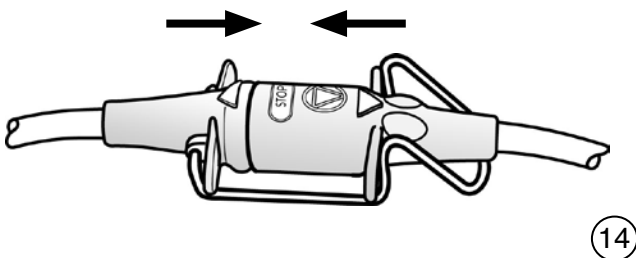
Maintenance

Other than routine cleaning, the Archimedes has been designed to be maintenance free, however, we recommend that your Archimedes is inspected annually by either your supplier or other suitably qualified person.

PLEASE NOTE: If the Archimedes is used with the assistance of a professional carer, the Archimedes becomes classed as 'work equipment' under the 'Lifting Operations and Lifting Equipment Regulations 1998 (LOLER)' and would recommend that the Archimedes undergoes a thorough examination at intervals not exceeding 24 months, in accordance with the 'Thorough Examination Schedule' - available through Mangar International.

If required, Mangar International can provide the above inspection within an annual service contract. Please contact our Customer Service Department for further details.

There are no user-serviceable parts in the Archimedes. Repairs or servicing must only be carried out by your supplier or other authorised person.



Fault Finding

If the seat fails to rise:

- Check that the hand control plug is FULLY pushed into the actuator lead socket (fig.14).

If the seat fails to lower:

- Check to see if the battery state indicator light is showing RED. If it is, put the hand control on charge overnight.
- Check that the hand control plug is FULLY pushed into the actuator lead socket (fig.14).

Specifications

Archimedes

Max.user weight:	165kg (26st/364lbs)
Total weight:	10kg
Seat section only:	5,2kg
Base section only:	2,8kg
Actuator:	2 kg
Seat height (Min/Max):	8cm/45cm
Actuator power input:	12V: 7,5A
Environmental protection:	IP66

Hand Control (Battery)

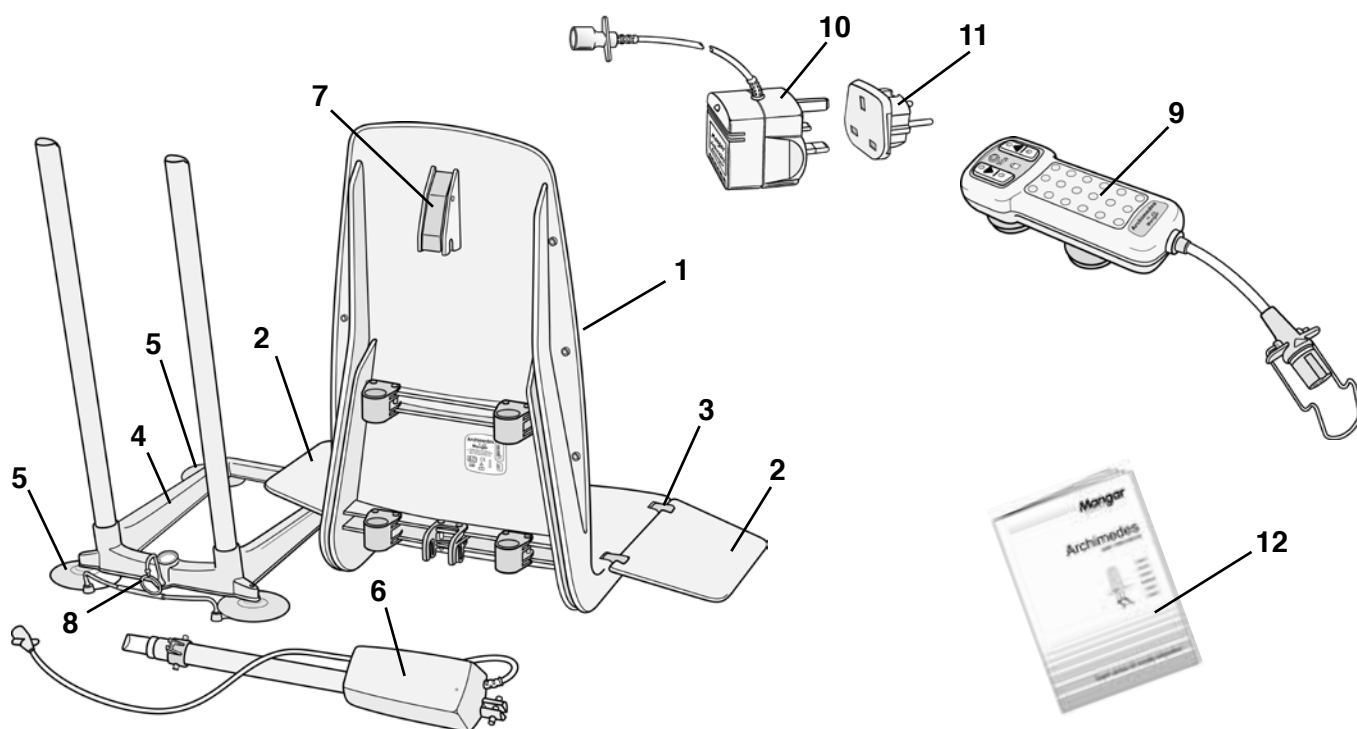
Type:	Ni-Cd
Output (Max):	14V: 10A
Internal protection:	Self resetting fuse
Environmental protection:	IP67

Battery Charger

AC Input:	230V: 1,22VA: 50-60Hz
DC Output:	17.4V: 70mA
Internal protection:	Self resetting thermal cut-out
Environmental protection:	IP50
Double insulated Class II Equipment	
This product is suitable for transporting in aircraft.	

Parts List

1	Seat Assembly	LA0010	8	Transit Tie	LA0017
2	Flap	LA0011	9	Hand Control	LA0018
3	Hinge (Set of 2)	LA0012	10	Battery Charger	LA0019
4	Base Assembly	LA0013	11	European Electrical Adaptor	LA0020
5	Suction Cup (Set of 2)	LA0014	12	Instruction Booklet	MI0173
6	Actuator Assembly	LA0015			
7	Actuator Latch	LA0016			



Symbols used on labels and instructions

	Attention		Dangerous Voltage		Emergency 'STOP' button		Hot Surface
	Consult instructions		Type BF equipment (Protection against electric shock)		Press to raise seat		Duty cycle 1 = Operating time 0 = Non operating time
	Alternating Current		Battery State Indicator		Press to lower seat	IP 66	Sealed against the effects of showers
	Direct Current		Max/Min Operating Environmental Temperature		Date of manufacture	IP 67	Sealed against the effects of immersion in water to a depth of 1 metre
	Class II Double Insulated Equipment		Maximum user weight limit		Recycle do not dispose of in household waste	IP 50	No protection against water ingress
	Do not connect to mains power in a bathroom or outdoors						

Product Disposal

Dispose of in accordance with local regulations. For further guidance, please contact your supplier.

Warranty

The guarantee is given against defects in material and workmanship and comprises piece, parts and labour. The guarantee is not valid in the case of fair wear and tear, wilful damage, common neglect, misuse or unauthorised alteration or repair by unqualified persons.

The following statements do not affect the consumer's statutory rights. This product is sold on the understanding that in the event of any defect of manufacture or material appearing within the warranty period, the defect will be rectified free of charge providing that:

- (a) Reasonable evidence is provided (e.g. purchase invoice, delivery note) that the claim is being made within the warranty period.
- (b) The defect is not attributable to accidental damage (either in transit or otherwise), misuse or unauthorised repair.

Archimedes serial number:

Date of purchase:

Invoice/Delivery note number:

We strive to provide our customers with reliable and durable products of the highest quality. In addition to our standard warranty, and for added peace of mind, our Customer Service Department offers an **Annual Service and Clean package**.

To find out more about this service please call our Customer Service Department on **Freephone 0800 2800 485**.

Mangar International reserves the right to alter product specifications and/or any of the information contained within this document without notice.

Deutsch

Der Mangar International Archimedes ist ein leichter, Batterie-gespeister Badewannenlift, der von einem Antriebselement betätigt wird und für eine einfache Bedienung konzipiert wurde. Der Archimedes lässt sich viele Jahre störungsfrei benutzen und erfordert nur eine regelmäßige Reinigung und das Aufladen der Batterie.



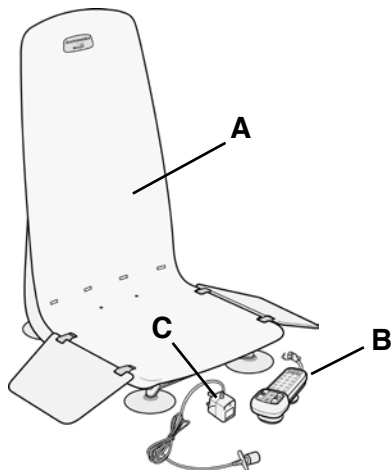
VORSICHT!

- Lesen Sie diese Bedienungsanleitung unbedingt aufmerksam durch und stellen Sie sicher, dass Sie alles verstanden haben, bevor Sie den Archimedes verwenden.
- Der Archimedes darf nur als Badehilfe benutzt werden. Verwenden Sie ihn daher keinesfalls außerhalb der Badewanne.
- Überzeugen Sie sich, dass alle Saugnäpfe fest an der Badewanne anhaften, bevor Sie den Archimedes benutzen.
- Der Archimedes wurde mit dem Ziel entwickelt, so tief wie möglich in die Badewanne einzutauchen. Er ist eventuell ungeeignet für besonders enge Badewannen oder Badewannen mit geschwungener Seiten-/Bodenfläche. Überprüfen Sie stets, dass der Sitz ungehindert vollständig abgesenkt und auch wieder angehoben werden kann. Stellen Sie sicher, dass er vor der Verwendung richtig positioniert ist.
- Lassen Sie den Archimedes keinesfalls mit der Unterseite nach oben im Badewasser liegen.
- Sicherstellen, dass die Umsteigklappen weder an Hindernissen wie Badewannengriffe noch Seifenschalen hängen bleiben können, wenn das Sitzteil angehoben wird.
- Laden Sie die Batterie nur mit dem Mangar Batterieladegerät auf, das zusammen mit dem Archimedes geliefert wird.
- Laden Sie die Batterie keinesfalls in einem Badezimmer, im Freien oder in einer feuchten Umgebung auf.
- Benutzen Sie das Gerät nicht, wenn entzündliche Anästhesiemischungen mit Luft, Sauerstoff oder Stickstoffdioxid vorhanden sind.
- Betätigen Sie das Antriebselement nicht, wenn es vom Geräteunterteil getrennt ist.
- Benutzen Sie den Archimedes nicht, um sich abzustützen, wenn Sie die Badewanne reinigen oder sich in die Badewanne lehnen, um Gegenstände aus ihr herauszunehmen.
- Trennen Sie vor dem Transport die Handbedienung vom Antriebselement, um einen unbeabsichtigten Betrieb der Hebeeinrichtung zu vermeiden.
- Die Saugnäpfe am Bodenelement und an der Handsteuerung enthalten Latex. Alle anderen Bestandteile des Produktes und deren Verpackung sind latexfrei.

English	Pg 2
Deutsch	Pg 10
Français	Pg 18
Nederlands	Pg 26
Italiano	Pg 34
Español	Pg 42

INHALT

Standard-Lieferumfang	Pg 11
Erste Schritte	Pg 11
Installieren des Archimedes in der Badewanne	Pg 12
Handbedienung	Pg 12
Batteriezustandsanzeige	Pg 12
Notfall-Stop-Taste	Pg 13
Bedienen des Archimedes	Pg 13
Entfernen des Archimedes aus der Badewanne	Pg 13
Laden der Batterie	Pg 14
Reinigung	Pg 14
Lagerung	Pg 14
Pflegehinweise	Pg 15
Fehlersuche	Pg 15
Technische Daten	Pg 15
Teilleiste	Pg 16
Für Produktaufkleber und Bedienungsanleitung verwendete Symbole	Pg 16
Garantie	Pg 17



1

Standard-Lieferumfang

- 1 x Archimedes Badewannenlift (mit zwei Seitenklappen zur Körperführung) (A Abb.1).
- 1 x Gekapselte Handbedienung (B).
- 1 x Batterieladegerät (C).
- 1 x Gebrauchsanweisung.

Erste Schritte

Auspacken – Nehmen Sie alle Teile aus der Verpackung, prüfen Sie die Vollständigkeit des Packungsinhalts und überzeugen Sie sich, dass während des Transport keine Teile beschädigt worden sind. Falls Sie eine Beschädigung feststellen, wenden Sie sich bitte sofort an Ihren Händler.

Batterie – Bevor Sie den Archimedes benutzen können, müssen Sie die Batterie zuerst auf folgende Weise aufladen:

- Schließen Sie die Handbedienung erst an das Batterieladegerät und dann das Batterieladegerät an eine Steckdose AUSSERHALB DES BADEZIMMERS AN. Lassen Sie die Batterie dann über Nacht aufladen (siehe "Laden der Batterie").

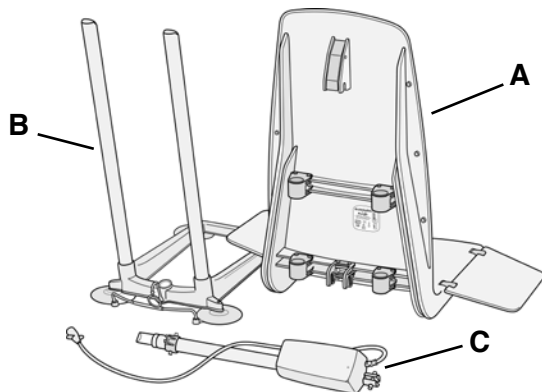
Sitz und Gestell – Sie können den Archimedes ganz leicht in drei Teile zerlegen (Abb. 2).

- Sitzteil (A)
- Gestell (B)
- Antriebselement (C)

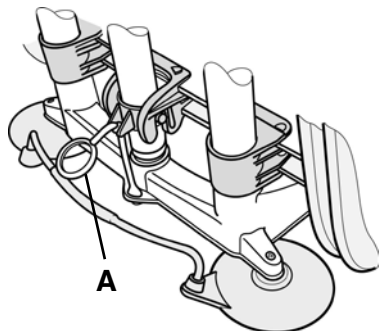
Trennen des Sitzes von Gestell und Antriebselement:

- Senken Sie den Sitz ganz ab und klappen Sie die Seitenklappen dann auf den Sitz.
- Lösen Sie die Transportsicherung (A in Abb. 3), indem Sie den Zugring nach oben ziehen und die Sicherungskugel aus der Öffnung in der Positioniermanschette am Schaft des Antriebselements herausheben..
- Halten Sie das untere Ende der Verriegelung auf der Rückseite der Rückenlehne (A in Abb. 4) gedrückt, während Sie den Sitz so weit anheben, bis sich das Antriebselement aus der Kerbe in der Verriegelung (B) und der Halterung des Antriebselements (C) löst. Sie können das Antriebselement jetzt vom Gestell abnehmen.
- Heben Sie den Sitz vom Gestell ab.
- Bauen Sie die Teile in umgekehrter Reihenfolge wieder zusammen. Schließen Sie die Transportsicherung erst wieder, wenn Sie den zusammengebauten Archimedes transportieren möchten.

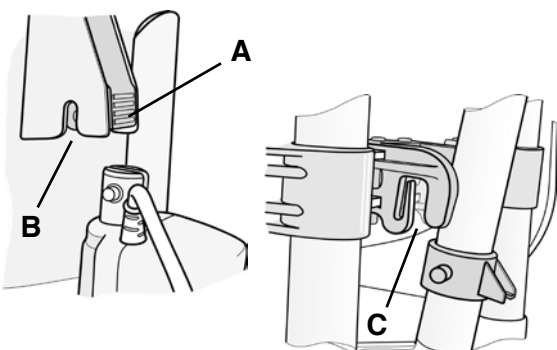
Die Transportsicherung auf der Rückseite des Sitzes darf nur geschlossen werden, um den Sitz und das Gestell zusammenzuhalten, während der Archimedes transportiert wird.



2



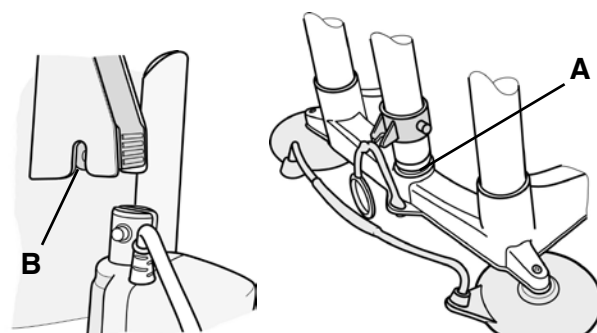
3



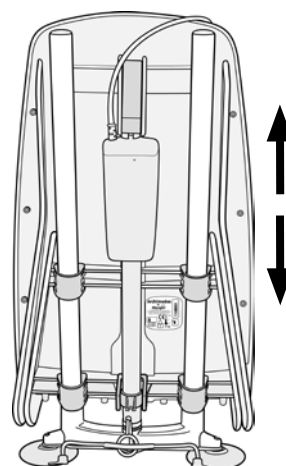
4

Installieren des Archimedes in der Badewanne

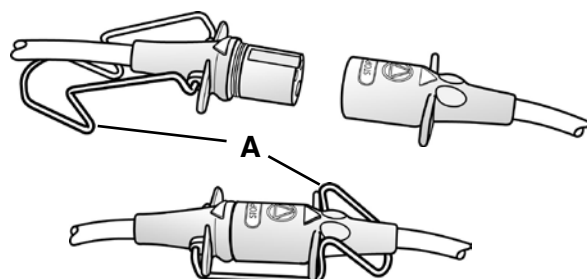
- Bevor Sie den Archimedes in die Badewanne setzen, überzeugen Sie sich zuerst, dass die Flächen, an denen die Saugnäpfe anhaften, sauber und frei von Badeöl- und Reinigungsmittelrückständen sind. Entfernen Sie gegebenenfalls Anti-Rutsch-Matten aus dem Bereich der Badewanne, in dem die Saugnäpfe anhaften. **VORSICHT!** Die Saugnäpfe haften möglicherweise nicht richtig auf angerauten oder rutschhemmenden Flächen der Badewanne.
- Nehmen Sie das Antriebselement und den Sitz vom Gestell ab (siehe "Erste Schritte"). Befeuchten Sie alle Saugnäpfe und stellen Sie das Gestell möglichst nah an der hinteren Badewannenkrümmung auf. Setzen Sie das Antriebselement wieder in die Aufnahmebuchse auf der Rückseite des Gestell ein (**A** Abb.5).
- Die Umsteigklappen auf den Sitz falten und das Sitzteil auf das Basisteil gleiten lassen. Das obere Ende des Stellteils an dem Schlitz in dem Verschluss (**B**) platzieren und sicherstellen, dass es "einrastet". **ANMERKUNG:** Sicherstellen, dass der Sitz sich frei nach oben und unten bewegen kann, ehe der Archimedes benutzt werden kann (Abb. 6).
- Verbinden Sie den Stecker der Handbedienung mit der Buchse am Anschlusskabel des Antriebselements und schließen Sie die Halteschelle (**A** Abb. 7).
- Füllen Sie die Badewanne mit wohltemperiertem Wasser



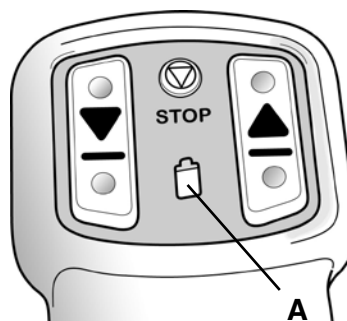
5



6



7



8

Handbedienung

Die Handbedienung ist eine komplett abgedichtete Einheit, die eine wiederaufladbare Batterie und eine Batteriestatus-Kontrolllampe enthält; sie enthält keine vom Benutzer zu reparierenden Teile. Versuchen Sie NICHT die Handbedienung zu öffnen.

Batteriezustandsanzeige

Wenn Sie die Auf- 'Hoch' oder Abwärtstaste 'Runter' drücken, gibt die Kontrolllampe (**A** in Abb. 8) den Zustand der Batterie auf folgende Weise an:

GRÜN (Dauerlicht) – Die Batterie ist voll aufgeladen.

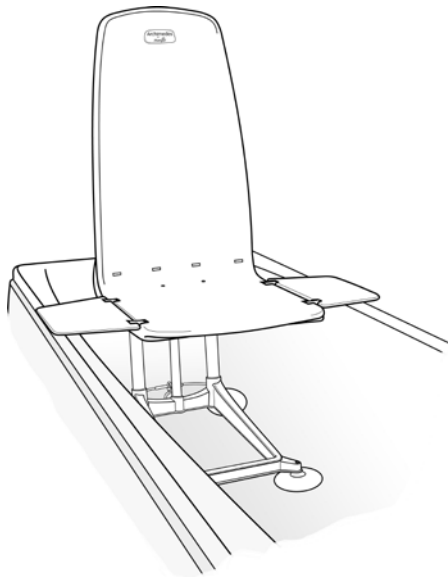
GRÜN (Blinklicht) – Die Batterie ist noch ausreichend aufgeladen, muss nach der Benutzung aber aufgeladen werden.

ROT (Dauerlicht) – Die Batterie muss noch vor der Benutzung aufgeladen werden. Der Sitz kann nicht mehr abgesenkt werden. **HINWEIS:** Der Mikroprozessor in der Handbedienung lässt das Absenken des Sitzes nicht zu, wenn er feststellt, dass die Batterie nicht mehr genügend Leistung hat, um den Sitz auch wieder anzuheben.

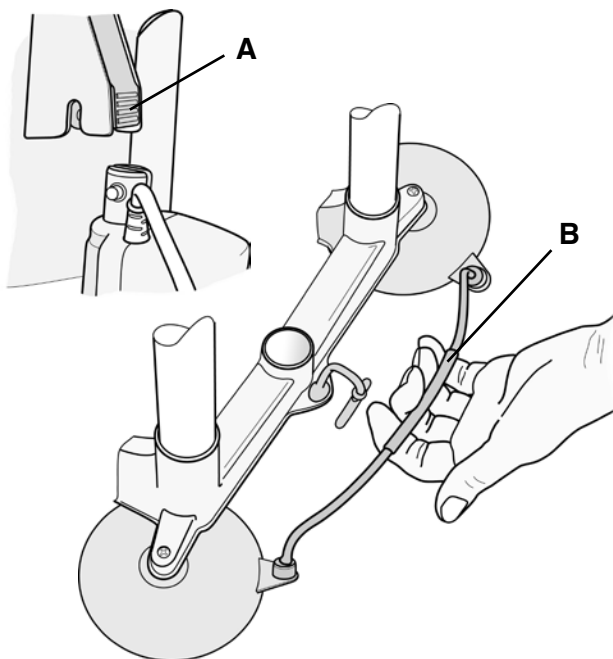
Die Batterie kann nicht ausgewechselt werden. Am Ende der Batterielebensdauer muss die komplette Handbedienung durch eine neue ersetzt werden. Sie ist erreicht, wenn die Batterie nicht mehr aufgeladen werden kann oder keine Ladung mehr behält. (Die Batteriezustandsanzeige leuchtet dann häufiger mit rotem Dauerlicht.) Sie sollten die Handbedienung dann zur sicheren Entsorgung an Ihren Händler oder an Mangar International zurückgeben. Entsorgen Sie die Handbedienung **keinesfalls** im normalen Hausmüll.



9



10



11

Notfall-Stop-Taste

Im Notfall kann die Bewegung des Sitzes zu jeder Zeit angehalten werden, indem man die STOP-Taste an der Handbedienung betätigt. (A Abb. 9).

Hinweis: Das Betätigen der Aufwärts- oder Abwärtstaste, wird jederzeit die Bewegung des Sitzes stoppen.

Bedienen des Archimedes

VORSICHT! Bitte beachten Sie, dass der Handregler eine wichtige Sicherheitsfunktion hat, die garantiert, dass der Sitz nicht heruntergelassen werden kann, wenn nicht genügend Batterieleistung vorhanden ist, um ihn wieder anzuheben. Um diese Funktion effektiv zu aktivieren, **IMMER DEN SITZ MIT DEM HANDREGLER ANHEBEN** und IHN NUTZEN, um sich in die Badewanne herabzulassen.

- Drücken Sie auf der Handbedienung die Aufwärtstaste 'Hoch' um den Sitz anzuheben.
- Lassen Sie die Aufwärtstaste 'Hoch' los, wenn der Sitz in einer Höhe mit dem Badewannenrand steht. **HINWEIS:** Achten Sie darauf, dass sich die Seitenklappen auf einer Höhe mit dem Badewannenrand befinden und sicher auf dem Badewannenrand aufliegen (Abb. 10), bevor Sie sich auf den Sitz setzen.
- Setzen Sie sich auf die Seitenklappe und schieben Sie sich dann vorsichtig auf den Sitz.
- Drücken Sie auf der Handbedienung die Abwärtstaste 'Runter' um den Sitz abzusenken. Sie können die Abwärtstaste jederzeit loslassen, um den Sitz an einer beliebigen Position anzuhalten.
- Drücken Sie die Aufwärtstaste 'Hoch' um den Sitz anzuheben. Lassen Sie die Aufwärtstaste los, wenn sich die Seitenklappen auf einer Höhe mit dem Badewannenrand befinden und sicher auf dem Badewannenrand aufliegen.

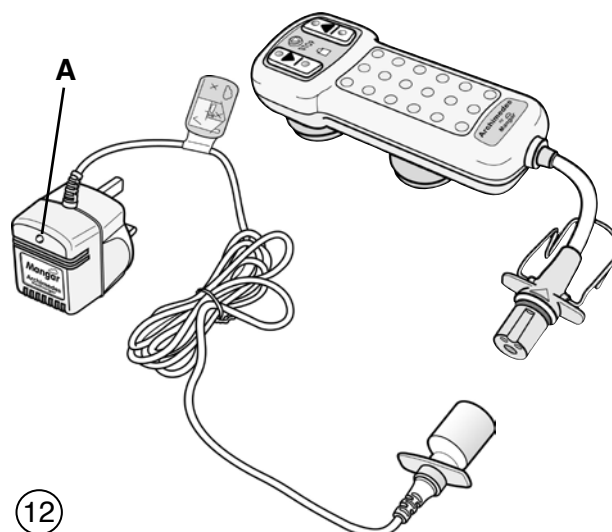
Entfernen des Archimedes aus der Badewanne

- Senken Sie den Sitz ganz ab.
- Klappen Sie die Seitenklappen auf den Sitz.
- Drücken Sie auf die Verriegelung auf der Rückseite der Rückenlehne (A in Abb. 11) und heben Sie den Sitz vom Gestell ab.
- Heben Sie das Antriebselement heraus.
- Heben Sie den Saugnapflösebügel auf der Rückseite des Gestell an (B in Abb. 11) und neigen Sie das Gestell etwas nach vorn.
- Neigen Sie das Geräteunterteil weiter nach vorn. Hierdurch wird die Saugwirkung der vorderen Saugnapfe automatisch aufgehoben, sodass Sie das Gestell aus der Badewanne heben können. **HINWEIS:** Benutzen Sie den Saugnapflösebügel (B) nicht, um das Gestell anzuheben oder zu neigen. Versuchen Sie keinesfalls die Saugwirkung der hinteren Saugnapfe aufzuheben, indem Sie an den Führungsschienen ziehen.

Laden der Batterie

- Trennen Sie die Handbedienung vom Antriebselement.
- Schließen Sie die Handbedienung an das Batterieladegerät an (Abb. 12).
- Stecken Sie das Batterieladegerät in eine Hauptstromversorgung außerhalb des Badezimmers und schalten Sie es an. Das Alarmsignal auf dem Ladegerät (**A** Abb. 12) wird aufleuchten, um anzuzeigen, dass das Ladegerät richtig angeschlossen wurde und lädt.

Wenn die Batterie aufgeladen werden muss, sollten Sie die Handbedienung zum Aufladen der Batterie über Nacht an das Batterieladegerät angeschlossen lassen. Sie können die Handbedienung ständig angeschlossen lassen, ohne dass die Batterie oder das Batterieladegerät beschädigt wird. **Es wird empfohlen, die Handbedienung immer am Batterieladegerät angeschlossen zu lassen, wenn der Archimedes gerade nicht benutzt wird.**



Reinigung

Reinigen Sie Ihren Archimedes regelmäßig mit denselben nicht scheuernden Reinigungsmitteln, die Sie auch für Ihre Badewanne benutzen. Vor dem Reinigen nehmen Sie am besten den Sitz vom Gestell ab. Sie können den Archimedes auch mit einer Desinfektionslösung (beispielsweise einer gepufferten Hypochloritlösung) oder anderen antibakteriellen Reinigungsmitteln desinfizieren.

Durch eine regelmäßige Reinigung tragen Sie dazu bei, dass Ihr Badewannenlift Archimedes eine lange Lebensdauer hat und seine Leistungsfähigkeit beibehält.

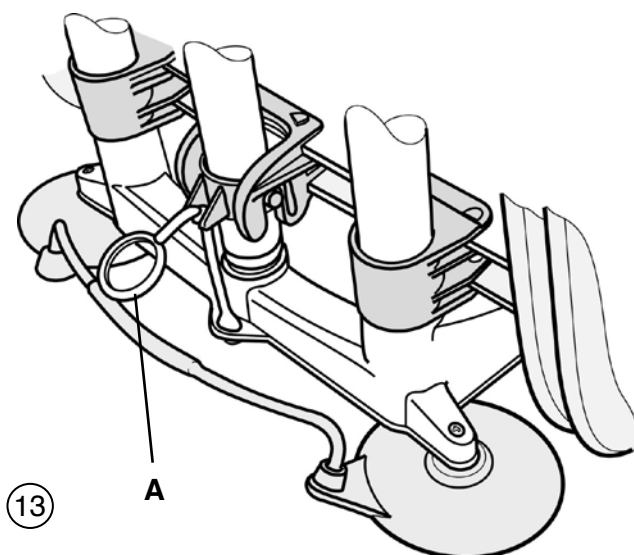
Hinweis: Es ist besonders wichtig, Ihren Archimedes nach jedem Bad gründlich zu reinigen, falls ‚Dettol‘ oder ähnliche Produkte in das Badewasser gegeben wurden.

Lagerung

Der Archimedes sollte mit dem Sitzteil ganz unten gelagert werden und die Handbedienung sollte abgeschaltet sein. Im Falle einer Langzeitlagerung wird empfohlen, die Batterie alle 3 Monate über Nacht zu laden.

Wenn der Archimedes für lange Zeiträume gelagert wird, versichern Sie sich, dass er ganz trocken ist und in einer trockenen Umgebung gelagert wird.

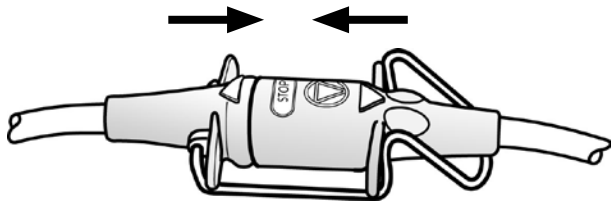
Außerdem sollten Sie die Transportsicherung (**A** in Abb. 13) am Sitz befestigen, damit der Archimedes problemlos in die Hand genommen und transportiert werden kann.



Pflegehinweise

Abgesehen von der regelmäßigen Reinigung erfordert der Archimedes aufgrund seiner Konstruktion keine weiteren Pflegemaßnahmen. Allerdings wird empfohlen, die Funktionsfähigkeit des Geräts jährlich von Ihrem Händler oder von einer anderen qualifizierten Person überprüfen zu lassen. Wenden Sie sich für weitere Informationen an Ihren Händler oder an Mangar International.

Der Archimedes enthält keine Bauteile, die von Ihnen gewartet werden können. Reparatur- und Wartungsarbeiten dürfen daher nur von Ihrem Händler oder einer anderen autorisierten Person ausgeführt werden.



14

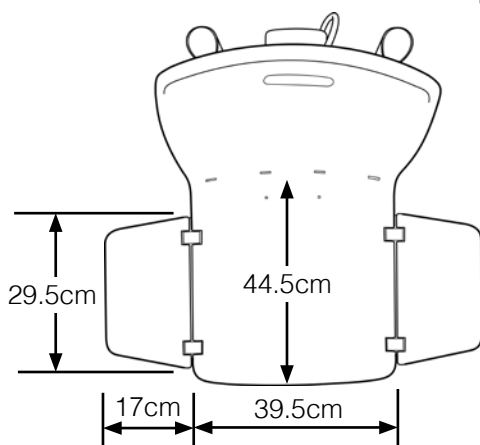
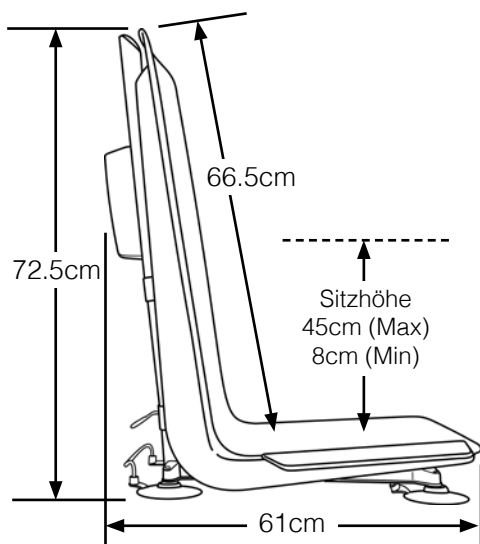
Fehlersuche

Der Sitz lässt sich nicht anheben:

- Prüfen Sie, ob der Stecker der Handbedienung korrekt in die Buchse am Anschlusskabel des Antriebselements eingesteckt ist (Abb. 14).

Der Sitz lässt sich nicht absenken:

- Prüfen Sie, ob die Batteriezustandsanzeige ROT leuchtet. Ist dies der Fall, lassen Sie die Batterie in der Handbedienung über Nacht aufladen.
- Prüfen Sie, ob der Stecker der Handbedienung korrekt in die Buchse am Anschlusskabel des Antriebselements eingesteckt ist (Abb. 14).



Technische Daten

Archimedes

Maximales Gewicht des Benutzers:	165kg
Gesamtgewicht:	10kg
Gewicht des Sitzes:	5,2kg
Gewicht des Gestell:	2,8kg
Gewicht des Antriebselements:	2 kg
Sitzhöhe (min. bis max.):	8cm bis 45cm
Eingangsspannung (Antriebselement):	12 V bei 7,5 A
Schutzart:	IP66

Handbedienung (Batterie)

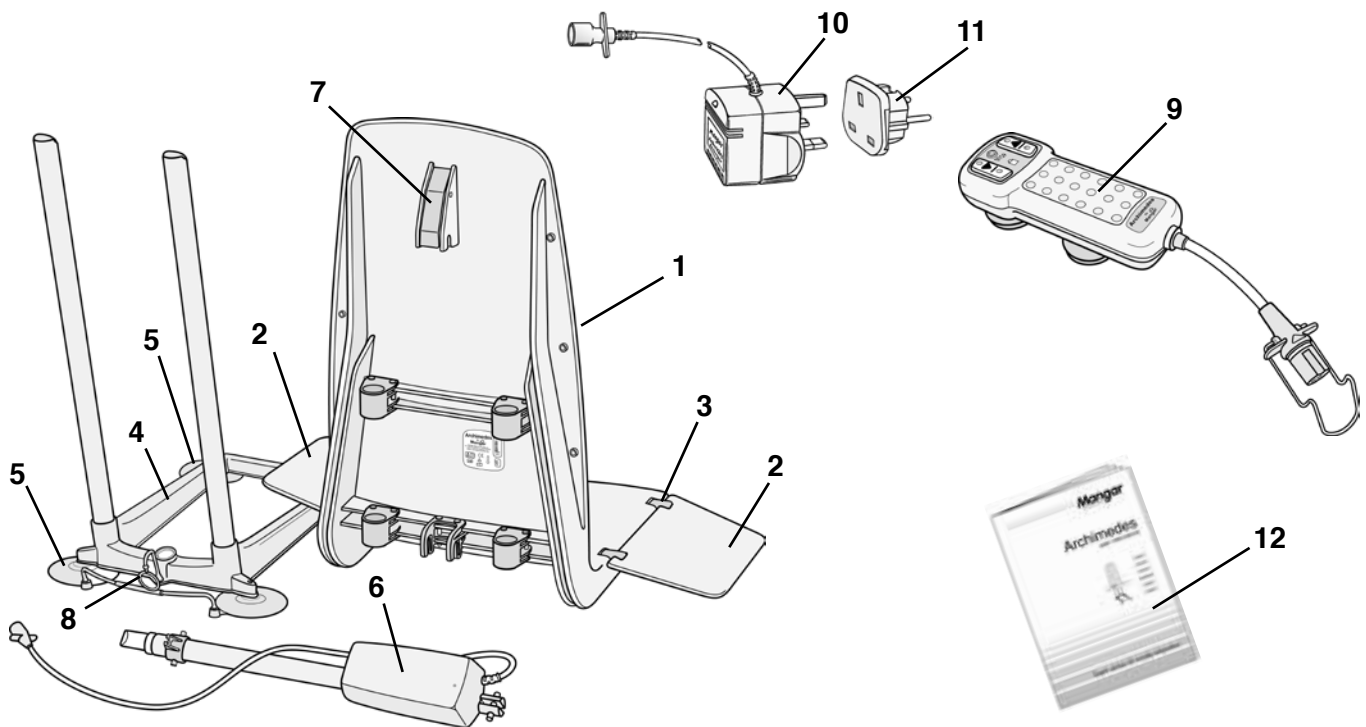
Typ:	Ni-Cd
Ausgangsspannung (max):	14V: 10A
Interner Schutz:	Sicherung mit automatischer Rückstellung
Schutzart:	IP67

Batterieladegerät

AC-Eingang:	230 V AC bei 1,22 A und 50-60 Hz
DC-Ausgang:	17,4 V DC bei 70 mA
Interner Schutz:	Übertemperaturschutz mit automatischer Rückstellung
Schutzart:	IP50
Doppelt isoliertes Gerät der Klasse II.	
Dieses Produkt eignet sich für den Transport in Flugzeugen.	

Teilleiste

1	Sitz mit Rückenlehne	LA0010	8	Transportsicherung	LA0017
2	Seitenklappe	LA0011	9	Handbedienung	LA0018
3	Scharnier (2 Stück)	LA0012	10	Ladegerät	LA0019
4	Gestell	LA0013	11	Eurostecker-Adapter	LA0020
5	Saugnapf (4 Stück)	LA0014	12	Bedienungsanleitung	MI0173
6	Antriebselement	LA0015			
7	Verriegelung des Antriebselements	LA0016			



Für Produktaufkleber und Bedienungsanleitung verwendete Symbole

	Vorsicht!		Gefährliche Spannung		Notfall - "STOP" - Taste		Heiße Oberfläche
	Anleitung lesen!		Gerät des Typs BF (Schutz gegen elektrischen Schlag)		Drücken, um Sitz anzuheben		Betriebsspiel I = Einschaltzeit 0 = Ausschaltzeit
	Wechselstrom		Batteriezustandsanzeige		Drücken, um Sitz abzusenken		IP 66 Schutz gegen Strahlwasser von Duschen
	Gleichstrom		Maximale/Minimale Umgebungstemperatur für den Betrieb +45° °C +4°		Herstellungsdatum		IP 67 Schutz beim Eintauchen in Wasser bis zu einer Tiefe von einem Meter
	Doppelt isoliertes Gerät der Klasse II		Maximal zulässiges Gewicht des Benutzers		Recyclen, nicht im Restmüll entsorgen		IP 50 Kein Schutz gegen das Eindringen von Wasser
	Nicht im Badezimmer oder im Freien ans Stromnetz anschließen				Ni-Cd		

Entsorgung des Produkts

Gemäß regionalen Vorschriften entsorgen. Für weitere Anweisungen wenden Sie sich bitte an Ihren Lieferanten.

Garantie

Die Garantie gilt für Material- und Fabrikationsfehler und schließt das Gerät, Ersatzteile und Arbeitsstunden mit ein. Von der Garantie ausgeschlossen sind gebrauchsbedingte normale Abnutzung, mutwillige Beschädigung, allgemeine Fahrlässigkeit, unsachgemäßer Gebrauch sowie Modifizierungen oder Reparaturen durch nicht qualifizierte Personen.

Die folgenden Bestimmungen schränken das Verbraucherrecht nicht ein. Dieses Produkt wird unter dem Einverständnis verkauft, dass, sollte Innerhalb der Garantie Periode ein Material- oder Fabrikationsfehlers auftreten, der Fehler kostenlos behoben wird, vorausgesetzt:

- (a) es liegt ein akzeptabler Beleg (z. B. Rechnung, Lieferschein) vor, dass das Anspruch wird innerhalb der Garantie Periode gemacht.
- (b) der Fehler ist nicht auf Unfallschäden (durch Transport oder anderweitig entstanden), unsachgemäßen Gebrauch oder nicht autorisierte Reparaturen zurückzuführen.

Archimedes-Seriennummer:

Kaufdatum:

Rechnungs-/Lieferschein-Nr:

Mangar International behält sich das Recht vor, Produktspezifikationen und/oder die Angaben im vorliegenden Dokument ohne vorherige Ankündigung zu ändern.

Français

L'Archimedes de Mangar est un dispositif de levage léger pour baignoire, entraîné par servomoteur à pile, conçu pour un emploi simplifié. L'Archimedes, dont l'entretien se limite au nettoyage normal et au rechargement de la batterie, assure des bains sans problèmes pendant de nombreuses années.



AVERTISSEMENTS

- Avant d'utiliser l'Archimedes, vous devez vous assurer que vous avez lu et compris parfaitement le mode d'emploi.
- L'Archimedes est conçu pour être utilisé comme aide au bain : on ne doit JAMAIS l'utiliser hors de la baignoire.
- Avant l'usage, vérifiez que les ventouses adhèrent fermement à la baignoire.
- Le siège Archimède est conçu pour être descendu jusqu'au fond de la baignoire. Il risque d'être inadapté pour les baignoires particulièrement étroites ou très arrondies. Vérifier toujours qu'aucun obstacle n'empêche la descente complète puis la remontée du siège. S'assurer de son bon positionnement avant toute utilisation.
- Ne laissez jamais l'Archimedes reposer sur sa partie postérieure dans l'eau de la baignoire.
- Lorsque vous soulevez le siège, veuillez vous assurer que les volets de transfert sont parfaitement dégagés et ne sont pas entravés par des obstacles comme les poignées de la baignoire et les porte-savons.
- On ne doit recharger la pile qu'avec le chargeur Mangar fourni avec l'Archimedes.
- On ne doit JAMAIS recharger la pile dans la salle de bains, à l'extérieur ou dans un milieu humide.
- Ne pas utiliser en présence d'anesthésiants inflammables avec de l'air, de l'oxygène ou de l'oxyde azoté.
- Ne pas utiliser le servomoteur lorsqu'il est débranché de la base.
- N'utilisez pas l'Archimedes comme support lorsque vous nettoyez la baignoire ou vous ramassez des objets dans celle-ci.
- Déconnecter le boîtier de commande du servomoteur avant le transport de manière à éviter une mise en route accidentelle du mécanisme de levage.
- Les ventouses de fixation de la base et de la commande à main contiennent du latex. Aucun autre élément du produit ou du conditionnement correspondant ne contient du latex.

English	Pg 2
Deutsch	Pg 10
Français	Pg 18
Nederlands	Pg 26
Italiano	Pg 34
Español	Pg 42

SOMMAIRE

Contenu standard	Pg 19
Préparation à l'utilisation	Pg 19
Installation de l'Archimedes dans la baignoire	Pg 20
Le boîtier de commande	Pg 20
Voyant de charge de la pile	Pg 20
Bouton d'arrêt d'urgence	Pg 21
Utilisation de l'Archimedes	Pg 21
Pour enlever l'Archimedes de la baignoire	Pg 21
Comment recharger la pile	Pg 22
Nettoyage	Pg 22
Stockage	Pg 22
Entretien	Pg 23
Dépistage des défauts	Pg 23
Fiche technique	Pg 23
Nomenclature de pièces	Pg 24
Symboles utilisés sur les étiquettes et dans le mode d'emploi	Pg 24
Garantie	Pg 25

Contenu standard

- 1 x Dispositif de levage Archimedes (comprenant deux volets de transfert) (**A** fig.1).
- 1 x Boîtier de commande étanche (**B**).
- 1 x Chargeur de pile (**C**).
- 1 x Mode d'emploi.

Préparation à l'utilisation

Déballage - Enlevez les différents composants de l'emballage et examinez-les pour vous assurer qu'ils n'ont pas été endommagés au cours du transport. En cas d'endommagement, contactez votre fournisseur immédiatement.

①

La pile - Avant l'utilisation de l'Archimedes pour la première fois, chargez la pile de la façon suivante:

- Raccordez le boîtier de commande au chargeur, puis branchez le chargeur sur l'alimentation secteur HORS DE LA SALLE DE BAINS : laissez charger jusqu'au lendemain (cf. "Charge de la pile").

②

Le siège et la base - L'Archimedes se sépare facilement en trois sections (fig. 2).

- Siège (**A**)
- Base (**B**)
- Servomoteur (**C**)

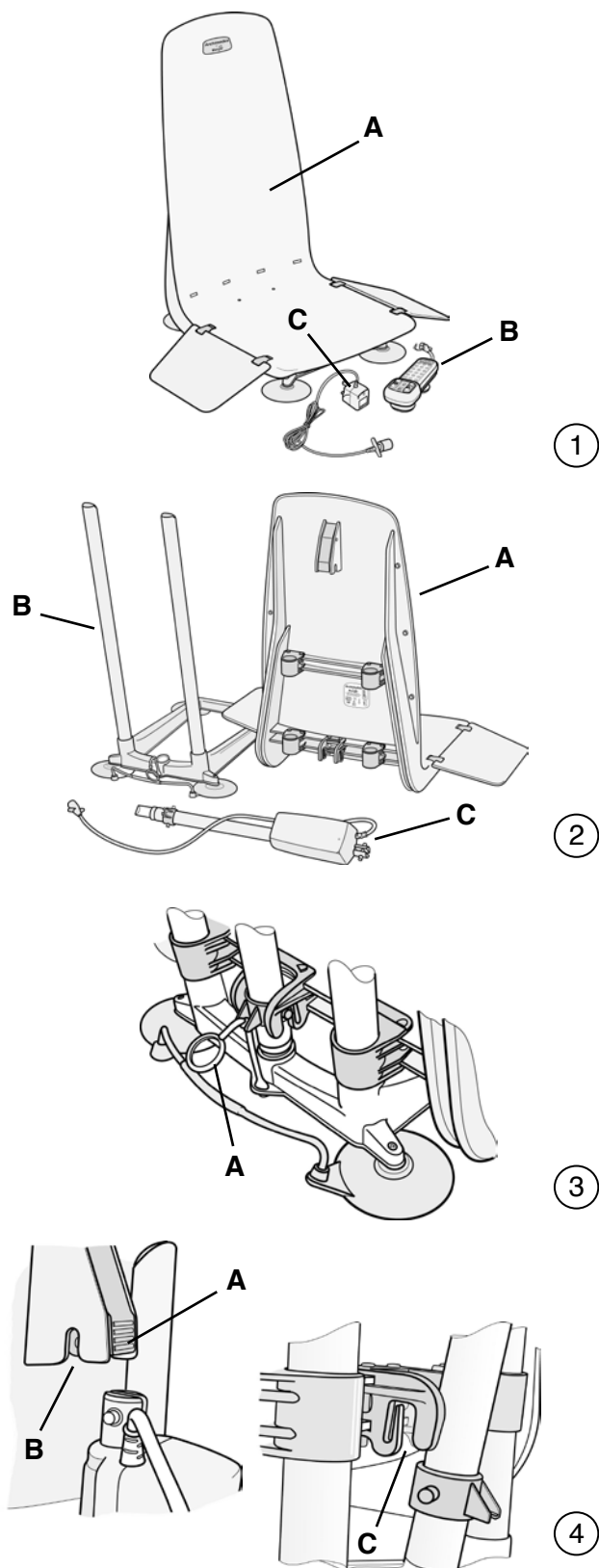
Séparation du siège de la base et du servomoteur:

- Baissez entièrement le siège et repliez les volets de transfert sur le siège.
- Détachez la fixation de transport (**A**, fig. 3) en tirant le joint torique vers le haut puis en soulevant la bille hors de la fente, dans le collier de positionnement sur la tige du servomoteur.
- Appuyez sur la partie inférieure du verrou sur le dos du siège (**A** fig. 4) tout en soulevant le siège suffisamment pour pouvoir dégager le servomoteur de la fente du verrou (**B**) et du support de positionnement du servomoteur (**C**). Vous pouvez maintenant enlever le servomoteur de la base.
- Séparez, en le soulevant, le siège de la base.
- Pour le remontage, effectuer les mêmes opérations dans l'ordre inverse. Ne rattachiez pas la fixation de transport sauf si vous désirez porter l'Archimedes assemblé.

③

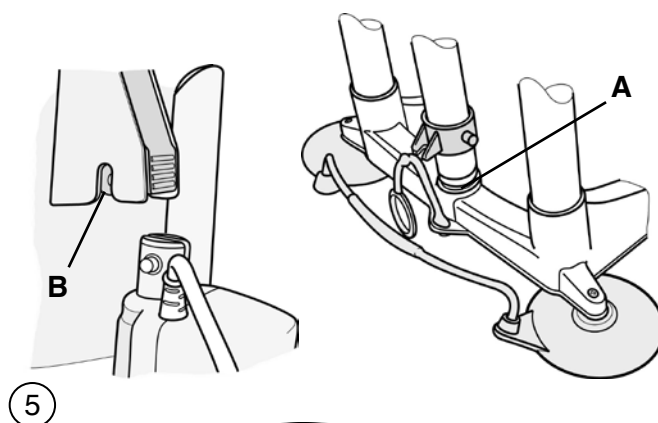
④

On ne doit rattacher la fixation de transport sur le dos du siège que si l'on désire maintenir le siège et la base ensemble pour porter l'Archimedes.

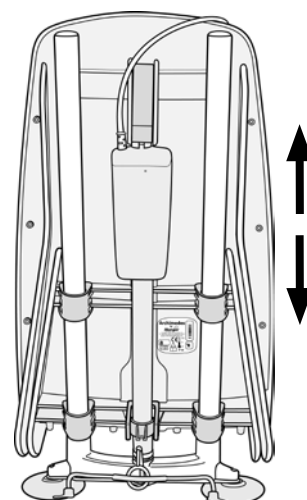


Installation de l'Archimedes dans la baignoire

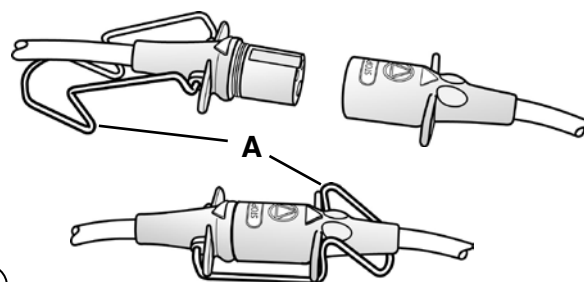
- Avant de placer l'Archimedes dans une baignoire, vérifiez que la surface sur laquelle se poseront les ventouses est propre et ne présente aucune trace d'huile pour le bain ou de produits de nettoyage. Enlevez le tapis anti-glissant de la zone d'installation.
AVERTISSEMENT : les ventouses risquent de ne pas adhérer correctement aux surfaces texturées et anti-glissantes de la baignoire.
- Enlevez le servomoteur et le siège de la base (cf. "Préparation à l'utilisation"). Mouillez chacune des ventouses, et placez la base le plus près possible de la pente postérieure de la baignoire, puis replacez le servomoteur dans son logement, au dos de la base (**A** fig.5).
- Repliez les volets de transfert sur le siège, puis glissez le siège sur la base. Positionnez l'extrémité supérieure du servomoteur dans la fente du verrou (**B**), au dos du siège, en vérifiant qu'elle s'enclenche en place. **REMARQUE** : Vérifiez que le siège coulisse librement verticalement avant de l'utiliser. (Fig 6)
- Branchez le boîtier de commande au fil de sortie du servomoteur et fermez le clip de retenue (**A** fig 7).
- Remplissez la baignoire avec de l'eau à la température désirée.



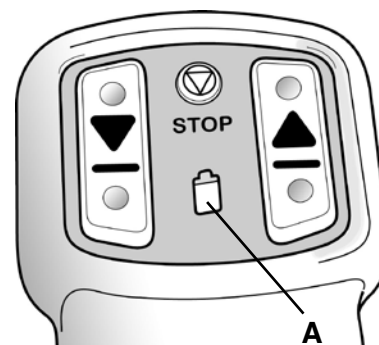
5



6



7



8

Le boîtier de commande

Le boîtier de commande est entièrement étanche et est équipé d'une pile rechargeable et d'un voyant de charge de la pile ; le boîtier ne contient aucune pièce réparable par l'utilisateur. N'essayez PAS de l'ouvrir.

Voyant de charge de la pile

Lorsque l'on appuie sur les boutons "monter" ou "descendre", le voyant (**A** fig. 8) indique la charge de la pile, de la façon suivante:

VERT FIXE - Pile chargée, bonne pour l'utilisation.

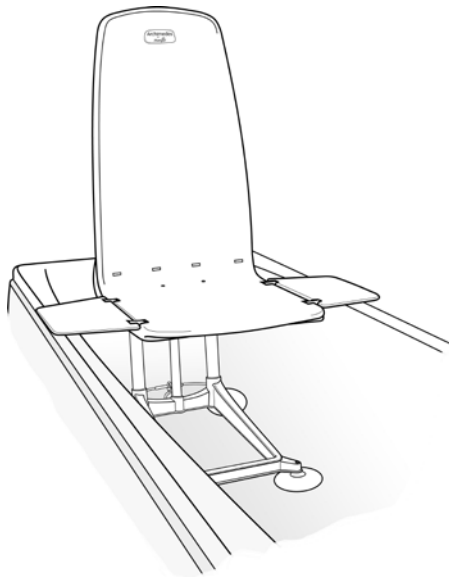
VERT CLIGNOTANT - Charge suffisante pour ce bain, mais recharger immédiatement après.

ROUGE - Recharger la pile avant l'usage : le siège ne descend pas. **REMARQUE**: le microprocesseur contenu dans le boîtier de commande ne permet pas la descente du siège s'il détecte que la pile n'est pas suffisamment chargée pour le remonter.

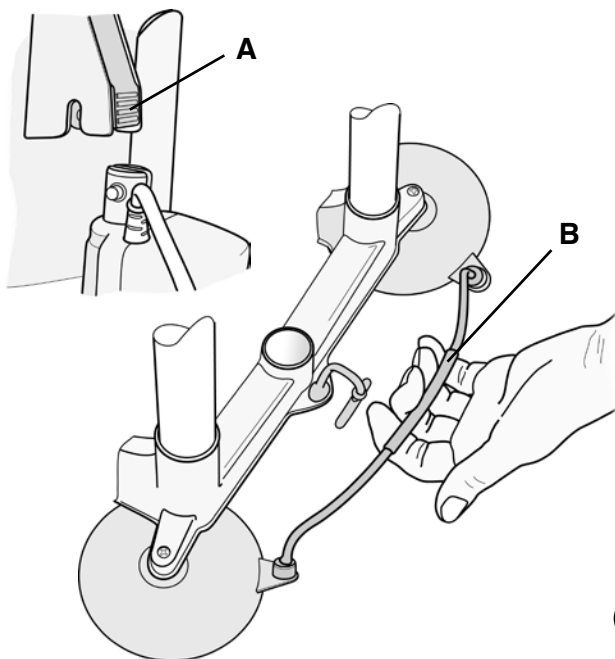
La pile n'est pas remplaçable : lorsqu'elle atteint la fin de sa durée de vie utile, indiqué par l'impossibilité d'accepter ou de maintenir la charge (ou par l'allumage fréquent du voyant rouge sur le boîtier), il est nécessaire de remplacer le boîtier de commande entier par un boîtier neuf. Il convient de préciser que l'on doit renvoyer le boîtier usé à votre fournisseur ou à Mangar International, qui se chargera de son élimination sans danger, et ne JAMAIS le jeter avec les ordures ordinaires.



9



10



11

Bouton d'arrêt d'urgence

En cas d'urgence, le déplacement du siège peut être arrêté à n'importe quel moment en appuyant sur le bouton 'ARRÊT' du boîtier de commande (A fig.9).

REMARQUE: Vous pouvez également arrêter le déplacement du siège en relâchant tout simplement les boutons "monter" et "descendre" à n'importe quel moment.

Utilisation de l'Archimedes

AVERTISSEMENT : Veuillez noter que la sécurité intégrée au boîtier de commande ne permet pas la descente du siège si la batterie n'est pas suffisamment chargée pour le remonter. Pour tirer le meilleur parti de cette sécurité, il est IMPÉRATIF DE TOUJOURS REMONTER LE SIÈGE AU MOYEN DU BOÎTIER DE COMMANDE et de L'UTILISER pour se faire descendre dans la baignoire.

- Appuyez sur le bouton "monter" sur le boîtier de commande pour soulever le siège.
- Lorsque le siège est parvenu au niveau du bord de la baignoire, relâchez le bouton "monter"
- **REMARQUE:** avant d'effectuer le transfert, vérifier que le volet de transfert se trouve au même niveau que le bord de la baignoire (fig. 10) et s'appuie sur celui-ci.
- Asseyez-vous sur le volet puis transférez-vous sur le siège.
- Pour vous baisser dans la baignoire, appuyez sur le bouton "descendre" en relâchant le bouton, vous pouvez, à tout moment, arrêter le déplacement du siège.
- Pour soulever le siège, appuyez sur le bouton "monter". Relâchez le bouton lorsque le volet de transfert se trouve au même niveau que le bord de la baignoire et s'appuie sur celui-ci.

Pour enlever l'Archimedes de la baignoire

- Baisser entièrement le siège.
- Baisser entièrement le siège.
- Appuyer sur le verrou sur le dossier du siège (A fig. 11) et soulever le siège en le séparant de la base.
- Soulever le servomoteur.
- Soulever la poignée de détachement de la ventouse, au dos de la base (B fig. 11), puis incliner la base en avant.
- Continuer d'incliner la base en avant : la succion sur les ventouses avant cesse alors automatiquement, et la base peut être soulevée hors de la baignoire.

REMARQUE : on ne doit en aucun cas utiliser la poignée de détachement des ventouses (B) pour incliner ou soulever la section de la base ni tenter d'arrêter la succion sur les ventouses postérieures en tirant sur les barres de guidage.

Comment recharger la pile

- Débranchez le boîtier de commande du servomoteur.
- Connectez le boîtier de commande sur le chargeur (fig. 12).
- Branchez le chargeur de pile sur une prise de courant à l'extérieur de la salle de bain et mettez-le en marche. Le voyant rouge du chargeur (**A** fig. 12) s'allumera pour indiquer qu'il est correctement branché et est en train de charger.

Lorsqu'il est nécessaire de charger la pile, laissez le boîtier sur le chargeur allumé jusqu'au lendemain. On peut laisser le boîtier de commande branché en permanence sur son chargeur sans risquer d'endommager la pile ou le chargeur.

Il est conseillé de laisser le boîtier de commande en permanence sur son chargeur lorsque l'Archimedes n'est pas en service.

Nettoyage

Nettoyez régulièrement votre Archimedes avec les mêmes produits d'entretien que vous utilisez normalement pour votre baignoire. Il est préférable de séparer le siège et la base préalablement au nettoyage. Il est possible de désinfecter l'Archimedes avec une solution stérilisante de marque, comme "Milton", ou un autre produit bactéricide.

En nettoyant régulièrement votre dispositif de levage Archimedes pour baignoires, vous en prolongez la durée de vie tout en maintenant son fonctionnement efficace.

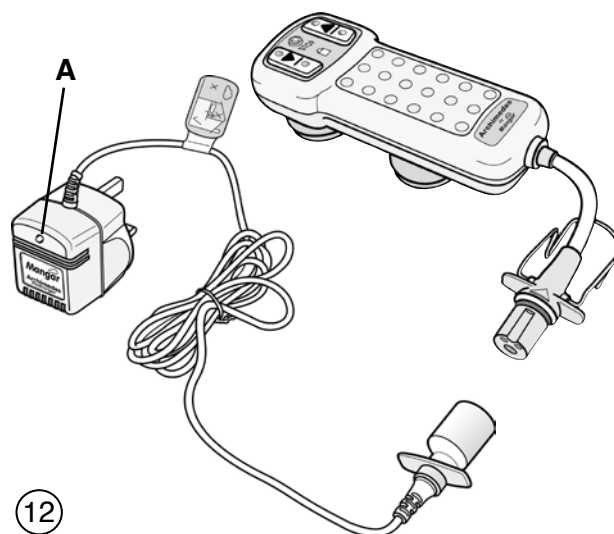
REMARQUE: il est particulièrement important de nettoyer soigneusement votre siège Archimedes après chaque bain si du 'Dettol' ou des produits similaires ont été ajoutés à l'eau du bain.

Stockage

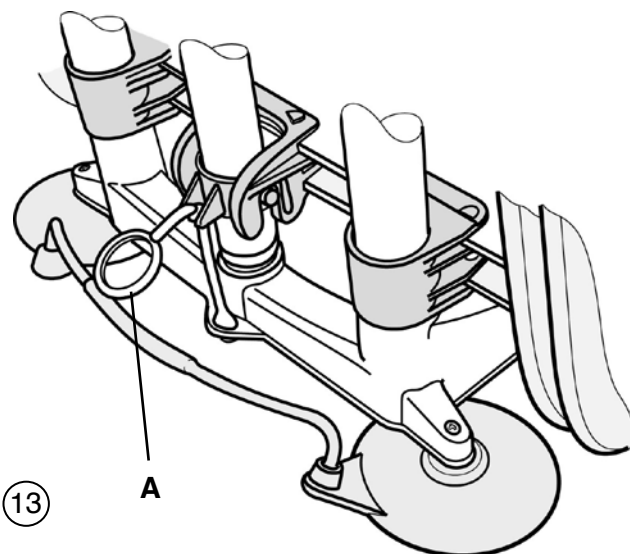
L'Archimedes devrait être entreposé avec le siège baissé à fond et le boîtier de commande débranché. Pour les longues périodes d'entreposage, nous vous recommandons de charger la pile pendant la nuit environ tous les trois mois.

Pour les longues périodes d'entreposage, veuillez vous assurer que l'Archimedes est parfaitement sec et est conservé dans un endroit sec.

La fixation de transport (**A** fig. 13) doit être fixée sur le siège, afin de pouvoir soulever et déplacer facilement l'Archimedes.



12

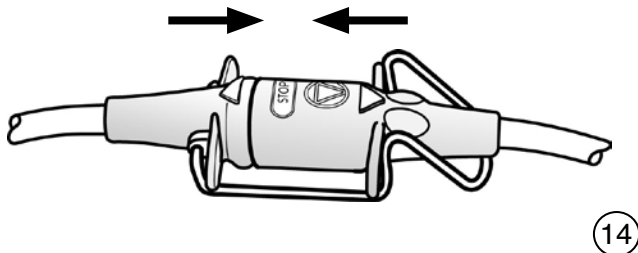


13

Entretien

L'Archimedes est conçu pour ne nécessiter aucun entretien, hormis le nettoyage ordinaire. Nous vous conseillons toutefois de soumettre, tous les ans, votre Archimedes à un contrôle, qui doit être assuré soit par votre fournisseur soit par une personne compétente. Pour tout autre renseignement, veuillez vous adresser à votre fournisseur ou à Mangar International.

L'Archimedes ne contient aucun composant que doit entretenir l'utilisateur. Les réparations ou l'entretien ne doivent être effectuées que par votre fournisseur ou par une personne dûment accréditée.



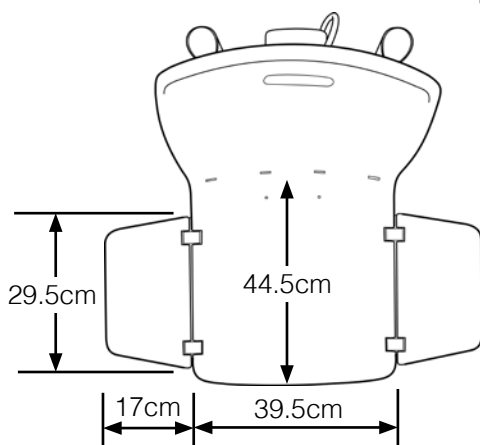
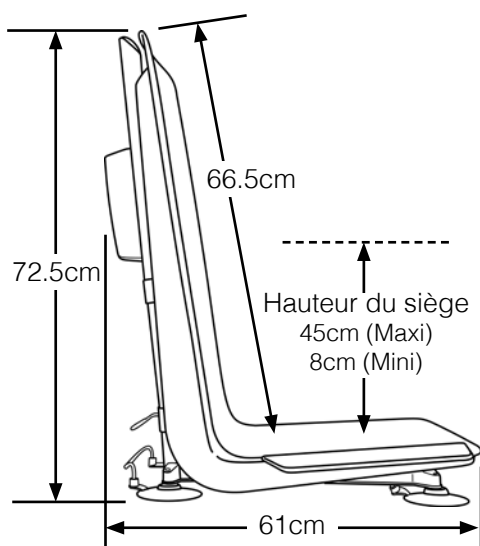
Dépiage des défauts

Le siège ne se soulève pas:

- Vérifiez que la fiche du boîtier de commande est bien enfoncée dans la prise du câble du servomoteur (fig.14).

Le siège ne descend pas:

- Le voyant rouge de l'indicateur de charge de la pile est-il allumé. Si oui, chargez le boîtier de commande jusqu'au lendemain.
- Vérifiez que la fiche du boîtier de commande est bien enfoncée dans la prise du câble du servomoteur (fig.14).



Fiche technique

Archimedes

Poids maxi de l'utilisateur:	165kg
Poids total:	10kg
Siège seulement:	5,2kg
Base seulement:	2,8kg
Servomoteur:	2 kg
Hauteur (mini / maxi) du siège: 8cm/45cm	
Tension / intensité d'alimentation	
du servomoteur:	12V: 7,5A
Protection de l'environnement:	IP66

Boîtier de commande (pile)

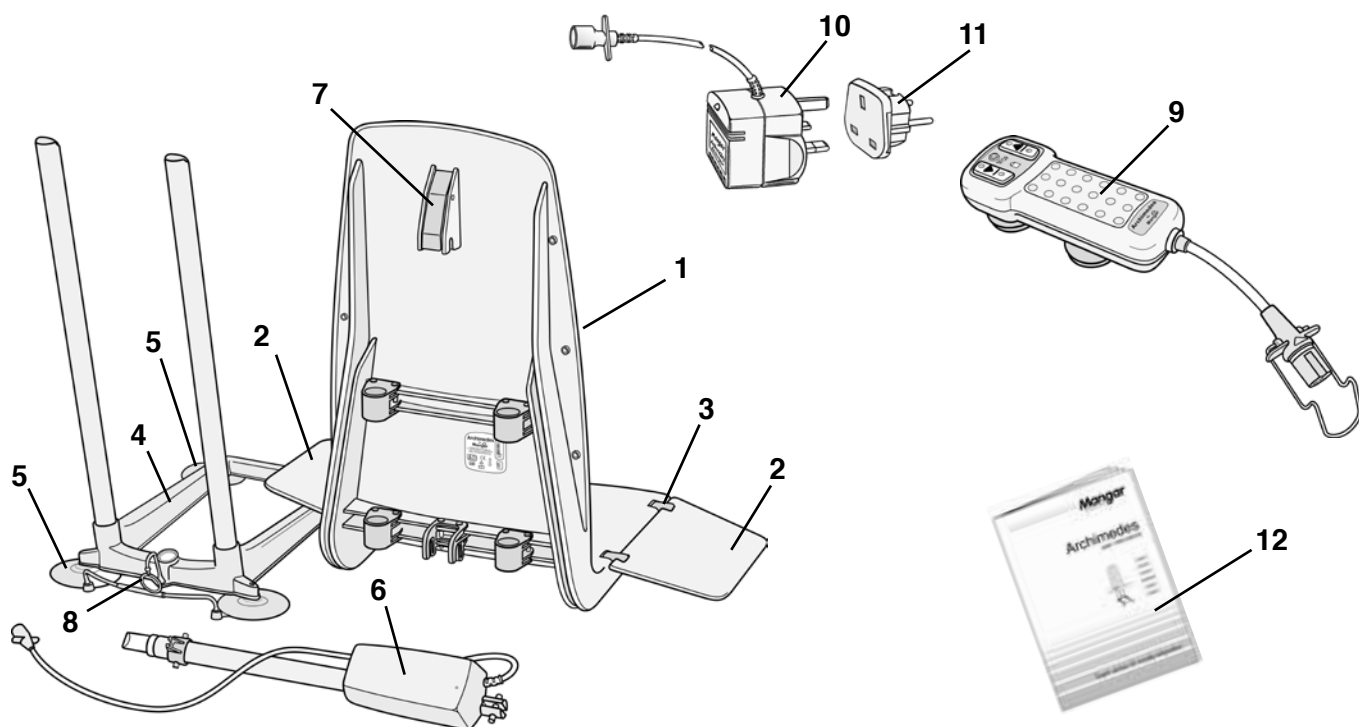
Type:	Ni-Cd
Tension / intensité de sortie (maxi):	14V: 10A
Protection interne: Fusible (ré-enclenchement automatique)	
Protection de l'environnement:	IP67

Chargeur

Entrée c.a.:	230V: 1,22VA: 50-60Hz
Sortie c.c.:	17.4V: 70mA
Protection interne:	Coupe-circuit thermique à ré-enclenchement automatique
Protection de l'environnement:	IP50
Équipement à double isolation Classe II	
Produit étudié pour être transporté dans un avion.	

Nomenclature de pièces

1	Siège	LA0010	8	Fixation pour le transport	LA0017
2	Volet	LA0011	9	Boîtier de commande	LA0018
3	Charnière (jeu de 2)	LA0012	10	Chargeur	LA0019
4	Base	LA0013	11	Adaptateur de courant - Européen	LA0020
5	Ventouse (jeu de 2)	LA0014	12	Mode d'emploi	MI0173
6	Servomoteur	LA0015			
7	Verrou de servomoteur	LA0016			



Symboles utilisés sur les étiquettes et dans le mode d'emploi

Attention	Tension dangereuse	Bouton d'ARRÊT d'urgence	De surface chaude
Voir les instructions	Équipement type BF (protection contre les décharges électriques)	Appuyer pour soulever le siège	Cycle de service I = 10% O = 90% I = durée en service O = durée hors service
Courant alternatif	Indicateur de charge de la pile	Appuyer pour baisser le siège	IP 66 Étanche aux projections des douches
Courant continu	Température mini / maxi ambiante de service +45° °C +4°	Date de fabrication	IP 67 Étanche à l'immersion dans l'eau jusqu'à 1 mètre de profondeur
Équipement à double isolation Classe II	Poids maxi de l'utilisateur	Recycler Ne pas jeter avec les ordures ordinaires Ni-Cd	IP 50 Aucune protection contre l'introduction d'eau
Ne pas raccorder au secteur dans la salle de bain ou en extérieur			

Mise Au Rebut Du Produit

Mettez au rebut en respectant les réglementations en vigueur. Pour des conseils complémentaires, veuillez contacter votre fournisseur.

Garantie

Cette garantie est accordée pour tous défauts de matière ou de façon et comprend les éléments, pièces, et main d'œuvre. La garantie n'est pas valable en ce qui concerne l'usure normale, les dommages par usage abusif du matériel, la négligence, une mauvaise utilisation ou une modification ou réparation non autorisée par des personnes non qualifiées.

Les déclarations suivantes n'affectent pas les droits juridiques du consommateur. Ce produit est vendu étant entendu qu'en cas de défaut quelconque de façon ou de matière apparaissant dans les dans la période de garantie, ce défaut sera réparé gratuitement à condition que:

- (a) la preuve soit fournie (par exemple facture d'achat, bordereau de livraison) que la réclamation est faite dans la période de garantie.
- (b) le défaut n'est pas attribuable à un dommage accidentel (en cours de transport ou autre), une utilisation abusive ou une réparation non autorisée.

Numéro de série Archimedes:

Date d'achat:

No facture / bon de livraison:

Mangar International se réserve le droit de modifier les spécifications du produit et / ou les informations contenues dans ce document sans avis préalable.

Nederlands

De Archimedes van Mangar is een lichtgewicht badlift op batterijen, met een bedieningselement dat ontworpen is om eenvoudig te worden bediend. De Archimedes zorgt voor vele jaren probleemloos baden, waarvoor slechts geregelde reiniging nodig is en het vervangen van batterijen.

English	Pg 2
Deutsch	Pg 10
Français	Pg 18
Nederlands	Pg 26
Italiano	Pg 34
Español	Pg 42

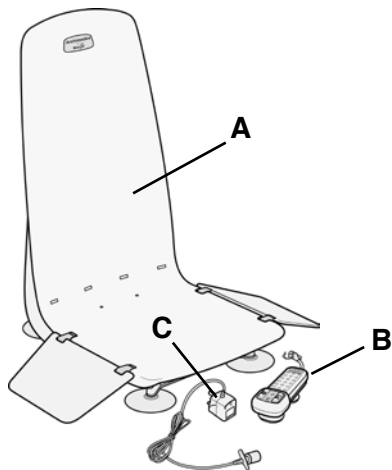
INHOUD

Standaardinhoud	Pg 27
Eerste gebruik	Pg 27
De Archimedes in het bad plaatsen	Pg 28
Handbediening	Pg 28
Verklikker voor de staat van de batterij	Pg 28
Noodstopknop	Pg 29
Gebruiken van de Archimedes	Pg 29
De Archimedes uit het bad halen	Pg 29
Batterij opladen	Pg 30
Reiniging	Pg 30
Bewaren	Pg 30
Onderhoud	Pg 31
Opsporing van defecten	Pg 31
Specificaties	Pg 31
Onderdelenlijst	Pg 32
Op labels en instructies gebruikte symbolen	Pg 32
Garantie	Pg 33

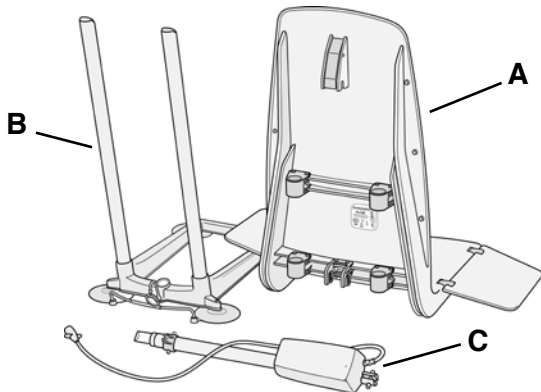


WAARSCHUWINGEN

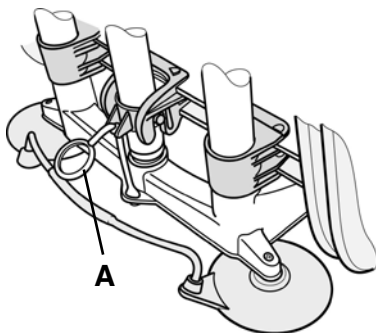
- Zorg dat u deze aanwijzingen heeft gelezen en helemaal begrijpt voor u de Archimedes probeert te bedienen.
- De Archimedes mag alleen als badhulp gebruikt worden, gebruik hem NOOIT buiten het bad.
- Zorg dat de zuignappen stevig aan het bad vastzitten voor gebruik.
- De Archimedes werd ontwikkeld om zo diep mogelijk in het bad te dalen. Hij is mogelijk niet geschikt voor bijzonder smalle badkuipen of badkuipen met sterk gebogen zijwanden of bodem. Controleer altijd of het zitje ongehinderd kan worden neergelaten en weer opgeheven. Ga voor het gebruik na of het toestel correct is gepositioneerd.
- Laat de Archimedes niet op zijn rug in het badwater liggen.
- Zorg dat de verplaatsingskleppen geen obstructies zoals badhandgrepen en zeepbakjes raken wanneer de stoel omhoog gebracht wordt.
- Herlaad de batterij alleen met de Mangar batterijlader die met de Archimedes mee wordt geleverd.
- Laad de batterij NOOIT op in de badkamer, in de open lucht of in een vochtige omgeving
- Niet gebruiken in aanwezigheid van ontvlambare anesthesische mengsels met lucht, zuurstof of nitraatoxide.
- Bedien het bedieningselement niet terwijl dat ontkoppeld is van de basis.
- Gebruik de Archimedes niet als steuntje om uzelf aan vast te houden als u het bad schoonmaakt of als u in het bad iets wilt pakken.
- Maak voor het transport de handbediening los van het aandrijfmechanisme om te voorkomen dat het hefmechanisme per ongeluk in werking wordt gesteld.
- De zuignappen aan het onderste deel en op de handcontrole bevatten latex. Geen ander deel van het product of de erbij behorende verpakking bevat latex.



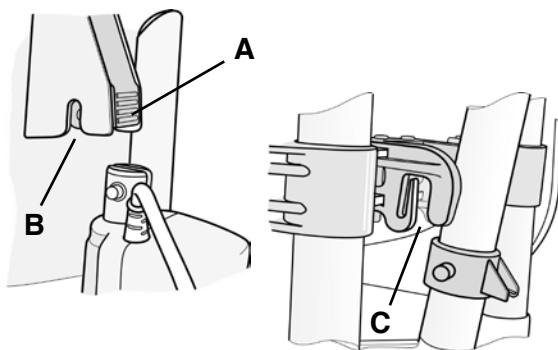
1



2



3



4

Standaardinhoud

- 1 x Archimedes badlift (inclusief twee doorschuifkleppen) (A fig.1).
- 1 x Dichte handbesturing (B).
- 1 x Batterijlader (C).
- 1 x Gebruikersinstructies.

Eerste gebruik

Uitpakken – Haal de inhoud uit de verpakking en controleer ze om u ervan te vergewissen dat er geen schade is ontstaan tijdens het transport. Als dat het geval is, stel dan uw leverancier onmiddellijk op de hoogte.

Batterij - Deze moet als volgt opgeladen worden voordat u uw Archimedes voor de eerste keer gebruikt:

- Verbind de handbediening met de batterijlader en steek de lader in een contactdoos BUITEN DE BADKAMER en laat de batterij 's nachts laden (zie "batterij opladen").

Zitting en basisgedeelten - De Archimedes kan gemakkelijk worden verdeeld in drie stukken (fig.2).

- Zitje (A)
- Basisgedeelte (B)
- Actuator (C)

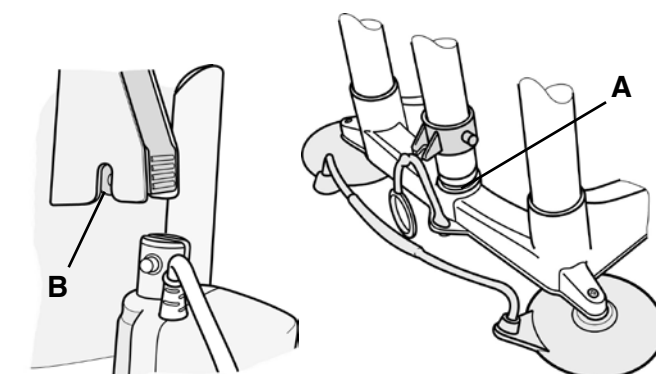
Het zitje loshalen van het basisgedeelte en de actuator:

- Breng het zitje helemaal omlaag en vouw de doorschuifkleppen naar het zitje toe.
- Maak het draagoog los (A fig.3) door de 'O'-ring op te trekken en de veiligheidskogel van het slot in de manchet waar hij in hoort op de schacht van het bedieningselement.
- Druk op het onderste stuk van de grendel aan de rugleuning (A fig. 4) terwijl u het zitje voldoende omhoog brengt om de het bedieningselement los te krijgen van de gleuf in de vergrendeling (B) en de houder van het bedieningselement (C). Het bedieningselement kan nu van het basisstuk worden afgehaald.
- Til het zitgedeelte van het basisgedeelte af.
- Zet weer in elkaar in de omgekeerde volgorde. Maak het draagoog niet opnieuw vast tenzij u van plan bent de in elkaar gezette Archimedes te dragen.

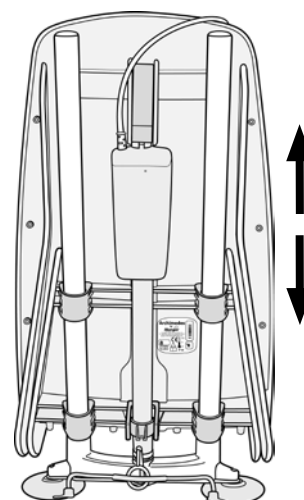
Het draagoog dient alleen opnieuw te worden bevestigd aan de achterkant van het zitgedeelte om zowel het zit- als de basisgedeelten bij elkaar te houden terwijl u de Archimedes draagt.

De Archimedes in het bad plaatsen

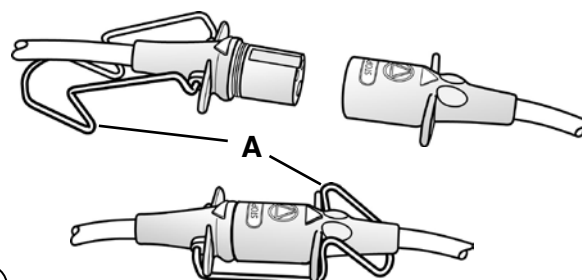
- Voordat u de Archimedes in een bad plaatst, moet u controleren of het oppervlak waarop de zuignappen komen te zitten schoon is en vrij van badolie en resten schoonmaakmiddel. Verwijder de anti-slipmat van dit gedeelte. **WAARSCHUWING:** De zuignappen hechten mogelijk niet goed op geruwde en anti-slip gedeeltes van een bad.
- Verwijder het bedieningselement en zitgedeelten van de basis (zie "Om te beginnen"). Bevochtig elk van de zuignappen en plaats het basisgedeelte zo dicht mogelijk bij de achterrand van het bad als mogelijk is. Plaats het bedieningselement opnieuw in de houder aan de achterkant van de basiseenheid (**A** fig. 5).
- Vouw de verplaatsingskleppen op de zitting en schuif het zittingdeel op het bodemdeel. Plaats het bovenste eind van de aandrijving in de gleuf in de vergrendeling (**B**) aan de achterkant van het zittingdeel en zorg dat hij op z'n plaats klikt. **LET OP:** Zorg dat de zitting vrij op en neer kan schuiven voordat de Archimedes wordt gebruikt (Fig. 6).
- Steek de handbesturing in de geleider van de actuator en sluit de zekeringsbeugel (**A** fig. 7).
- Vul het bad met water op een geschikte temperatuur.



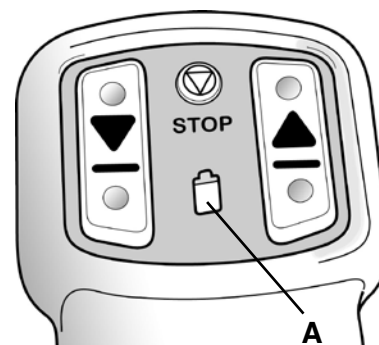
5



6



7



8

Handbediening

De handbesturing is een volledig verzekerde eenheid met een oplaadbare batterij en lampje dat de status van de batterij weergeeft. Hij bevat geen onderdelen die door de gebruiker vervangen kunnen worden. Maak de bediening NIET open.

Verklikker voor de staat van de batterij

Als er op of op de 'Meer' of 'Minder' knoppen wordt gedrukt, geeft het verklikkerlichtje (**A** fig. 8) de staat van de batterij als volgt aan:

GROEN - OK, te gebruiken.

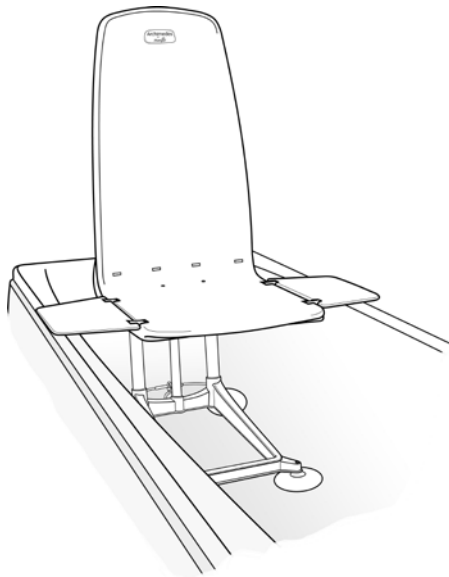
GROEN KNIPPEREND - OK, te gebruiken maar de batterij dient na dit bad opgeladen te worden.

ROOD - De batterij dient voor gebruik te worden opgeladen. Het zitje kan niet omlaag. **LET OP:** De microprocessor in de handbediening zal het zitje niet omlaag laten gaan als hij vaststelt dat er niet voldoende batterijvermogen meer is om het weer omhoog te laten komen.

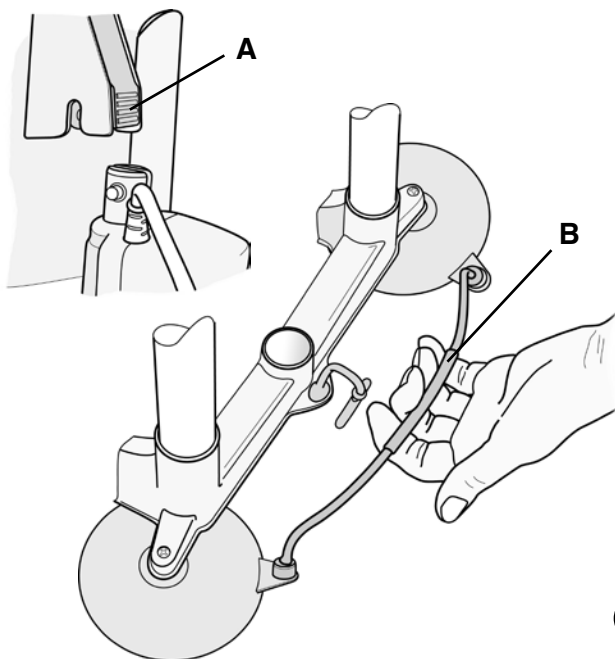
De batterij kan niet vervangen worden. Als hij het einde van zijn levensduur heeft bereikt, merkbaar doordat hij lading niet krijgt of vasthoudt (veelvuldig laat hij rood zien op de verklikker van de staat van de batterij), zal de complete handbediening door een nieuwe moeten worden vervangen. Hij dient te worden teruggestuurd aan uw leverancier of aan Mangar International voor veilige afvalverwerking. Gooi de handbediening NIET samen met uw normale huishoudelijke afval weg.



9



10



11

Noodstopknop

In geval van nood kan de beweging van de stoel altijd gestopt worden door te drukken op de knop 'STOP' op de handbesturing (A fig. 9).

LET OP: Als u de knop 'Meer' of 'Minder' loslaat, staat ook de stoel stil.

Gebruiken van de Archimedes

WAARSCHUWING: De handbediening bevat een belangrijke veiligheidsvoorziening, die zal verzekeren dat de stoel niet naar beneden gebracht kan worden, tenzij er voldoende batterijvoeding is om hem weer omhoog te brengen. Om deze voorziening op effectieve wijze in werking te stellen MOET U DE ZITTING ALTIJD OMHOOG BRENGEN MET GEBRUIK VAN DE HANDBEDIENING en MOET U DE DEZE GEBRUIKEN om uzelf in het bad te laten zakken.

- Druk op de 'Meer' knop op de handbediening om het zitje omhoog te krijgen.
- Laat de 'Meer' knop los als het zitje op gelijke hoogte is met de rand van het bad. **LET OP:** Let op of de doorschuifklep op gelijke hoogte is met, en steunt op de rand van het bad (fig. 10) voor u doorschuift.
- Ga zitten op de klep en schuif er overheen naar het zitje door.
- Druk op de 'Minder' knop om uzelf omlaag te brengen. Als u op enig moment de knop loslaat zal het zitje stoppen.
- Druk op de 'Meer' knop om het zitje omhoog te brengen. Laat de knop los als de doorschuifklep op gelijke hoogte is met, en steunt op de rand van het bad.

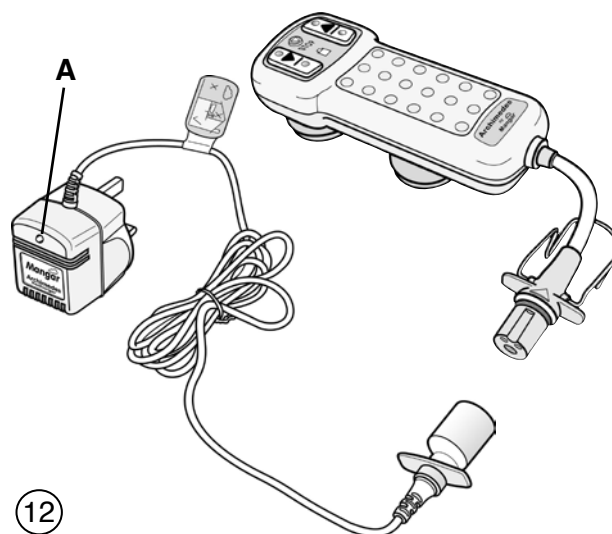
De Archimedes uit het bad halen

- Breng het zitje helemaal omlaag.
- Vouw de draagkleppen naar het zitje toe.
- Druk op de klink aan de achterkant van het zitje (A fig. 11) en til het zitje van de basis af.
- Til het bedieningselement eruit.
- Breng de hendel om de zuignap los te maken aan de achterkant van het basisgedeelte (B fig.11) omhoog en kantel de basis naar voren.
- Ga door met de basis naar voren trekken. Dit zal automatisch de zuigkracht op de voorste zuignappen opheffen en het basisgedeelte kan dan uit het bad worden getild. **LET OP:** Gebruik de hendel om de zuignap los te maken (B) NIET om aan het basisgedeelte te trekken of het op te tillen. Probeer NOOIT om de zuiging op de achterste nappen op te heffen aan de steunstangen te trekken.

Batterij opladen

- Koppel de handbediening los van de actuator.
- Verbind de handbediening aan de batterijlader (fig.12).
- Steek de batterijlader in een stopcontact buiten de badkamer en zet hem aan. Het amberkleurige lampje op de lader (**A** fig. 12) gaat aan om aan te geven dat de lader correct is aangesloten en bezig is met laden.

Als de batterij opnieuw opgeladen moet worden, dient de handbediening 's nachts aan de lader gekoppeld te blijven. De handbediening kan voortdurend gekoppeld blijven zonder de batterij of de lader te beschadigen. **Wij adviseren dat de handbediening als regel voortdurend aan de lader gekoppeld blijft als de Archimedes niet in gebruik is.**



12

Reiniging

Reinig uw Archimedes regelmatig met dezelfde niet-schurende reinigingsmiddelen die u normaal in uw bad gebruikt. Het is het beste het zitje en de basisgedeelten voor het reinigen uit elkaar te halen. De Archimedes kan worden gedesinfecteerd met een huishoudelijke steriliserende oplossing zoals 'Milton' of een ander antibacterieel schoonmaakmiddel.

Regelmatig reinigen zal helpen de levensduur en efficiëntie van uw Archimedes badlift te verlengen.

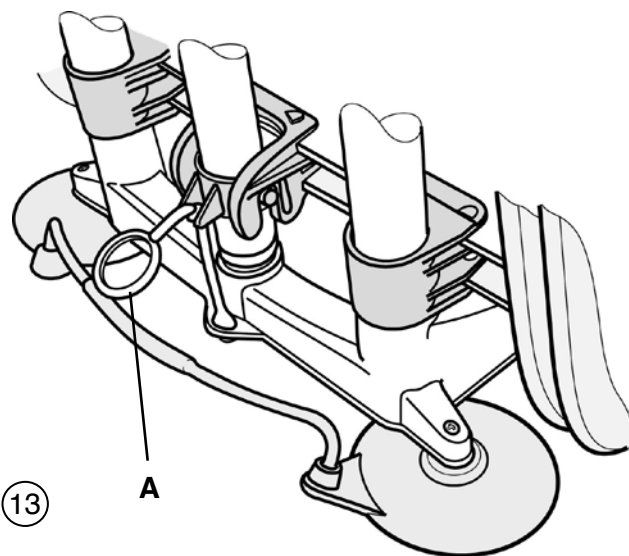
LET OP: Het is met name belangrijk dat uw Archimedes na elk bad grondig wordt gereinigd als Dettol of gelijksoortige producten aan het badwater waren toegevoegd.

Bewaren

De Archimedes dient opgeborgen te worden met het zitje volledig naar beneden en de handbesturing ontgrendeld. Tijdens opslag gedurende langere tijd wordt aanbevolen dat, met een tussenpoos van ongeveer drie maanden, de batterij een nacht wordt geladen.

Als de Archimedes voor langere tijd wordt opgeborgen, dient u ervoor te zorgen dat hij helemaal droog is en wordt opgeborgen in een droge omgeving.

Het transportoog (**A** fig.13) dient te worden bevestigd aan het zitgedeelte zodat de Archimedes gemakkelijk opgepakt en vervoerd kan worden.

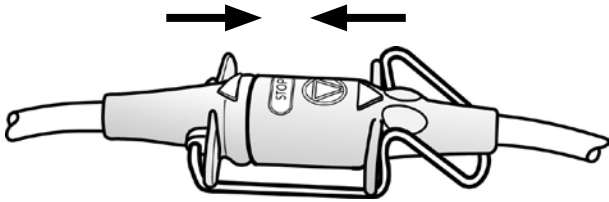


13

Onderhoud

Afgezien van regelmatige reiniging, is de Archimedes ontworpen om onderhoudsvrij te zijn, we adviseren echter dat uw Archimedes jaarlijks wordt geïnspecteerd door hetzij uw leverancier of iemand anders die daarvoor gekwalificeerd is. Neemt u s.v.p. contact op met uw leverancier of met Mangar International voor verder advies.

Er zitten geen onderdelen in de Archimedes die door de gebruiker moeten worden onderhouden. Reparaties of onderhoudsbeurten mogen slechts worden verricht door uw leverancier of iemand anders die geautoriseerd is.



14

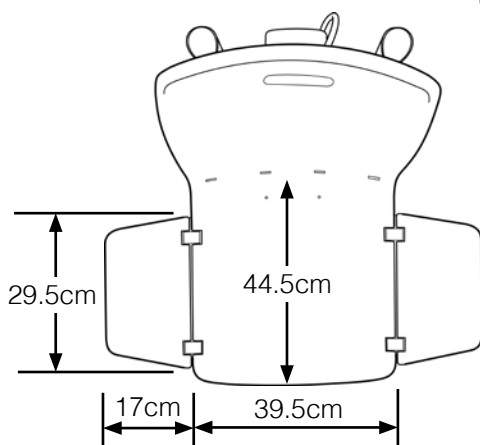
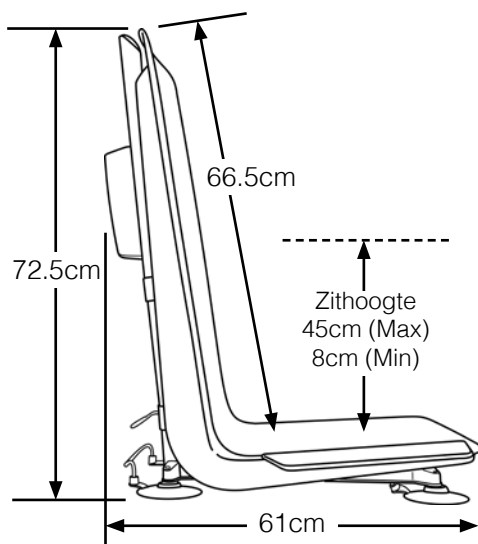
Opsporing van defecten

Als het zitje niet omhoog wil:

- Controleer of de stekker van de handbediening HELEMAAL in de contactdoos van het bedieningselement zit (fig.14).

Als het zitje niet omlaag wil:

- Controleer of het verklikkerlampje voor de staat van de batterij ROOD brandt. Leg in dat geval de handbediening 's nachts aan de lader.
- Controleer of de stekker van de handbediening HELEMAAL in de contactdoos van het bedieningselement zit (fig.14).



Specificaties

Archimedes

Max. gewicht gebruiker:	165kg
Totaal gewicht:	10kg
Zitgedeelte alleen:	5,2kg
Basisgedeelte alleen:	2,8kg
Bedieningselement:	2 kg
Zithoogte (Min/Max):	8cm/45cm
Toevoerstroombedieningselement:	12V: 7,5A
Milieubeveiligingsgraad:	IP66

Handbediening (batterij)

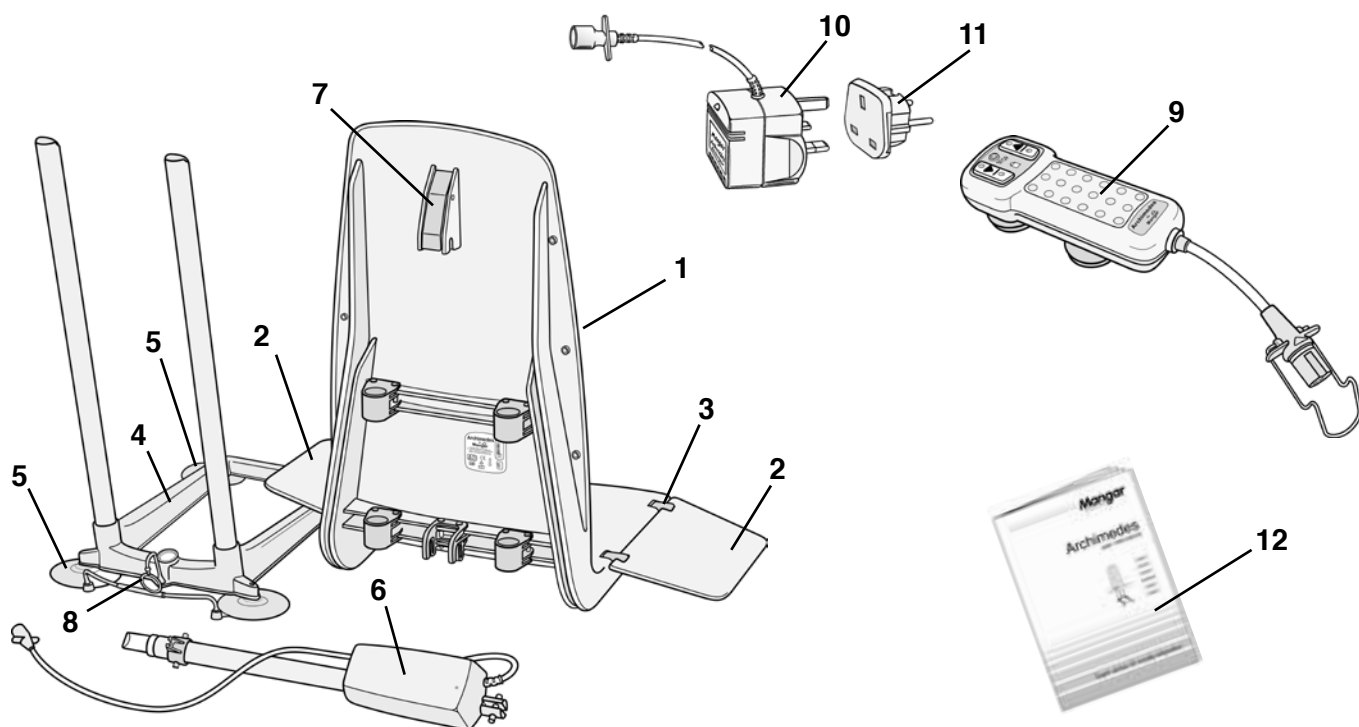
Type:	Ni-Cd
Uitgaand (max):	14V: 10A
Interne beveiliging:	zelf-resetende zekering
Milieubeveiligingsgraad:	IP67

Batterijlader

AC ingaand:	230V: 1,22VA: 50-60Hz
DC uitgaand:	17.4V: 70mA
Interne beveiliging:	zelf-resetende thermische uitschakeling
Milieubeveiligingsgraad:	IP50
Dubbel geïsoleerde installatie van klasse II	
Dit product is geschikt voor vervoer per vliegtuig.	

Onderdelenlijst

1	Zitje met rugleuning	LA0010	8	Draagdoog	LA0017
2	Klep	LA0011	9	Handbediening	LA0018
3	Scharnier (set van 2)	LA0012	10	Batterijlader	LA0019
4	Basisgedeelte van het zitje	LA0013	11	Europese elektrische adaptor	LA0020
5	Zuignap (set van 4)	LA0014	12	Handleiding	MI0173
6	Bedieningselement	LA0015			
7	Houder voor bedieningselement	LA0016			



Op labels en instructies gebruikte symbolen

	Pas op		Gevaarlijke spanning		Noodstopknop		Heet oppervlak		
	Raadpleeg instructies		Apparatuur van type BF (beveiligd tegen elektrische schok)		Druk om zitje omhoog te brengen		Gebruikscyclus		
	Wisselstroom		Indicatie batterijstatus		Druk om zitje omlaag te brengen	<table border="1"><tr><td>I = 10%</td></tr><tr><td>0 = 90%</td></tr></table>	I = 10%	0 = 90%	I = gebruikstijd 0 = tijd van niet gebruik
I = 10%									
0 = 90%									
	Gelijkstroom		Max/min omgevings-temperatuur waarbij gewerkt mag worden		Productiedatum	IP 66	Dicht voor het effect van douches		
	Dubbel geïsoleerd apparaat van klasse II ment		Max. gewicht gebruiker		Recyclen, niet weggooien met het huishoudelijk afval	IP 67	Dicht voor het effect van onderdompeling in water tot op een diepte van 1m		
	Niet in de badkamer of in de open lucht aansluiten op het stroomnet					IP 50	Geen bescherming tegen binnendringend water		

Wegdoen Van Product:

Moet worden weggedaan in overeenstemming met de plaatselijke voorschriften. Neem voor meer informatie contact op met uw leverancier.

Garantie

De garantie wordt gegeven op fouten in materiaal en techniek en omvat stukken, onderdelen en werkuren. De garantie is niet geldig in geval van normale slijtage, opzettelijke schade, algemene verwaarlozing, verkeerd gebruik of niet toegestane verandering of herstelling door niet gekwalificeerde personen.

De volgende verklaringen hebben geen effect op de statutaire rechten van de gebruiker. Dit product wordt verkocht met dien verstande dat in geval van enigerlei defect in fabricage of materiaal dat zich voordoet binnen de garantieperiode, het defect gratis zal worden hersteld op voorwaarde dat:

- (a) Terecht bewijs wordt bezorgd (bv. aankoopfactuur, afleveringsnota) dat het Eis wordt binnen de garantieperiode gemaakt.
- (b) Het defect is niet te wijzen aan toevallige schade (noch onderweg noch anderszijds), verkeerd gebruik of niet toegestane herstelling.

Serienummer Archimedes:

Aankoopdatum:

Nummer Factuur/Leveringsnota:

Manger International behoudt het recht de productspecificaties en/of andere informatie in dit document zonder aankondiging te wijzigen.

Italiano

Archimedes di Mangar è un elevatore da bagno leggero azionato da un meccanismo a batteria, costruito per essere utilizzato con facilità. Con Archimedes potrete farvi il bagno per molti anni senza problemi, essendo necessaria solo la manutenzione ordinaria e la ricarica delle batterie.

English	Pg 2
Deutsch	Pg 10
Français	Pg 18
Nederlands	Pg 26
Italiano	Pg 34
Español	Pg 42

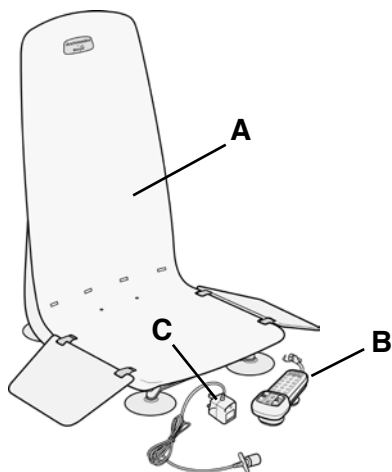
INDICE

Contenuto standard	Pg 35
Operazioni preliminari	Pg 35
Montaggio di Archimedes nella vasca da bagno	Pg 36
Controllo manuale	Pg 36
Indicatore dello stato della batteria	Pg 36
Pulsante di arresto d'emergenza	Pg 37
Utilizzo di Archimedes	Pg 37
Rimozione di Archimedes dalla vasca	Pg 37
Carica della batteria	Pg 38
Pulizia	Pg 38
Stoccaggio	Pg 38
Manutenzione	Pg 39
Individuazione guasti	Pg 39
Specifiche tecniche	Pg 39
Elenco componenti	Pg 40
Simboli utilizzati nelle etichette e nelle istruzioni	Pg 40
Garanzia	Pg 41



AVVERTIMENTI

- Accertarsi di aver letto e compreso a pieno le presenti istruzioni prima di utilizzare Archimedes.
- Archimedes deve essere utilizzato solo come ausilio per il bagno. Non deve MAI essere utilizzato fuori dal bagno.
- Prima dell'uso, accertarsi che le ventose aderiscano saldamente alla vasca da bagno.
- Archimedes è stato realizzato in modo tale da poter arrivare quanto più in basso possibile nella vasca da bagno. In vasche con basi/pareti eccezionalmente strette o curve potrebbe non essere adatto. Verificare sempre che la sezione di seduta possa essere completamente abbassata e quindi rialzata senza difficoltà. Prima dell'uso assicurarsi che sia posizionato correttamente.
- Accertarsi che lo schienale di Archimedes non entri nell'acqua.
- Accertarsi che le alette di trasferimento non siano intralciate, ad esempio da maniglie della vasca o portasapone, quando la sezione del sedile è sollevata.
- Caricare le batterie solo con il caricabatterie Mangar fornito con Archimedes.
- Non ricaricare MAI le batterie nella stanza da bagno, in ambienti all'aperto o in ambienti umidi.
- Non utilizzare in presenza di miscele di aria, ossigeno e protossido d'azoto anestetiche infiammabili.
- Non mettere in funzione l'azionamento quando è scollegato dalla base.
- Non utilizzare Archimedes come supporto per la pulizia del bagno o per raggiungere oggetti all'interno della vasca.
- Scollegare il comando a mano dagli attuatori prima del trasporto per evitare l'azionamento accidentale del meccanismo di sollevamento.
- Le ventose che si trovano nella sezione di base e sul comando manuale contengono lattice. Nessun'altra parte del prodotto o della sua confezione contiene lattice.



1

Contenuto standard

- 1 x Elevatore da bagno Archimedes (incluse due alette di trasferimento) (A fig.1).
- 1 x Controllo manuale sigillato (B).
- 1 x Carica batterie (C).
- 1 x Manuale di istruzioni per l'uso.

Operazioni preliminari

Disimballo - rimuovere il contenuto dall'imballaggio e controllare che non sia stato danneggiato durante il trasporto. Se è stato danneggiato, contattare immediatamente il fornitore.

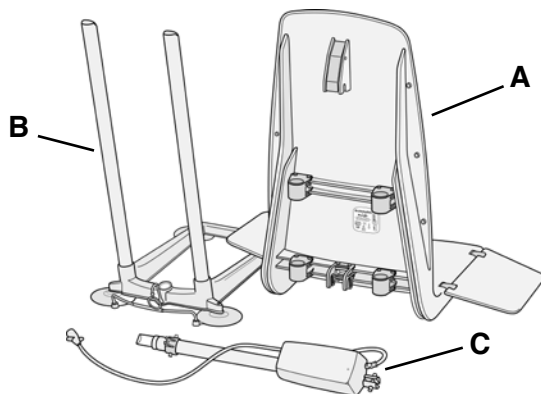
Batterie - Prima di utilizzare Archimedes per la prima volta caricare le batterie come indicato di seguito:

- collegare il controllo manuale al caricabatterie e inserire la spina in una presa ALL'ESTERNO DELLA STANZA DA BAGNO e lasciare in carica la batteria per tutta la notte (vedi "Carica della batteria").

Sedile e base - Archimedes può essere separato facilmente in tre sezioni (fig.2).

- Sezione del sedile (A)
- Sezione base (B)
- Azionamento (C)

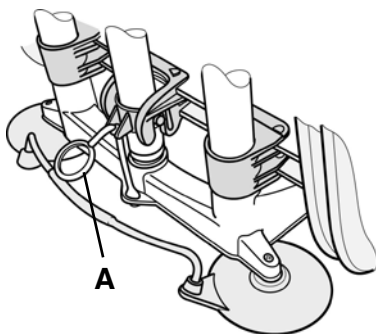
2



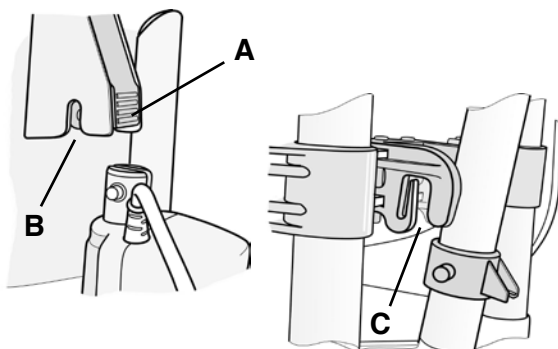
Per separare il sedile dalla base e dall'azionamento procedere come indicato di seguito:

- Abbassare completamente il sedile e piegare le alette di trasferimento sul sedile.
- Rilasciate il tirante di trasporto (A fig.3) tirando verso l'alto l' o-ring e sollevare la sfera dalla fessura che si trova nella fascetta fissata all'asta dell'azionamento.
- Premere la parte inferiore del dispositivo di chiusura sul retro del sedile (A fig. 4) mentre si solleva il sedile in modo sufficiente da consentire all'azionamento di sganciarsi dalla fessura del dispositivo di chiusura (B) e dal supporto di fissaggio dell'azionamento (C). Ora è possibile rimuovere l'azionamento dalla sezione base.
- Sollevare la sezione del sedile dalla sezione base.
- Riasssemblare in ordine inverso. Non riattaccare il tirante di trasporto a meno che non si intenda trasportare Archimedes da assemblato.

3



4



Montaggio di Archimedes nella vasca da bagno

- Prima di posizionare Archimedes nella vasca, accertarsi che la superficie dove verranno applicate le ventose sia pulita e priva di olio da bagno e da residui di detersivi. Rimuovere il materiale antiscivolo da quest'area.
- **ATTENZIONE:** le ventose potrebbero non aderire adeguatamente a superfici antiscivolo e strutturate.
- Rimuovere l'azionamento e la sezione del sedile dalla base (vedi "Operazioni preliminari"). Inumidire le ventose e posizionare la sezione della base il più vicino possibile alla pendenza posteriore della vasca. Riposizionare l'azionamento nella presa sul retro dell'unità base (**A** fig.5).
- Ripiegare le alette di trasferimento sul sedile e far scivolare la sezione del sedile sulla sezione della base. Porre la parte superiore dell'azionamento nella fessura dell'aggancio (**B**) sul retro della sezione del sedile e accertarsi che vada al suo posto con un clic. **NOTA:** Prima di utilizzare Archimedes, accertarsi che il sedile possa scivolare liberamente su e giù (fig 6).
- Inserire il controllo manuale nel cavo di azionamento e chiudere la staffa di bloccaggio (**A** fig 7).
- Riempire la vasca di acqua ad una temperatura adatta.

Controllo manuale

Il controllo manuale è un'unità completamente sigillata contenente una batteria ricaricabile e una spia di indicazione di stato della batteria; non contiene parti utilizzabili dall'utente. NON tentare di aprirlo.

Indicatore dello stato della batteria

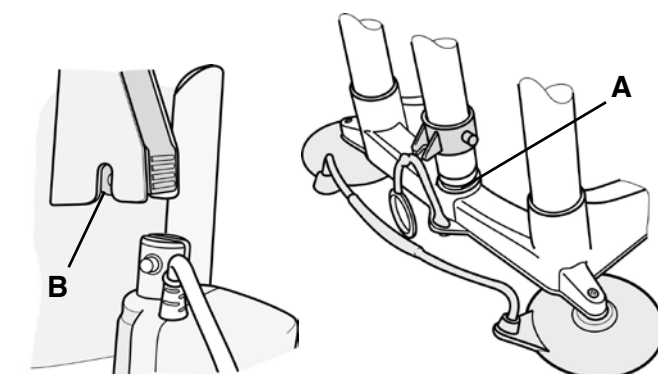
Se si preme il tasto 'Su' o il tasto 'Giù', la spia (**A** fig. 8) indica lo stato della batteria come indicato di seguito:

VERDE - OK.

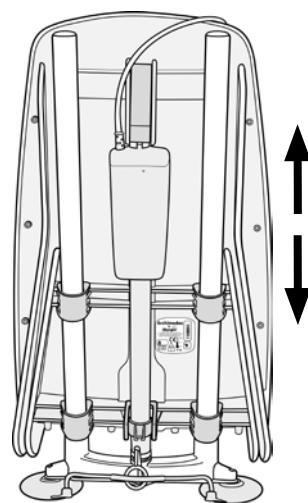
VERDE LAMPEGGIANTE - OK, ma la batteria deve essere ricaricata dopo questo bagno.

ROSSO - La batteria deve essere ricaricata prima dell'uso. Il sedile non si abbasserà. **NOTA:** il microprocessore nel controllo manuale non consentirà al sedile di abbassarsi se rileva che la batteria non è sufficientemente carica per sollevarlo.

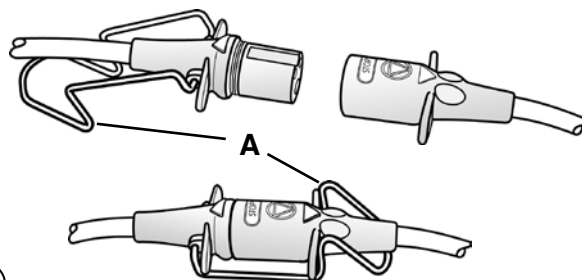
La batteria non è riutilizzabile. Quando raggiunge la fine della durata utile, indicata dalla mancata capacità di ricevere o di mantenere la carica (l'indicatore di stato della batteria diventa spesso rosso), il controllo manuale deve essere sostituito completamente con uno nuovo. Il controllo manuale deve essere restituito al fornitore o a Mangar International per essere smaltito in modo sicuro. NON smaltire il controllo manuale con i comuni rifiuti.



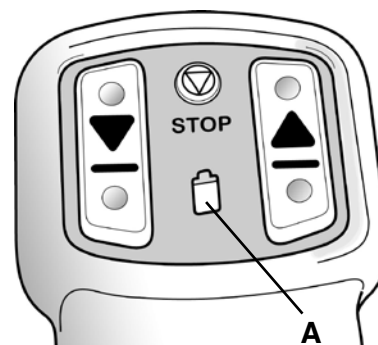
5



6



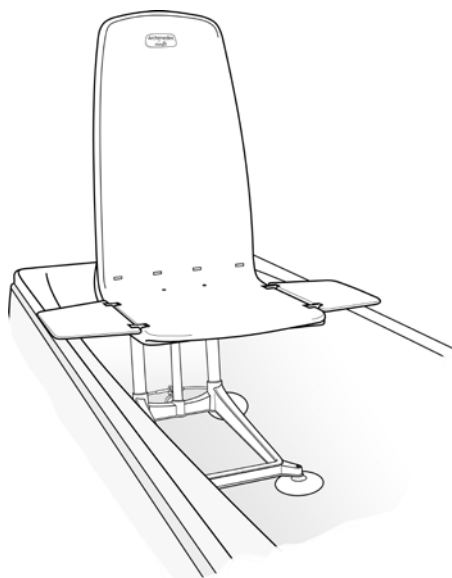
7



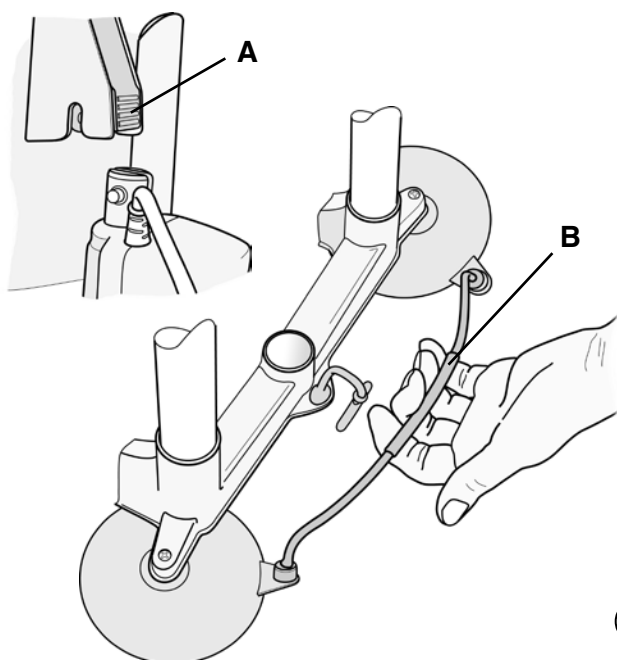
8



9



10



11

Pulsante di arresto d'emergenza

In caso di emergenza, è possibile arrestare il movimento del sedile in qualunque momento, premendo il pulsante 'STOP' sul controllo manuale (A fig. 9).

NOTA: Per interrompere il movimento del sedile in qualunque momento, si possono anche rilasciare i pulsanti 'Su' o 'Giù'.

Utilizzo di Archimedes

ATTENZIONE: Si tenga presente che il comando manuale possiede un'importante funzione di sicurezza che assicura che il sedile non si possa abbassare se non c'è abbastanza carica nella batteria per risollevarlo. Per attivare in modo efficace questa funzione, **SOLLEVARE SEMPRE IL SEDILE USANDO IL COMANDO MANUALE** e **USARLO** anche per abbassarsi nella vasca da bagno.

- Premere il pulsante 'Su' sul controllo manuale per sollevare il sedile.
- Rilasciare il pulsante 'Su' quando il sedile è a livello del bordodella vasca. **NOTA:** accertarsi che le alette di trasferimento siano a livello e ben fissate del bordo della vasca (fig. 10) prima del trasferimento.
- Sedersi sulle alette e trasferirsi sul sedile.
- Premere il pulsante 'Giù' per sollevarvi. Rilasciare il pulsante in qualsiasi momento per fermare il sedile.
- Per sollevare il sedile, premere il pulsante 'Su'. Rilasciare il pulsante quando l'aletta di trasferimento è a livello e fissata al bordo della vasca.

Rimozione di Archimedes dalla vasca

- Abbassare completamente il sedile.
- Fissare le alette di trasferimento al sedile.
- Premere il dispositivo di chiusura sul retro del sedile (A fig. 11) e sollevare il sedile dalla base.
- Sollevare verso l'esterno l'azionamento.
- Sollevare la ventosa, rilasciare la maniglia sul retro della sezione della base (B fig. 11) e piegare in avanti la base.
- Continuare a piegare in avanti la base. Questo farà staccare automaticamente le ventose anteriori e sarà possibile sollevare la sezione della base dalla vasca. **NOTA:** NON utilizzare la maniglia di rilascio delle ventose (B) per inclinare o sollevare la sezione della base. Non cercare MAI di staccare le ventose posteriori tirando le barre guida.

Carica della batteria

- Scollegare il controllo manuale dall'azionamento.
- Collegare il controllo manuale al caricabatterie (fig.12).
- Collegare il caricabatteria ad una presa di corrente all'esterno della stanza da bagno e accenderlo. La spia gialla sul caricatore (**A** fig. 12) si accenderà ad indicare che il caricabatterie è collegato correttamente ed è in funzione.

Quando la batteria deve essere ricaricata, il controllo manuale deve essere lasciato in carica per tutta la notte. Il controllo manuale può essere lasciato in carica di continuo senza pericolo di danneggiare la batteria e il caricatore. **Si consiglia di lasciare il controllo manuale sempre in carica quando Archimedes non è in uso, per motivi di routine.**

Pulizia

Pulire ad intervalli regolari Archimedes con i detersivi non abrasivi che si usano normalmente per il bagno. È meglio separare la sezione del sedile e della base prima di procedere alla pulizia. Archimedes può essere disinfettato utilizzando una soluzione sterilizzante brevettata quale 'Milton' o altri detersivi antibatterici.

Una pulizia regolare serve per prolungare la durata e l'efficienza di Archimedes.

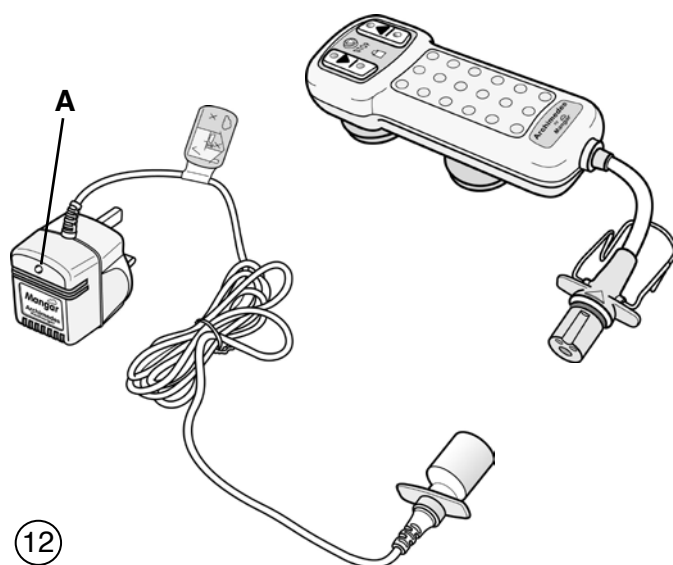
NOTA: È particolarmente importante pulire i sollevatori tipo archimede dopo ciascun bagno se all'acqua del bagno è stato aggiunto 'Dettol' o prodotti simili.

Stoccaggio

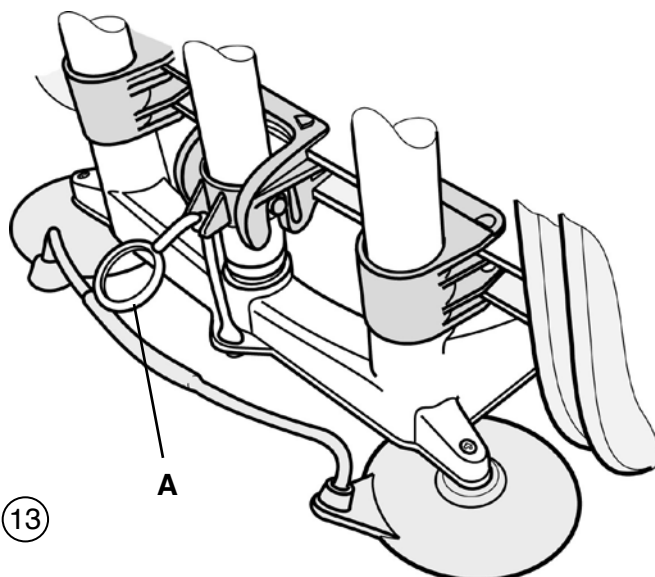
Archimedes deve essere riposto con la sezione del sedile completamente abbassata e il controllo manuale scollegato. Se viene tenuto fermo per un lungo periodo, si raccomanda di mettere in carica la batteria per l'intera notte ogni tre mesi circa.

Se viene tenuto fermo per lunghi periodi, accertarsi che Archimedes sia completamente asciutto e che venga riposto in un ambiente asciutto.

Il tirante di trasporto (**A** fig. 13) deve essere collegato alla sezione della base per consentire di afferrare e muovere con facilità Archimedes.



12

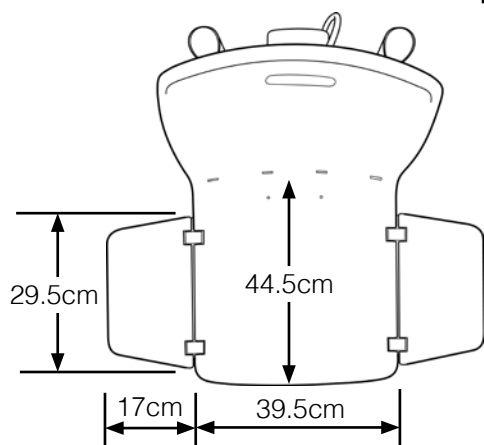
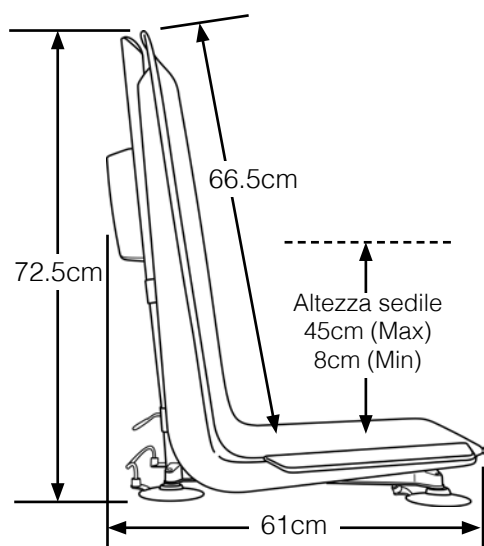
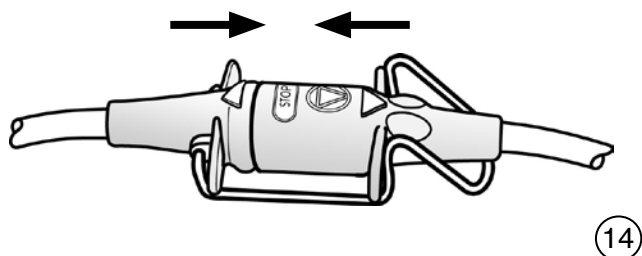


13

Manutenzione

Se non per la pulizia di routine, Archimedes è stato progettato per non avere bisogno di manutenzione. Tuttavia, si consiglia di eseguire una ispezione annuale di Archimedes dal fornitore o da personale qualificato. Per ulteriori informazioni contattare il fornitore o Mangar International.

Archimedes non contiene componenti che servono all'utente. Le riparazioni e la manutenzione devono essere eseguite dal fornitore o da personale autorizzato.



Individuazione guasti

Se il sedile non si solleva:

- Controllare che la spina del controllo manuale sia **COMPLETAMENTE** inserita nella presa del cavo dell'azionamento (fig.14).

Se il sedile non si abbassa:

- Controllare se l'indicatore di stato della batteria è **ROSSO**. In questo caso, mettere in carica il controllo manuale per tutta la notte.
- Controllare che la spina del controllo manuale sia **COMPLETAMENTE** inserita nella presa del cavo dell'azionamento (fig.14).

Specifiche tecniche

Archimedes

Peso max utente:	165kg
Peso totale:	10kg
Sezione sedile:	5,2kg
Sezione base:	2,8kg
Azionamento:	2 kg
Altezza sedile (Min/Max):	8cm/45cm
Entrata alimentazione azionamento:	12V: 7,5A
Protezione ambientale:	IP66

Controllo manuale (batteria)

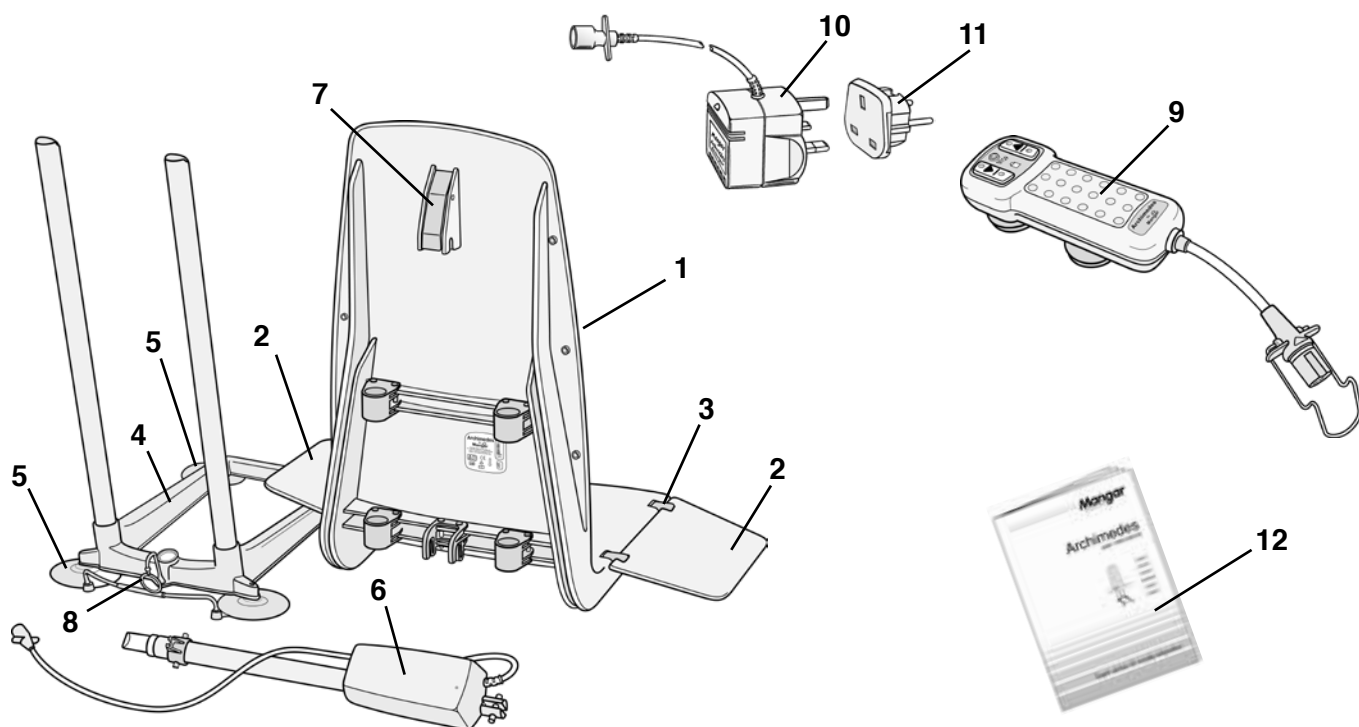
Tipo:	Ni-Cd
Uscita (max):	14V: 10A
Protezione interna:	fusibile con reset automatico
Protezione ambientale:	IP67

Caricabatterie

Entrata A.C.:	230V: 1,22VA: 50-60Hz
Uscita D.C.:	17.4V: 70mA
Protezione interna:	interruttore termico con reset automatico
Protezione ambientale:	IP50
Equipaggiamento classe II a doppio isolamento	
Questo prodotto è adatto per il trasporto aereo.	

Elenco componenti

1	Gruppo sedile	LA0010	8	Tirante di trasporto	LA0017
2	Aletta	LA0011	9	Controllo manuale	LA0018
3	Cerniera (2)	LA0012	10	Caricabatterie	LA0019
4	Gruppo base	LA0013	11	Adattatore elettrico europeo	LA0020
5	Ventose (4)	LA0014	12	Manuale d'uso	MI0173
6	Gruppo azionamento	LA0015			
7	Arresto azionamento	LA0016			



Simboli utilizzati nelle etichette e nelle istruzioni

	Attenzione		Voltaggio pericoloso		Pulsante di arresto d'emergenza		Superficie calda
	Consultare istruzioni		Equipaggiamento tipo BF (protezione contro scosse elettriche)		Premere per sollevare il sedile		Ciclo di lavoro utile I = tempo di funzionamento 0 = tempo di non funzionamento
	Corrente alternata		Indicatore stato batteria		Premere per abbassare il sedile		IP 66 Sigillato contro penetrazioni
	Corrente diretta		+45° Temperatura operativa °C +4° ambientale max/min		Dati del prodotto		IP 67 Sigillato contro gli effetti dovuti a immersione in acqua profonda fino a 1 metro
	Equipaggiamento classe II doppio isolamento		Soglia max peso utente		Riciclare, non smaltire nei rifiuti domestici Ni-Cd		IP 50 Nessuna protezione contro l'ingresso di acqua
	Non collegare alla rete elettrica in bagno o all'aperto						

Smaltimento Del Prodotto

Smaltire nel rispetto delle norme vigenti localmente. Per ulteriori indicazioni, contattare il proprio fornitore.

Garanzia

La garanzia copre i difetti dei materiali e della fabbricazione e comprende pezzi, parti e lavoro. La garanzia non è valida in caso di normale usura, danno intenzionale, uso improprio, o alterazione o riparazione non autorizzate da parte di persone non qualificate.

Le dichiarazioni che seguono non influiscono sui diritti riconosciuti del consumatore. Il presente prodotto viene venduto con la cognizione che, in caso di difetti di produzione o del materiale, che si manifestino dentro il periodo di garanzia, il difetto verrà corretto senza ulteriori oneri, a condizione che:

- (a) Venga fornita ragionevole prova (p. es. scontrino d'acquisto o nota di consegna) che il reclamo è fatto dentro il periodo di garanzia.
- (b) Il difetto non sia attribuibile a danno accidentale (durante il trasporto o altrimenti), uso improprio o riparazione non autorizzata.

Numero di serie di Archimedes:

Data d'acquisto:

Numero di scontrino o nota di consegna:

Mangar International si riserva il diritto di modificare senza preavviso le specifiche tecniche e/o qualsiasi altra informazione contenuta in questo documento.

Español

El Archimedes de Mangar, es un lift para bañera de peso ligero, accionado por un actuador, diseñado para el manejo fácil. El Archimedes le servirá muchos años para bañarse sin problemas, únicamente requiriéndose la limpieza de rutina y la recarga de la batería.



ADVERTENCIAS

- Asegúrese que haber leído y comprendido completamente estas instrucciones antes de tratar de operar el Archimedes.
- El Archimedes debería ser utilizado como ayuda de bañar solamente; NUNCA utilizarlo fuera de una bañera.
- Asegúrese de que las ventosas se adhieran firmemente a la bañera antes del uso.
- El diseño del asiento Archimedes le permite descender hasta el fondo de la bañera. Por lo tanto, es posible que no encaje en bañeras muy estrechas o que tengan los lados o la base con forma curva. Compruebe siempre que el módulo de la silla puede descender completamente y ascender de nuevo sin problemas, y asegúrese de que está correctamente colocado antes de utilizarlo.
- No permita que el Archimedes se encuentre en el agua de la bañera con su parte trasera hacia arriba.
- Asegúrese de que las aletas de transferencia quedan libres de cualquier obstrucción, como barandillas de bañera o jaboneras, cuando la sección del asiento se eleve.
- Recargue la batería solamente con el cargador de batería Mangar suministrado con el Archimedes.
- NUNCA recargue la batería en el cuarto de baño, al aire libre o en un ambiente húmedo.
- No lo utilice en presencia de mixturas anestésicas inflamables con aire, oxígeno u óxido de nitrógeno.
- No maneje el actuador cuando el mismo esté desconectado de la base.
- No utilice el Archimedes como soporte para apoyarse. Vd. mismo al limpiar la bañera o al alcanzar dentro de la bañera para extraer objetos.
- Desconecte el control manual del actuador antes de transportar a fin de evitar el funcionamiento accidental del mecanismo de elevación.
- Las tazas de succión en la sección de la base y en el control de la mano contienen látex, Ninguna otra parte del producto ni el embalaje asociado contienen látex.

English	Pg 2
Deutsch	Pg 10
Français	Pg 18
Nederlands	Pg 26
Italiano	Pg 34
Español	Pg 42

CONTENIDO

Contenido estándar	Pg 43
Cómo iniciar el proceso	Pg 43
Fijar el Archimedes en la bañera	Pg 44
Control manual	Pg 44
Indicador del estado de la batería	Pg 44
Botón de detención de emergencia	Pg 45
Utilizar el Archimedes	Pg 45
Alejar el Archimedes de la bañera	Pg 45
Cargar la batería	Pg 46
Limpieza	Pg 46
Almacenamiento	Pg 46
Mantenimiento	Pg 47
Búsqueda de fallo	Pg 47
Especificaciones	Pg 47
Lista de piezas	Pg 48
Símbolos empleados para etiquetas adhesivas y en las instrucciones de uso	Pg 48
Garantía	Pg 49

Contenido estándar

- 1 x Lift de bañera Archimedes (inclusive dos aletas de transferencia) (A fig.1).
- 1 x Control manual sellado (B).
- 1 x Cargador de batería (C).
- 1 x Instrucciones para el usuario.

Cómo iniciar el proceso

Desempacar - Saque el contenido del embalaje y contrólole para asegurarse de que no haya sido dañado durante el transporte. Si eso viene al caso, póngase en contacto inmediatamente con su suministrador.

Batería - Ésta deberá ser cargada antes de utilizar su Archimedes por primera vez de la siguiente manera:

- 1
 - Conecte el control manual al cargador de batería y enchufe el cargador a una caja de enchufe FUERA DEL CUARTO DE BAÑO y deje que la batería se cargue durante la noche (ver "Cargar la batería").

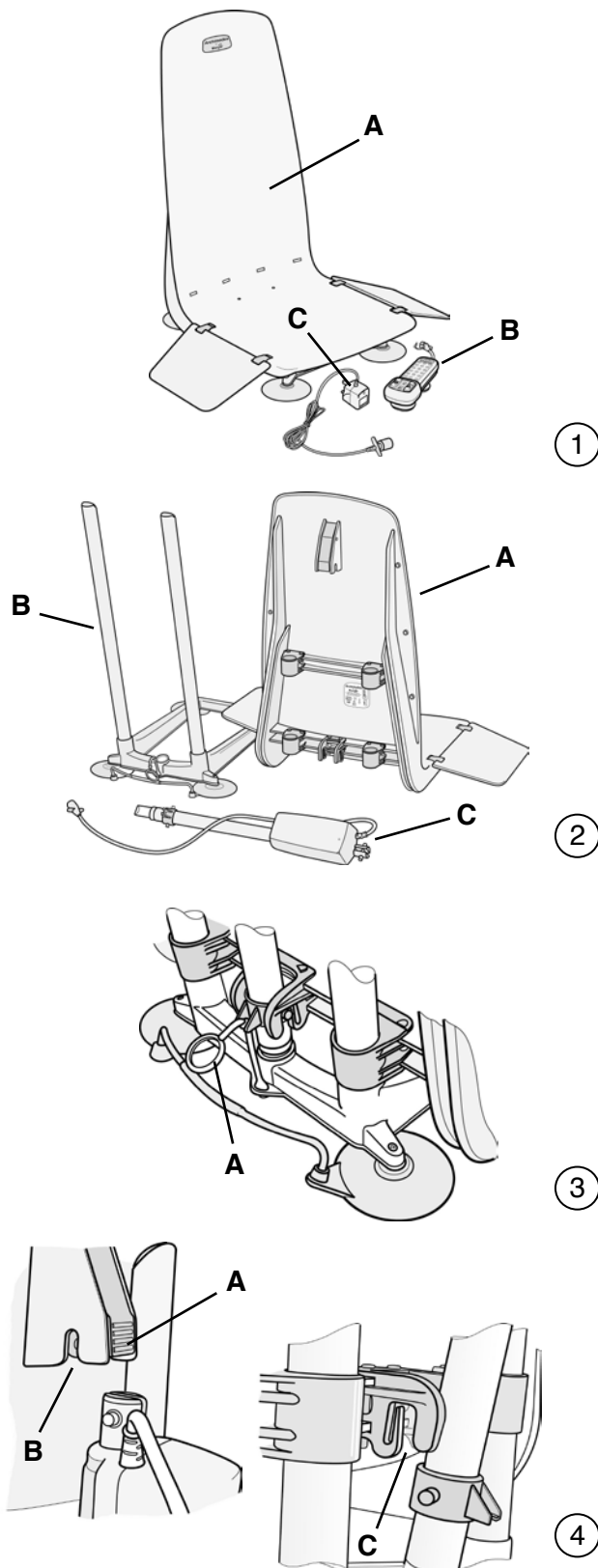
Secciones de asiento y base - El Archimedes puede ser fácilmente separado en tres secciones (fig.2).

- Sección del asiento (A)
- Sección de la base (B)
- Actuador (C)

Para separar el asiento de la sección de base y del actuador:

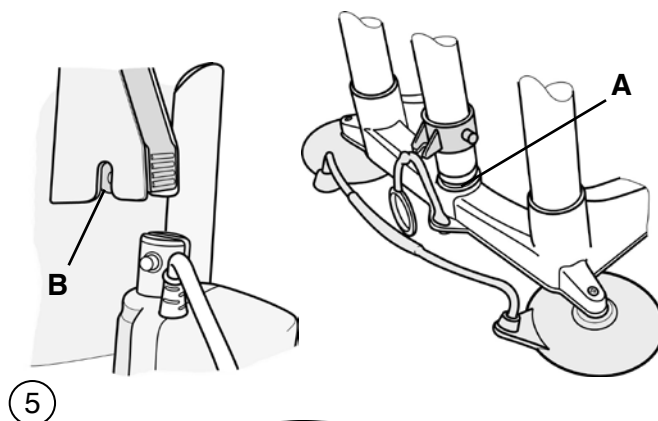
- 2
 - Baje completamente el asiento y pliegue las aletas de transferencia hacia encima del asiento.
 - Afloje el dispositivo fijador de transferencia (A fig.3) por medio de tirar hacia arriba el anillo en 'O' y levantando la bola claramente de la ranura en el collar de fijación en la varilla del actuador.
 - Oprima la parte inferior del inmovilizador en el dorso del asiento (A fig. 4) mientras levante el asiento suficientemente para permitir que el actuador se desenganche de la ranura en el inmovilizador (B) y de la abrazadera de fijación del actuador (C). El actuador puede ser alejado ahora de la sección base.
 - Levante la sección del asiento de la sección base.
 - Efectúe el reensamblaje en el orden inverso. No vuelva a fijar el dispositivo fijador para el transporte, a menos que Vd. esté tratando de acarrear el Archimedes ensamblado.

El dispositivo fijador para el transporte debería ser fijado de nuevo al dorso de la sección del asiento solamente para mantener juntas ambas secciones, tanto la del asiento como la de la base, mientras Vd. acarree el Archimedes.

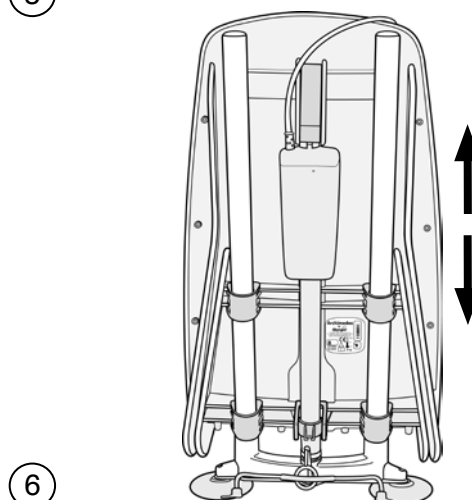


Fijar el Archimedes en la bañera

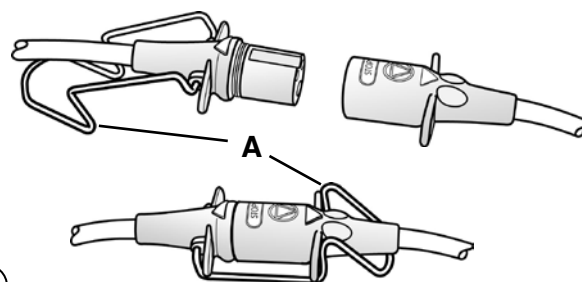
- Antes de colocar el Archimedes en la bañera, compruebe que la superficie donde estén sentadas las ventosas sea limpia y libre de aceite de baño y de residuos de limpieza. Aleje la estera antideslizante de este área. **ADVERTENCIA:** Es posible que las ventosas no se adhieran apropiadamente en áreas texturizadas y antideslizantes.
- Aleje el actuador y la sección de asiento de la base (ver "Cómo iniciar el proceso"). Humedezca cada una de las ventosas y coloque la sección base lo más cerca posible del respaldo inclinado de la bañera. Reposicione el actuador en la hembra en el dorso de la unidad base (**A** fig. 5).
- Pliegue las aletas de transferencia hacia el asiento y deslice la sección del asiento por la sección de la base. Coloque el extremo superior del activador en la ranura del seguro (**B**) de la parte posterior de la sección del asiento y asegúrese de que encaja en su lugar. **NOTA:** Asegúrese de que el asiento se puede deslizar libremente arriba y abajo antes de utilizar el Arquímedes (Fig. 6).
- Acople el control manual al cable del actuador y cierre el clip de retención (**A** fig. 7).
- Llene la bañera con agua a una temperatura adecuada.



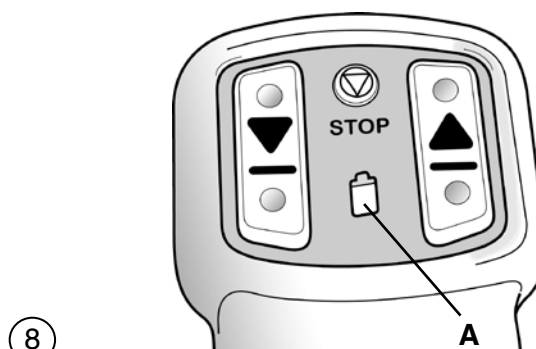
5



6



7



8

Control manual

El control manual es una unidad completamente sellada que contiene una batería recargable y una luz indicadora del estado de la misma; no incluye partes que puedan ser mantenidas por el usuario. NO intente abrirlo.

Indicador del estado de la batería

Cuando sea oprimido el botón "Arriba" o el botón "Abajo", la luz del indicador (**A** fig. 8) indica el estado de la batería como sigue:

VERDE - OK para el uso.

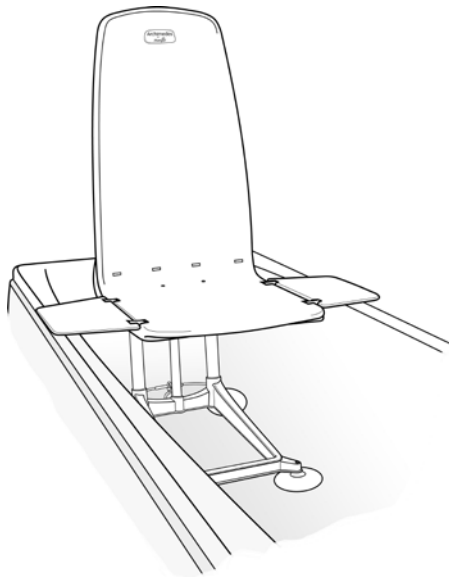
VERDE DESTELLANTE - OK para el uso, pero la batería requiere ser recargada después de este baño.

ROJO - La batería debe ser recargada antes del uso. El asiento no se baja. **NOTA:** El microprocesor en el control manual no permitirá que sea bajado el asiento si el mismo detecta que la batería no tendrá suficiente fuerza para levantarlo de nuevo.

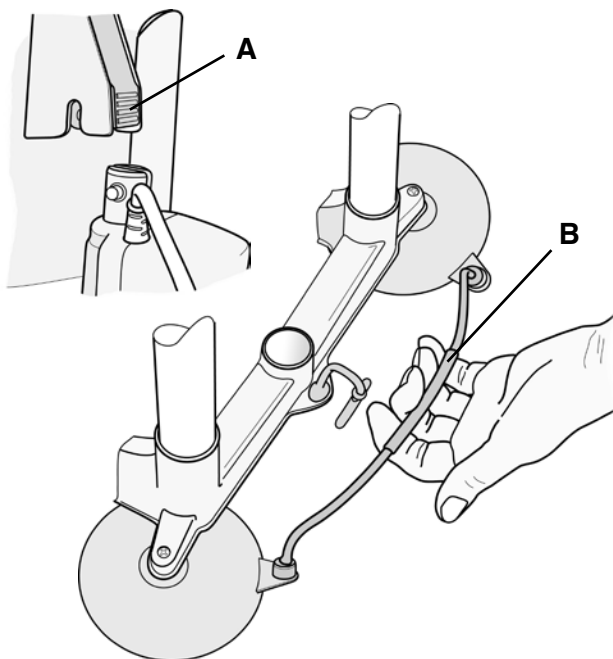
La batería no es reemplazable. Al alcanzar el fin de su vida, lo que se indica al fallar la aceptación o el retenimiento de carga (frecuentemente indicando la luz roja en el indicador de estado de la batería), el control manual completo tendrá que ser cambiado por uno nuevo. El control viejo debería ser devuelto a su suministrador o a Mangar International para que sea desechado seguramente. NO tire su control manual a la basura corriente.



9



10



11

Botón de detención de emergencia

En caso de emergencia, el movimiento del asiento se puede detener en cualquier momento pulsando el botón de detención 'STOP' del control manual (A fig. 9).

NOTA: Soltando los botones 'Arriba' o 'Abajo' en cualquier momento, también se detendrá el movimiento del asiento.

Utilizar el Archimedes

ADVERTENCIA: Tenga en cuenta que el control manual incorpora una práctica función de seguridad que garantiza que el asiento no descenderá a menos que cuente con suficiente batería como para volver a elevarse. Para activar esta función, ELEVÉ SIEMPRE EL ASIENTO UTILIZANDO EL CONTROL MANUAL y ÚSELO para descender dentro de la bañera.

- Oprima el botón 'Arriba' en el control manual para levantar el asiento.
- Suelte el botón 'Arriba' cuando el asiento esté a ras del borde de la bañera. **NOTA:** Asegúrese de que la aleta de transferencia esté al mismo nivel del borde de la bañera (fig. 10) y apoyada sobre el mismo antes de efectuarse la transferencia.
- Siéntese sobre la aleta y efectúe la transferencia moviéndose hacia el asiento.
- Oprima el botón 'Abajo' para bajarse. Vd. mismo(a) al soltar el botón en cualquier punto, parará el asiento.
- Para levantar el asiento, oprima el botón 'Arriba' cuando la aleta de transferencia esté al mismo nivel del borde de la bañera y apoyada sobre el mismo.

Alejar el Archimedes de la bañera

- Baje el asiento completamente.
- Pliegue las aletas de transferencia hacia encima del asiento.
- Oprima el inmovilizador en el dorso del asiento (A fig.11) y levante el asiento liberándolo de la base.
- Levante y extraiga el actuador.
- Levante el dispositivo aflojar de ventosa en el dorso de la sección de base (B fig.11) e incline la base hacia adelante.
- Continúe inclinando la base hacia adelante. Eso soltará automáticamente la succión de las ventosas delanteras, y la sección base podrá ser levantada entonces de la bañera. **NOTA:** NO utilice la palanca para soltar la ventosa (B) para inclinar o levantar la sección base. NUNCA intente aflojar la succión en las ventosas traseras por medio de tirar de las barras guía.

Cargar la batería

- Desconecte el control manual del actuador.
- Conecte el control manual al cargador de batería (fig.12).
- Conecte el cargador de batería a una toma de red eléctrica fuera del cuarto de baño y enciéndalo. La luz ámbar del cargador (**A** fig. 12) se encenderá para indicar que el cargador se ha conectado correctamente y se está cargando.

Cuando la batería requiera ser recargada, el control manual debería quedarse bajo carga durante la noche. El control manual puede quedarse bajo carga continuamente sin dañarse la batería o el cargador. **Recomendamos que el control manual quede continuamente bajo carga, como asunto de rutina, cuando el Archimedes no sea utilizado.**

Limpieza

Limpie regularmente su Archimedes con los mismos agentes de limpieza no abrasivos que Vd. utiliza normalmente en su bañera. Lo mejor es separar el asiento y las secciones base antes de efectuar la limpieza. El Archimedes puede ser desinfectado por medio de emplear una solución esterilizante apropiada, como por ej. 'Milton' u otro agente de limpieza antibacterial.

Una limpieza regular contribuirá a la prolongación de vida y la eficiencia de su lift Archimedes.

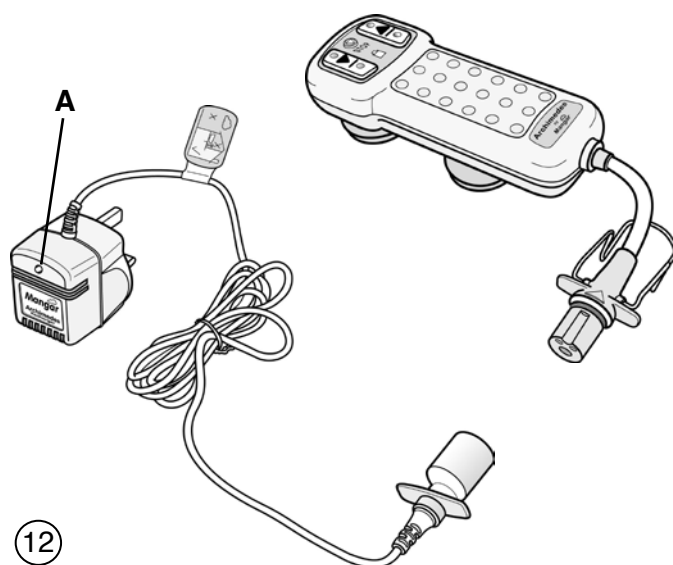
NOTA: es muy importante limpiar a fondo su Arquímedes después de cada baño, si 'Dettol' o productos similares se han añadido al agua de baño.

Almacenamiento

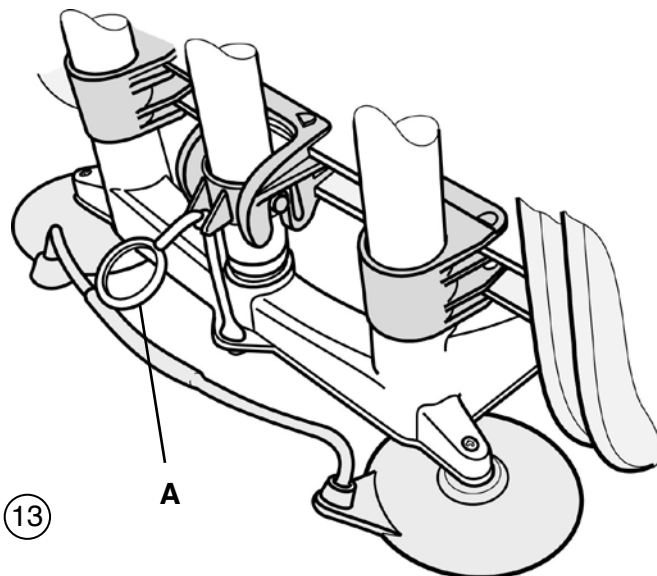
El Archimedes debe almacenarse con la sección del asiento completamente bajada y el control manual desconectado. En almacenamientos prolongados, se recomienda cargar la batería durante la noche cada tres meses aproximadamente.

Al almacenarlo durante largos periodos de tiempos, asegúrese de que el Archimedes esté completamente seco y se almacene en un entorno seco.

El dispositivo fijador para el transporte (**A** fig. 13) debería ser fijado a la sección de asiento para permitir que el Archimedes sea levantado y movido fácilmente.



12

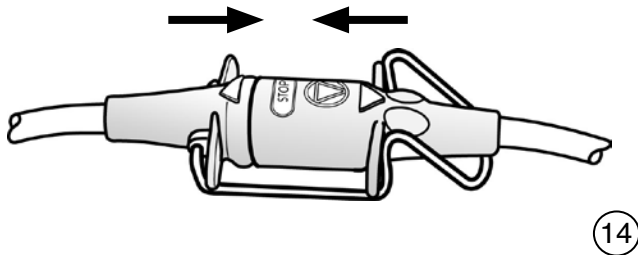


13

Mantenimiento

Sin contar la limpieza de rutina, el Archimedes ha sido diseñado para ser libre de mantenimiento; sin embargo, recomendamos que se efectúe la inspección anual por su suministrador o por otra persona calificada para ello. Para más detalles, por favor póngase en contacto con su suministrador o con Mangar International.

No hay partes en el Archimedes que puedan ser mantenidas por el usuario. Los trabajos de reparación o mantenimiento deberán ser efectuados solamente por su suministrador u otra persona autorizada.



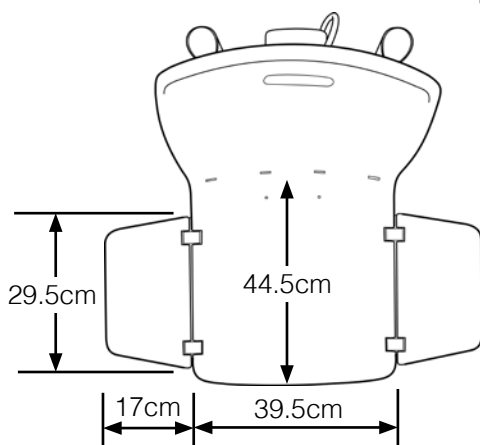
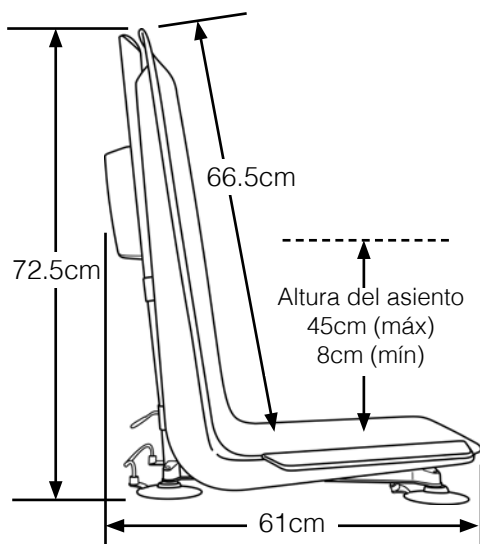
Búsqueda de fallo

Si el asiento no se deja levantar:

- Compruebe que el enchufe del control manual esté COMPLETAMENTE introducido dentro de la hembra del cordón del actuador (fig.14).

Si el asiento se deja bajar:

- Compruebe si la luz del indicador del estado de la batería está en ROJO. Si el control manual está puesto bajo carga durante la noche.
- Compruebe que el enchufe del control manual esté COMPLETAMENTE introducido dentro de la hembra del cordón del actuador (fig.14).



Especificaciones

Archimedes

Peso máximo del usuario:	165kg
Peso total:	10kg
Sección del asiento solamente:	5,2kg
Sección de la base solamente:	2,8kg
Actuador:	2 kg
Altura del asiento (mín-máx):	8cm/45cm
Tensión de entrada del actuador:	12V; 7,5A
Modo de protección:	IP66

Control manual (batería)

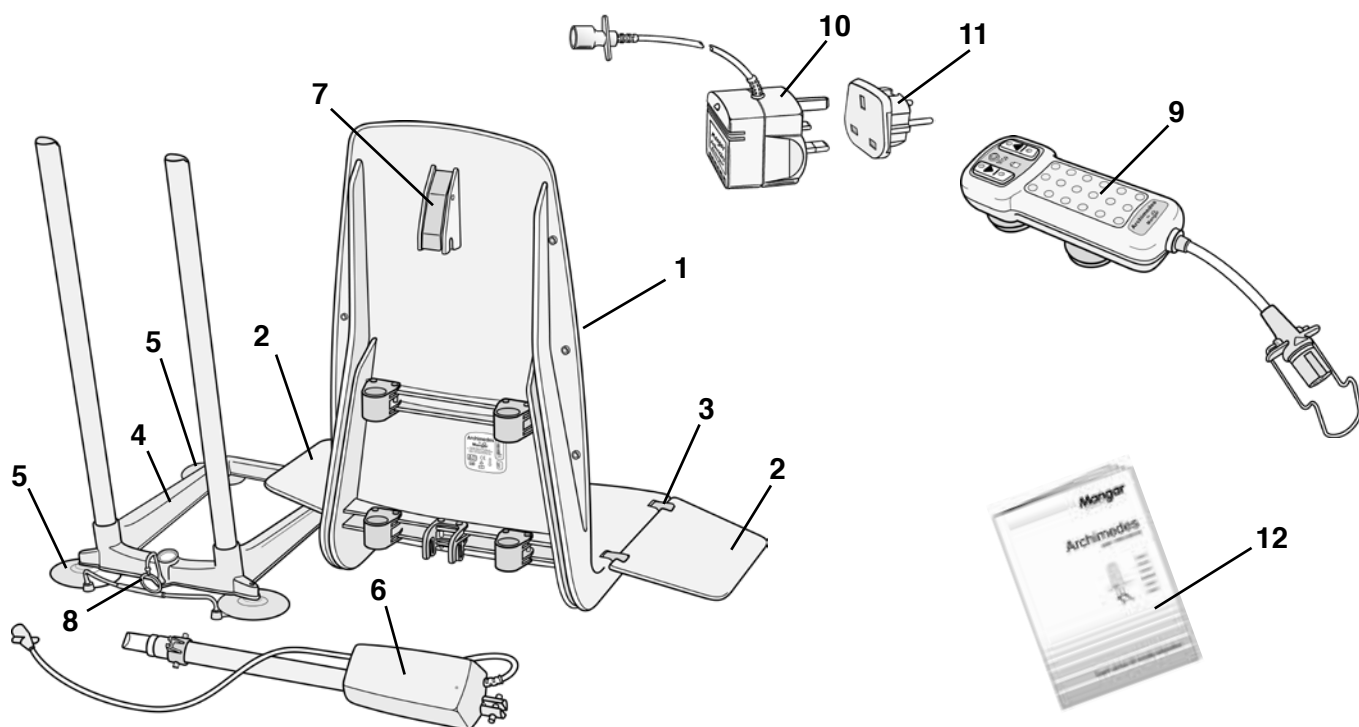
Tipo:	Ni-Cd
Salida (max):	14V: 10A
Protección interna:	Fusible con reposición automática
Modo de protección:	IP67

Cargador de batería

Entrada c.a.:	230V; 1,22VA; 50-60Hz
Salida c.c.:	17.4V: 70mA
Protección interna:	Disyuntor térmico con reposición automática
Modo de protección:	IP50
Equipo de la clase II de doble aislamiento	
Este producto es apropiado para el transporte en avión.	

Lista de piezas

1	Ensamblaje de asiento	LA0010	8	Dispositivo fijador para el transporte	LA0017
2	Aleta	LA0011	9	Control manual	LA0018
3	Bisagra (juego de 2)	LA0012	10	Cargador de batería	LA0019
4	Ensamblaje base	LA0013	11	Adaptador eléctrico europeo	LA0020
5	Ventosa (juego de 4)	LA0014	12	Instrucciones de servicio	MI0173
6	Ensamblaje de actuador	LA0015			
7	Enclavamiento del actuador	LA0016			



Símbolos empleados para etiquetas adhesivas y en las instrucciones de uso

	Atención		Tensión peligrosa		Botón de detención de emergencia 'STOP'		Superficie caliente
	Leer las instrucciones		Equipo del tipo BF (protección contra golpes eléctricos)		Oprima para levantar el asiento		Ciclo I = Tiempo de conexión 0 = Tiempo de descon
	Corriente alterna		Indicador del estado de la batería		Oprima para bajar el asiento		IP 66 Sellado contra los efectos de duchas
	Corriente directa		Temperatura ambiente de servicio máx./mín +45° °C +4°		Fecha de fabricación		IP 67 Sellado contra los efectos de inmersión en agua a una profundidad de 1 metro
	Equipo de clase II de aislamiento doble		Límite de peso máximo del usuario		No tirar el reciclaje a la basera doméstica Ni-Cd		IP 50 No hay protección contra la penetración de agua
	No conectar a la red eléctrica en el baño o al aire libre						

Eliminación Del Producto

Deseche el producto con arreglo a la normativa local. Para obtener asesoramiento al respecto, contacte con su proveedor.

Garantía

Esta garantía es contra cualquier defecto en el material y en la manufactura y comprende las piezas y el montaje. La garantía no es válida si en el caso de desgaste natural, daño intencionados, negligencia, mal uso o alteración o reparación no autorizada por personas no cualificadas.

Las declaraciones siguientes no afectan a los derechos del consumidor establecidos por ley. Este producto se vende con el acuerdo de que en el caso de cualquier defecto de manufactura o del material que se produzcan dentro del período de garantía, el defecto de solucionará sin coste siempre que:

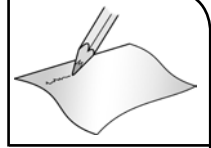
- (a) Se proporcione prueba razonable (p. ej. Factura de compra, nota de entrega) de que el reclamo es hecho dentro del período de garantía.
- (b) El defecto no se puede atribuir a un daño accidental (ya sea en su transporte o de otra manera), uso incorrecto o reparación no autorizada.

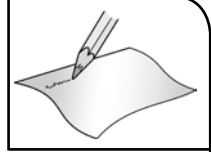
Número de serie del Archimedes:

Fecha de compra:

Número de nota de envío/factura:

Mangar International se reserva el derecho de modificar las especificaciones del producto y/o cualquier información contenida en este documento sin previo aviso.





Simple solutions for everyday independence

Mangar
INTERNATIONAL

Mangar International

Presteigne, Powys, Wales, LD8 2UF
United Kingdom

tel: +44 (0)1544 267674

fax: +44 (0)1544 260287

e-mail: sales@mangar.co.uk

www.mangar.co.uk

www.mangarhealth.com