

Installation Instructions for Exterior Stowage of Holder

1. Apply top hook of Pendant Holder to the top of the rail of the Caregiver side (Figure 1).
2. Push the holder to allow the lower hook to attach to the center rail (Figure 2).
3. Insert the pendant into the holder (Figure 3).

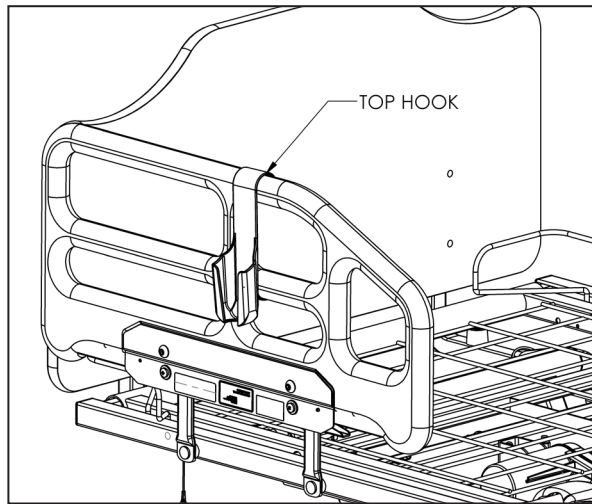


Figure 1

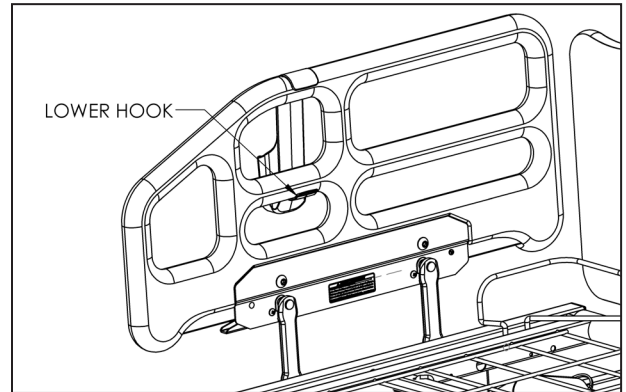


Figure 2

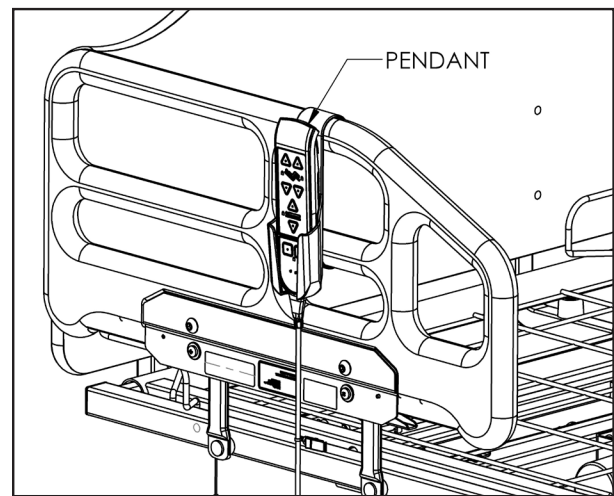


Figure 3