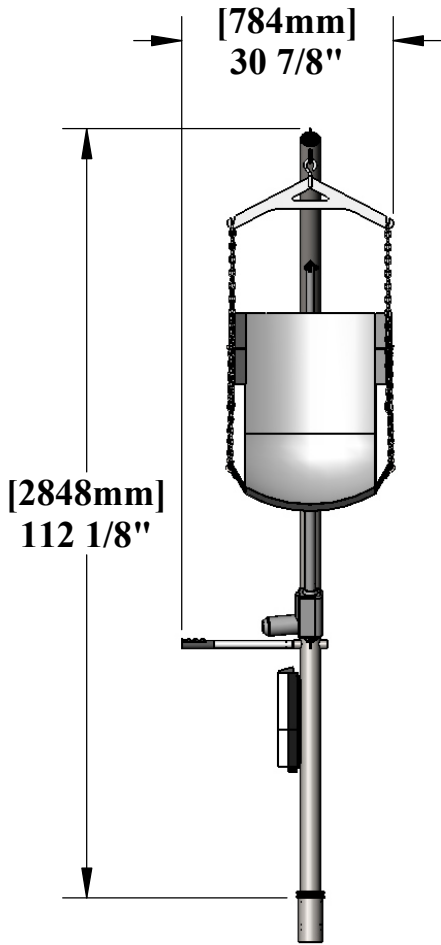
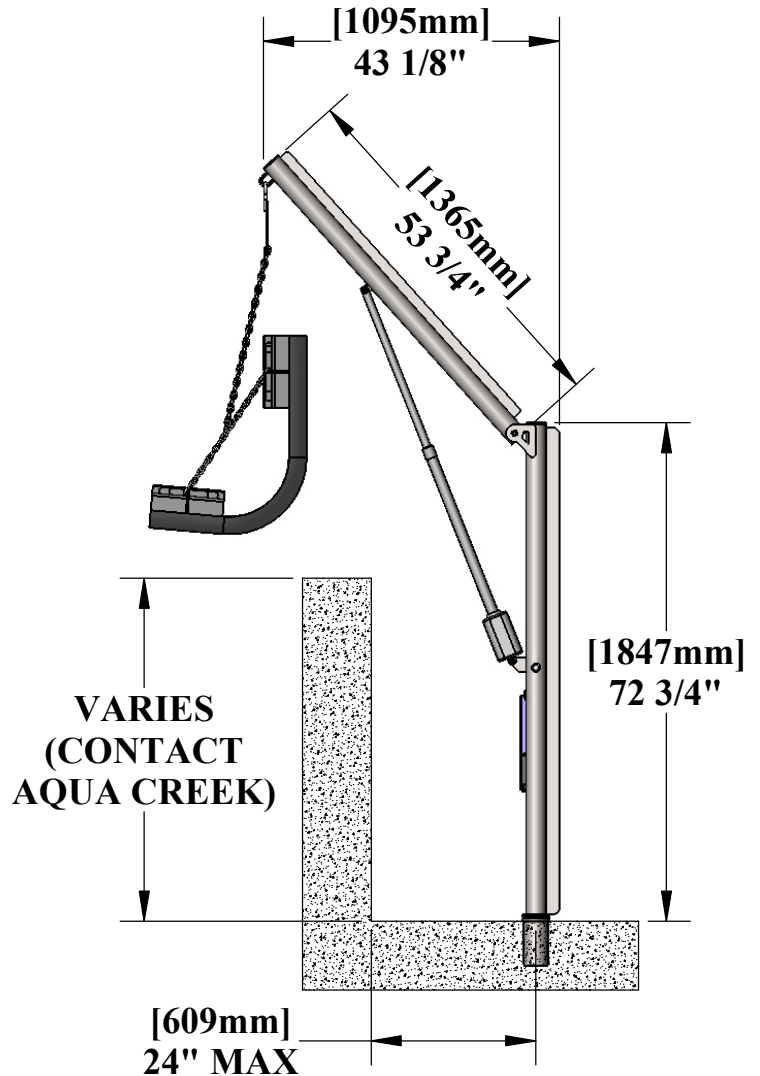


SUPER POWER EZ POOL LIFT

MEASUREMENT TAKEN WITH THE LIFT AT FULL LOAD AND CHAINS EXTENDED

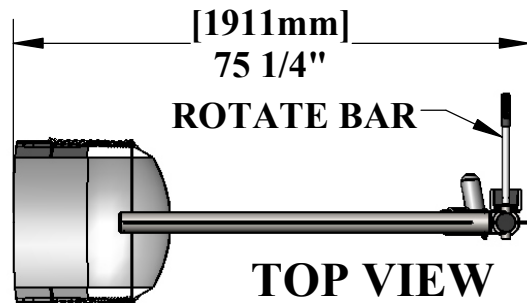


FRONT VIEW
(FULLY RAISED)



SIDE VIEW
(FULLY RAISED)

PRODUCT WEIGHT: 120lbs [54kg]
MAX WEIGHT CAPACITY: 400lbs [181kg]
MIN ANCHOR SETBACK: 21"
MAX ANCHOR SETBACK: 24"
MAX WALL HEIGHT: 58"



TOP VIEW
(ARMS HORIZONTAL
FOR MAX LENGTH)

9889 GARRYMORE LANE
 MISSOULA, MT 59808
 (406) 549-0769
 FAX (406) 549-2602

NOTE:
 *SPECIFICATIONS ARE SUBJECT TO CHANGE WITHOUT NOTICE

PRODUCT: SUPER POWER EZ LIFT	
PART #: F-190PHBL	
SCALE: 1:28	DATE: 6/17/2016
DRAWN BY: KR	REVISION: A



Aqua Creek Products
 The Total Solution for Pool and Spa Access