

# COMPACT PRO POST-OP KNEE

## Quick Release Buckle, Cool Wrap with Drop Lock and Extending Struts

**BEFORE USING THE DEVICE, PLEASE READ THE FOLLOWING INSTRUCTIONS COMPLETELY AND CAREFULLY. CORRECT APPLICATION IS VITAL TO THE PROPER FUNCTIONING OF THE DEVICE.**

### WARNINGS AND PRECAUTIONS

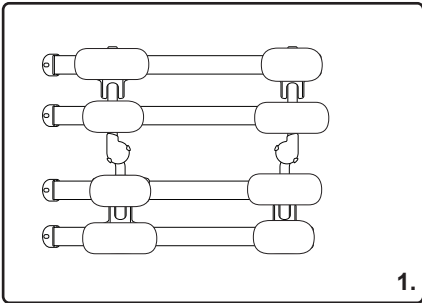
If pain and/or numbness occurs, contact your medical professional immediately.

Always consult with your physician or therapist before making changes to the settings.

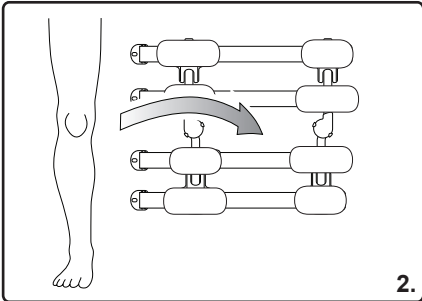
This product is to be used under the supervision of a medical professional. This device is not intended for unsupervised public use.

This product is designed for single patient use only.

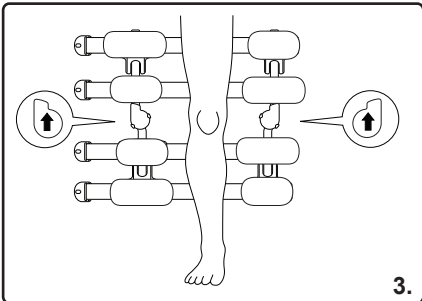
### APPLICATION INSTRUCTIONS



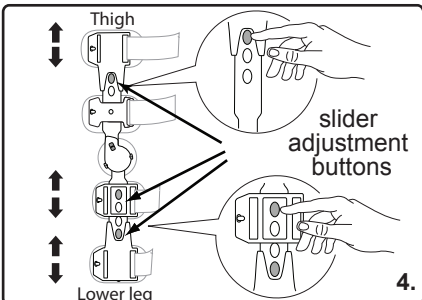
1. Open brace as shown.



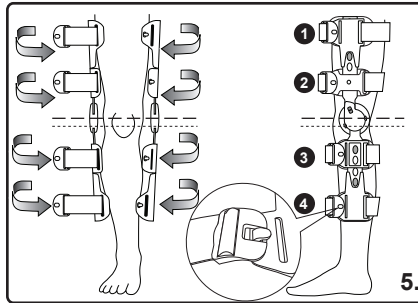
2. Position brace in a flat position as shown. Set leg over brace centered approximately between both struts.



3. Leg should be positioned approximately as shown centered between struts with straps positioned to the rear of the leg. Verify hinge and buckle orientation is as shown.

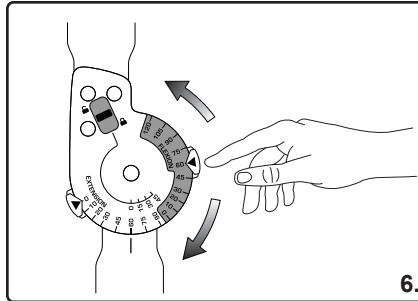


4. Each side of the brace has 3 sliders that can be independently adjusted to accommodate different leg lengths. To adjust push slider button and move to desired position. Ensure that the button "snaps" and locks into new position for secure placement and that both sides of brace are set at the same positions.

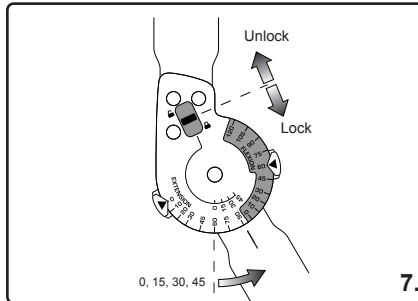


5. Wrap brace around both sides of leg. Struts should be positioned as shown in the side view, with hinge slightly above center of knee.

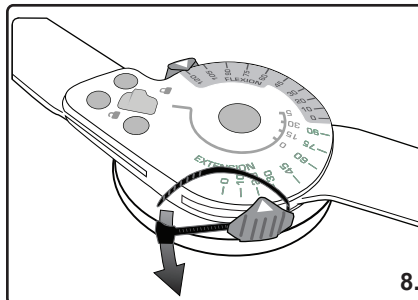
Secure straps in the following sequence: 3,2,4,1 by inserting quick release buckle and tightening with free end. Excess strap ends can be trimmed off.



6. ROM (Range of Motion) dials are unlocked by pushing button toward center of hinge. Push button and rotate ROM dials to desired flexion/extension position and release button to lock. After adjustment make sure both left and right sides of brace are set at the same positions.



7. The brace may be locked into one of 4 positions (0, 15, 30 and 45 degrees). Push Drop Lock lever DOWN to lock and UP to unlock. Always make sure both left and right locks are set at the same positions.



8. If desired the ROM Adjusters can be locked in position with included zip ties. To lock insert zip tie as shown making sure it is behind button tab with blue printed arrow. Wrap around ROM adjuster and secure snugly. Trim off excess after tightening.

