



566DG

**TO ORDER: Tel 800-347-5678 • Fax 800-726-0601 • [www.grahamfield.com](http://www.grahamfield.com)**

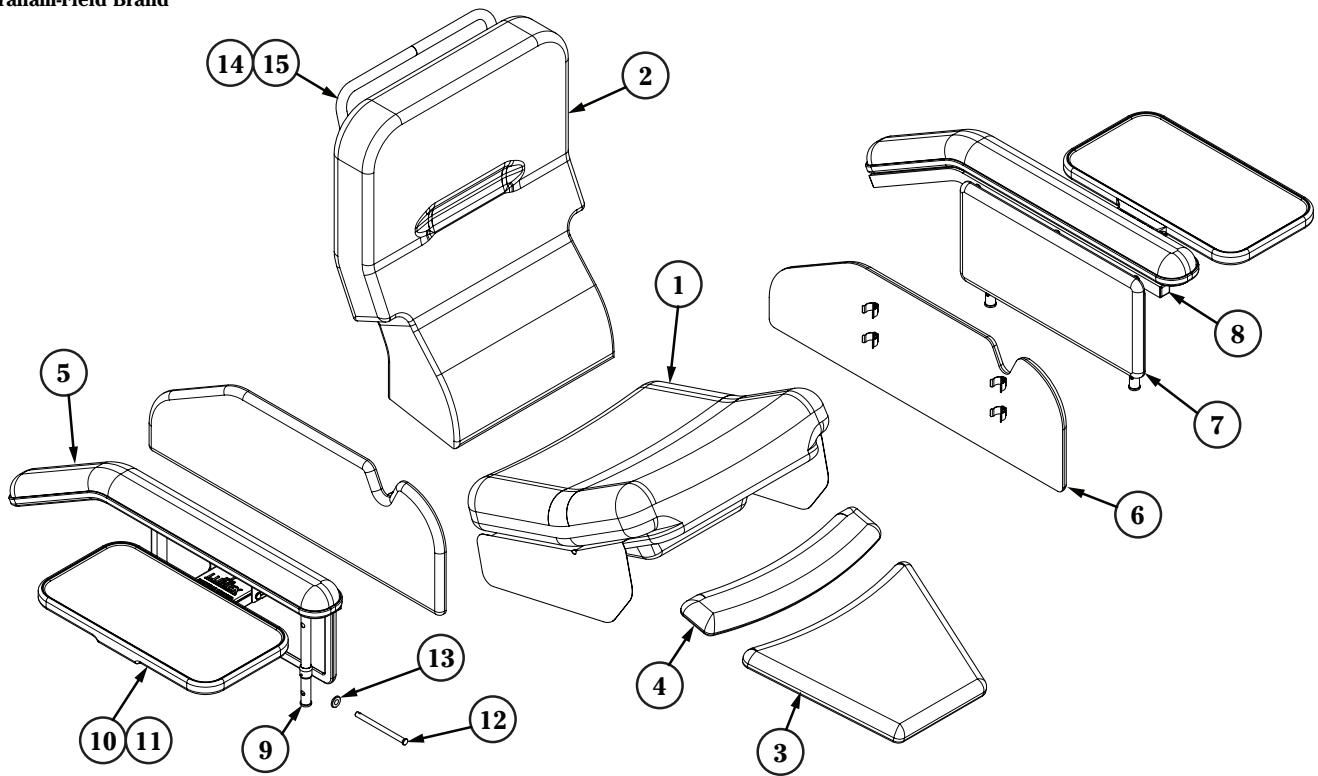
**Returns: Parts may not be returned without prior authorization from GF Health Products, Inc. Custom parts cannot be returned for credit. Please refer to GF Health Products, Inc. Terms and Conditions for further information.**

**GF Health Products, Inc. is not responsible for typographical errors. Packaging, warranties, products and specifications are subject to change without notice. Lumex® and Graham-Field® are registered trademarks of GF Health Products, Inc.**

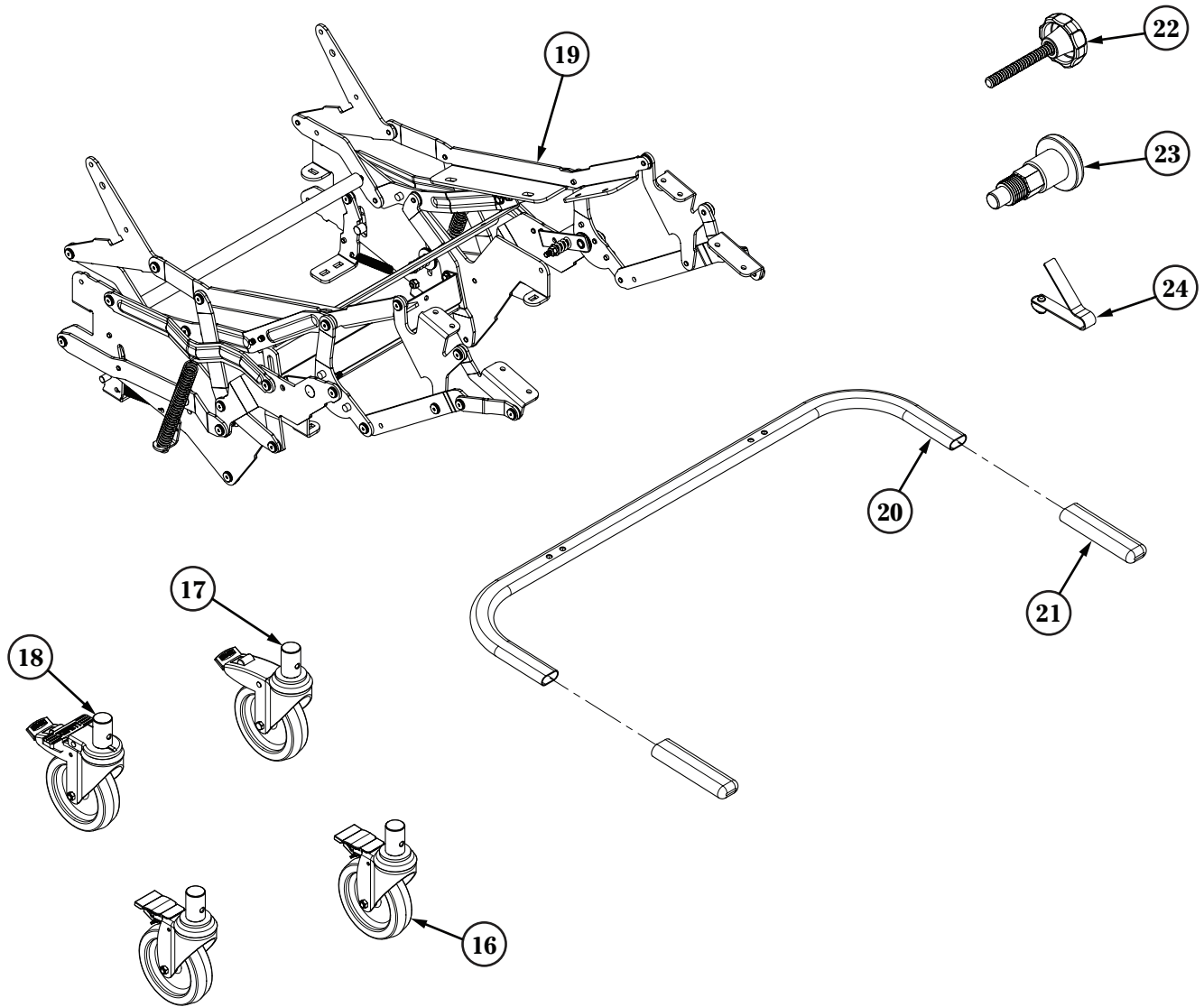


© June 2009, GF Health Products, Inc., All Rights Reserved

GF Health Products, Inc. • 2935 Northeast Parkway, Atlanta, GA 30360 • tel 800-347-5678 • fax 800-721-0602 • [www.grahamfield.com](http://www.grahamfield.com)



	ITEM NUMBER	DESCRIPTION	QTY/UNIT
1A	56601UXXX	Seat Upholstery	1 each
1B	56601UXXXFR	Seat Upholstery (CA-133 Fire Rated)	1 each
2A	56602UXXX	Back Upholstery	1 each
2B	56602UXXXFR	Back Upholstery (CA-133 Fire Rated)	1 each
3A	56603UXXX	Footrest Upholstery	1 each
3B	56603UXXXFR	Footrest Upholstery (CA-133 Fire Rated)	1 each
4A	56604UXXX	Legrest Upholstery	1 each
4B	56604UXXXFR	Legrest Upholstery (CA-133 Fire Rated)	1 each
5A	58735UXXX	Armrest Upholstery	1 each
5B	58735UXXXFR	Armrest Upholstery (CA-133 Fire Rated)	1 each
6	566DG020UXXX	Side Panel, Upholstered	1 pair
7	566DG010UXXX	Clothing Guard, Upholstered	1 pair
8	566DG003W	Right Drop Arm Assembly	1 each
9	566DG002W	Left Drop Arm Assembly	1 each
10	5792A001G	Side Table Assembly	1 each
11	PP830008G	Side Table Top Only	1 each
12	HP340750	Clevis Pin, Side Table	1 each
13	HS347702	Washer, Side Table	1 each
14	577A216G	Push Handle with Grip	1 each
15	9205	Grip, Push Handle	1 each



	ITEM NUMBER	DESCRIPTION	QTY/UNIT
16	WB170032	Caster Assembly, Front Locking	1 each
17	WB170017	Caster Assembly, Left Rear Locking	1 each
18	WB170034	Caster Assembly, Right Rear Locking	1 each
19	5660A200	Recliner Mechanism	1 each
20	5660C001G	Trendelenburg Release Tube with Hardware	1 each
21	PV860122	Grip, Vinyl, Release Tube	1 pair
22	PP460007	Knob, Back Attachment	1 pair
23	566DG05100	Drop Arm Pull Pin Assembly	1 each
24	BS030009	Release Button Spring	1 each