



565TG

TO ORDER: Tel 800-347-5678 • Fax 800-726-0601 • www.grahamfield.com

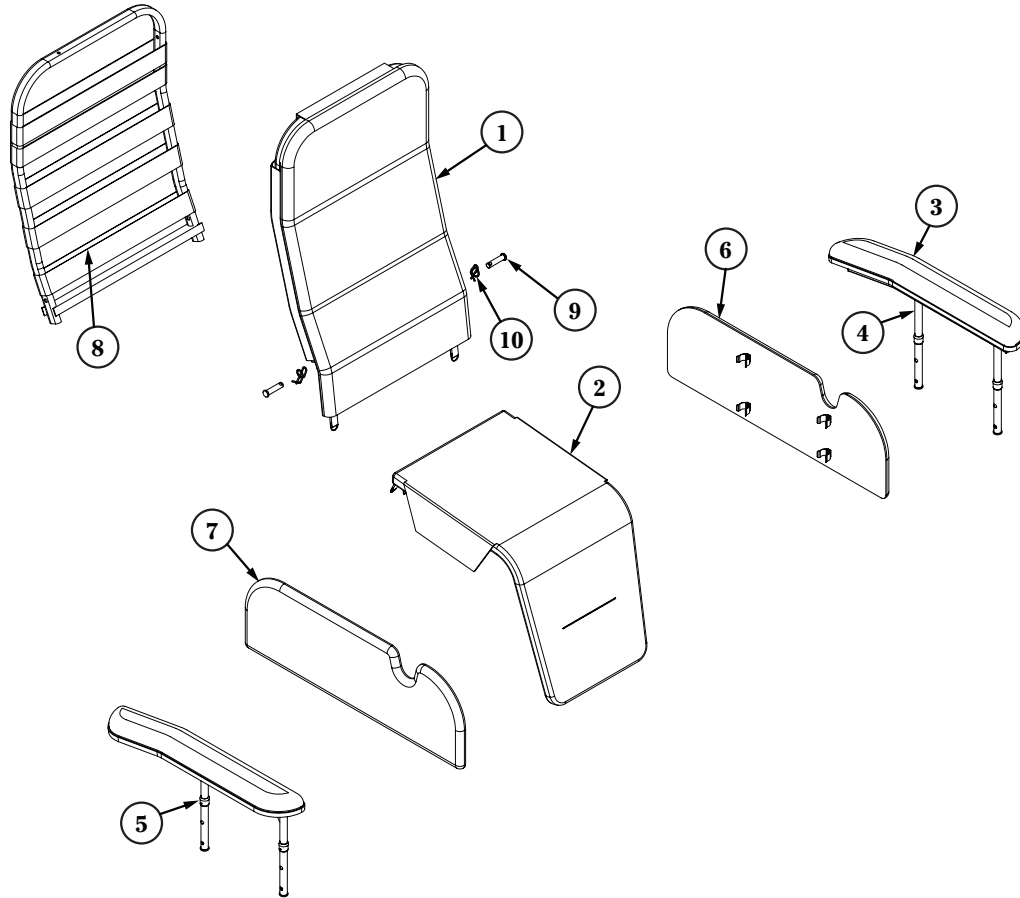
Returns: Parts may not be returned without prior authorization from GF Health Products, Inc. Custom parts cannot be returned for credit. Please refer to GF Health Products, Inc. Terms and Conditions for further information.

GF Health Products, Inc. is not responsible for typographical errors. Packaging, warranties, products and specifications are subject to change without notice. Lumex® and Graham-Field® are registered trademarks of GF Health Products, Inc.



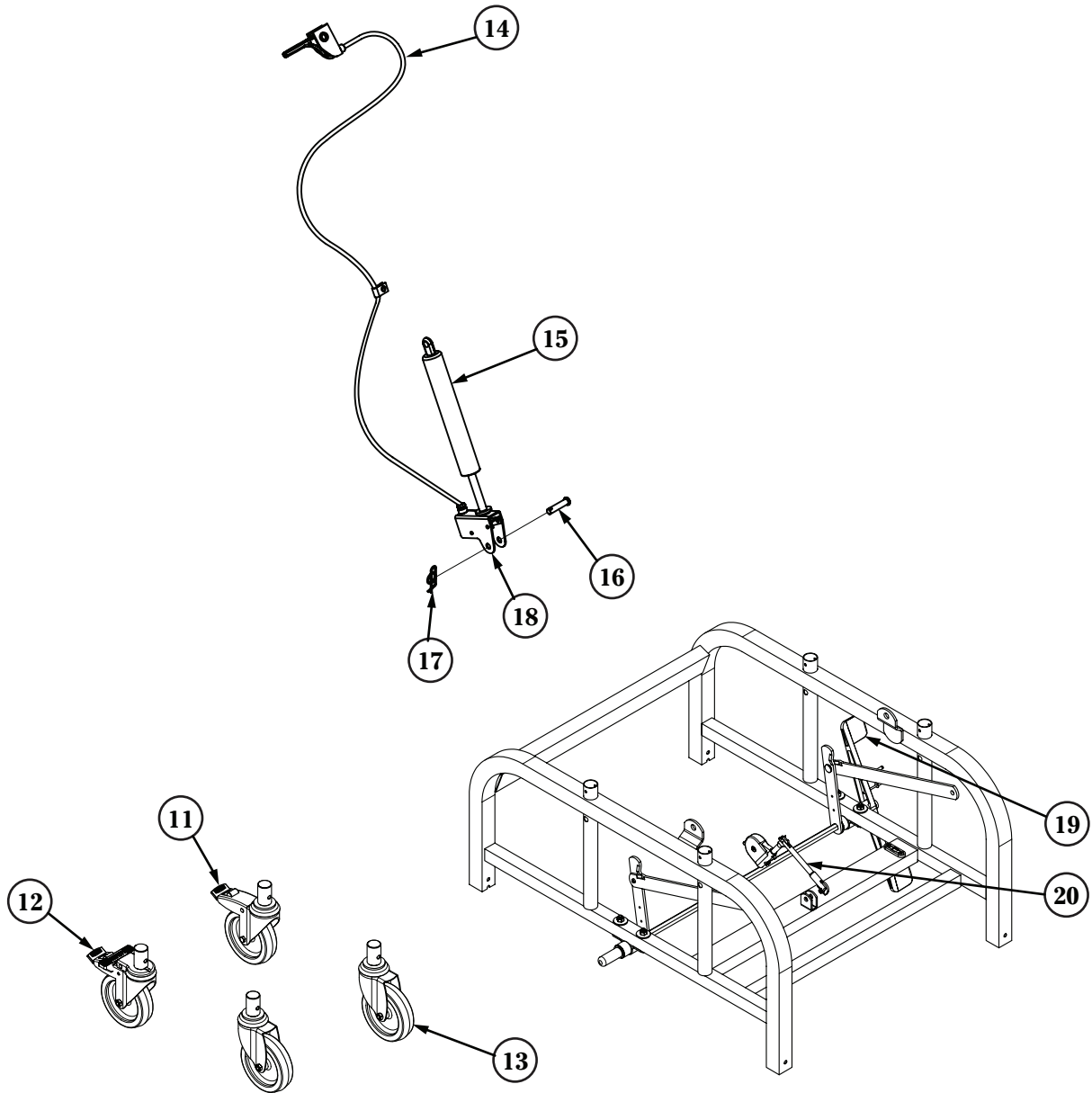
© January 2010, GF Health Products, Inc., All Rights Reserved

GF Health Products, Inc. • 2935 Northeast Parkway, Atlanta, GA 30360 • tel 800-347-5678 • fax 800-721-0602 • www.grahamfield.com



	ITEM NUMBER	DESCRIPTION	QTY/UNIT
1A	56512UXXX	Back Upholstery	1 each
1B	56512UXXXFR	Back Upholstery (CA-133 Fire Rated)	1 each
2A	56511UXXX	Seat and Legrest Upholstery	1 each
2B	56511UXXXFR	Seat and Legrest Upholstery (CA-133 Fire Rated)	1 each
3A	56575UXXX	Armrest Upholstery	1 each
3B	56575UXXXFR	Armrest Upholstery (CA-133 Fire Rated)	1 each
4	5654A825G	Left Drop Arm Assembly	1 each
5	5654A815G	Right Drop Arm Assembly	1 each
6	56548UXXXFR	Left Side Panel, Upholstered	1 each
7	56549UXXXFR	Right Side Panel, Upholstered	1 each
8	UW420000	Flex Back Webbing, 2"	1 each
9	HP327220	Clevis Pin	1 each
10	HP349160	Rue Ring Cotter Clip	1 each

565TG Recliner: Replacement Parts List



	ITEM NUMBER	DESCRIPTION	QTY/UNIT
11	WB170017	Left Rear Locking Caster	1 each
12	WB170034	Right Rear Directional Locking Caster	1 each
13	WC150006	Front Caster	1 each
14	5655A001	Cable Assembly	1 each
15	EI000000	Gas Spring	1 each
16	HP327220	Clevis Pin	1 each
17	HP349160	Rue Ring Cotter Clip	1 each
18	5770A073	Lower Bracket for Gas Spring (Zinc Plated)	1 each
19	WB190002	Foot Pedal	1 each
20	VM000003	Torque Limiter	1 each