

**565G (Regular) - 565PG (Petite) - 565WG (Wide)  
Ortho-Biotic Preferred Care<sup>®</sup> Recliners**

# Operating Instructions



---

GF0500043RevA05

© Graham-Field Health Products 2005

---

**IMPORTANT: READ THIS MANUAL BEFORE OPERATING  
YOUR ORTHO-BIOTIC PREFERRED CARE RECLINER**

---

## WARNINGS

- ⚠ **Warning: Read entire sheet before assembly or operation.**
- ⚠ **Warning: Casters must be locked at all times, except during transit.**
- ⚠ **Warning: This product should not be used without proper instruction from a health care professional.**
- ⚠ **Warning: GF/Lumex assumes no responsibility for damage or injury caused by the improper installation, assembly or use of these products.**
- ⚠ **Warning: The 565G Regular and 565PG Petite Recliners have a 250 lb. maximum user weight capacity. The 565WG has a 400 lb. maximum weight capacity.**
- Note: All dimensions and specifications are subject to change without notice.*

## CARE & MAINTENANCE

### Every three months:

- Check and clean casters • tighten nuts • check brakes on casters •
- check and clean lock recline mechanism •

**Check recliner mechanism for operation in all positions with assistant seated in recliner.**

**For upholstery maintenance and stain removal, the following hints will be helpful:**

**Ordinary Dirt:** Wash with warm water and a mild soap or detergent.

**Stubborn Dirt:** Using a soft bristle brush, follow directions above.

**Ground-in Dirt:** Scrub with powdered cleanser or similar detergent.

**Chewing Gum:** Scrape carefully; remove with kerosene or naphtha.

**Nail Polish and Remover:** Blot immediately to prevent damage.

**Ball Point Pen:** Blot immediately with a white cloth dampened in water or mineral oil.

**Paint, Shoe Polish, Heel Marks:** Remove immediately! Use a white cloth dampened in kerosene, naphtha or turpentine. Do not use paint remover or liquid brush cleaners.

**Tars, Asphalt, Creosote:** Remove to prevent staining. Clean area with kerosene or naphtha.

*Caution: When using kerosene or naphtha, do so in a well ventilated area and keep away from fire and flame.*

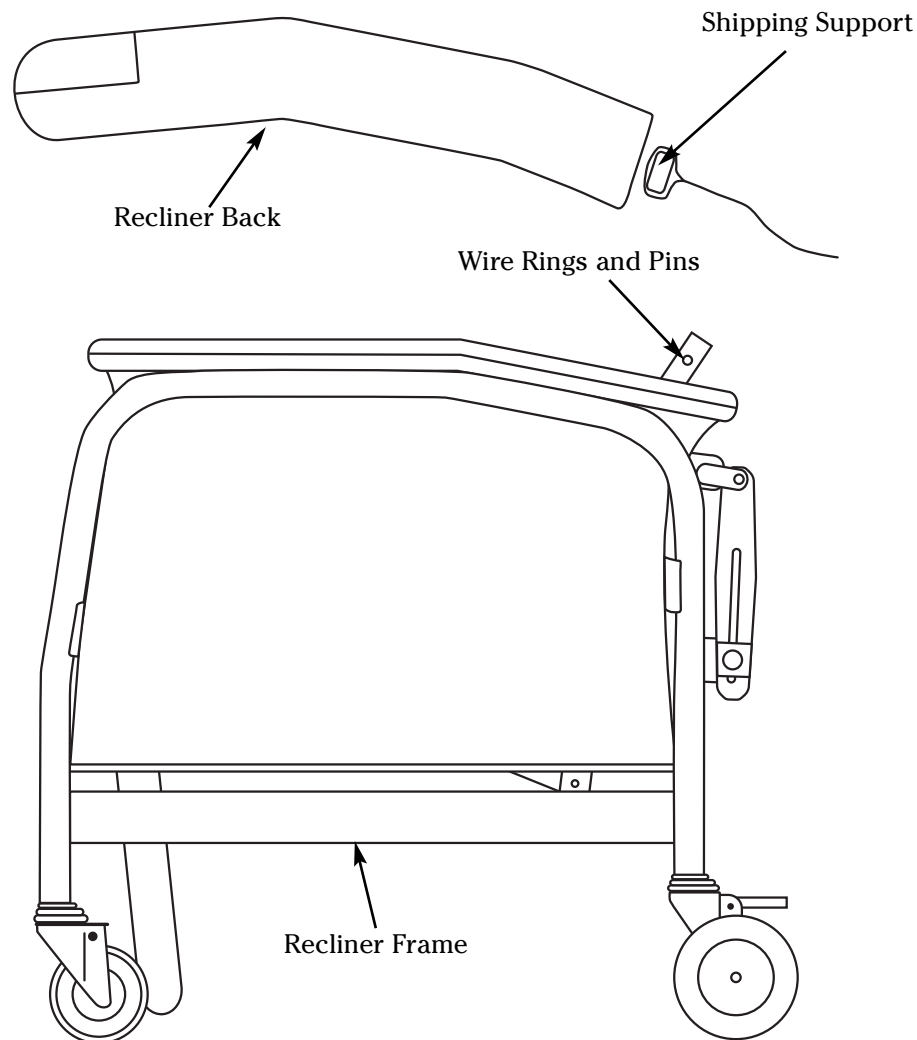
**Waxing and Refinishing:** Improves wearability. Use any quality paste wax.

**Excrement:** Remove immediately! Clean with a diluted solution of 10% (or less) of bleach or Clorox.

---

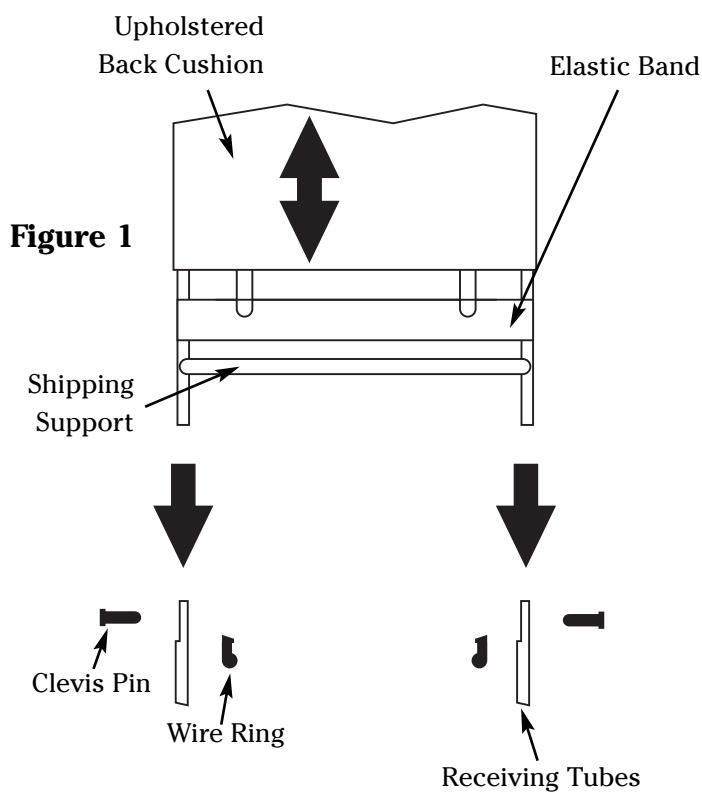
## UNPACKING INSTRUCTIONS

1. Unpack and inspect contents for shipping damage or missing parts. If parts are damaged or missing, contact your dealer immediately. The contents of this package should be:
  - One (1) Recliner frame with upholstered seat.
  - One (1) Upholstered back.
  - Two (2) Pins with wire rings.
2. Do not remove the shipping support which is attached to the recliner's upholstered back until after the recliner's upholstered back has been assembled to the chair.
3. Save this booklet in a safe place for future reference.

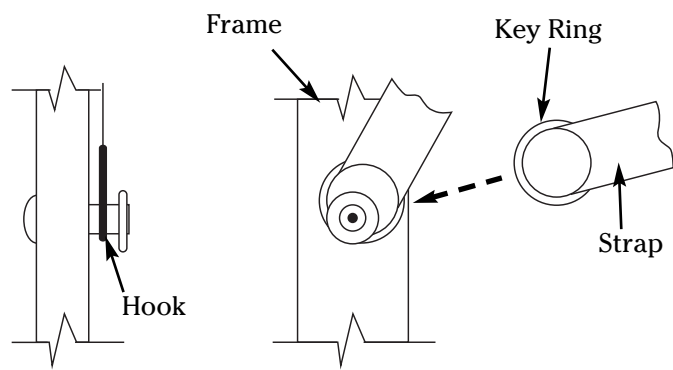


## BACK ASSEMBLY

*NOTE: Do not remove the shipping support which is attached to the recliner's upholstered back until after the recliner's upholstered back has been assembled to chair.*



1. Obtain upholstered back assembly. Remove the upholstered cushion from the metal back frame (See fig. 1).
2. Remove pins and wire rings from frame (See fig 1).
3. Slide back tubes onto receiving tubes on frame and tap down until holes in back line up with holes in frame (See fig. 1).
4. Replace pins and wire rings. Remove the shipping support and discard (See fig 1).
5. Slide the lower elastic band on back to cover pins. Position other straps evenly. The 2" elastic bands can be adjusted for custom comfort.



6. At the bottom of the cushion you will find two elastic straps with key rings on the ends (one on each side). Replace back cushion over metal frame. Attach each ring to the hook on the frame next to the seat rings (See fig 2 & 3).

**Figure 2**



**Figure 3**

## CASTER OPERATION FOR 565WG ONLY

*NOTE: This chair is equipped with four swivel casters for improved maneuverability. The rear casters are also equipped with locking features.*

**Lock:** To prevent the rear casters from swiveling and wheel turning, step on the rear pedal of the caster until it latches (See fig 4).

**Unlock:** Step on middle button to unlatch (See fig. 4).

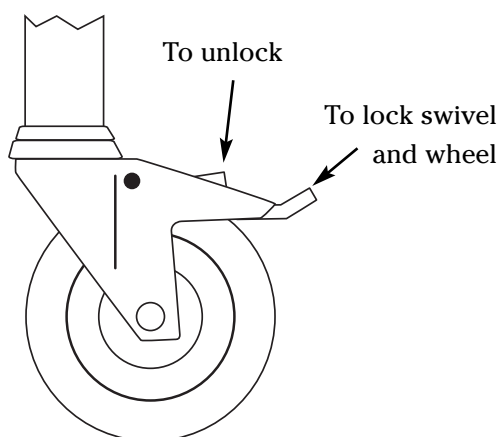
## SWIVEL LOCK PEDAL OPERATION 565WG ONLY

*NOTE: The swivel lock feature will aid the chair in rolling straight.*

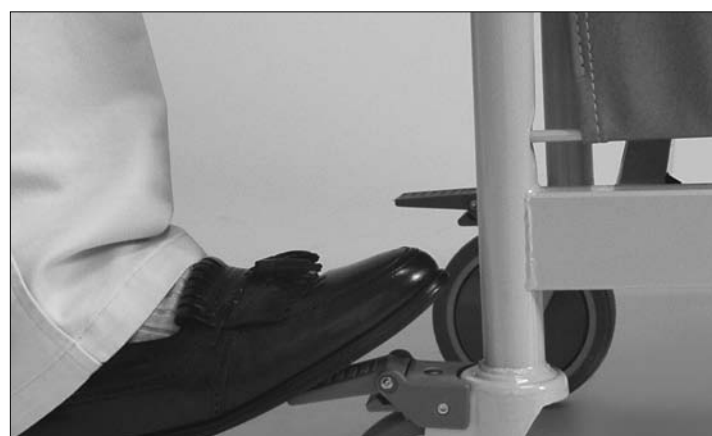
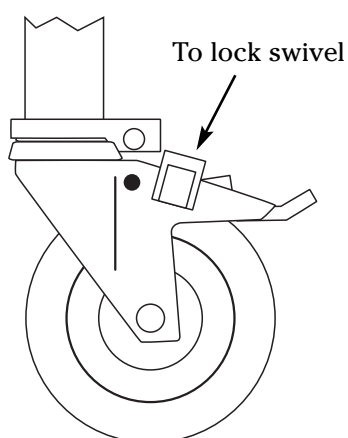
**Lock:** To engage, push down on black swivel lock pedal and roll the recliner forward (See fig. 5).

**Unlock:** Lift on the side of the pedal.

**Figure 4**



**Figure 5**



**Figure 6**

## CASTER OPERATION FOR 565G, 565PG

**Lock:** Step on the back edge of the black pedal until it latches and stays down (See fig. 6).

**Unlock:** Step on the top edge of the pedal.

## CORRECT SEAT POSITIONING

### OCCUPANT OPERATED

To recline, place hands on armrests and lean against the back until the desired position is obtained (See fig. 7).

To return to seated position, place hands on armrests and lean forward while pressing legs down against the legrest.

### ATTENDANT OPERATED

Release the recliners position stop.

Use handgrip to adjust recliner to desired position.

Engage recliner stop.



Figure 7

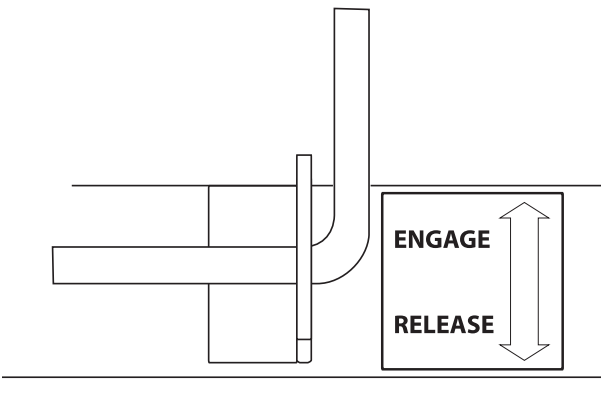


Figure 8

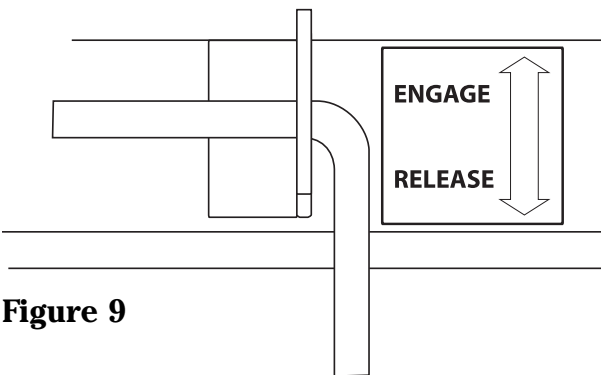


Figure 9

### OPERATION OF THE POSITION MECHANISM

*NOTE: Casters must be locked.*

1. To hold recliner in any position, rotate handle to point up (See fig. 8).
2. To release position mechanism, turn the handle to point down (See fig. 9).

*NOTE: The position mechanism is factory set. If the position mechanism does not hold, follow Adjustment instructions for the position mechanism. The plate has 5 position marks for repeatable positions (See fig. 13).*

---

## 565G UPHOLSTERY REMOVAL AND REPLACEMENT

### BACK CUSHION

**To remove:** Release the two elastic straps which hold the button of the cushion to the back frame with small wire rings (See fig. 10).

Grip top of cushion near back frame handgrips and slide up and off.

**To replace:** Reverse procedure.

### SEAT-LEG CUSHION

**To remove:** Release the two elastic straps which hold the cushion to the back frame with small wire rings (See fig. 10).

Adjust the chair into the semi-recline position.

Flip the seat cushion forward and release the two hooks which hold the cushion to legrest frame.

Slide the cushion downward and forward.

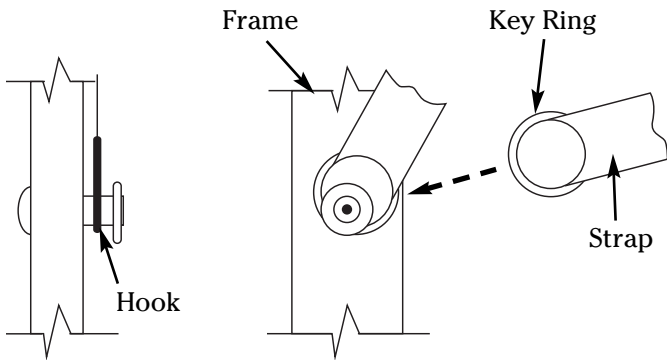
**To replace:** Reverse procedure.

### ARM PANELS

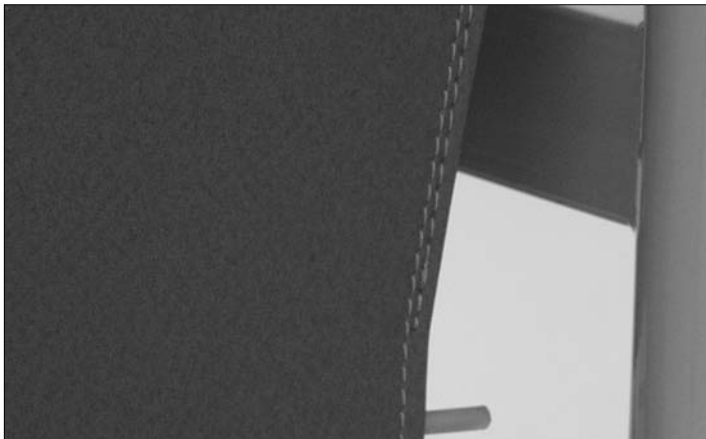
**To remove:** Grip the steel rod at the bottom of the side panel, located near the front of the side frame. Gently slide the rod backward. Flex the rod slightly until it disengages (See fig. 12).

Detach the four screws from under the side frame arm plate.

**To replace:** Reverse procedure.



**Figure 10**



**Figure 12**

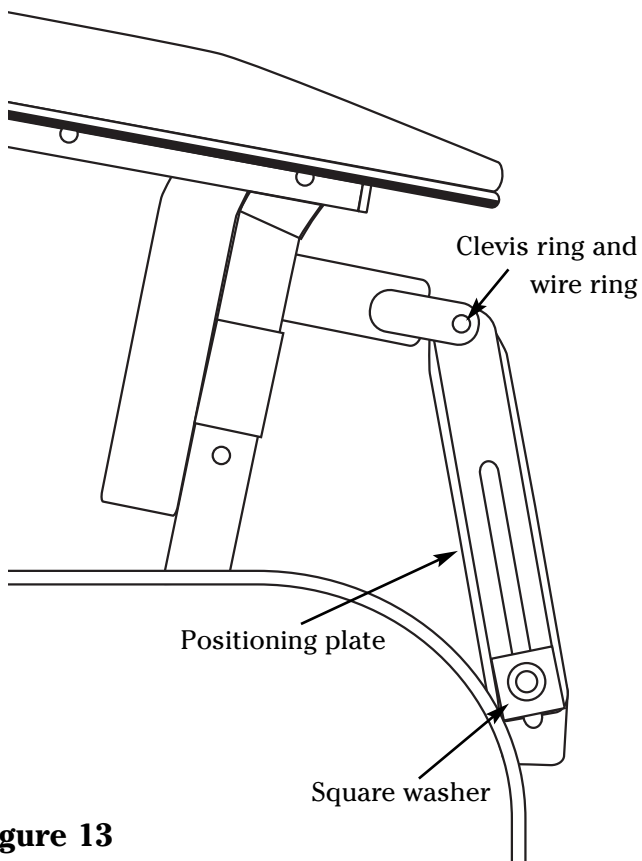
---

## RECLINER POSITIONING MECHANISM TROUBLE-SHOOTING

### ADJUSTMENT INSTRUCTIONS FOR POSITION MECHANISM

*NOTE: Never lubricate the position  
mechanism assembly.*

1. Turn the position adjustment handle down to the release position, and remove clevis pin and wire ring from top of assembly (See fig. 13).
2. Slide positioning plate up, and turn square washer clockwise until snug (See fig. 13).
3. Slide the positioning plate down over square washer. Replace clevis pin and wire ring.
4. The position mechanism's handle should engage at about the halfway point. If more tension is desired, repeat the above procedure.



**Figure 13**



**FOR YOUR CONVENIENCE, LUMEX OFFERS THE FOLLOWING ACCESSORIES  
WHICH MAY BE PURCHASED FROM YOUR LOCAL LUMEX DEALER.**

<b>Part #</b>	<b>Description</b>	<b>565 Reg</b>	<b>565-Petite</b>	<b>565-Wide</b>	<b>565-Drop</b>	<b>565-Tilt</b>
<b>56461*</b>	Head Bolster	X	X	-	X	X
<b>56462*</b>	Head Bolster	-	-	X	-	-
<b>56471*</b>	Body Bolster	X	X	-	X	X
<b>5645G*</b>	Drainage Bag Holder	X	X	X	-	-
<b>5782G</b>	I.V. Pole Holder	X	X	X	X	X
<b>2100A/2101A</b>	I.V. Pole	X	X	X	X	X
<b>LX5640G</b>	Footplate Set	X	X	X	X	X
<b>5657G*</b>	Footdrop Device	X	X	X	X	X
<b>5644G</b>	Activity Tray Table	X	-	-	X	X
<b>5644PG</b>	Activity Tray Table	-	X	-	-	-
<b>5644WG</b>	Activity Tray Table	-	-	X	-	-
<b>Items with (*) add color code to part #. 427 = Blue Ridge, 857 = Jade, 863 = Rosewood</b>						

**U.S.A., Corporate Headquarters:**

**Graham-Field Health Products**  
2935 Northeast Parkway  
Atlanta, Georgia 30360  
telephone: 800-347-5678, 770-447-1609  
fax: 800-726-0601, 678-291-3232



<http://www.grahamfield.com>