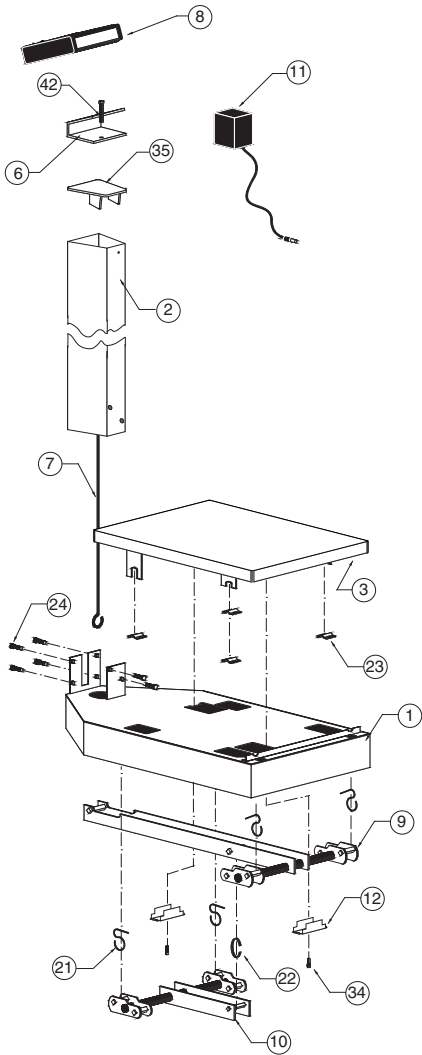


**MODELS 6475, 6475K AND 6475KGEU  
REPLACEMENT PART IDENTIFICATION**



Item	Part No.	Description	Req'd
1	3P5001X	Base Weldment	1
2	430XGR804	Column Weldment	1
3	3P4011X	Platform Weldment	1
6	0033-B164-08	Bracket-758CSV	1
	0033-B438-0A	Bracket-750	1
7	0033B255-08	Draft Rod	1
8	758CSV	Indicator	1
	750	Indicator	1
9	3P8002X	Long Lever Assy	1
10	3P8003X	Short Lever Assy	1
11	6800-1045	Optional Power Supply	1
		100-240 VAC / 12 VDC @ 1A	
12	3P60	Check Plate	2
21	3P8059	Union Hanger	4
22	2U58	Union Center Hanger	1
23*	3P2087	Platform Bearing	4
24	6021-1102	1/4-20 x 1/2" Truss Head Screw	6
25*	6024-1027	1/4 Ext Tooth Lock Washer	6
26*	63K1038	Base Leg	4
34	6021-1629	#10 x 1/2 Hex Hd Sht Metal Screw	2
35	0033-B104-0A	Top Plate	1
40*	6024-0033	#10 Helical Split Lock Washer	2
42	6021-1454	1/4-20 x 3/4 Hex Head Screw	1
45*	0033-B110-08	UHMW Disk	1
46*	709G2R1206	Load Cell Assy	1
47*	391RV204	1/4-20 Elastic Stop Nut	1
48*	6024-0004	Washer Flat 1/4	1
49*	0033-B122-0A	Stop Plate Assy	1

\*Not Shown