



**Waist-High
Stand-On Scale
Models 6855, 6855KGEU
6856 & 6856KGEU
Operating Instructions**



1930-M458-O1 Rev D
02/13

CARDINAL SCALE MFG. CO.
PO BOX 151 • WEBB CITY, MO 64870
PH (417) 673-4631 • FAX (417) 673-5001
www.detectoscale.com

Printed in USA

Technical Support: Ph: 866-254-8261 • techsupport@cardet.com

FCC COMPLIANCE STATEMENT

This equipment generates uses and can radiate radio frequency and if not installed and used in accordance with the instruction manual, may cause interference to radio communications. It has been tested and found to comply with the limits for a Class A computing device pursuant to Subpart J of Part 15 of FCC rules, which are designed to provide reasonable protection against such interference when operated in a commercial environment. Operation of this equipment in a residential area may cause interference in which case the user will be responsible to take whatever measures necessary to correct the interference.

You may find the booklet "How to Identify and Resolve Radio TV Interference Problems" prepared by the Federal Communications Commission helpful. It is available from the U.S. Government Printing Office, Washington, D.C. 20402. Stock No. 001-000-00315-4.

PROPER DISPOSAL

When this device reaches the end of its useful life, it must be properly disposed of. It must not be disposed of as unsorted municipal waste. Within the European Union, this device should be returned to the distributor from where it was purchased for proper disposal. This is in accordance with EU Directive 2002/96/EC. Within North America, the device should be disposed of in accordance with the local laws regarding the disposal of waste electrical and electronic equipment.

It is everyone's responsibility to help maintain the environment and to reduce the effects of hazardous substances contained in electrical and electronic equipment on human health. Please do your part by making certain that this device is properly disposed of. The symbol shown to the right indicates that this device must not be disposed of in unsorted municipal waste programs.




COPYRIGHT

All rights reserved. Reproduction or use, without expressed written permission, of editorial or pictorial content, in any manner, is prohibited. No patent liability is assumed with respect to the use of the information contained herein.

DISCLAIMER

While every precaution has been taken in the preparation of this manual, the Seller assumes no responsibility for errors or omissions. Neither is any liability assumed for damages resulting from use of the information contained herein. All instructions and diagrams have been checked for accuracy and ease of application; however, success and safety in working with tools depend to a great extent upon the individual accuracy, skill and caution. For this reason the Seller is not able to guarantee the result of any procedure contained herein. Nor can they assume responsibility for any damage to property or injury to persons occasioned from the procedures. Persons engaging the procedures do so entirely at their own risk.

| |
|--|
| Serial Number _____ |
| Date of Purchase _____ |
| Purchased Form _____ |
| _____ |
| _____ |
| RETAIN THIS INFORMATION FOR FUTURE USE |

| |
|---|
| <h3>PRECAUTIONS</h3> <p>Before using this instrument, read this manual and pay special attention to all "NOTIFICATION" symbols:</p> <div style="display: flex; align-items: center;">IMPORTANT</div> |
|---|

WAIST-HIGH STAND-ON SCALE

Thank you for purchasing our model 6855 / 6855KGEU or 6856 / 6856KGEU Waist-High Stand-On Scale. It has been manufactured with quality and reliability at our factory in Webb City, MO USA. Your scale has been tested before leaving our factory to insure accuracy and dependability for years to come.

This manual is provided to guide you through the operation of your scale. Please read it thoroughly before attempting to operate your scale and keep it handy for future reference.

SPECIFICATIONS

| | 6855 | 6855KGEU | 6856 | 6856KGEU |
|------------------|---|----------------|--|----------------|
| Capacity: | 600 lb x .2 lb or 270 kg x .1 kg (selectable) | 270 kg x .1 kg | 1000 lb x .2 lb or 360 kg x .1 kg (selectable) | 360 kg x .1 kg |
| Platform Size: | 18" x 14" / 46 cm x 36 cm | | 24" x 24" / 61 cm x 61 cm | |
| Shipping Weight: | 70 lb / 32 kg | | 85 lb / 39 kg | |
| Scale Height: | 41.69" / 106 cm | | | |
| Display: | 0.7" / 17.8 mm high-contrast LCD | | | |
| Power: | 6 "AA" size Alkaline, Ni-Cad or NiMH batteries (<i>not included</i>) OR an optional 100 to 240 VAC 50/60Hz 12 VDC 1A wall plug-in UL/CSA listed AC power supply (Cardinal part number 6800-1045). | | | |
| Keys: | On/Off, Zero, Units, Lock/Release, BMI/Enter and 4 directional arrows | | | |
| Features: | Body Mass Index Calculator | | | |



6855 / 6855KGEU



6856 / 6856KGEU

UNPACKING INSTRUCTIONS

- Remove staples or cut along bottom of carton. Lift carton off pallet.
- Check for any damage incurred in shipping. If scale has been damaged, place a claim with the carrier. *It is the responsibility of the purchaser to file all claims for any damages or loss incurred during transit.* Use the original carton and shipping material to return the scale.
- Cut packing straps securing scale to pallet.
- To remove scale from pallet, at the back of the scale lift up with equal force from the column and at the platform base near the wheels on the scale. Set gently on floor.
- Remove all plastic wrapping, foam fillers and cardboard material from the scale.
- Remove and unpack the power supply and cord, if the scale was ordered with this option.
- Attach indicator to indicator bracket on column, then connect load cell cable to back of indicator. Refer to the 750 Weight Indicator Owner's Manual (8555-M483-O1) for additional information.

ERROR AND STATUS DISPLAYS

| Display | Meaning |
|---------|---|
| -Err- | General error, invalid keypad entry was attempted. |
| -OF- | Attempting to display a negative number greater than -9,999 or a positive number greater than 99,999 |
| -tRL- | Indicates an attempt to zero a weight outside scale zero range. (See Four Percent Zero Tracking Range Limit). |
| -UnS- | Motion is present when indicator is attempting to perform one of the following operations: Power Up Zero or Zero Weight Display |
| CALib | Indicates calibration is necessary. |
| AdErr | } Consult your scale service representative. |
| ErrAL | |
| ErrRH | |
| OCAP | Scale weight exceeds scale capacity |
| OFF | Displayed to indicate indicator is turning off. |

CARE AND CLEANING OF SCALE

- **DO NOT** subject the platform to sudden shocks.
- **DO NOT** submerge indicator in water, pour or spray water directly on indicator.
- **DO NOT** use acetone, thinner or other volatile solvents for cleaning.
- **DO NOT** expose scale to temperature extremes.
- **DO NOT** place scale in front of heating/cooling vents.
- **DO NOT** place scale in an area where it might be exposed to moisture.
- **DO** clean the indicator with a damp soft cloth and mild non-abrasive detergent.
- **DO** remove power before cleaning with a damp cloth.
- **DO** provide clean AC power and adequate protection against lightning damage.
- **DO** keep the surroundings clear to provide clean and adequate air circulation.

OPERATION



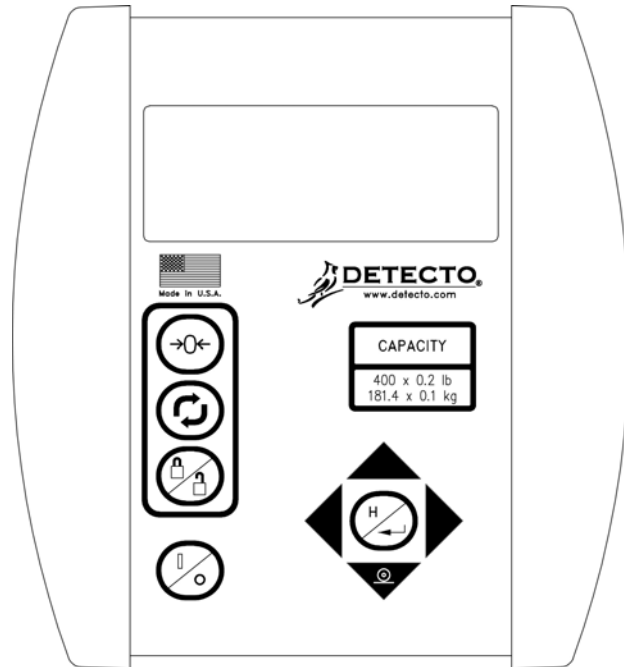
DO NOT operate the keypad with pointed objects (pencils, pens, etc).
Damage to keypad resulting from this practice is **NOT** covered under warranty.

To Weigh

1. Set scale on any hard, level, flat surface or low-cut carpet.
2. Press **ON / OFF** key to turn on indicator.
3. Press **ZERO** key to zero weight display. The ZERO and lb or kg annunciator will turn on to show that scale is ready for use.
4. Place patient on scale and read weight display.
5. Remove patient from scale.

Zero Weight Display

1. If the indicator is not showing zero weight on the display, press **ZERO** key.
2. Weight display will return to zero. ZERO, STABLE $\blacktriangle\blacktriangleleft$ and lb or kg annunciators will turn on to show a stable, center-of-zero weight condition.



750 Keypad

Metric Conversion

Press **UNITS** key to toggle between pounds and kilograms. Note that lb or kg annunciator will turn on to show which weighing unit is active.

To Weigh and Calculate BMI

1. Press **ON / OFF** key to turn on indicator.
2. Press **ZERO** key to zero weight display. The ZERO and lb or kg annunciator will turn on to show that scale is ready for use.
3. Place patient on scale and read weight display.
4. Press **BMI / ENTER** key.
5. If pounds is the active weighing unit, display will change to show 5 FEET, 6 INCHES with the 6 blinking. *(The blinking character is the position to be changed).*
 - a. Press \blacktriangle or \blacktriangledown keys until desired height in inches is displayed and then press \blacktriangleleft or \blacktriangleright key to move the blinking character to FEET.
 - b. Press \blacktriangle or \blacktriangledown keys until desired height in feet is displayed.
 - c. Proceed to Step 7.
6. If kilograms is the active weighing unit, display will change to show 170 cm. with the 0 of 170 blinking. *(The blinking character is the position to be changed)...*
 - a. Press \blacktriangle or \blacktriangledown keys until the desired number is displayed.
 - b. Press \blacktriangleleft or \blacktriangleright key to move to next character to change.
 - c. Repeat steps A and B until the desired height in centimeters is displayed.
 - d. Proceed to Step 7.
7. Press **BMI / ENTER** key.
8. Read BMI on display.
9. Remove patient from scale.
10. Press **BMI / ENTER** key to return to weighing operation.

HEIGHT ROD INSTRUCTIONS

Height Rod Hole Location

- Please check Height Rod hole locations before installing Height Rod.
- **Some models may require holes to be drilled.**
- Please follow the measurements for drilling holes if necessary.
- After holes have been drilled, please follow installation instructions.
- Install the two (2) #10 x 1/2" hex head screws from the hardware pack into the column.

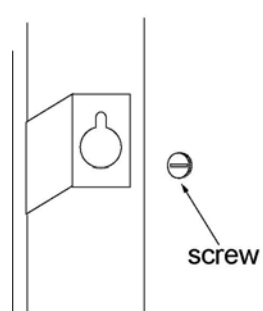
IMPORTANT! Measure from top of scale base.



Height Rod Installation

1. Remove Height Rod from shipping container. Inspect the unit for signs of damage. Contact our Customer Service Department if necessary.
2. Loosen screws located on front of scale column. Place height rod brackets over screws and pull down; securing brackets. Tighten screws as needed.

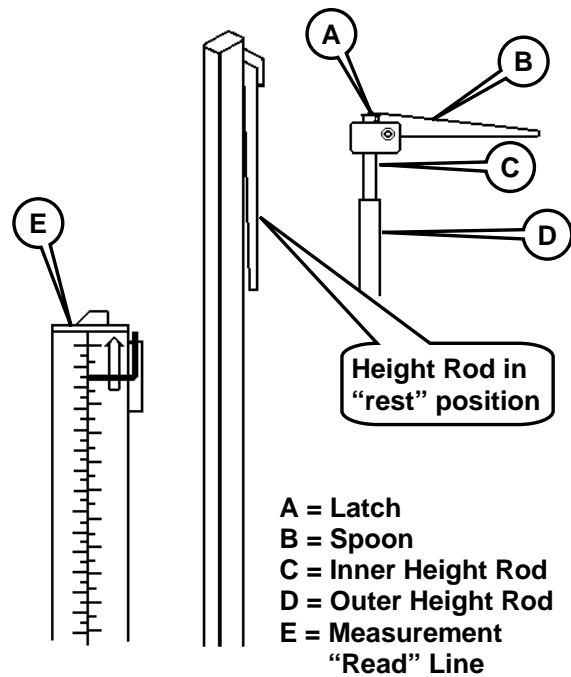
NOTE: The Indicator must be facing away from the scale platform to install the height rod.



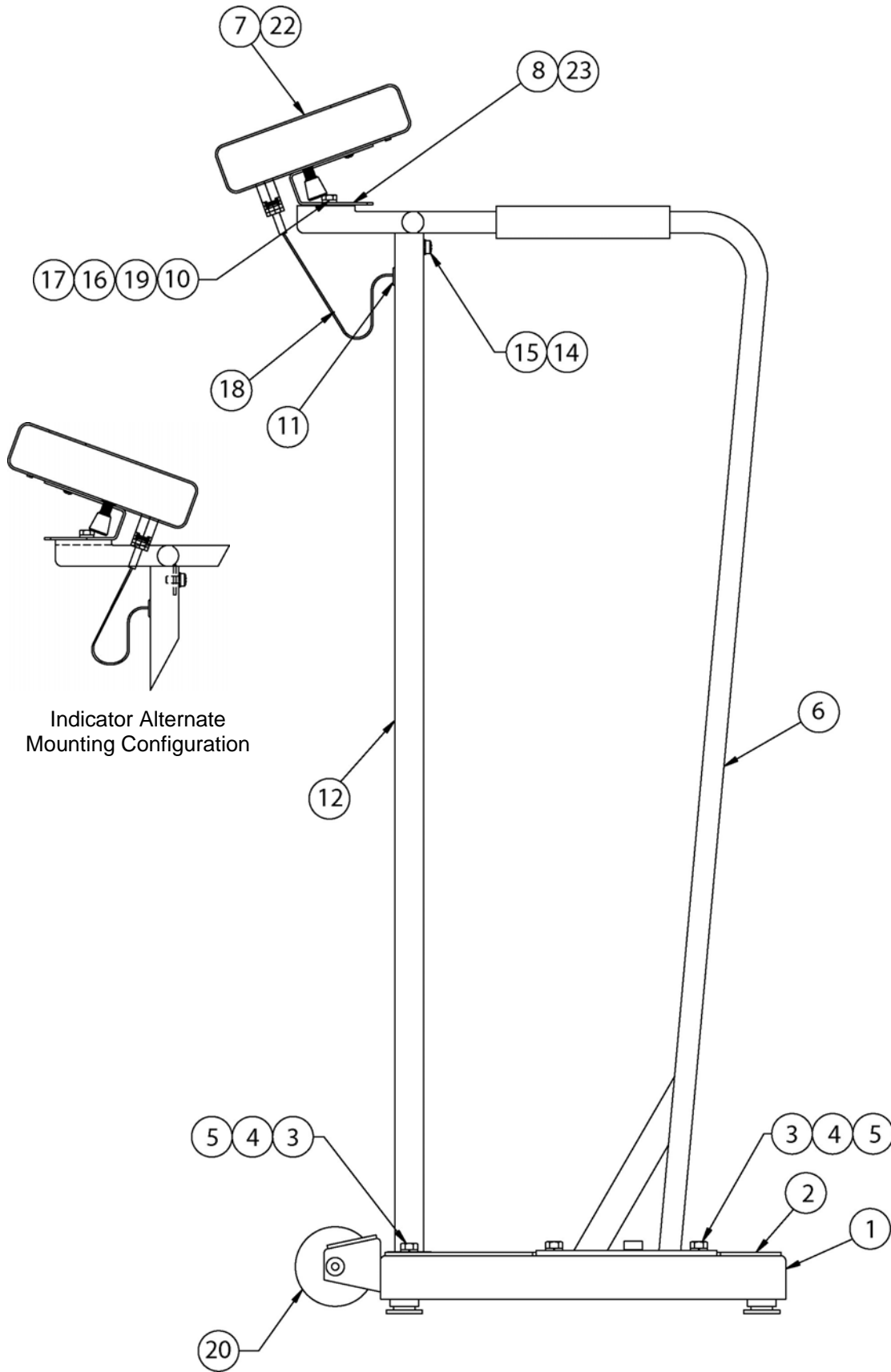
HEIGHT ROD INSTRUCTIONS, CONT.

Height Rod Operating Guide

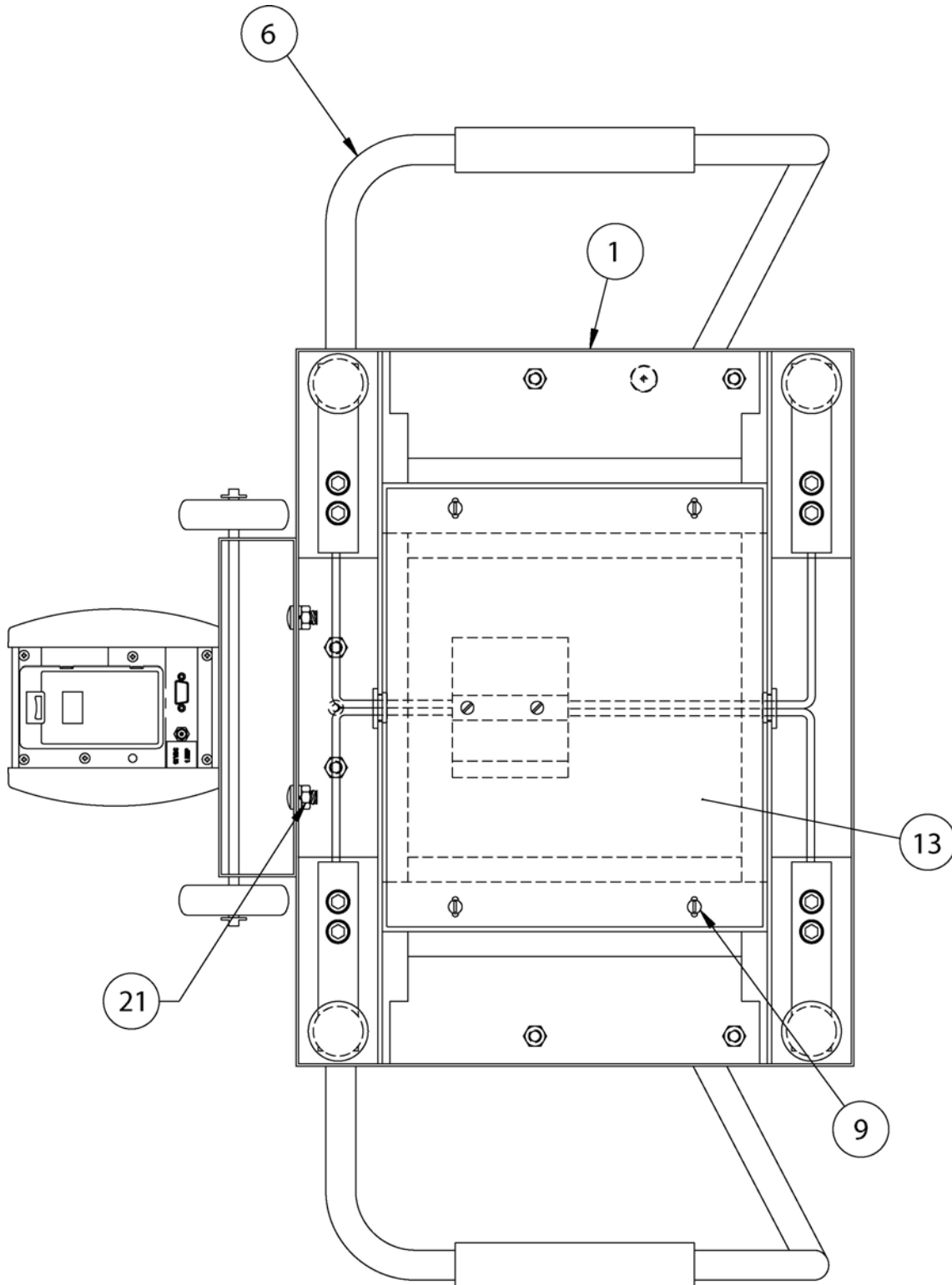
1. Before patient steps onto scale platform, spoon (B) should be rotated to horizontal position, and raised well above patient's apparent height.
2. Patient may now step onto scale platform. Spoon (B) should be held horizontal and above patient's head.
3. Carefully lower spoon (B), keeping it horizontal, until it rests gently on top of patient's head. If patient is shorter than 3' 4" (101.5 cm), push latch (A) to right while simultaneously pushing down on spoon (B), until the spoon (B) rests horizontally on top of patient's head.
4. Read height of patient as follows:
 - If back of spoon points to outer height rod, then it points to correct height.
 - If back of spoon points to inner height rod, then correct height is read at top of outer height rod (see "Read" arrow on outer height rod).
5. While holding spoon (B) horizontally, raise spoon (B) above patient's head. Patient may now step off scale platform. Hold spoon (B) horizontal until patient is clear of height rod.
6. Rotate spoon (B) back to vertical position and adjust height rod back to rest position (i.e. spoon (B) should be locked in place within inner height rod (C) and inner rod should be at its lowest position).



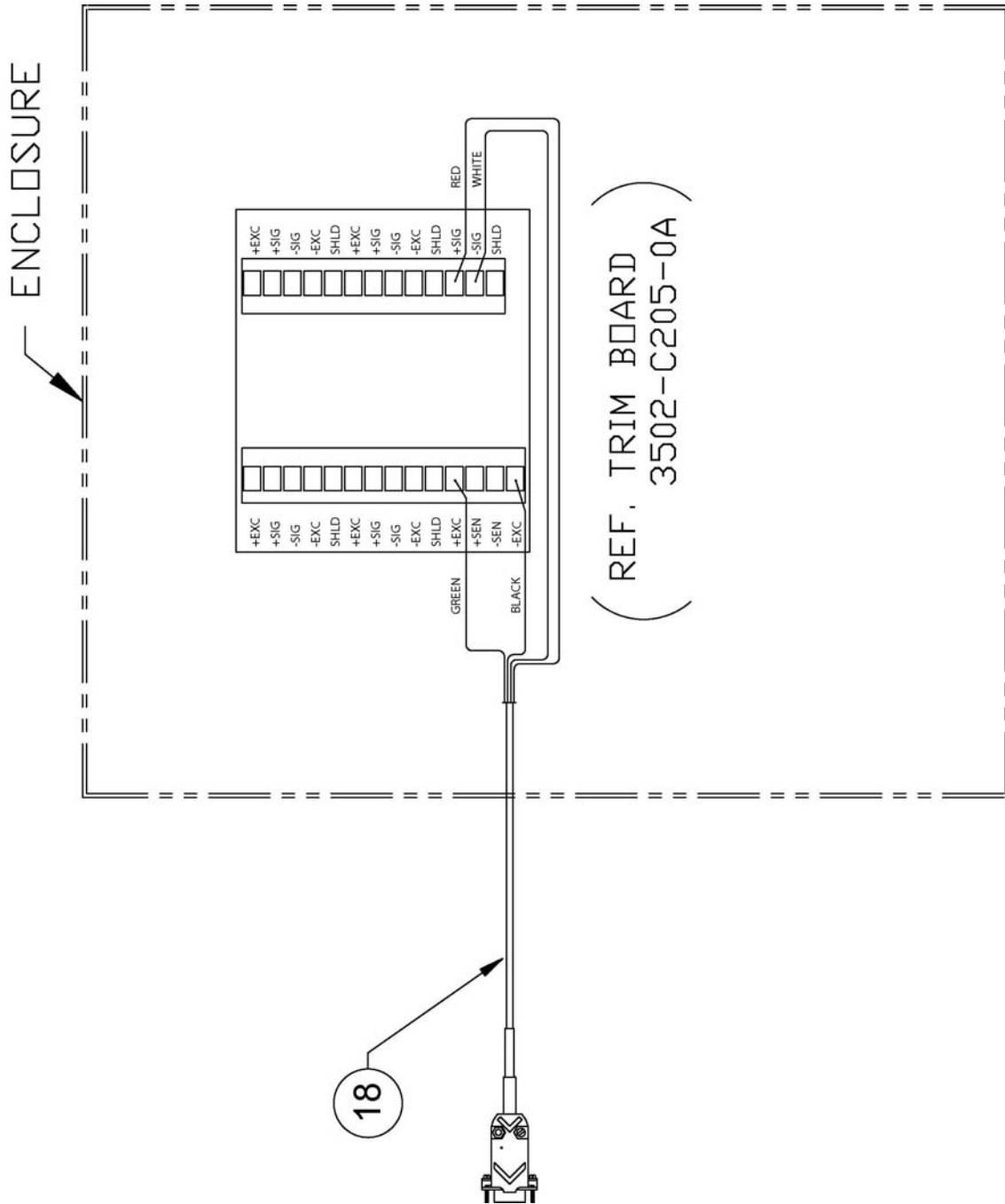
PART IDENTIFICATION



PART IDENTIFICATION, CONT.



PART IDENTIFICATION, CONT.



PART IDENTIFICATION, CONT.

| ITEM NO. | QTY 6855 | QTY 6856 | PART NUMBER | DESCRIPTION |
|----------|----------|----------|--------------|--|
| 1 | 1 | - | 1930-D330-0A | WEIGHBRIDGE ASSY |
| | - | 1 | 1930-D445-0A | WEIGHBRIDGE ASSY (6856) |
| 2 | 1 | - | 1930-C338-08 | MAT W/ADHESIVE |
| | - | 1 | 1930-C452-08 | MAT W/ADHESIVE (6856) |
| 3 | 6 | 6 | 6007-0034 | HEX HEAD SCREW 5/16-18 UNC-2A X 3/4" |
| 4 | 6 | 6 | 6024-0050 | LOCK WASHER 5/16" |
| 5 | 6 | 6 | 6013-0275 | HEX NUT 5/16-18 UNC-2B |
| 6 | 1 | - | 1930-C143-0A | HANDRAIL ASSEMBLY |
| | - | 1 | 1930-C450-0A | HANDRAIL ASSEMBLY (6856) |
| 7 | 1 | 1 | 750 | DIGITAL INDICATOR |
| 8 | 1 | 1 | 0033-B438-0A | MTG BRKT ASSY - 750 |
| 9 | 4 | 4 | 6021-0665 | MACHINE SCREW #6-32 X .375 PAN HD PHILLIP DR |
| 10 | 1 | 1 | 391RV204 | ELASTIC STOP NUT |
| 11 | 1 | 1 | 6680-1043 | GROMMET |
| 12 | 1 | 1 | 1930-B336-1A | COLUMN ASSEMBLY |
| 13 | 1 | - | 1930-C337-08 | COVER |
| | - | 1 | 1930-C451-08 | COVER (6856) |
| 14 | 1 | 1 | 6024-0047 | EXT STAR WASHER 1/4" |
| 15 | 1 | 1 | 6021-1423 | TRUSS HEAD SCREW 1/4-20 UNC-2A X 1/2" |
| 16 | 1 | 1 | 0033-B110-08 | UHMW DISK |
| 17 | 1 | 1 | 6024-0004 | FLAT WASHER 1/4" DIA SS |
| 18 | 1 | 1 | 1930-B428-0A | CABLE |
| 19 | 1 | 1 | 6021-1454 | HEX HEAD BOLT 1/4-20 UNC-2A X 3/4" |
| 20 | 1 | 1 | 0033-C090-0A | WHEEL ASSY. |
| 21 | 2 | 2 | 6013-0045 | HEX NUT 1/4-20 UNC |
| 22 | - | - | 758CSV | DIGITAL INDICATOR (KGEU Model Only) |
| 23 | - | - | 0033-B164-08 | MOUNTING BRACKET (KGEU Model Only) |
| | 1 | 1 | 3502-C205-0A | TRIM BOARD |

STATEMENT OF LIMITED WARRANTY

Detecto Scale warrants its equipment to be free from defects in material and workmanship as follows: Detecto warrants to the original purchaser only that it will repair or replace any part of equipment which is defective in material or workmanship for a period of one **(1) year** from date of shipment. Detecto shall be the sole judge of what constitutes a defect.

During the **first ninety (90) days** Detecto may choose to supply all necessary replacement parts and service during normal weekday working hours at no charge to the buyer.

After the first ninety (90) days Detecto will supply parts and service at the job site provided the owner agrees to pay the Dealer for all travel time, including mileage and test equipment, as well as any expenses incurred over the direct labor of the technician at the job site. This limited warranty honors only labor performed by Detecto authorized dealers.

This warranty does not apply to peripheral equipment not manufactured by Detecto; this equipment will be covered by certain manufacturer's warranty only.

This warranty does not include replacement of expendable or consumable parts. This does not apply to any item which has deteriorated or damaged due to wear, accident, misuse, abuse, improper line voltage, overloading, theft, lightning, fire, water or acts of God, or due to extended storage or exposure while in purchaser's possession. This warranty does not apply to maintenance service. Purchased parts will have a ninety (90) day repair or replacement warranty only.

Detecto may require components be returned to the factory; they must be properly packed and shipping charges prepaid. A return authorization number must be obtained for all returns and marked on the outside of all returned packages. Detecto accepts no responsibility for loss or damage in transit.

STATEMENT OF LIMITED WARRANTY

Conditions Which Void Limited Warranty

This warranty shall not apply to equipment which:

- A.) Has been tampered with, defaced, mishandled or have had repairs and modifications not authorized by Detecto.
- B.) Has had serial number altered, defaced, or removed.
- C.) Has not been grounded according to Detecto's recommended procedure.

Freight Carrier Damage

Claims for equipment damaged in transit must be referred to the freight carrier in accordance with freight carrier regulations.

This warranty sets forth the extent of our liability for breach of any warranty or deficiency in connection with the sale or use of the product. Detecto will not be liable for consequential damages of any nature, including but not limited to, loss of profit, delays or expenses, whether based on tort or contract. Detecto reserves the right to incorporate improvements in material and design without notice and is not obligated to incorporate improvements in equipment previously manufactured.

The foregoing is in lieu of all other warranties, express or implied including any warranty that extends beyond the description of the product including any warranty of merchantability or fitness for a particular purpose. This warranty covers only those Detecto products installed in the forty-eight (48) contiguous continental United States.



Ph. (800) 641-2008
E-mail: detecto@cardet.com
203 E. Daugherty
Webb City, MO 64870

02/06
Printed in USA
D268-WARRANTY-DET

