



565WG

TO ORDER: Tel 800-347-5678 • Fax 800-726-0601 • www.grahamfield.com

Returns: Parts may not be returned without prior authorization from GF Health Products, Inc. Custom parts cannot be returned for credit. Please refer to GF Health Products, Inc. Terms and Conditions for further information.

GF Health Products, Inc. is not responsible for typographical errors. Packaging, warranties, products and specifications are subject to change without notice. Lumex® and Graham-Field® are registered trademarks of GF Health Products, Inc.

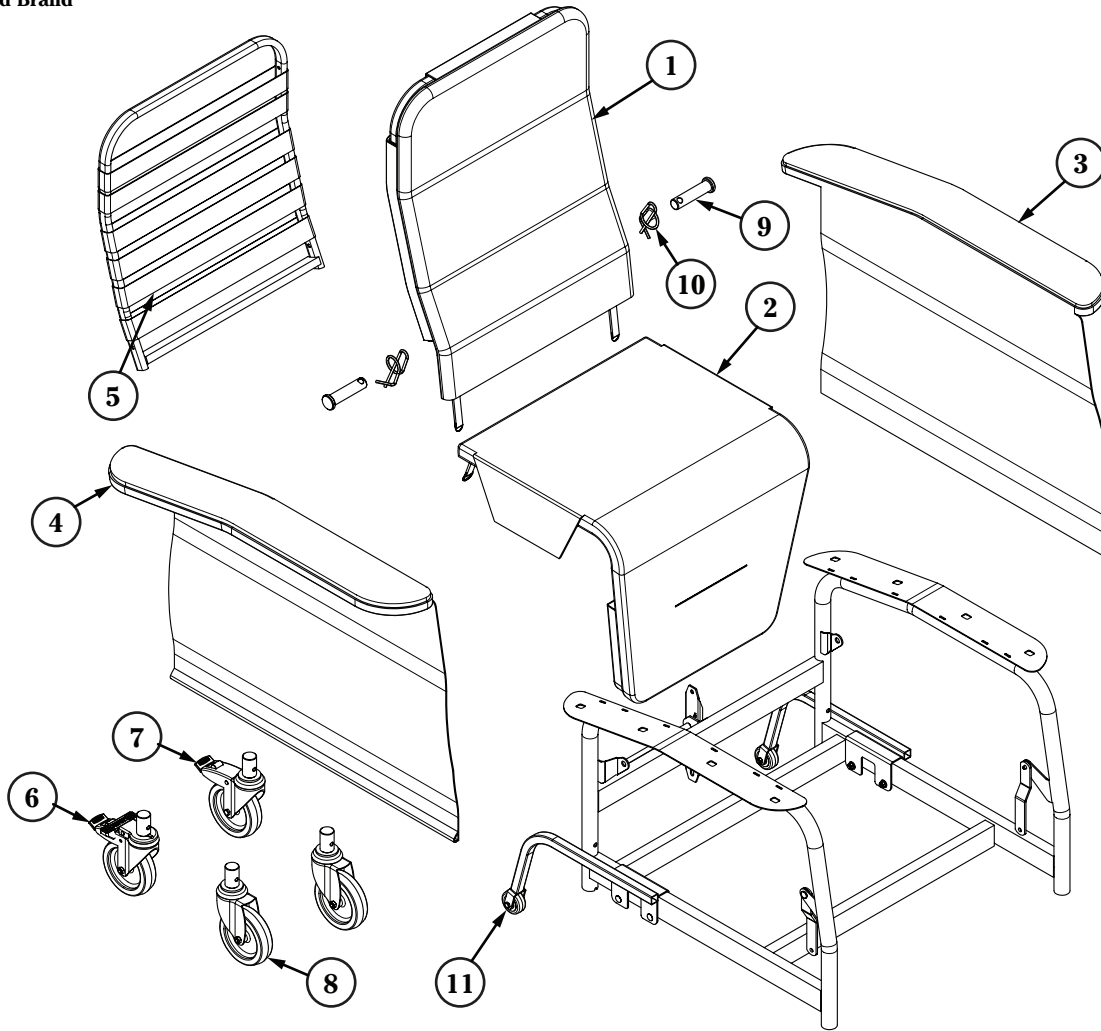


GRAHAM-FIELD.

© June 2009, GF Health Products, Inc., All Rights Reserved

GF Health Products, Inc. • 2935 Northeast Parkway, Atlanta, GA 30360 • tel 800-347-5678 • fax 800-721-0602 • www.grahamfield.com

565WG Recliner: Replacement Parts List



	ITEM NUMBER	DESCRIPTION	QTY/UNIT
1A	56532UXXX	Back Upholstery	1 each
1B	56532UXXXFR	Back Upholstery (CA-133 Fire Rated)	1 each
2A	56531UXXX	Seat and Legrest Upholstery	1 each
2B	56531UXXXFR	Seat and Legrest Upholstery (CA-133 Fire Rated)	1 each
3A	56558UXXX	Armrest/Sidepanel Upholstery, Left	1 each
3B	56558UXXXFR	Armrest/Sidepanel Upholstery, Left (CA-133 Fire Rated)	1 each
4A	56559UXXX	Armrest Upholstery, Right	1 each
4B	56559UXXXFR	Armrest Upholstery, Right (CA-133 Fire Rated)	1 each
5	UW565WG03	Flex Back Webbing, 2"	1 each
6	WB170034	Right Rear Directional Locking Caster	1 each
7	WB170017	Left Rear Locking Caster	1 each
8	WC170016	Front Caster	1 each
9	HP327220	Clevis Pin for Gas Spring	1 each
10	HP349160	Rue Ring Cotter Clip	1 each
11	LX5656G	Anti-Tipper	1 pair