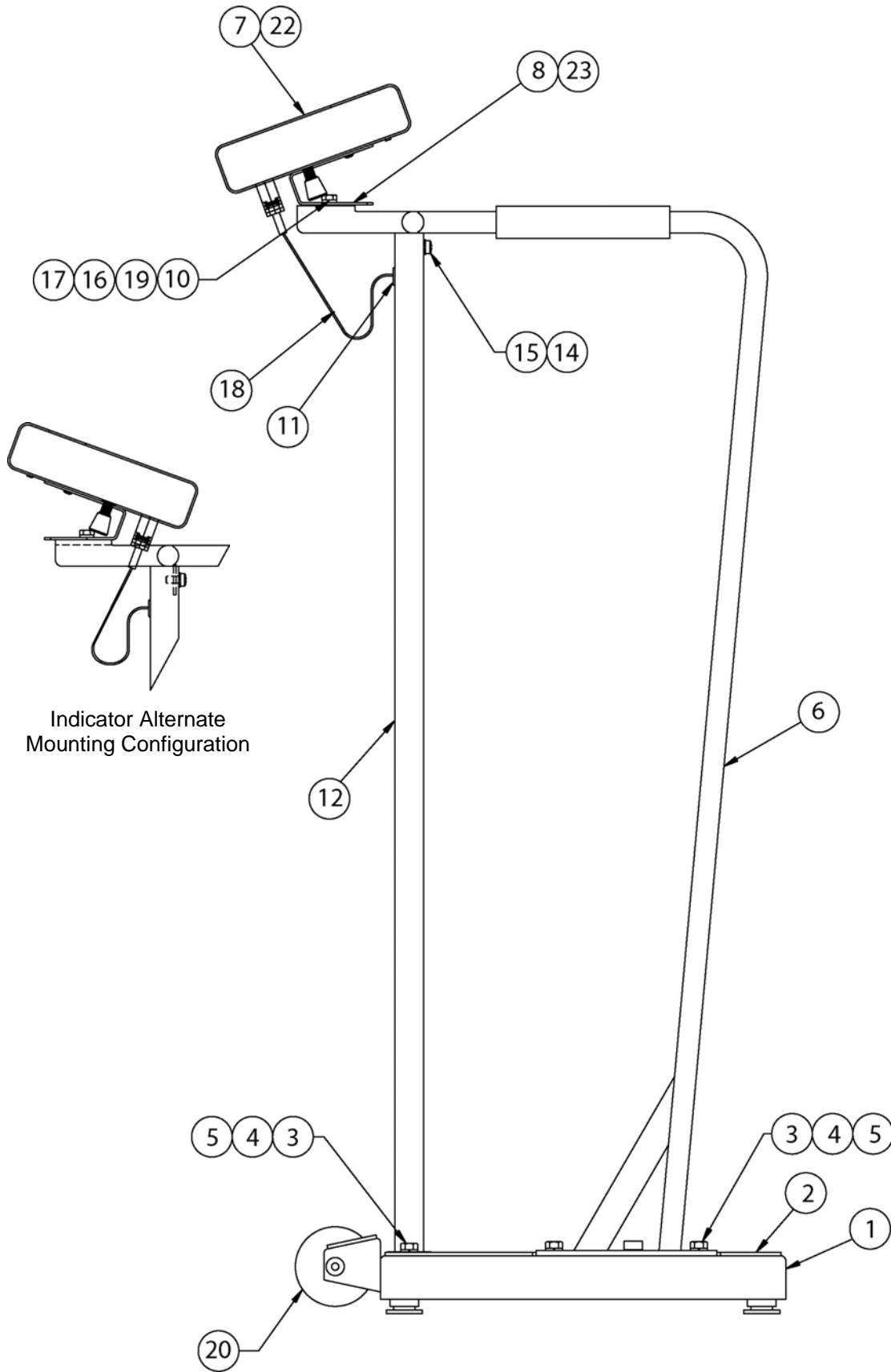
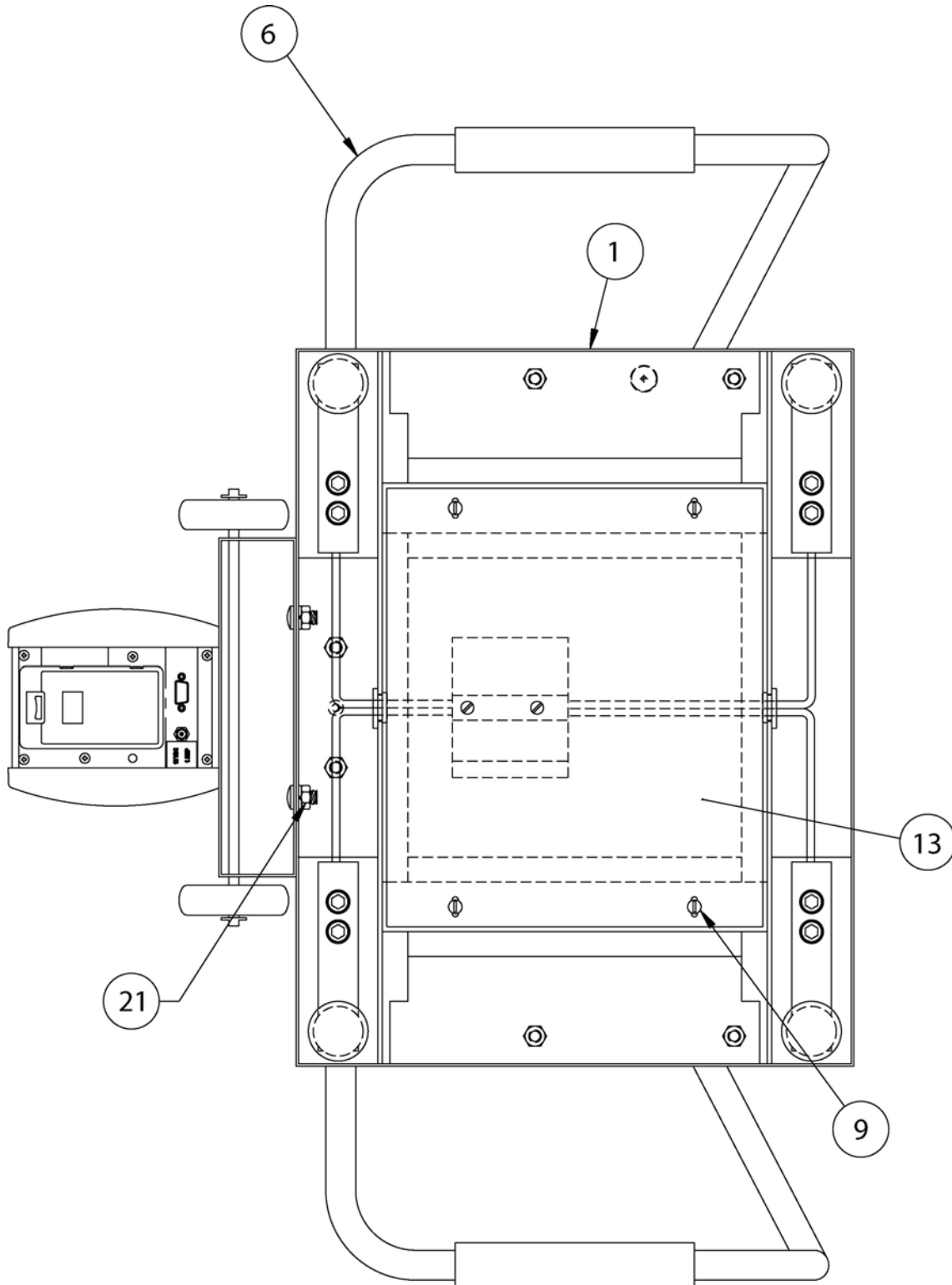


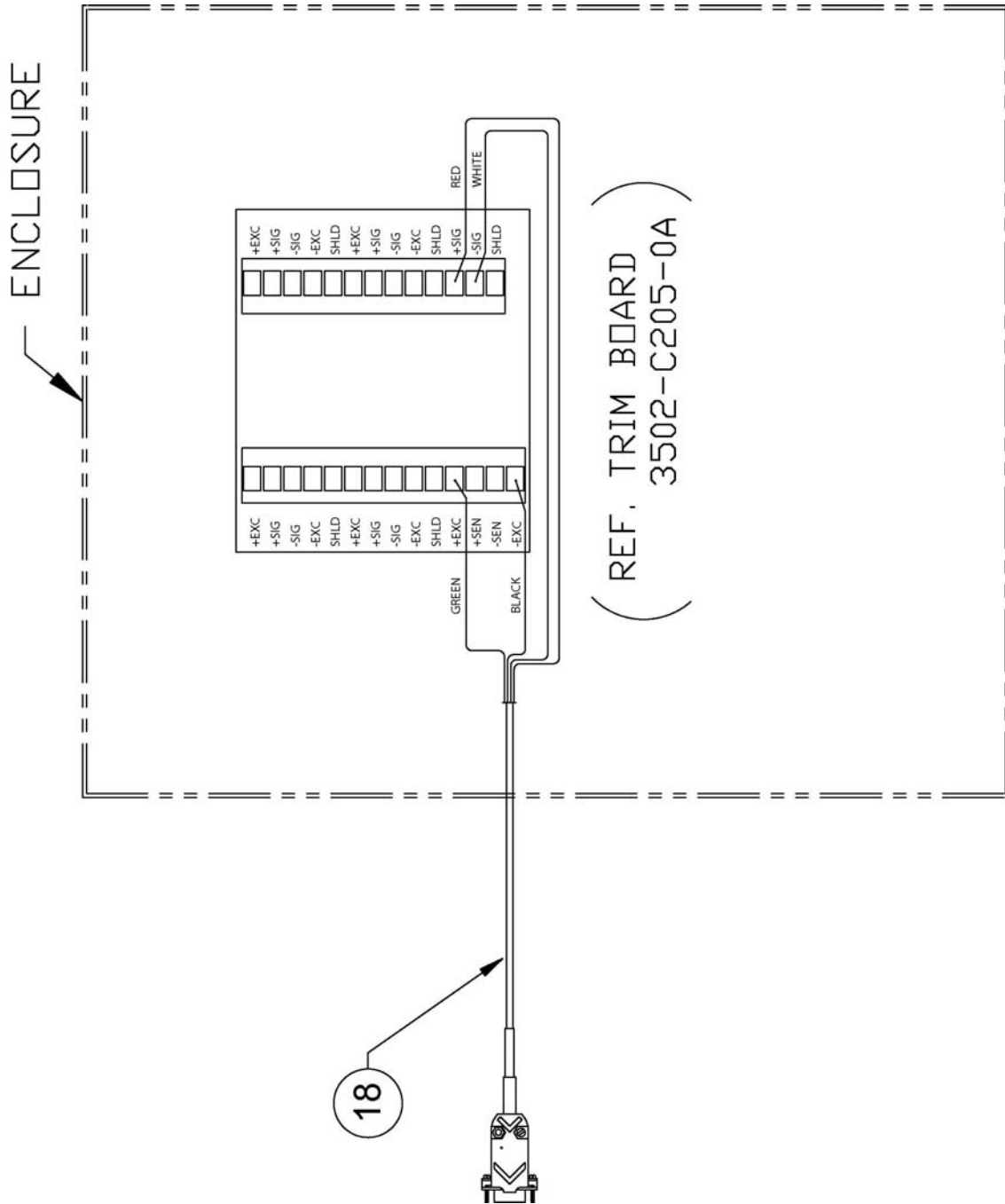
# PART IDENTIFICATION



# PART IDENTIFICATION, CONT.



# PART IDENTIFICATION, CONT.



## PART IDENTIFICATION, CONT.

ITEM NO.	QTY 6855	QTY 6856	PART NUMBER	DESCRIPTION
1	1	-	1930-D330-0A	WEIGHBRIDGE ASSY
	-	1	1930-D445-0A	WEIGHBRIDGE ASSY (6856)
2	1	-	1930-C338-08	MAT W/ADHESIVE
	-	1	1930-C452-08	MAT W/ADHESIVE (6856)
3	6	6	6007-0034	HEX HEAD SCREW 5/16-18 UNC-2A X 3/4"
4	6	6	6024-0050	LOCK WASHER 5/16"
5	6	6	6013-0275	HEX NUT 5/16-18 UNC-2B
6	1	-	1930-C143-0A	HANDRAIL ASSEMBLY
	-	1	1930-C450-0A	HANDRAIL ASSEMBLY (6856)
7	1	1	750	DIGITAL INDICATOR
8	1	1	0033-B438-0A	MTG BRKT ASSY - 750
9	4	4	6021-0665	MACHINE SCREW #6-32 X .375 PAN HD PHILLIP DR
10	1	1	391RV204	ELASTIC STOP NUT
11	1	1	6680-1043	GROMMET
12	1	1	1930-B336-1A	COLUMN ASSEMBLY
13	1	-	1930-C337-08	COVER
	-	1	1930-C451-08	COVER (6856)
14	1	1	6024-0047	EXT STAR WASHER 1/4"
15	1	1	6021-1423	TRUSS HEAD SCREW 1/4-20 UNC-2A X 1/2"
16	1	1	0033-B110-08	UHMW DISK
17	1	1	6024-0004	FLAT WASHER 1/4" DIA SS
18	1	1	1930-B428-0A	CABLE
19	1	1	6021-1454	HEX HEAD BOLT 1/4-20 UNC-2A X 3/4"
20	1	1	0033-C090-0A	WHEEL ASSY.
21	2	2	6013-0045	HEX NUT 1/4-20 UNC
22	-	-	758CSV	DIGITAL INDICATOR (KGEU Model Only)
23	-	-	0033-B164-08	MOUNTING BRACKET (KGEU Model Only)
	1	1	3502-C205-0A	TRIM BOARD