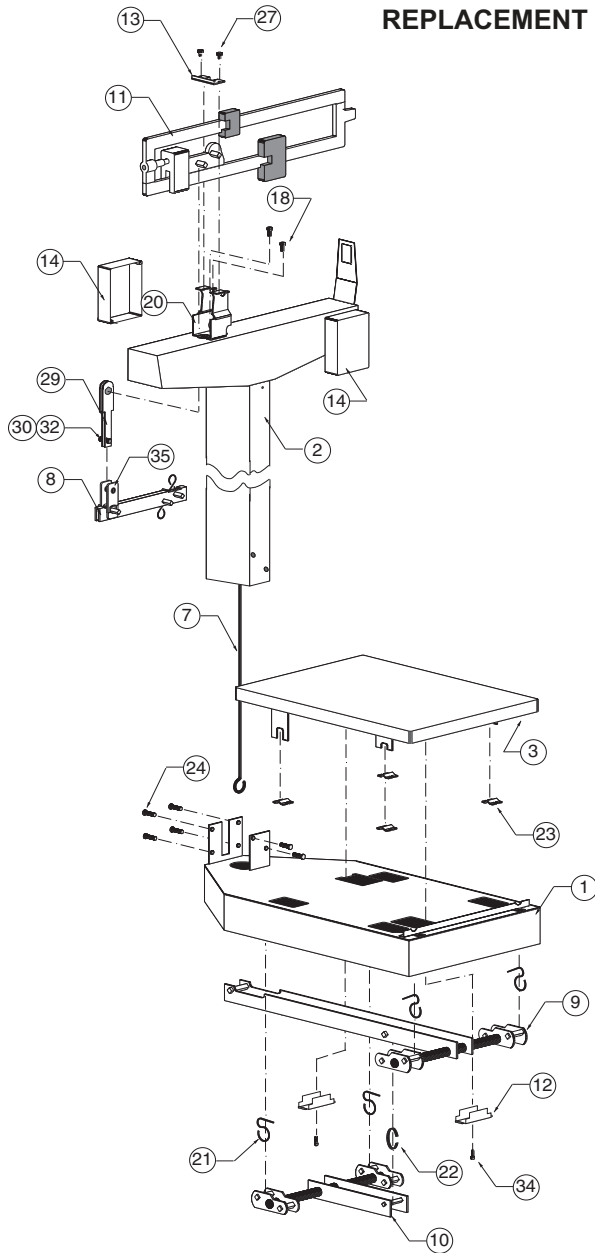


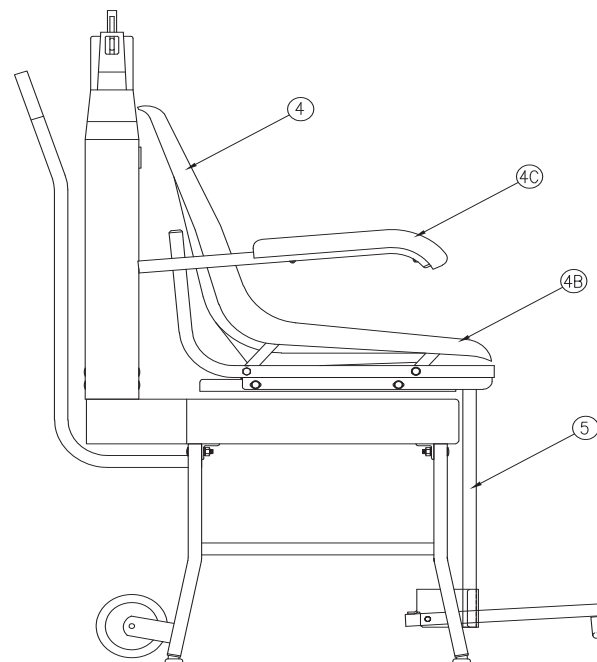
**MODELS 475 AND 4751
REPLACEMENT PART IDENTIFICATION**



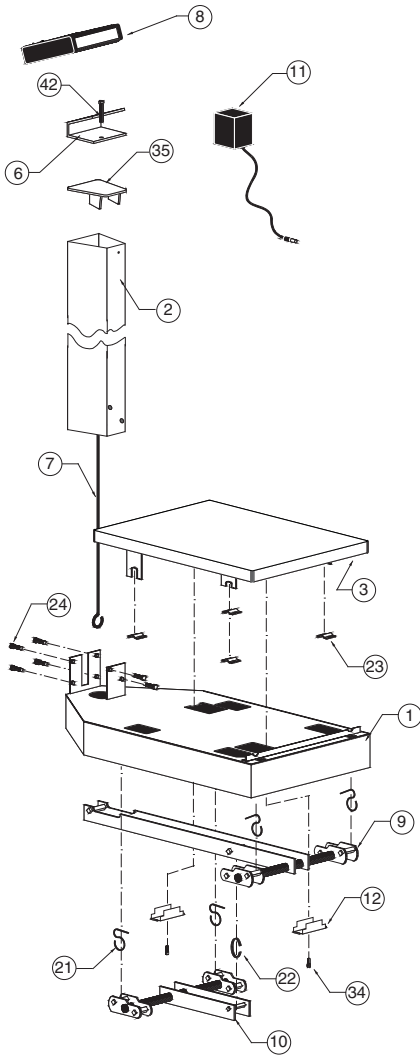
Item Req'd	Part No.	Description
17*	6024-0033	#10 Helical Split Lock Washer
18	6021-0988	#10-32 x 1/2 Hex Head Screw
19*	6013-0277	#10-32 Square Nut
20	3P1008	Beam Yoke
21	3P8059	Union Hanger
22	2U58	Union Center Hanger
23	3P2087	Platform Bearing
24	6021-1102	1/4-20 x 1/2" Truss Head Screw
25*	6024-1027	1/4 Ext Tooth Lock Washer
26*	63K1038	Base Leg
27	6021-0670	#6 x 1/4 Hex Head Sheet Metal Screw
28*	650RC7	Flatwasher
29	3P8034	Beam Hanger Side
30	6028-0105	Pin
32*	6009-5095	Cotter Bow-Tie Pin
34	6021-1629	#10 x 1/2 Hex Head Sheet Metal Screw
35	0033-B334-08	Hanger

*Not Shown

Item	Part No.	Description	Req'd
1	3P5001X	Base Weldment	1
2	0033-D243-0A	Headpiece and Column Weldment	1
3	3P4011X	Platform Weldment	1
4	3P4408X-1	Complete Chair Assy	1
4B	0033-C178-0A	Chair Seat Only	1
4C	3P4412	Arm Rests	2
5	3P3408X	Base Stand	1
7	0033-B335-08	Draft Rod	1
8	0033-C369-0A	Shelf Lever w/Pivot	1
9	3P8002X	Long Lever Assy	1
10	3P8003X	Short Lever Assy	1
11	0033-B220-1A	Beam 400 lb	1
	0033-B226-1A	Beam 400 lb/175 kg	1
12	3P60	Check Plate	2
13	3P41	Reading Beam Retainer	1
14	0033-C236-18	Beam Cover	2



**MODELS 6475, 6475K AND 6475KGEU
REPLACEMENT PART IDENTIFICATION**



Item	Part No.	Description	Req'd
1	3P5001X	Base Weldment	1
2	430XGR804	Column Weldment	1
3	3P4011X	Platform Weldment	1
6	0033-B164-08	Bracket-758CSV	1
	0033-B438-0A	Bracket-750	1
7	0033B255-08	Draft Rod	1
8	758CSV	Indicator	1
	750	Indicator	1
9	3P8002X	Long Lever Assy	1
10	3P8003X	Short Lever Assy	1
11	6800-1045	Optional Power Supply	1
		100-240 VAC / 12 VDC @ 1A	
12	3P60	Check Plate	2
21	3P8059	Union Hanger	4
22	2U58	Union Center Hanger	1
23*	3P2087	Platform Bearing	4
24	6021-1102	1/4-20 x 1/2" Truss Head Screw	6
25*	6024-1027	1/4 Ext Tooth Lock Washer	6
26*	63K1038	Base Leg	4
34	6021-1629	#10 x 1/2 Hex Hd Sht Metal Screw	2
35	0033-B104-0A	Top Plate	1
40*	6024-0033	#10 Helical Split Lock Washer	2
42	6021-1454	1/4-20 x 3/4 Hex Head Screw	1
45*	0033-B110-08	UHMW Disk	1
46*	709G2R1206	Load Cell Assy	1
47*	391RV204	1/4-20 Elastic Stop Nut	1
48*	6024-0004	Washer Flat 1/4	1
49*	0033-B122-0A	Stop Plate Assy	1

*Not Shown