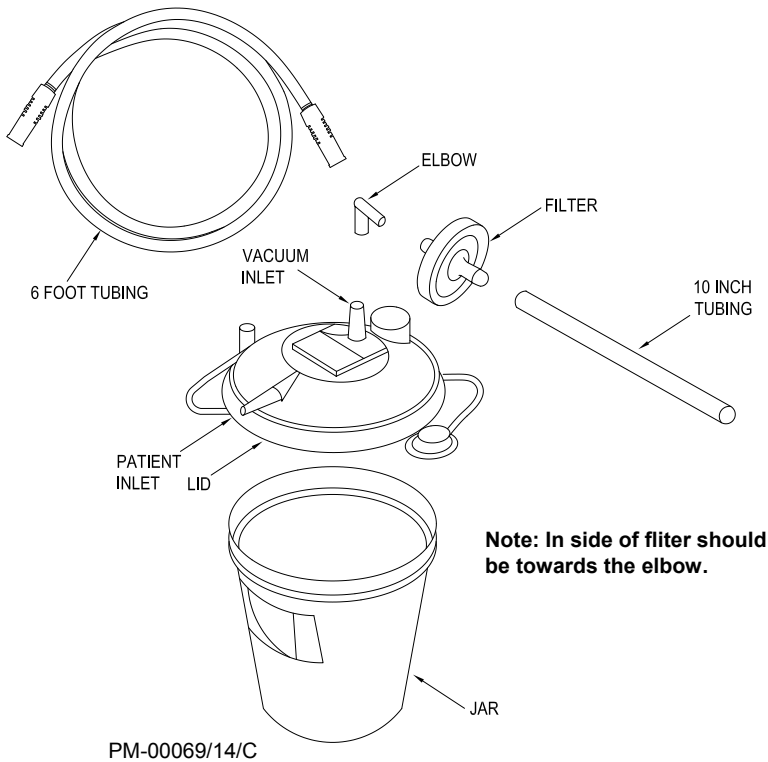


CANISTER KIT



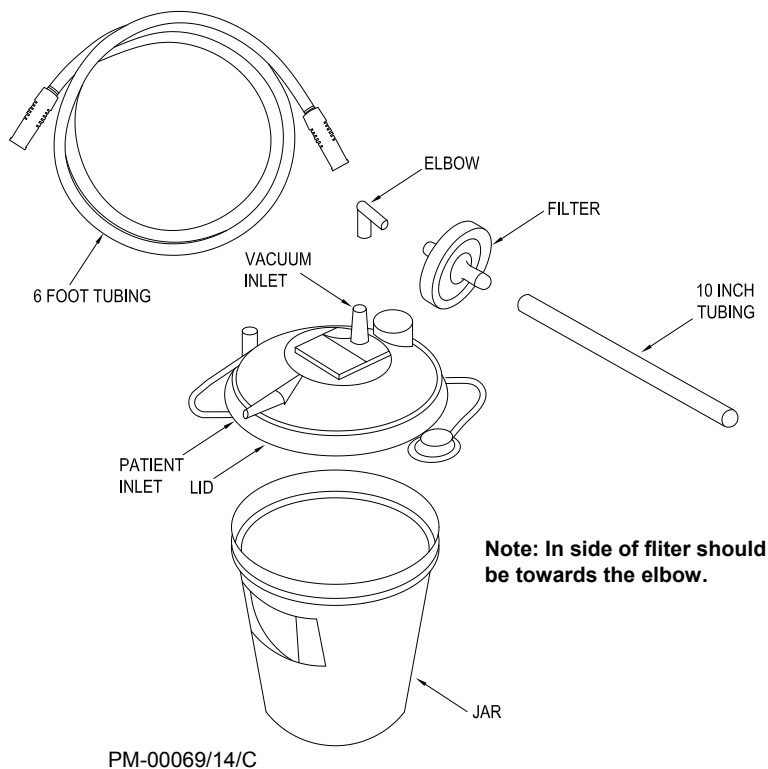
Setup Instructions

1. Place lid on jar and press it on tight.
2. Connect elbow, filter, and tubing together.
3. Connect 6 foot tubing to the patient inlet on the lid.
4. Connect elbow to the inlet on the lid.
5. Be sure that the collection jar lid is pushed on tight and that all connections are secure and without leaks before using.
6. Keep containers filled with fluid up right at all times.

driveTM

Distributed by:
Drive Medical Design & Manufacturing
99 Seaview Boulevard
Port Washington, NY 11050
Toll Free: 877-224-0946
www.drivemedical.com

CANISTER KIT



Setup Instructions

1. Place lid on jar and press it on tight.
2. Connect elbow, filter, and tubing together.
3. Connect 6 foot tubing to the patient inlet on the lid.
4. Connect elbow to the inlet on the lid.
5. Be sure that the collection jar lid is pushed on tight and that all connections are secure and without leaks before using.
6. Keep containers filled with fluid up right at all times.

driveTM

Distributed by:
Drive Medical Design & Manufacturing
99 Seaview Boulevard
Port Washington, NY 11050
Toll Free: 877-224-0946
www.drivemedical.com