

Invisia™ Shampoo Shelf

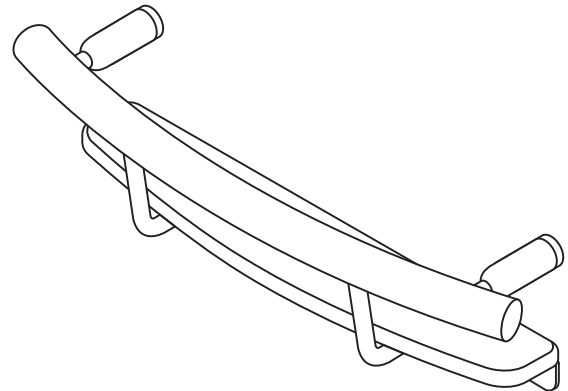
with Support Rail

INVISIA
LIVE BEAUTIFULLY

Technical Data Sheet

Product Specification

The product shall be a combination shampoo shelf and grab rail. The product shall have a removable solid surface shelf. The product shall have patented discreet wall mounts that conceal the mounting hardware. There shall be four points of contact between the product and the wall. The grab rail portion of the product shall be 1.25"/3.2cm in diameter. The product shall be suitable for use in a wet environment. The product shall have a weight capacity in excess of 500lbs / 227kg. Product shall comply with ADA Guidelines, specifying the structural strength of grab bars, tubs and shower seats. The grab rail shall be Invisia Collection model INV-SHS-____ (see table below for appropriate product code).



Key Features

- Elegant Design with Integrated Support
- Solid Surface Shelf
- Solid Construction and Mounting
- Discreet Wall Support
- Suitable For Use in a Wet Environment
- 500lbs / 227kg Weight Capacity

Codes and Standards

- ADA 609.2 Cross Section
- ADA 609.8 Structural Strength



Specified Model

| Model | Finish | Material |
|-------------|-------------------|----------------------|
| INV-SHS-BLK | Matte Black | #304 Stainless Steel |
| INV-SHS-BS | Brushed | |
| INV-SHS-CP | Polished Chrome | |
| INV-SHS-ORB | Oil Rubbed Bronze | |

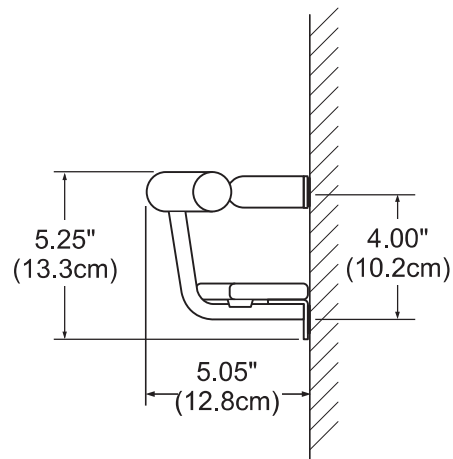
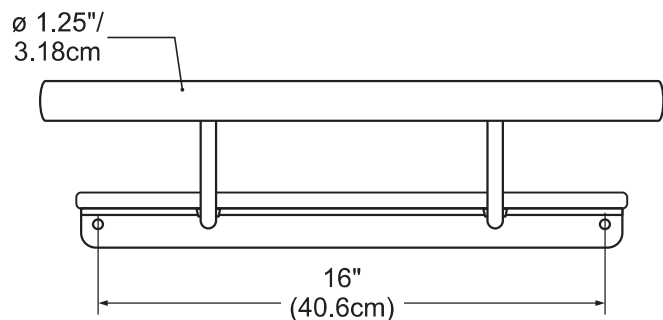
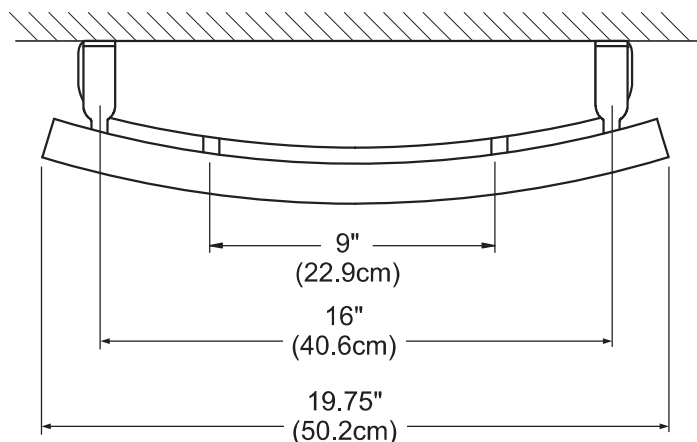
Invisia™ Shampoo Shelf

with Support Rail

INVISIA
LIVE BEAUTIFULLY

Technical Data Sheet

Product Dimensions



Shipping Dimensions

| Model | Height (H) | Width (W) | Depth (D) | Weight |
|-------|-------------|--------------|-------------|---------------|
| SHS | 6" / 15.2cm | 22" / 55.9cm | 8" / 20.3cm | 7lbs / 3.18kg |

