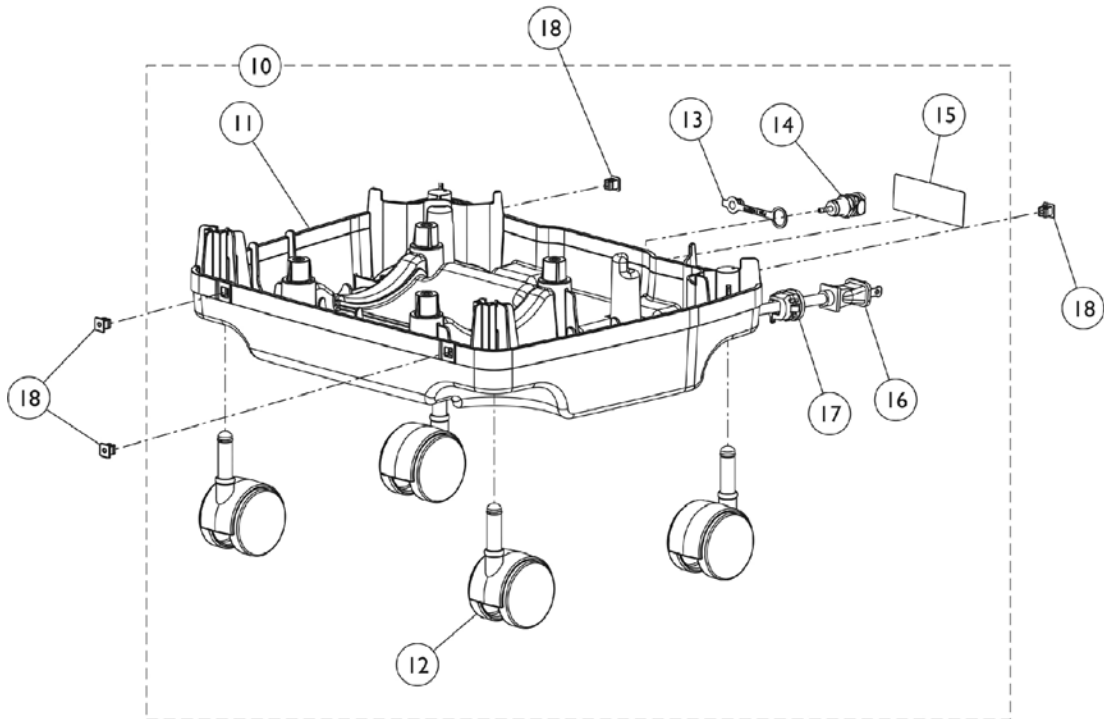
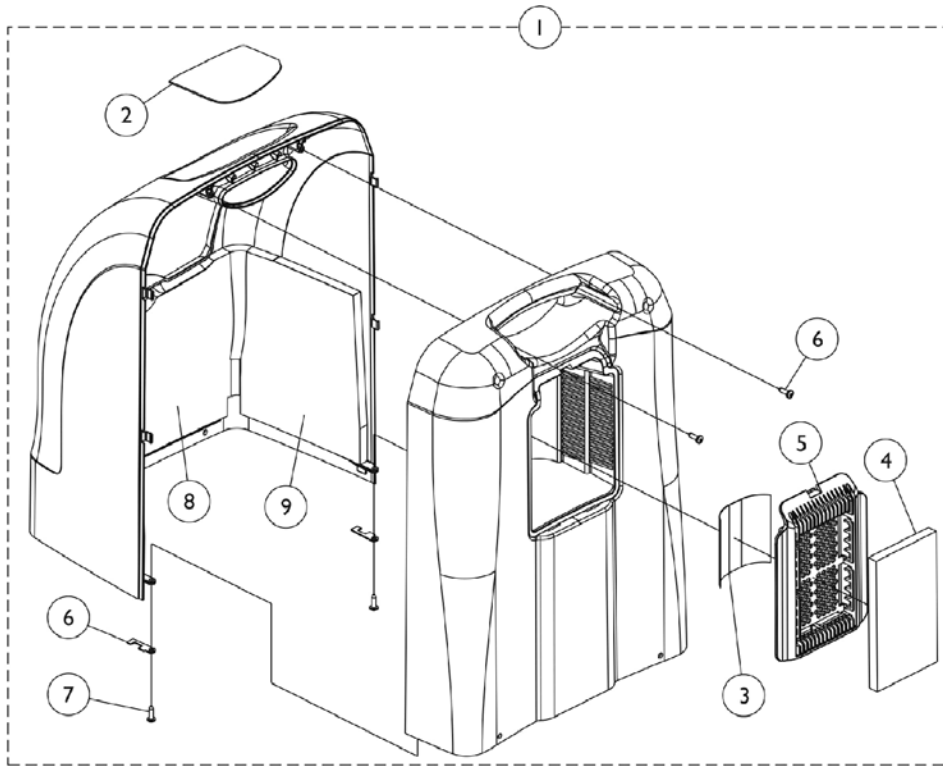


Cabinet and Base

Perfecto2



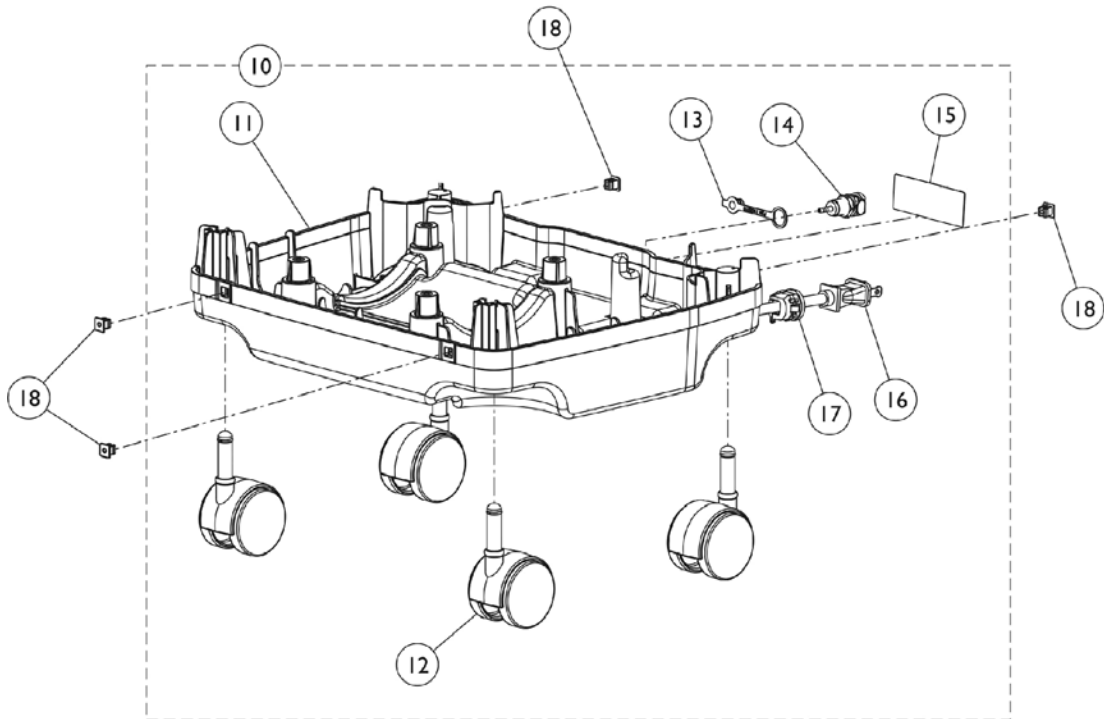
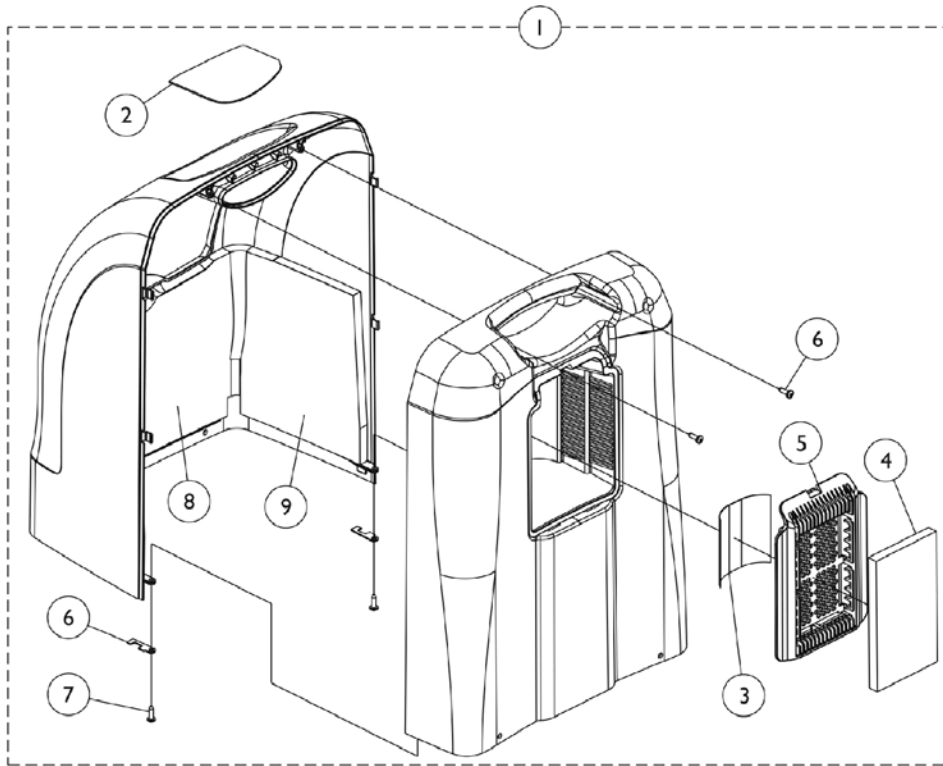
Cabinet and Base Perfecto2

Item Number	Note	Part Number	Description	Quantity Per	
				Package	Assembly
1	A	1143470	Top Shroud Assembly, Graphite	1	1
1	A,C,E	1153341	Top Shroud Assembly, Beige	1	1
2		1147920	Label, Text	1	1
3		1137267	Label, Diagnostic	1	1
4		1143492	Filter, Cabinet	1	1
5		1143432-NLA	NLA - Door, Cabinet Access, Graphite	1	1
5	D,E,G	1161831	Door, Cabinet Access, Beige	1	1
6		1143550	Clip, Retaining	1	2
7		1108810	Screw, Hi-Lo Six Lobe Drive (#10-16 x 5/8")	1	4
8		1143464	Foam, Shroud - Front	1	1
9		1143465	Foam, Shroud - Side	1	2
10	F	1163095	Base Assembly	1	1
11			Base and Baffle Assembly, Concentrator	1	1
12			Caster Assembly (2")	1	4
13			Cap, End, Dust, Green	1	1
14			Fitting, Hose Barb with Nut (1/8")	1	1
15			NLA - Label, Spec	1	1
16			Cord, Power	1	1
17			Relief, Strain	1	1
11		1168590	Base and Baffle Assembly, Concentrator	1	1
12		1110426	Caster Assembly (2")	1	4
13		1108211	Cap, End, Dust, Green	1	1
14		1104151	Fitting, Hose Barb with Nut (1/8")	1	1
15		1147921-NLA	NLA - Label, Spec	1	1
16		1143493	Cord, Power	1	1
17		1143546	Relief, Strain	1	1
18		2000360	Grommet, Plastic	1	4
	H	2000508	Screw, Phillips Truss Head Self Tap (#8-32 x 5/8")	1	4

NOTE: A - Includes Cabinet and Items 2 thru 9.
 C - Top Shroud Assembly color was "Graphite" before 1/16/09.
 D - Use with units "After 10/30/07."
 E - Top Shroud Assembly color is Beige "After 1/16/2009".
 F - Includes items 11 thru 17.
 G - Cabinet Access Door was revised 10/16/09 to allow the Cabinet Filter to be assembled to the outside of the Cabinet Access Door. The Cabinet Access Door is backward compatible in the field for models manufactured before 10/16/09.
 H - Not shown in illustration. Used to fasten Cabinet to Base.

Cabinet and Base

Perfecto2V

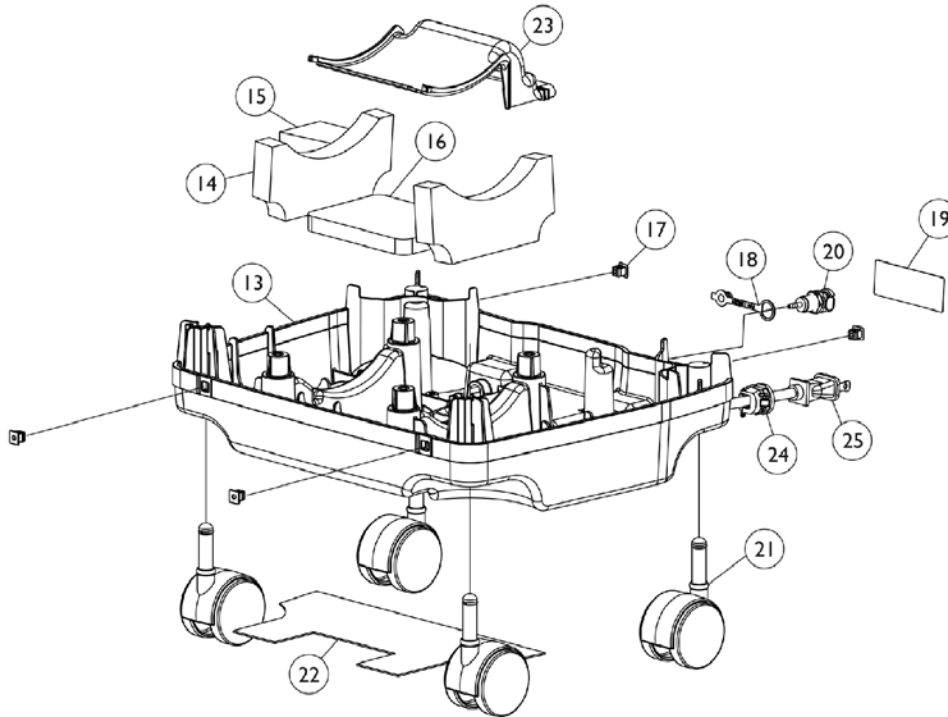
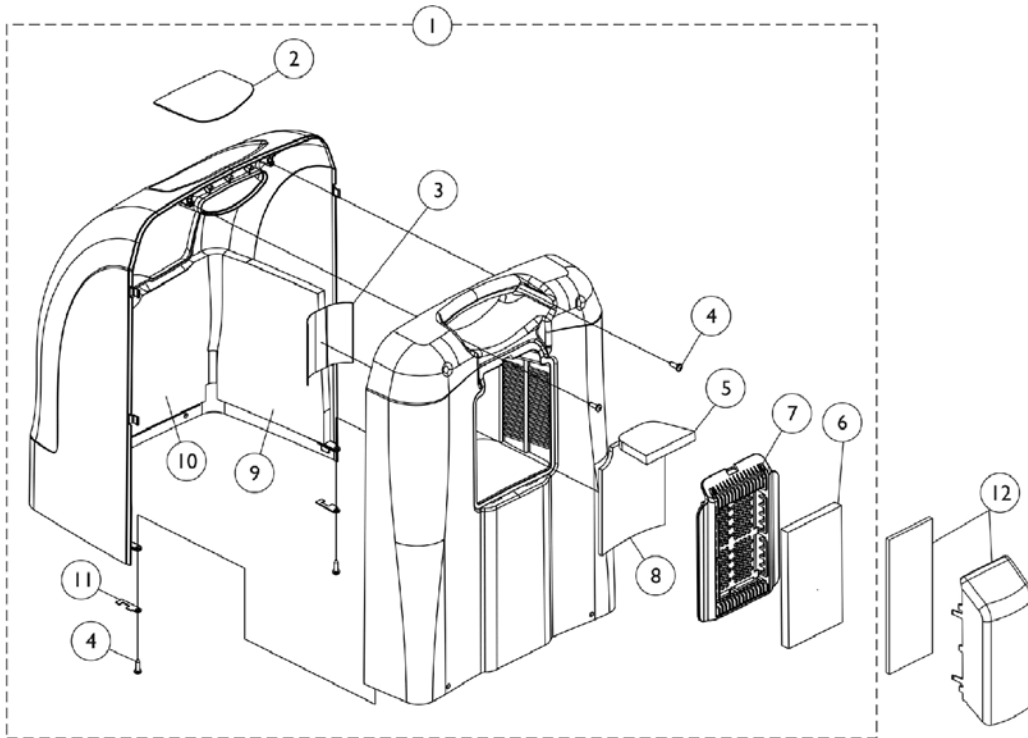


Cabinet and Base Perfecto2V

Item Number	Note	Part Number	Description	Quantity Per		
				Package	Assembly	
1	A	1165488	Top Shroud Assembly	1	1	
2		1164905	Label, Text	1	1	
3		1137267	Label, Diagnostic	1	1	
4		1143492	Filter, Cabinet	1	1	
5		1161831	Door, Cabinet Access, Beige	1	1	
6		1143550	Clip, Retaining	1	2	
7		1108810	Screw, Hi-Lo Six Lobe Drive (#10-16 x 5/8")	1	4	
8		1143464	Foam, Shroud - Front	1	1	
9		1143465	Foam, Shroud - Side	1	2	
10	B	1163095	Base Assembly	1	1	
11			Base and Baffle Assembly, Concentrator	1	1	
12			Caster Assembly (2")	1	4	
13			Cap, End, Dust, Green	1	1	
14			Fitting, Hose Barb with Nut (1/8")	1	1	
15			NLA - Label, Spec	1	1	
16			Cord, Power	1	1	
17			Relief, Strain	1	1	
11			1168950	Base and Baffle Assembly, Concentrator	1	1
12			1110426	Caster Assembly (2")	1	4
13			1108211	Cap, End, Dust, Green	1	1
14			1104151	Fitting, Hose Barb with Nut (1/8")	1	1
15			1147921-NLA	NLA - Label, Spec	1	1
16			1143493	Cord, Power	1	1
17			1143546	Relief, Strain	1	1
18			2000360	Grommet, Plastic	1	4

NOTE: A - Includes Cabinet and Items 2 thru 9.
B - Includes items 11 thru 17.

Cabinet and Base PerfectoW



Cabinet and Base PerfectoW

Item Number	Note	Part Number	Description	Quantity Per	
				Package	Assembly
1	F,A	1161717	Top Shroud Assembly, Beige	1	1
2		1161721	Label, Text, English - PerfectoW	1	1
3		1137267	Label, Diagnostic	1	1
4		1108810	Screw, Hi-Lo Six Lobe Drive (#10-16 x 5/8")	1	4
5		1153695	Foam, Inlet - Ceiling	1	1
6		1143492	Filter, Cabinet	1	1
7	F,G	1161831	Door, Cabinet Access, Beige	1	1
8		1153700	Foam, Inlet - Wall	1	1
9		1143465	Foam, Shroud - Side	1	2
10		1143464	Foam, Shroud - Front	1	1
11		1143550	Clip, Retaining	1	2
12	B	1156532	Inlet Air Scoop Assembly	1	1
	E	1161718	Instruction Sheet, Inlet Air Scoop Assembly	1	1
13	C	1143429-NLA	NLA - Base, Concentrator	1	1
14		1153706	Foam, Damping - Base	1	2
15		1154501	Foam, Resonator	1	1
16		1153705	Foam, Damping Outlet Base	1	1
17		2000360	Grommet, Plastic	1	4
18		1108211	Cap, End, Dust, Green	1	1
19		1147921-NLA	NLA - Label, Spec	1	1
20		1104151	Fitting, Hose Barb with Nut (1/8")	1	1
21		1110426	Caster Assembly (2")	1	4
22		1153704	Damper, Sound Base	1	1
23		1143444-NLA	NLA - Baffle, Exhaust	1	1
24		1143546	Relief, Strain	1	1
25		1143493	Cord, Power	1	1

NOTE: A - Includes Cabinet and Items 2-11.
 B - Includes Inlet Foam and Scoop. When ordering item 12, order instruction sheet part number 1161718 also.
 C - Includes Base Only.
 E - Not Shown.
 F - Changed Top Shroud Assembly Color back to Beige. After 1/16/2009.
 G - Cabinet Access Door was revised 10/16/09 to allow the Cabinet Filter to be assembled to the outside of the Cabinet Access Door. The Cabinet Access Door is backward compatible in the field for models manufactured before 10/16/09.