


MAINTENANCE

- All maintenance **MUST** be conducted by a qualified Oxlife Independence service technician.
DO NOT attempt to disassemble or perform any maintenance on your device. Any such attempt will void the warranty.

USER CARE AND CLEANING

CASE, AC POWER SUPPLY, DC POWER SUPPLY

WARNING

 **Unplug your Oxlife Independence and or power supplies before cleaning.**

 **DO NOT** use alcohol, ethylene chloride or petroleum based cleaners on the case or power supplies.

- Clean the outside case of your device using a soft cloth dampened with a mild detergent and water.
DO NOT spray or soak the case or front panel.

AIR INLET FILTER CLEANING

- Regular cleaning of the Air Inlet Filter is the only maintenance you will perform on your device. To keep your Oxlife Independence working properly, it is recommended you clean the Air Inlet Filter weekly.
- If the Oxlife Independence is used in a dusty environment, more frequent cleaning of the Air Inlet Filter may be required.
- Never use your Oxlife Independence without an Air Inlet Filter.

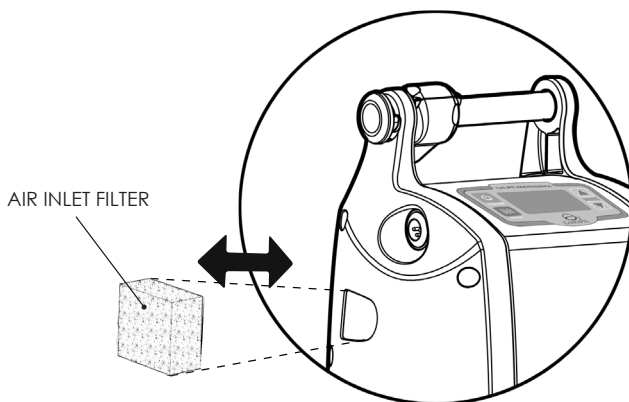
AIR INLET FILTER CLEANING (CONT.)

Follow these simple directions to clean the Air Inlet Filter:

1. Remove the Air Inlet Filter
2. Wash the filter by running under warm tap water using a mild detergent.
3. Rinse thoroughly under warm, running water.
4. Squeeze out excess water.
5. It is important to allow the filter to dry completely before reinserting into the device. Moisture from a wet or damp Air Inlet Filter may damage your device.

! You may want to keep an extra Air Inlet Filter to use as a replacement while one is drying.

Contact your authorized dealer for extra Air Inlet Filters.



CAUTION **!**