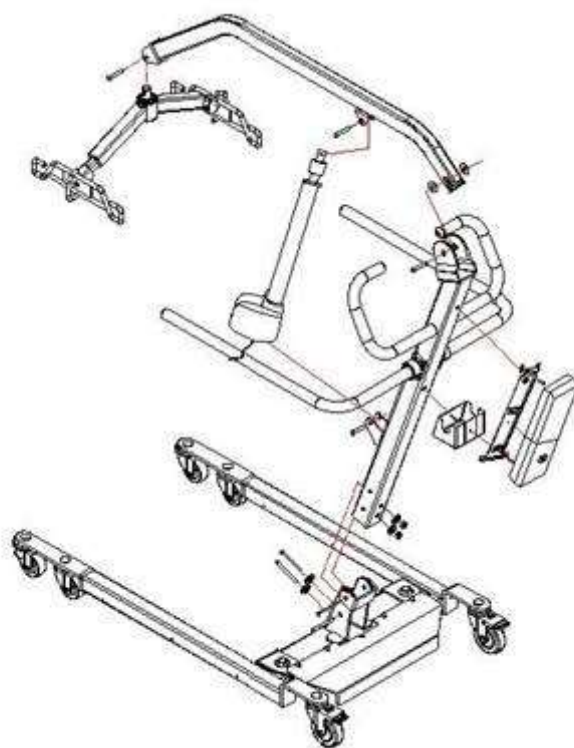




**MODEL: MDS450EL
450 LB CAPACITY PORTABLE PATIENT LIFT
BATTERY OPERATED
OWNER'S GUIDE**



Medline Industries, Inc
One Medline Place
Mundelein, IL 60060-4486
Tel: 1-800-MEDLINE
Web: www.medline.com

This product is LATEX FREE.

Congratulations on purchasing a Medline Lift!

For your records, please record the following information:

Telephone:	_____
Serial Number:	_____
Date of Purchase:	_____

When receiving the Patient Lift

- Verify free from any shipping damage.
- Refuse delivery if the package appears to be badly damaged.
- If the merchandise is received damaged or is missing components, contact the shipping company immediately and file a claim.

After receiving the Patient Lift

- Verify that none of the components are missing.

For further assistance, contact your local dealer or Medline:

Medline Industries, Inc.
One Medline Place
Mundelein, IL 60060-4486
1-800-MEDLINE

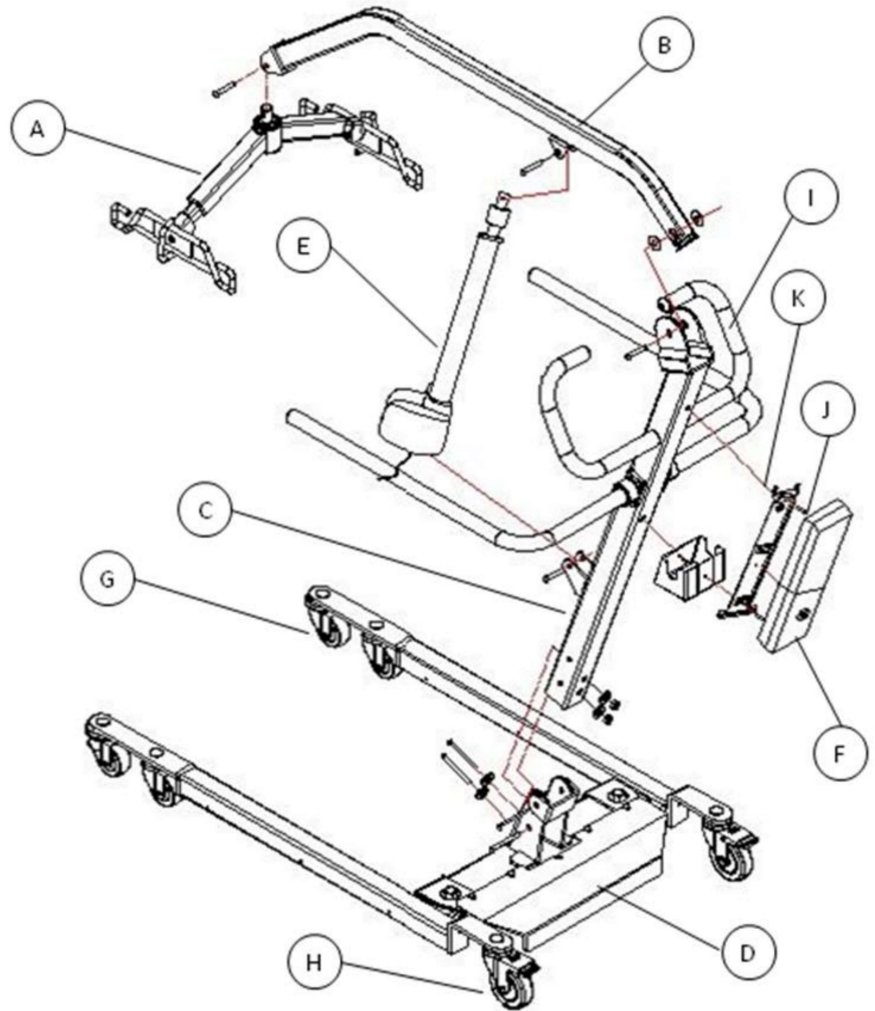
BEFORE USING THIS EQUIPMENT, READ THIS GUIDE COMPLETELY. SAVE THIS FOR FUTURE REFERENCE.

TABLE OF CONTENTS

- MEDLINE MDS450 DETAIL CHART4**
- SAFETY INSTRUCTIONS5**
 - GENERAL GUIDELINES.....5**
 - GENERAL WARNINGS!5**
 - OPERATIONAL WARNINGS!5**
 - PERSONAL INJURY WARNINGS!6**
- CAUTIONS6**
- ASSEMBLY INSTRUCTIONS7**
 - SETTING UP THE BATTERY PACK.....9**
- OPERATING INSTRUCTIONS10**
 - OPERATING WARNINGS!10**
 - SLING USE WARNINGS!.....11**
 - OPERATING CAUTIONS11**
 - BATTERY OPERATION13**
 - ELECTRICAL EMERGENCY LOWERING14**
 - MANUAL EMERGENCY LOWERING MECHANISM14**
 - EMERGENCY STOP15**
- LIFTING TECHNIQUES.....15**
 - TRANSFER FROM BED15**
 - TRANSFER FROM WHEELCHAIR.....16**
 - LIFT A PATIENT FROM THE FLOOR.....16**
- MAINTENANCE & INSPECTION17**
- TROUBLESHOOTING19**
- LIMITED WARRANTY20**
- MEDLINE PATIENT LIFT MAINTENANCE RECORD21**

MEDLINE MDS450 DETAIL CHART

- A. Spreader Bar – 6 Point Cradle
- B. Boom
- C. Mast
- D. Base
- E. Actuator
- F. Control Box
- G. Front Casters
- H. Rear Casters with Brake
- I. Push/Steering Handle
- J. Battery pack
- K. Control Box/Battery Pack Mounting Bracket



Control Box



Battery Pack



Hand Control

SAFETY INSTRUCTIONS

TO ENSURE YOUR SAFETY IN USING THIS MEDLINE PATIENT LIFT, ALL WARNINGS AND SAFETY INFORMATION AND ALL INSTRUCTIONS MUST BE FOLLOWED. FAILURE TO DO SO MAY RESULT IN SERIOUS BODILY INJURY OR DAMAGE TO THE EQUIPMENT.

GENERAL GUIDELINES

The Medline patient lifts are not intended to be used for transporting patients between locations. They should solely be used to transfer patients from/to a wheelchair, bed, commode, shower chair, or floor.

Select a sling that will properly fit the patient and have the appropriate weight capacity.

NEVER EXCEED THE LIFT'S SAFE WORKING LOAD CAPACITY OF 450 LBS.

GENERAL WARNINGS!

- ⚠ DO NOT use this product without first completely reading and understanding these instructions.
- ⚠ NEVER operate the lift unless you have been properly trained on all procedures and safe handling methods. PRACTICE using the lift prior to performing actual patient lifting so that you are familiar with its operation.
- ⚠ ALWAYS replace any worn or non-functioning parts only with genuine Medline Lift parts. Medline Lift parts are not interchangeable with parts from other patient lift brands. Using other patient lift parts on Medline Lift products is unsafe and may result in serious injury to patient and caregiver. **Medline is not responsible for any consequence resulting from the use of non-Medline Lift parts and components on Medline lifts, or for Medline parts being used on other brand lifts.**
- ⚠ Service and repair of Medline Lift equipment should be performed only by Medline or by an authorized dealer. **Medline is not responsible for any consequence resulting from any unauthorized service or repair.**

OPERATIONAL WARNINGS!

- ⚠ DO NOT attempt to transfer a patient without prior approval of the patient's nurse or doctor.
- ⚠ ALWAYS, (except when lifting a patient from the floor) while lifting or lowering a patient, maintain the base unit legs spread to the widest position and ensure that the *casters are unlocked*.
- ⚠ ALWAYS, when lifting a patient from the floor, maintain the base unit legs spread to the widest position and ensure the *casters are locked*.
- ⚠ ALWAYS close the base unit prior to moving the patient lift.
- ⚠ DO NOT roll patient lift over objects such as raised carpet bindings, door frames, or any uneven surfaces that could create an imbalance of the lift with the patient suspended in a sling.
- ⚠ ALWAYS keep the patient centered over the base and facing the operator/caregiver.

PERSONAL INJURY WARNINGS!

- ⚠ DO NOT place anything between the patient and the sling (e.g. cushions, incontinence pads, etc). Doing so could cause the patient to slide out of the sling and cause injury from falling.
- ⚠ KEEP all extremities (such as fingers, arms, legs, or feet) clear of the lift mechanism while it is in operation. Care must be taken to avoid pinch points when the lift is being operated.
- ⚠ DO NOT exceed the weight capacity of 450 lbs for this lift.
- ⚠ DO NOT allow children or pets near the patient lift while it is in use.
- ⚠ USE ONLY Medline slings on Medline patient lifts. **Use of non-Medline slings could be unsafe and may result in injury to the patient or caregiver.**
- ⚠ INSPECT the slings prior to each use. Do not use a sling that has worn thread or frayed straps.

CAUTIONS

KEEP foreign objects coming in contact with the lift moving parts while in operation.

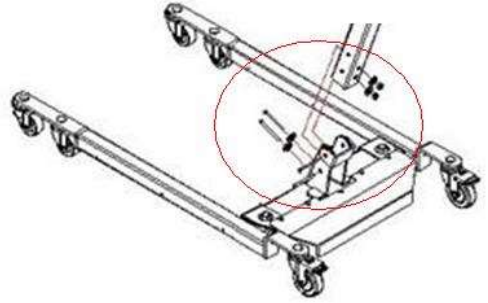
Prior to performing a lift, arrange all necessary items (lifts, slings, commode chair or wheel chair, etc.) for a smooth and safe lift procedure. The patient being transferred should be positioned in the center of the bed before being lifted, as well as when he/she is returned to the bed.

ASSEMBLY INSTRUCTIONS

The Patient Lift is packaged in one box. Remove the contents from the carton.

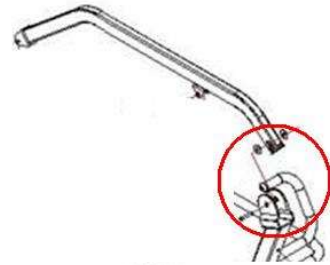
Attach the mast to the base unit.

1. Place the base unit flat on the floor.
2. Remove the bolts from the base bracket.
3. Orienting the mast so that the push handles lean toward the legs, insert the mast into the bracket as shown.
4. Install the bolts into the mast and base unit bracket.
5. Ensure the connection is tight.



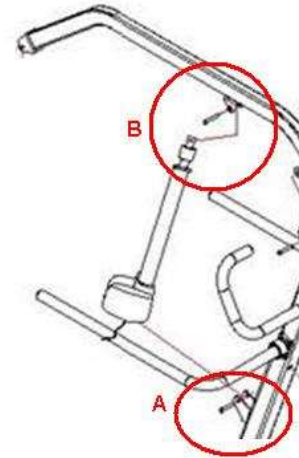
Attach the boom to the top of the mast.

1. Remove the bolt from bracket at the top of the mast.
2. Insert the end of the boom into the bracket at the top of the mast.
3. Insert the bolt through the mast bracket and the boom.



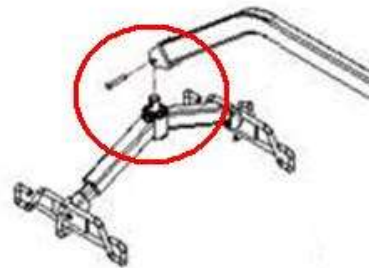
Attach the actuator to the mast and the boom.

1. Remove the bolts from the actuator – one at each end.
2. Orient the actuator with the motor at the lower end.
3. Align the motor bracket to the bracket on the mast as shown in Circle A.
4. Insert the bolt from the motor end of the actuator and tighten.
5. Align the other end of the actuator to the bracket on the boom as shown in Circle B.
6. Insert the bolt and tighten.



Attach the cradle to the boom.

1. Remove the bolt from the top of the cradle assembly.
2. Align the top of the cradle assembly to the bracket at the end of the boom.
3. Insert the bolt and tighten.



Attach the Control Box Mounting Bracket Adapter to the Mast using 2 bolts.



Attach the Control Box Mounting Bracket to the Mast and Adapter. Use 1 bolt at top and 1 bolt with locking nut at bottom.



Attach the control box to the mast.

1. The mounting bracket is attached to the back of the mast.
2. Mount the control box onto the 2 tabs at the bottom of the bracket.
3. The control box will be oriented with the cable ports on the bottom, pointing towards the floor.



SETTING UP THE BATTERY PACK

Removing and Inserting the Battery Pack

TO INSERT:

- Align the battery pack with the control box.
- Slide the battery pack down into position on the control box.
- The battery pack will snap into position as it is inserted.



TO REMOVE:

- Grasp the battery pack and simply pull up and away.

NOTE: To charge the battery pack, refer to “Charging the Batteries” on page 12.

CONNECT THE CABLES TO THE CONTROL BOX

1. Hand control to Outlet 1
2. Actuator for lift arm to Outlet 2
3. Actuator for base width adjust to Outlet 3
4. If Charging, plug the the charging cord to Outlet 4



PERFORM MAINTENANCE & INSPECTION PROCEDURE ON PAGE 17 AFTER ASSEMBLY IS COMPLETE AND PRIOR TO FIRST USE OF THE PATIENT LIFT.

OPERATING INSTRUCTIONS

ALWAYS CHECK THE FOLLOWING BEFORE EACH LIFT OPERATION:

- The mast bolted securely to the base unit
- The red emergency stop/reset button is out (if not, rotate clockwise to release).
- The charging cord is unplugged from the wall outlet
- The hand remote up/down functions operate normally to raise/lower the boom.
- The hand control in/out functions operate normally to open/close the base legs.
- All nuts, bolts and fasteners are tightened securely

OPERATING WARNINGS!

- ⚠ DO NOT operate the lift unless all maintenance items pass inspection. See Maintenance & Inspection section on Page 17.
- ⚠ ALWAYS plan your lifting operations before starting.
- ⚠ ALWAYS familiarize yourself with the operating control and safety features of a lift before performing a lift operation.
- ⚠ ALWAYS check that the patient will not exceed the safe lifting capacity of this lift.
- ⚠ ALWAYS follow instructions for lifting as provided in this owner's guide.
- ⚠ NEVER disconnect or bypass a control or safety feature to make it easier to operate the lift.
- ⚠ DO NOT lift a patient with the casters locked.
- ⚠ DO NOT attempt to maneuver the lift by pushing on the mast, boom, or patient.
- ⚠ ALWAYS maneuver the lift with the handle provided.
- ⚠ ALWAYS lower the patient to the lowest comfortable position before transfers.
- ⚠ DO NOT push a loaded lift at speeds which exceed a slow walking pace.
- ⚠ DO NOT push the lift over uneven or rough ground. Particularly if loaded.
- ⚠ DO NOT attempt to push/pull a loaded lift over a floor obstruction, which the casters are unable to ride over.
- ⚠ NEVER force an operating/safety control. All controls are easy to use and do not require excessive force.
- ⚠ DO NOT park a loaded lift on ANY sloping surface.
- ⚠ DO NOT attempt to negotiate a loaded lift on a slope.
- ⚠ DO NOT use electric lifts in a shower.
- ⚠ DO NOT charge an electric lift in a bathroom or shower room.
- ⚠ DO NOT lift a patient unless you are trained and competent to do so.
- ⚠ DO NOT use, or allow this patient lift to be used for any other purpose than for transferring a patient.
- ⚠ DO NOT push/pull the lift down steps, loaded, or unloaded.
- ⚠ ALWAYS check that the lift is not charging before moving as the electrical connection may be damaged.
- ⚠ ALWAYS place the legs of the lift in the open position to lift or lower a patient. Close the legs to move the lift.

SLING USE WARNINGS!

- ⚠ ALWAYS use Medline slings.
- ⚠ ALWAYS ensure the sling is the correct size and capacity for the patient being transferred.
- ⚠ NEVER use a sling which is frayed or damaged.
- ⚠ NEVER exceed the safe lifting capacity of sling that is being used.

OPERATING CAUTIONS

- CAUTION: Keep the batteries fully charged. Place the lift on charge whenever it is not in use. The charger will not allow the batteries to “overcharge”.
- CAUTION: Never run the batteries completely flat. If the audible warning sounds, complete the lifting operation in hand and place the lift on charge.
- CAUTION: Never store the lift for long periods without regular charging throughout the storage period.
- CAUTION: Always make sure the main power to the charger is switched off before connecting or disconnecting the charger to or from the lift.
- CAUTION: Never leave the charger plugged into the lift with the main power off.
- CAUTION: Never disconnect the charger plug by pulling on the cable.
- The lift has two locking casters, which can be locked for parking. When lifting, the casters should be left free and unlocked, so that the lift will then be able to move to the center of gravity of the lift. DO NOT apply the brakes because if the brakes are applied, the patient might swing to the center of gravity and this may prove disconcerting and uncomfortable to the patient, or cause the patient to bump the mast.

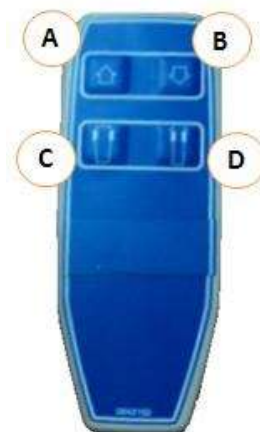
Locking the wheels:

- The rear wheels can be locked for rotation and lateral movement.
- To lock the wheels press the brake lever above the wheel down with your foot. Release the wheels by pressing the top side of the lever.
- During lifting, wheels should remain unlocked so that the lift may shift to the patient's center of gravity.
- The wheels should however be locked if there is a risk for the lift moving into the patient, for example when lifting from the floor.

Operating the lift using the hand control:

There are 4 buttons with the following functions:

- A. Raise the lift
- B. Lower the lift
- C. Open the legs
- D. Close the legs



CONTROL BOX/BATTERY PACK



Control Box



Battery Pack

Features:

- Output voltage: 24 VDC
- Battery rated at 2.9 Amp Hours
- Acoustic battery alarm at approx. 50% battery capacity
- Bayonet lock for locking the handset plug
- Emergency stop button
- LCD-display shows actual battery capacity and indicates when battery needs recharging
- Internal charger
- A fully charged battery should provide approximately 40 lifts and lowers.

External battery charger is included. Allows charging a battery while lift is in use using a second battery pack. A second battery is not included.



External Charging Unit Control Box

BATTERY OPERATION

IMPORTANT NOTES ON CHARGING

Battery charge status can be seen on the LCD display of the control box.

The LCD Display: there are 4 bars on the display.



- 4 bars: fully charged
- 3 bars: 50% to 75%
- 2 bars: 25% to 50% - battery pack should be charged.
- 1 bar: 0% to 25% - stop using the lift and charge the battery pack.

For maximum battery life, charge batteries regularly. We recommend charging each night.

Maximum charge is obtained after about 6 hours. Once the battery is fully charged, the charger automatically disconnects. Leaving the battery in the charger with the charger plugged in will not damage the battery.

When the battery is being charged, an amber light will be lit on the control box. When this light goes off, the battery is fully charged.

If the amber light stays on for more than 8 hours, the battery probably needs to be replaced.

When the lift is not in continuous use, the emergency stop button should be pressed in to conserve battery power. Make sure the battery is fully charged prior to pressing in the stop button for lift storage.

Avoid unplugging the hand control and motor from the control box. Frequent plugging and unplugging of the hand control and motor to and from the control box may damage the control box.

***The Medline MDS450EL will not operate while the batteries are being charged.**

Charging the Batteries

BUILT-IN CHARGER ON LIFT:

1. Make sure the battery box red reset/emergency stop button is "ON" (i.e. the red button is out).
2. Insert the charger power cord into the Outlet 4 on the control box.
3. Plug the charger to the power supply wall outlet.
4. Check the both lamps light. The yellow light indicates the battery is charging. This will turn off once fully charged. The green light indicates power to the control box.
5. If charging the battery on the lift, unplug the charger FIRST before using the lift.




External Charging Unit Control Box (wall mounted):

1. Remove the battery pack from the control box on the lift.
2. Check to ensure the external charging unit is plugged into a wall outlet.
3. Place the battery pack on the wall mounted charging unit.
4. Check the both lamps light. The yellow light indicates the battery is charging. This will turn off once fully charged. The green light indicates power to the control box.



ELECTRICAL EMERGENCY LOWERING

In case of a failure of the hand control unit, the lift can be lowered electrically.

Locate the Emergency  on the front of the control box...

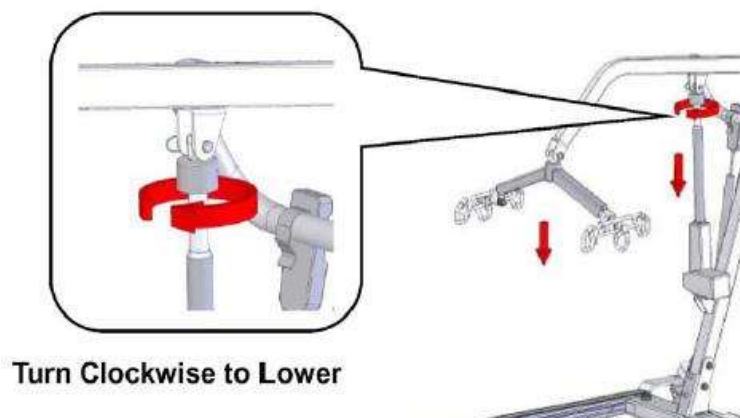


Using a narrow object such as a ball point pen, press the hole after the word EMERGENCY. The lift should begin to lower electrically. Release when the lift has been lowered sufficiently to remove the patient from the lift.

MANUAL EMERGENCY LOWERING MECHANISM

In case of a power failure while using the Medline MDS450, please follow this procedure to complete the intended lift and transfer.

The Emergency Lowering Device is located at the top of the actuator shaft. It is intended for use should the actuator fail to operate while a patient is suspended. The device is a plastic collar ring. Turn this clock wise continually until the patient has been lowered.



EMERGENCY STOP

To Activate: Push the red Emergency Stop Button in on the control box.

To Reset: Turn the button in the direction of the arrows until the button pops out.



CAUTION:

DO NOT USE THE LIFT FOR TRANSFERRING PATIENTS UNTIL ALL FAILURE ISSUES HAVE BEEN SAFELY AND COMPLETELY RESOLVED.

The Emergency Lowering Device is intended for lowering only during lift failure. The lift is not to be used to transfer patients using the Emergency Lowering Device once the patient has been safely lowered and removed from the lift.

Should standard troubleshooting techniques fail to correct the lift and lower functions take the lift out of service and call your dealer immediately for assistance. Do not attempt further lifts until the lift is working properly.

LIFTING TECHNIQUES

NOTE: Turn the lift “ON” by turning the red “RESET” button clockwise until it pops out. Turn the lift “OFF” by pressing down the “RESET” button.

Transfer From Bed

- To start, the patient is laying flat and on their back in the center of the bed.
- Roll the patient onto one side with the assistance of another caregiver.
- Fold the sling in half. The handle on the back section should face outward when the sling is fitted.
- Position the sling under the patient so the commode aperture or “U” shaped cut-out aligns with the base of the spine and top of the sling close to the neck.
- Roll the patient onto the opposite side and position him/her on the flat section of the sling.
- The second caregiver can now pull the remainder of the sling from the other side of the patient so that the sling lays flat.

- Roll the patient onto their back so that they are lying on top of the sling.
- If possible, elevate the head section of the bed.
- Once the sling has been positioned centrally, loop the leg sections under the thighs and draw them up between the thighs.
- Feed one leg section through the loop of the opposite leg section.
- Open the base legs and move the lift slowly towards the patient and position the spreader bar over the patient's chest.
- Lower the cradle to a point where the sling's loops can reach the cradle's hooks and attach the sling to the cradle hooks.
- Lift the patient above the bed by using the hand control.
- Pull lift away from bed and rotate the patient so that they are facing the back of the lift.
- Close the base and slowly move patient over the wheelchair (wheelchair wheels must be locked) or commode, opening the base for stability.
- Then lower the patient onto the surface by pressing the down button.

NOTE: Reverse the above procedure when returning the user/patient to bed.

Transfer from Wheelchair

- Grasp the sling at each corner of the "U" shape of the commode aperture.
- The sling should be fitted with the loop handle on the back facing outward.
- Help the patient lean forward slightly, then slide the sling down between the chair and the patient's back.
- Position the commode aperture where the buttocks meet the seat.
- Position the sling equally around both sides of the body.
- Draw the leg sections to the front along the side of the patient's thigh.
- Check the sling's central positioning by comparing the lengths of the leg sections when they are drawn forward.
- Reposition the sling if the leg sections are not equal in length.
- Feed the leg sections under the thighs.
- From between the legs, gently pull the leg sections up the inner thigh.
- Cross one leg loop through the other and then position the lift and attach all sling loops as described in the "from the bed transfer" above.

Lift a Patient from the floor

When discovering a patient lying on the floor...

- ⚠ ENSURE the patient is not hurt
- ⚠ DO NOT move the patient if they are hurt
- ⚠ CONTACT a clinician to determine the next steps

- Place a pillow under the patient's head.
- Roll the patient onto one side with the assistance of another caregiver.
- Fold the sling in half. The handle on the back section should face outward when the sling is fitted.
- Position the sling under the patient so the commode aperture or "U" shaped cut-out aligns with the base of the spine and top of the sling close to the neck.
- Roll the patient onto the opposite side and position him/her on the flat section of the sling.

- The second caregiver can now pull the remainder of the sling from the other side of the patient so that the sling lays flat.
- Roll the patient onto their back so that they are lying on top of the sling.
- Once the sling has been positioned centrally, loop the leg sections under the thighs and draw them up between the thighs.
- Feed one leg section through the loop of the opposite leg section.
- Open the legs of the lift and move the lift over the patient.
- Lower the cradle over the patient's chest to a point where the sling's loops can reach the cradle's hooks.
- Attach the loops of the sling to the cradle
- Slowly lift the patient, ensuring that they move into a sitting position when in the air.

MAINTENANCE & INSPECTION

The operator of the lift is to inspect the Medline MDS450EL before each use. Check the following:

- Visually inspect the lift and check for external damage or wear
- Check all bolts and nuts are tight
- Check hand control and the lift and leg width movements function properly
- The locks on the rear caster can be engaged/disengaged
- The front casters swivel freely to insure maneuverability
- Batteries have sufficient charge to completely perform the transfer (see instructions on page 12)
- All the necessary items such as the sling and wheelchair, etc. are accessible and ready for use

At least once a month, the lift should be thoroughly inspected by a qualified technician to recognize any signs of wear, and/or looseness of bolts or parts. Replace any worn parts immediately.

To lubricate, place a drop of general purpose oil on the following points when the Medline patient lift is serviced and every month thereafter:

- Top of mast bolt connection
- Spreader bar hinge
- Caster axles

MAINTENANCE SCHEDULE

Always follow the maintenance and cleaning schedule closely and fully while including any specific state regulations should they apply. Keep a log book of maintenance times and work performed or parts replaced.

PERFORM EACH OF THE FOLLOWING IMMEDIATELY AFTER ASSEMBLY AND MONTHLY THEREAFTER:

Boom & Spreader Bar

- Check that spreader bar is firmly attached to boom.
- Check that boom is firmly attached to mast.
- Check for wear on pin securing spreader bar.
- Make sure spreader bar is free to rotate and swing.

- Check sling hooks on spreader bar for excessive wear.
- Make sure the boom is straight with no bends or deflections.

Mast

- Check mast is secured and bolted tight to the base.
- Make sure mast is straight with no bends or deflections.

Base Unit

- Make sure the lift rolls easily on its casters and the casters are firmly attached to base. If lift won't roll freely check caster surface for wear and replace if required. Lubricate caster axles at each maintenance session.

Electronic System

- Make sure control box is firmly attached to the mast.
- Check that actuator is firmly attached to boom and mast.
- Check that actuator cord is firmly inserted into the control box.
- Operate hand control to verify functions.
- Check battery levels and charge if required.
- Make sure the base legs open and close freely using the hand control.
- Attempt upward and downward lift to ensure actuator working properly.
- Raise the lift with the hand control and then lower using the Electrical Emergency Lower button on the control box.
- Check the operation of the red reset/emergency stop button.
- Listen for any warning beeps during testing and perform troubleshooting as required.

Slings

Check entire sling inventory for fraying, tearing or excessive wear of any kind and replace any worn or damaged slings with new Medline slings.

TROUBLESHOOTING

If, after going through the chart below, the lift will still not function, call Medline at 1-800-MEDLINE.

<u>Symptom</u>	<u>Checks</u>	<u>Actions</u>
Battery will not charge.	Check that the emergency stop button is not pushed in.	Rotate knob in the direction of the arrows. Ensure that the knob pops out.
	Check Battery Pack is inserted properly.	Re-Insert the Battery Pack.
	Check that the contact plate of the battery box is not defective or broken off.	Replace the battery Pack.
	Check power to the wall outlet.	Re-establish power to the wall outlet.
	Check charging cord is connected properly to the Control Box/Charger.	Re-connect the power cord to the Control box/Charger.
	Check fuse inside of Battery Box.	Replace fuse if blown.

There is a beeping noise.	Check battery > 50 % charge.	Charge battery.
---------------------------	------------------------------	-----------------

No electric functions will operate. The lift cannot be raised/lowered and the legs cannot be opened/closed.	Check that the emergency stop button is not pushed in.	Rotate knob in the direction of the arrows. Ensure that the knob pops out.
	Check the cables to the control box are connected correctly.	Connect cables per instructions in section SETTING UP THE BATTERY PACK on Page 8.
	Check the charging cable is not plugged into the wall outlet.	Unplug the charging cable from the wall outlet.
	Check the battery is charged.	Charge the battery.
	Check the contact plate of the Battery Pack is not defective or broken off.	Replace the Battery Pack.

The lift stops moving when elevated.	Check that the emergency stop button did not get pushed in.	Rotate knob in the direction of the arrows. Ensure that the knob pops out.
	Check motor has power.	Use the electrical emergency lowering device to safely lower the patient.
	Check no power to motor.	Use the mechanical emergency lowering device to safety lower the patient.

<u>Symptom</u>	<u>Checks</u>	<u>Actions</u>
The actuator will either go up or down, but not both.	If lift is elevated, check that it can be lowered using the electrical emergency lowering device.	If the electrical emergency lowering device functions properly, replace the hand control.
	Test hand control on another lift if possible.	If hand control functions properly on another lift, replace control box. If hand control does not function properly on other lift, replace hand control.

LIMITED WARRANTY

The Medline MDS450 you purchased is guaranteed by Medline to be free from defects in material and workmanship under normal use and service. The warranty period for this product is three years for the base and frame assembly and three years for the electronic components including the actuator. Internal replacement batteries are warranted for twelve months.

This warranty shall be voided upon transfer of ownership of this product. Medline agrees to repair or replace this product, at our discretion and at no charge, within the warranty period provided the product is delivered to Medline or its Authorized Service Center in its original packaging or equivalent; is fully insured with all shipping charges prepaid; and that Medline consents the unit is defective. The repaired or replacement unit shall be warranted for a period equal to the balance of the defective unit's warranty period. A handling charge of \$50.00 will be applied to any returned product proven to be NOT defective. For warranty service, please contact the dealer from whom you purchased your Medline Lift product. You may also contact Medline at **1-800-MEDLINE** should warranty service not be available from your dealer.

NOTE: You must never return the product to your dealer or to Medline at any time without the verbal consent of either party. To ensure the best service to our customers, Medline requires the following information to be included with the returned unit:

1. Model Name/Number and Serial Number on the packaging.
2. Proof of purchase, i.e. copy of the original invoice from either Medline or its dealer.
3. A Return Authorization number (RA#) obtained by calling Medline prior to the return of the product. The RA# must be clearly indicated on the outside of the packaging;
4. A detailed description of the problem and its symptoms on a note.

This warranty shall not apply to any product which has been repaired or altered in any way so as, in our judgment, to affect its functionality and durability, nor to any product subject to abuse, misuse, negligence or accident, improper maintenance, improper installation, nor to any product used with other parts, components and/or accessories with quality and/or specifications not compatible with this product. This warranty does not cover products that have been impaired by occurrences considered Acts of God over which Medline has no control. This warranty shall also be voided if any required periodic maintenance, if applicable, has not been properly performed on this product.

This warranty and the aforementioned remedies presented are exclusive and in lieu of all other express or implied warranties. No other representatives or claims shall be binding or obligate Medline in any way. Any warranty applicable to this product is limited to the aforementioned period indicated. In no event shall Medline be liable for any special, incidental, or consequential damages; loss of revenue; or cost of replacement goods; resulting from the use or malfunction of this product to the associated equipment on which and with which it is used. This warranty gives specific legal rights and you may be entitled to other rights that vary from state to state.

MEDLINE PATIENT LIFT MAINTENANCE RECORD

LIFT MODEL:

SERIAL NUMBER:

DATE	SERVICE PERFORMED	PARTS APPLIED/ REPLACED	MAINTENANCE PERFORMED BY