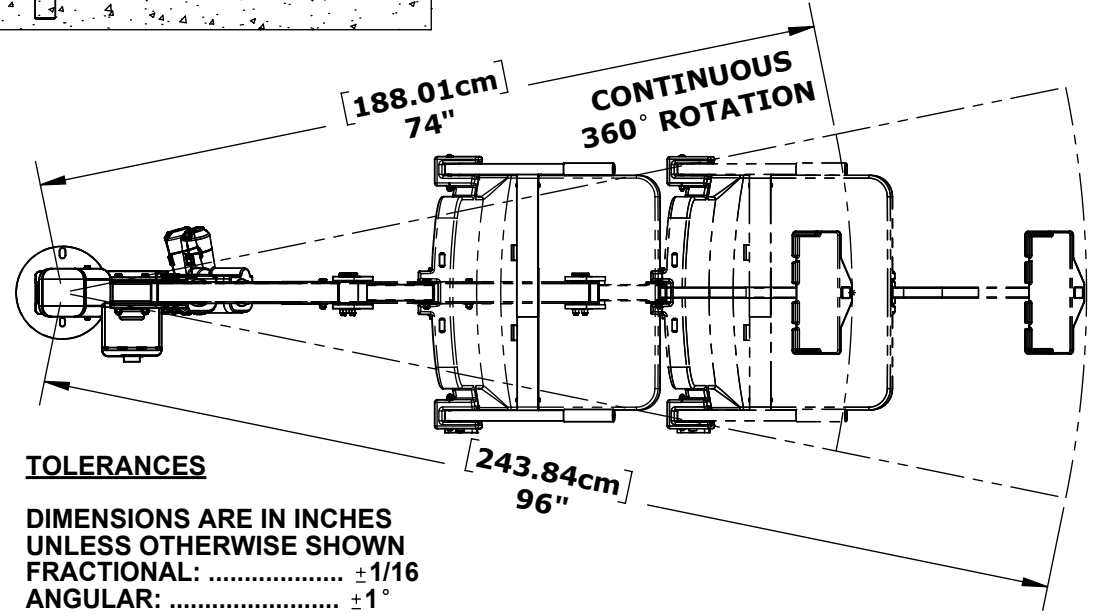
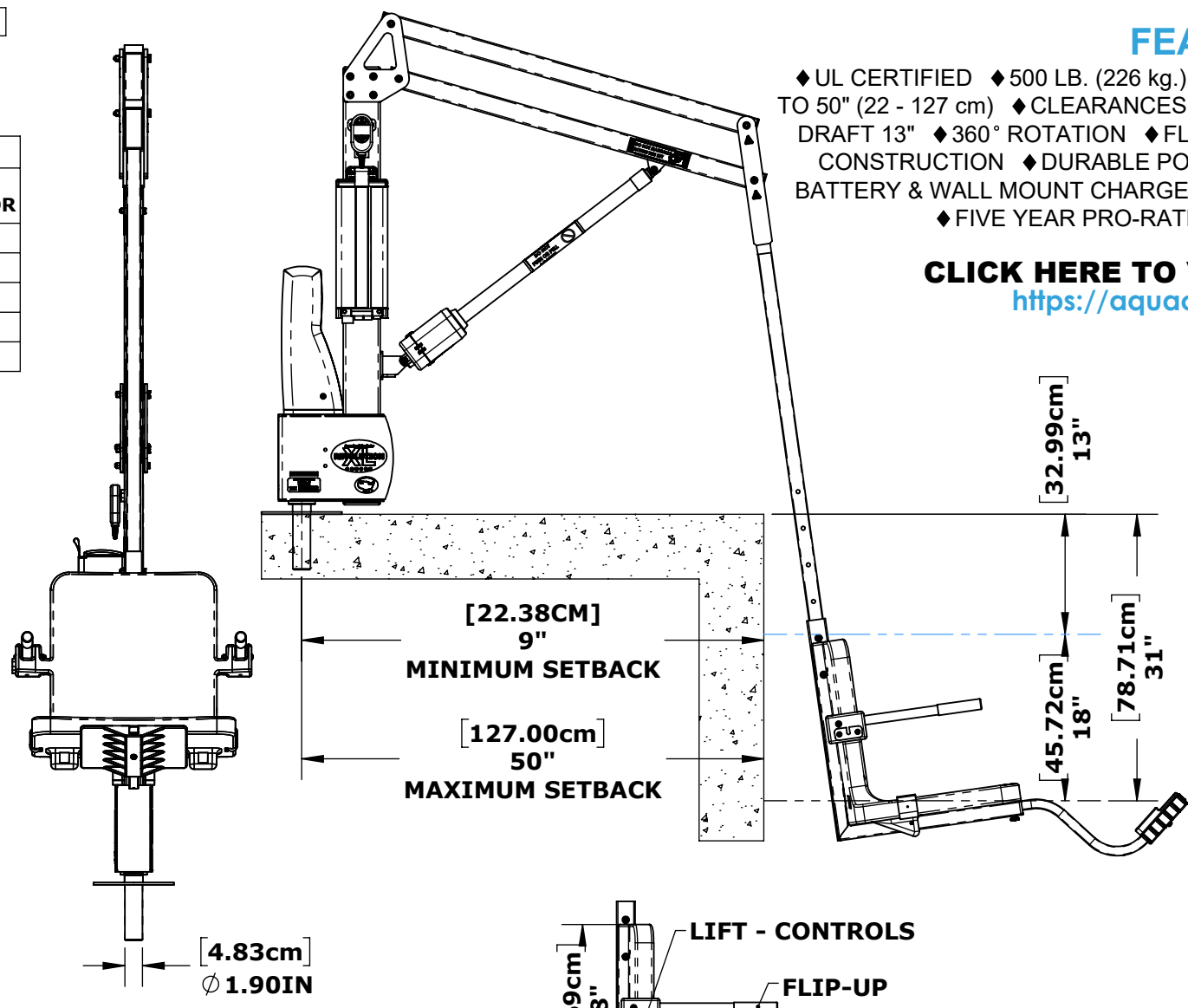
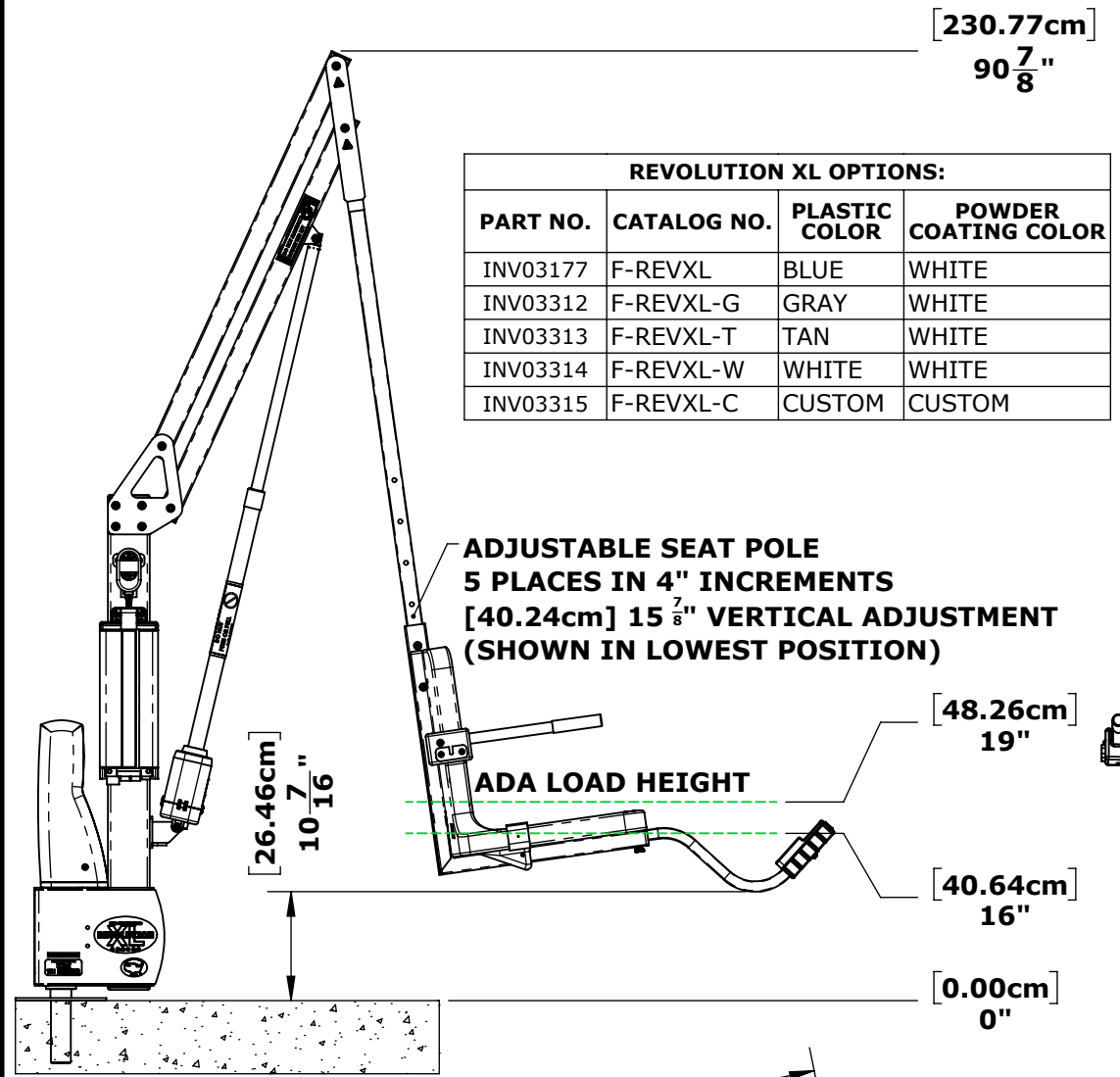


**FEATURES**

- ◆ UL CERTIFIED ◆ 500 LB. (226 kg.) WEIGHT CAPACITY ◆ SETBACK RANGE 9" TO 50" (22 - 127 cm) ◆ CLEARANCES VARY BY WALL HEIGHT & WIDTH ◆ WATER DRAFT 13" ◆ 360° ROTATION ◆ FLIP UP ARMREST ◆ ALL STAINLESS STEEL CONSTRUCTION ◆ DURABLE POWDER COAT FINISH ◆ RECHARGEABLE BATTERY & WALL MOUNT CHARGER ◆ FIVE YEAR STRUCTURAL WARRANTY ◆ FIVE YEAR PRO-RATED ELECTRONICS WARRANTY

**CLICK HERE TO VIEW THIS PRODUCT:**  
<https://aquacreekproducts.com>



**TOLERANCES**  
DIMENSIONS ARE IN INCHES UNLESS OTHERWISE SHOWN  
FRACTIONAL: ..... ±1/16  
ANGULAR: ..... ±1°  
TWO PLACE DECIMAL: .... ±.01  
THREE PLACE DECIMAL: ... ±.005

**BREAK & DEBURR ALL SHARP EDGES**

**REVOLUTION XL  
F-REVXL  
PART NO. INV03177**

**MATERIAL: 304 STAINLESS STEEL  
FINISH: POWDER COAT - WHITE  
APPROX. WEIGHT: 206.69 LBS.**



**9889 GARRYMORE LANE  
MISSOULA, MT 59808  
(406) 549-0769  
FAX (406) 549-2602  
www.AquaCreek.com**

**PROPRIETY AND CONFIDENTIAL INFORMATION**  
THIS DRAWING AND ALL INFORMATION CONTAINED HEREIN IS THE SOLE PROPERTY OF AQUA CREEK PRODUCTS LLC. ANY REPRODUCTION IN PART OR AS A WHOLE WITHOUT WRITTEN PERMISSION FROM AQUA CREEK IS PROHIBITED.  
\*SPECIFICATIONS ARE SUBJECT TO CHANGE WITHOUT NOTICE

REVISIONS			
REV.	DESCRIPTION	DATE	APPROVED
P1	INITIAL RELEASE	1/5/2023	J.MAXWELL