

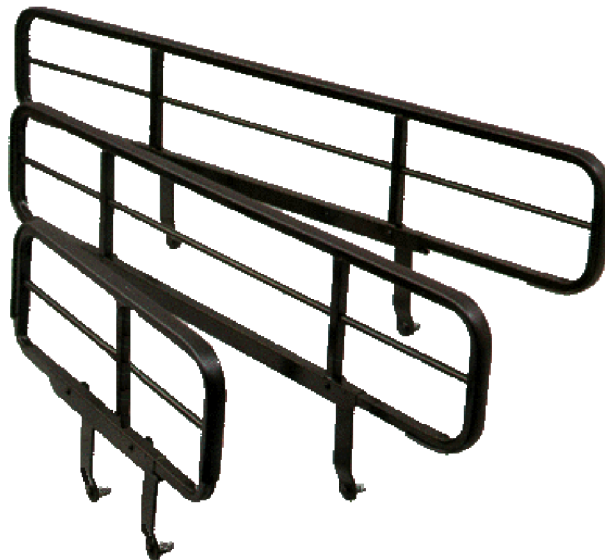


User-Service Manual

Joerns® Assist Device and Side Rails

Vari-Care Models

To avoid injury, read user's manual before using.



Joerns® Assist Device and Side Rails Vari-Care Models

Important Precautions

⚠ Warning: Risk of Serious Injury or Death. These products are intended for use with Joerns® bed models B530, B330, FreeStyle®, Easy Care® 2000-2004, Easy Care 3, 5, 7, 9, Care 100 and EasyCare. Use of these products on any bed they were not designed for could result in an unproven or unsafe configuration, potentially resulting in serious injury or death. For questions regarding compatibility, contact your Joerns representative.

⚠ Warning: Risk of Serious Injury or Death. Use a properly sized mattress in order to minimize the gap between the side of the mattress and the Vari-Care assist device or side rail. This gap must be small enough to prevent a resident from getting his/her head or neck caught in this location. Make sure that raising or lowering the bed, or adjusting the sleep surface, does not create hazardous gaps. Failure to do so could result in serious injury or death.

⚠ Warning: Risk of Serious Injury or Death. Properly locate the mounting brackets. The gap between the head/foot panel and the Vari-Care assist device or side rail must be small enough to prevent a resident from getting his/her head or neck caught in this location (see the installation instructions for more information, if applicable). If multiple assist devices are needed, position them such that the gap between them is large enough that the trunk and hips can easily pass through. Make sure that raising or lowering the bed, or adjusting the sleep surface, does not create hazardous gaps. Vari-Care assist devices or side rails should not be used if ANY openings within the bed system allow a resident to get his/her head or neck lodged within these openings. Failure to do so could result in serious injury or death.

⚠ Warning: Risk of Serious Injury or Death. Do not use the Vari-Care assist device as an assist until you have verified that it is up AND locked. Injury to resident or caregiver may result if this procedure is not followed.

⚠ Warning: An optimal bed system assessment should be conducted for each resident by a qualified clinician or medical provider to ensure maximum safety of the resident. The assessment should be conducted within the context of, and in compliance with, the state and federal guidelines related to the use of restraints and bed system entrapment guidance, including the *Clinical Guidance for the Assessment and Implementation of Side Rails* published by the Hospital Bed Safety Workgroup of the U.S. Food and Drug Administration. Further information can be obtained at the following web address: <http://www.fda.gov/MedicalDevices/ProductsandMedicalProcedures/GeneralHospitalDevicesandSupplies/HospitalBeds/default.htm>

Maintenance/Inspection Information: Visually inspect the assist handle and mounting bracket, and check for loose hardware on a monthly basis. Tighten loose hardware as stated in the installation instructions.

⚠ Warning: In the event worn or broken part(s) are identified, remove the device from service until repairs are made.

Note: The Vari-Care assist devices are intended for use as an aid in entering or exiting the bed sleep area, as well as a stable handhold during self positioning within the sleep area.

Note: The Vari-Care side rails are intended to provide a physical indication of the bed edge, as well as a stable handhold during self positioning within the sleep area.

Joerns assist devices or side rails are designed to be used with specific Joerns bed frames. Once mounted on the appropriate bed frame, assist devices or side rails become an integral part of the Joerns bed system. As such, these mounted assist devices or side rails can handle the same safe working load, within normal use conditions, of the appropriate bed to which they are mounted.

When assessing the risk for entrapment, you need to consider your bed, mattress, head/foot panels, assist devices and other accessories, as a system. It is also extremely important to review the resident's physical and mental condition and initiate an appropriate individual care plan to address entrapment risk. All Joerns bed systems are evaluated for compliance to the FDA/CDRH "Hospital Bed System Dimensional and Assessment Guidance to Reduce Entrapment."

Table of Contents

Important Precautions	2
Entrapment Information	3
Assist Device/Side Rail Options	4
Bed Compatibility.....	5
Installation Instructions	6
Warranty	12

Joerns Side Rails/Assist Devices should be assembled, installed, utilized and maintained in the manner described in their accompanying Joerns User/Service Manual. The instructions for use of these devices also list the bed type or model with which they may be used.

This product is only one part of your healthcare bed system. Proper combinations of mattress, head/foot panels and assist devices are needed to minimize the risk of entrapment. For more information, call Customer Care, 800-826-0270.

Save These Instructions

Thank you and congratulations for choosing Joerns Vari-Care assist devices and side rails. Joerns Assist Devices are developed with safety, comfort and convenience of both residents/patients and caregivers in mind.

Advanced ergonomic design will provide years of reliable service in your facility.

Bed System Entrapment Information

Although essential in the practice of long-term care, bedside rails, in recent years, have also been a subject of regulatory review and evolution in design and use.

That focus includes not only the challenge of achieving an appropriate balance between resident security and unnecessary restraint, but also the additional safety issue of entrapment.

The U.S. Food and Drug Administration (FDA), working with our company and other industry representatives has addressed the potential danger of entrapment with new safety guidelines for medical beds. These guidelines recommend dimensional limits for critical gaps and spaces between bed system components.

Entrapment zones involve the relationship of components often directly assembled by the healthcare facility rather than the manufacturer. Therefore, compliance is the responsibility of the facility.

As the leading manufacturer of long-term care beds and a frontrunner in addressing this critical issue, Joerns Healthcare can offer you the expertise, assistance and products to bring your facility into compliance.

Joerns Compliance Solutions

Matching the right bed components in order to meet regulatory guidelines can be complex.

That is why Joerns offers a wide array of compliance options. We assist customers in selecting compliant accessories recommended for their specific bed model.

Creating a Safer Care Environment

While the guidelines apply to all healthcare settings, (hospitals, nursing homes and at home), long-term care facilities have particular exposure since serious entrapment events typically involve frail, elderly or dementia patients.

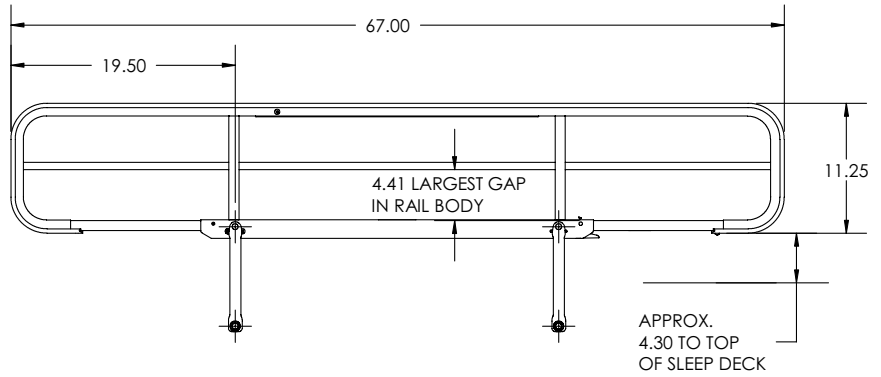
For More Information

To learn more about compliance options with Joerns products, visit our website at www.joerns.com, or contact our Customer Care reps at 800-826-0270 and ask for free informational publications.

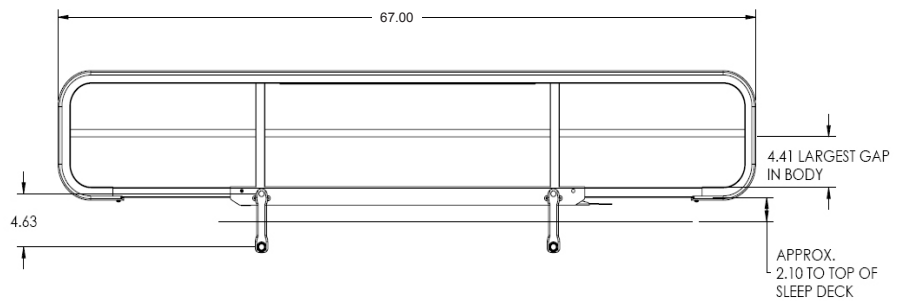
To learn more about entrapment zones, assessment methods and guidelines concerning entrapment, contact Joerns Healthcare at 800-826-0270 or consult the FDA website: <http://www.fda.gov/MedicalDevices/ProductsandMedicalProcedures/GeneralHospitalDevicesandSupplies/HospitalBeds/default.htm>.

Matching Side Rail Options to your Beds

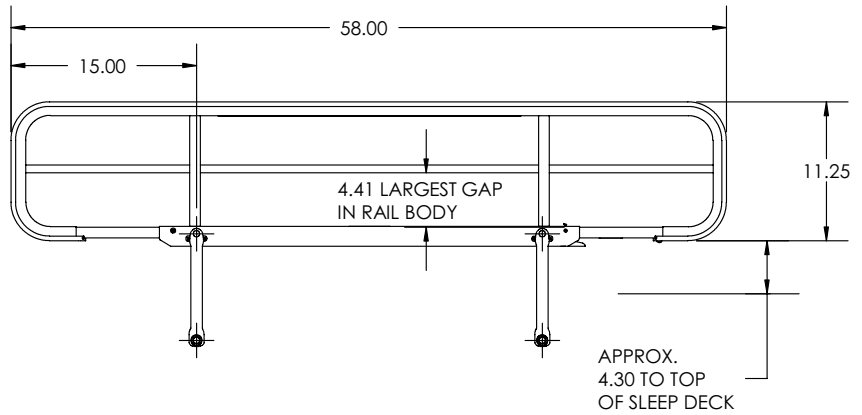
F16C



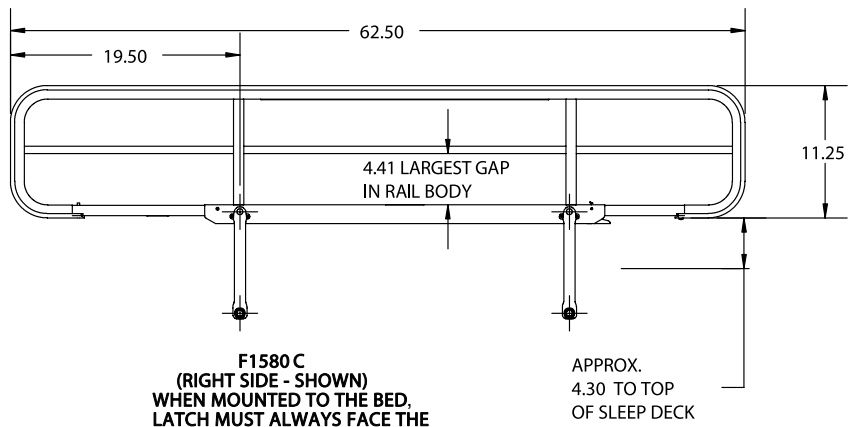
F168



F1576C
(for 76" beds)

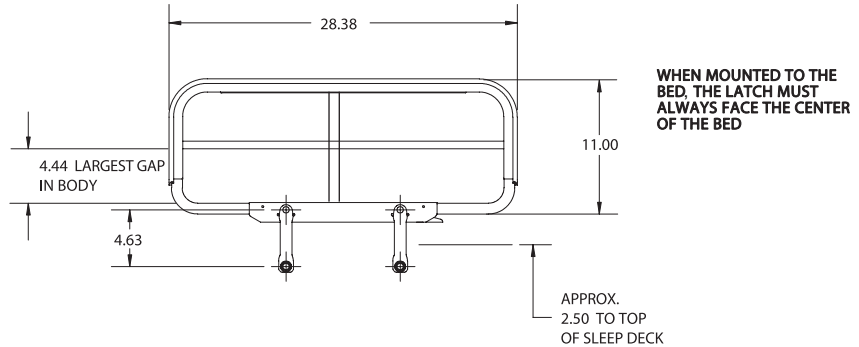


F1580C
(for 80" beds)



Matching Assist Device Options to your Beds

F14SC



Choosing the Right Vari-Care Product

Vari-Care Products

Model #	F14SC	F1580/76C	F16C	F168
Description	Assist Device	3/4 Rail	Full Rail	Full Rail
B530	Y	N	N	Y
B330	Y	N	N	Y
Easy Care® 2000-2004	Y	Y	Y	N
FreeStyle	Y	N	N	N
Easy Care 3, 5, 7, 9	Y	N	N	N
Care 100	Y	N	N	Y
EasyCare	Y	N	N	N

Warning: F1580C, F16C must only be installed on 80" beds. Failure to do so could result in serious injury or death.

Y = Recommended Combination N = Not Recommended Combination

* For older model beds, contact product service

* Joerns Healthcare recommends the use of a support surface with minimum dimensions of 35" in width by 6" in depth. Support surfaces used in conjunction with beds should be properly evaluated relative to state and federal guidelines.

Instruction Guide

Vari-Care Installation Instructions

Kit	Description	B530,B330	EC 2000-2004	FreeStyle	ECS 3, 5, 7, 9	Care 100	EasyCare
F14SC	Assist Device, Vari-Care Deluxe	Page 6	Page 6	Page 7	Page 11	Page 11	Page 11
F1580C	Side Rail, ¾-80" Deluxe		Page 6				
F1576C	Side Rail, ¾-76" Deluxe		Page 6				
F16C	Side Rail, Full Deluxe		Page 6				
F168	Side Rail, Full Deluxe	Page 7				Page 7	

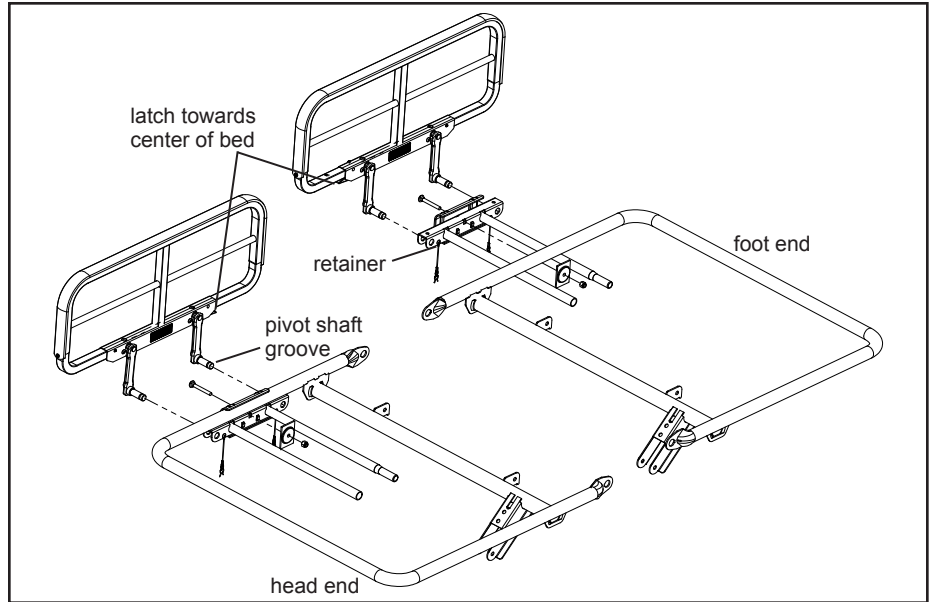
Vari-Care Mounting Kit Installation Instructions

Kit	Description	B530,B330	EC 2000-2004	FreeStyle	Care 100
N832	Rail Mount	Page 7			Page 7

F14SC

For FreeStyle Bed

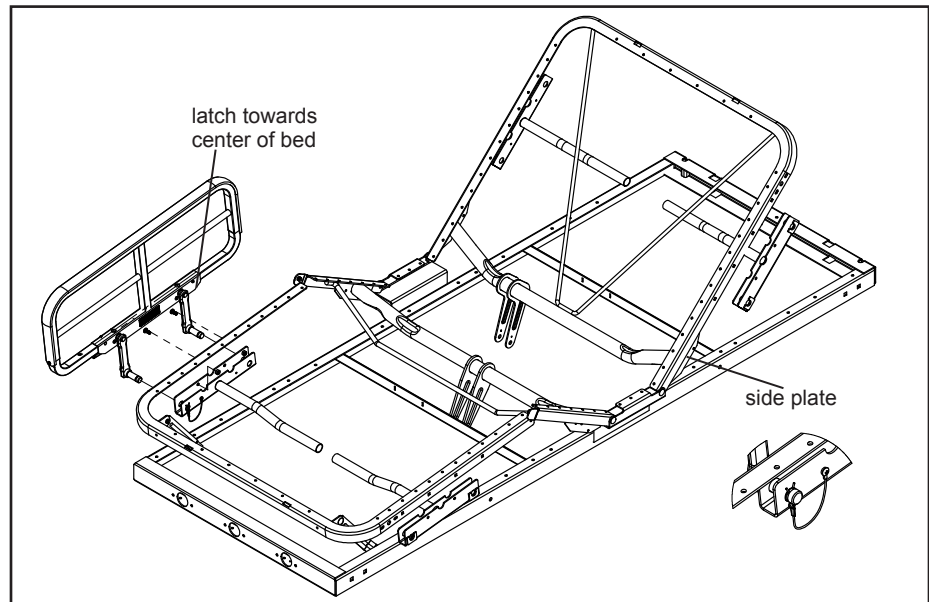
Note: Latch must face the center of the bed.



F14SC

For B530, B330 and EasyCare 2000-2004

Note: Latch must face the center of the bed.



F1580C/F1576C/F16C

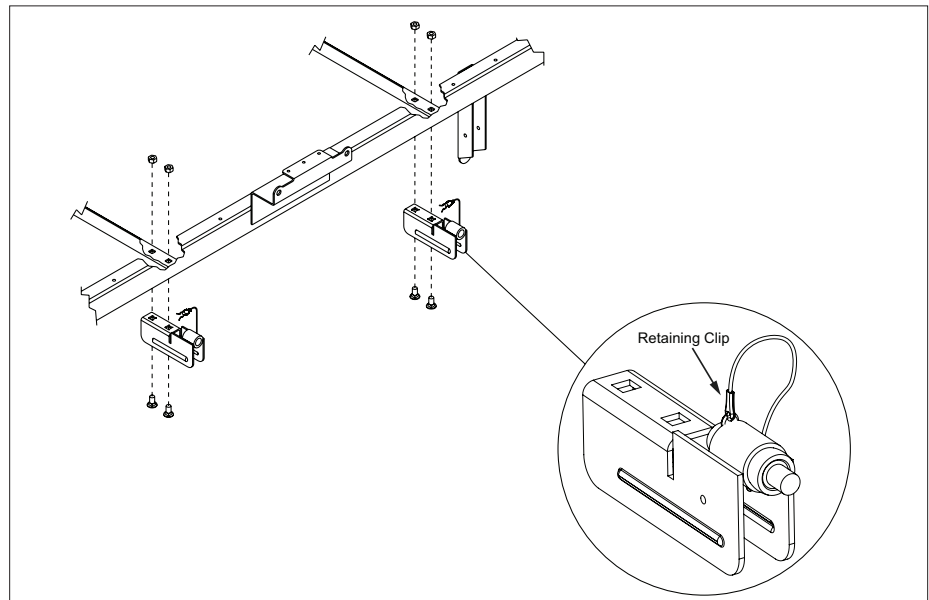
for 80" EasyCare 2000-2004

Note: Latch must face the foot end of the bed.

F1576C

For 76" EasyCare 2000-2004

Note: Latch must face the foot end of the bed.



N832 Full Rail Mount Kit

Note: Add “AL” suffix to part numbers for soft tone painted parts. Add “BN” suffix to raven brown painted parts.

Model F168

For Joerns® Bed Models B530, B330, Care 100

Item	Part #	Description	Qty
1	31008989	Rail Mount	4
2	12543183	5/16-18 Hex Hd Bolts	16
3	12673101	5/16-18 Hex Nuts	16
4	24005271	Retaining Clip	4
5	12551015	10-32 x 1/4" Screw	4
6	F168 Not included in N832 Full Rail Mount Kit. Shown for reference only		

Suggested tools: (2) ½" wrench or socket

Installation Instructions

1. Raise the back and foot sections of the bed as shown in Figure 1. You may also raise the bed frame to a comfortable working height if necessary.
2. Depending on the bed model, locate the frame cross member at the head end of the bed frame as shown in Figures 2 and 3 (page 8). The orientation of the alignment labels will depend on bed model. If you are unsure of the bed model locate the Product ID label, usually located on the left side of the bed frame.

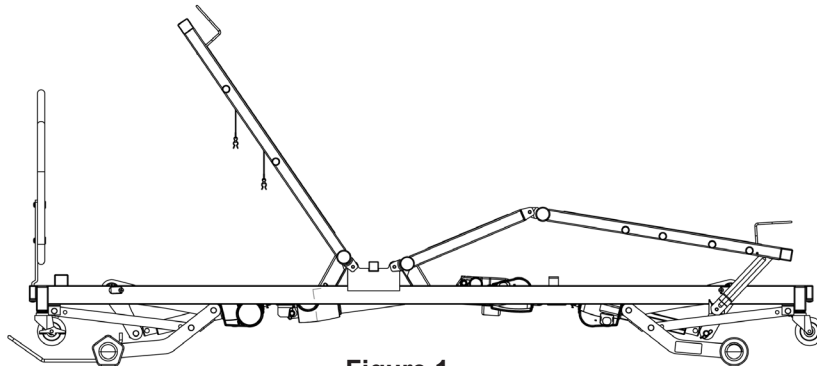


Figure 1

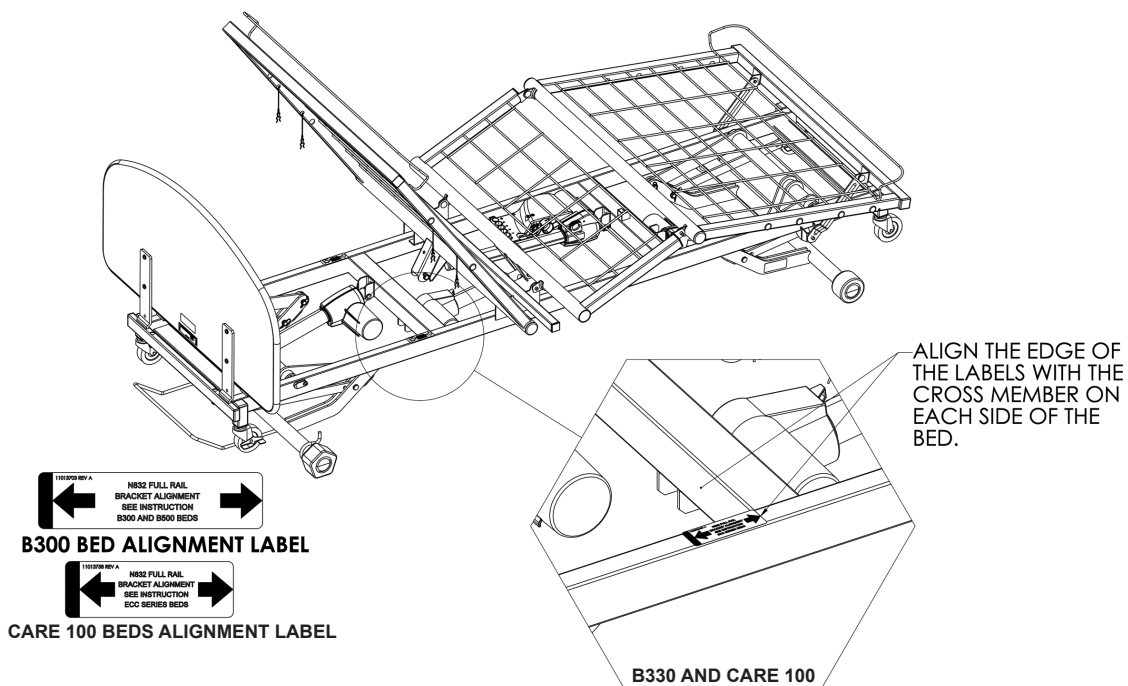


Figure 2

Joerns® Assist Device and Side Rails Vari-Care Models

- Once the proper cross member has been located, locate the proper alignment labels for the model of bed you have. See Figure 2 (page 7) or Figure 3 for clarification. Apply the label according to the illustrations. When complete, there should be an alignment label on each side of the frame, aligned with the cross member located closest to the head panel.

- Figure 4 shows a general assembly instruction. Be sure to follow the assembly sequence as illustrated. The bolts must be inserted from the inside of the frame out, and the nuts must be fastened to the outside plate as shown.

Important Note: When attaching brackets, ensure that wires are not caught between the brackets and the frame.

ALIGN THE EDGE OF THE LABELS WITH THE CROSS MEMBER ON EACH SIDE OF THE BED.

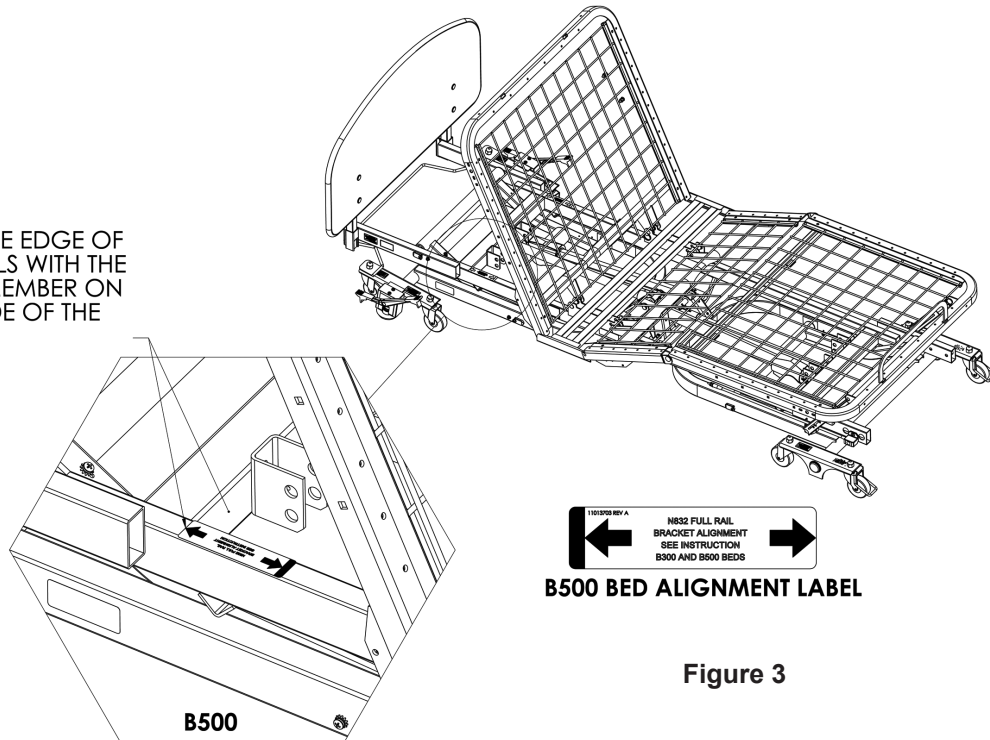


Figure 3

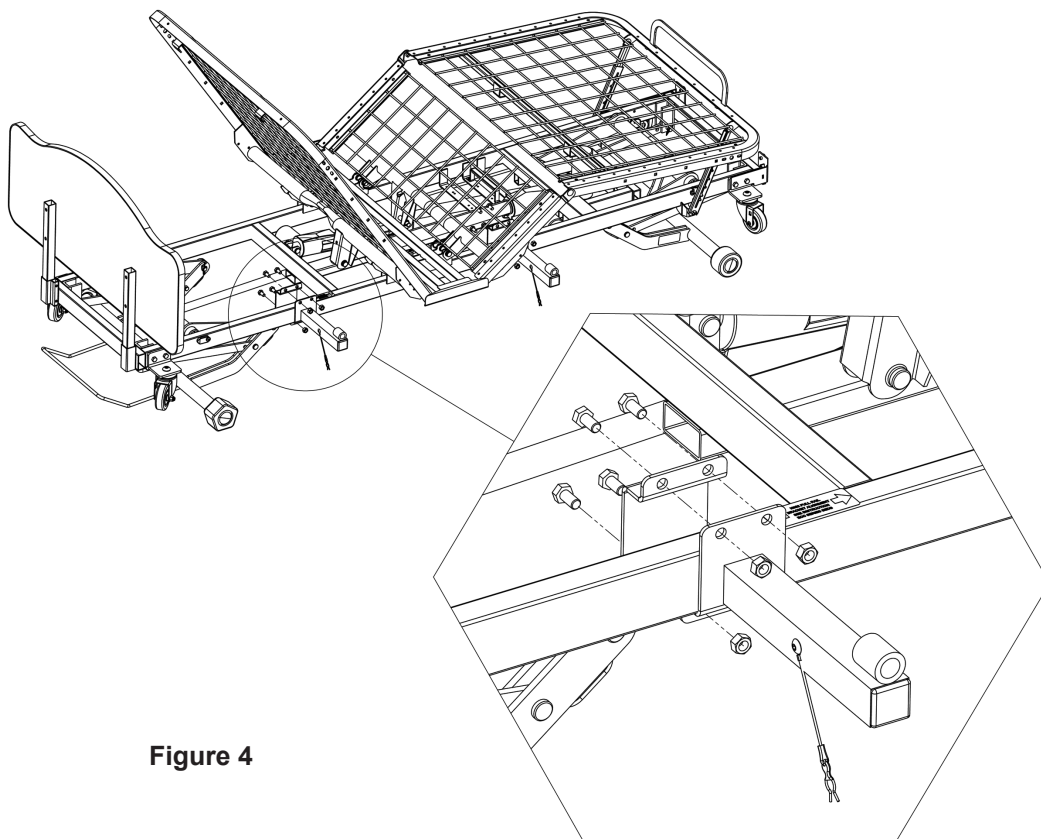
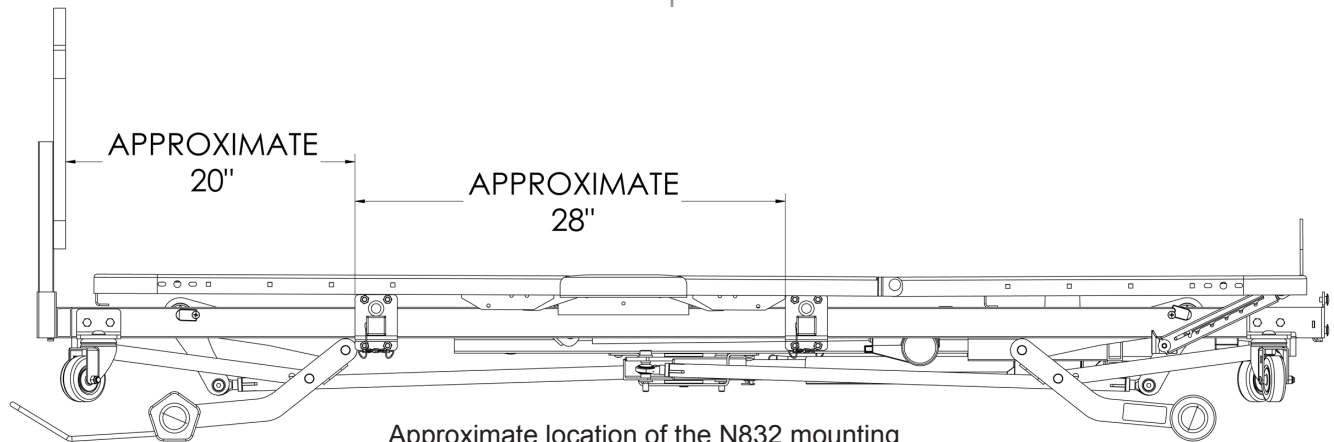


Figure 4

5. Temporarily locate the brackets per Figure 5. Brackets should be loosely assembled on both sides of the bed frame in the head and foot positions. Do not tighten the brackets to the frame until the next step.

6. Position the head end brackets over the location labels. Ensure that the edge of the bracket is flush with the arrow and is covering the black stripe fully. The B500 will align to the opposite edge of the bracket as shown in Figure 6. Tighten the bolts and nuts fully.



Approximate location of the N832 mounting brackets on B300, B500 and Care 100. **This is not the final fixed location.**

Figure 5

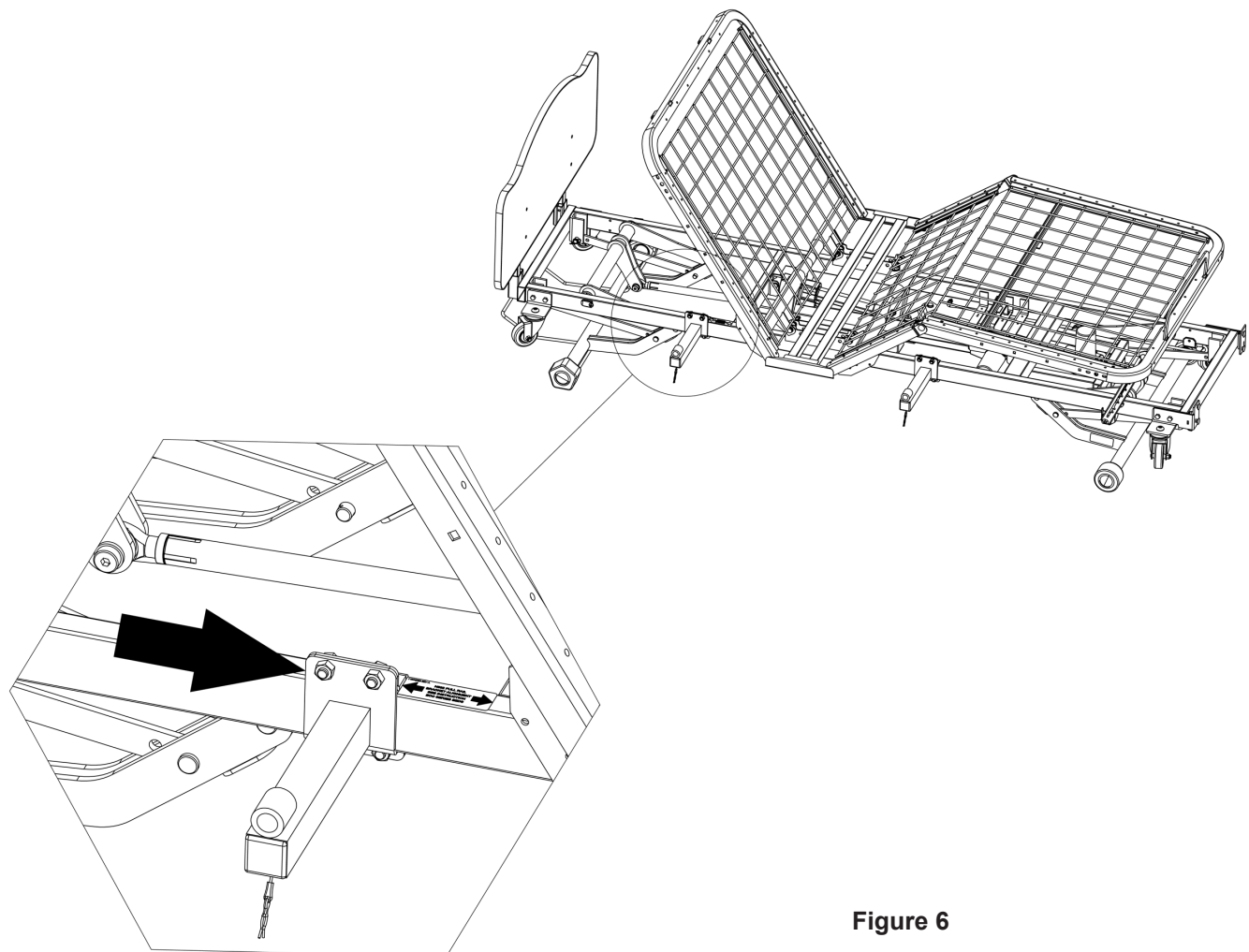


Figure 6

Joerns® Assist Device and Side Rails Vari-Care Models

7. Insert the F168 rail as shown in Figure 7. Begin with the head end bracket. With assistance, line the foot end bracket up with the rail mounting stud on the foot end of the rail. Insert the rail as you did with the head end and tighten the foot end brackets to the frame rail.
8. Before use, ensure that the retaining clips are in place and secure (Figure 8).

Warning: Use only the F168 Rails with the N832 Full Rail Mount Kit

Warning: Risk of Serious Injury or Death. Do not use the device as an assist if the hand grip area is wet. A wet surface may lead to the resident's hand slipping on the assist device and result in injury or death.

Warning: In the event that a ground wire is disconnected during installation, RECONNECT IT NOW!

Maintenance/Inspection Information: Visually inspect the assist handle and mounting bracket, and check for loose hardware on a monthly basis. Tighten loose hardware as stated in the installation instructions.

Warning: In the event worn or broken part(s) are identified, remove the device from service until repairs are made.

Note: Assist devices are made for right or left side of bed as viewed from the foot of the bed. The latch on both sides must face the foot end of the bed.

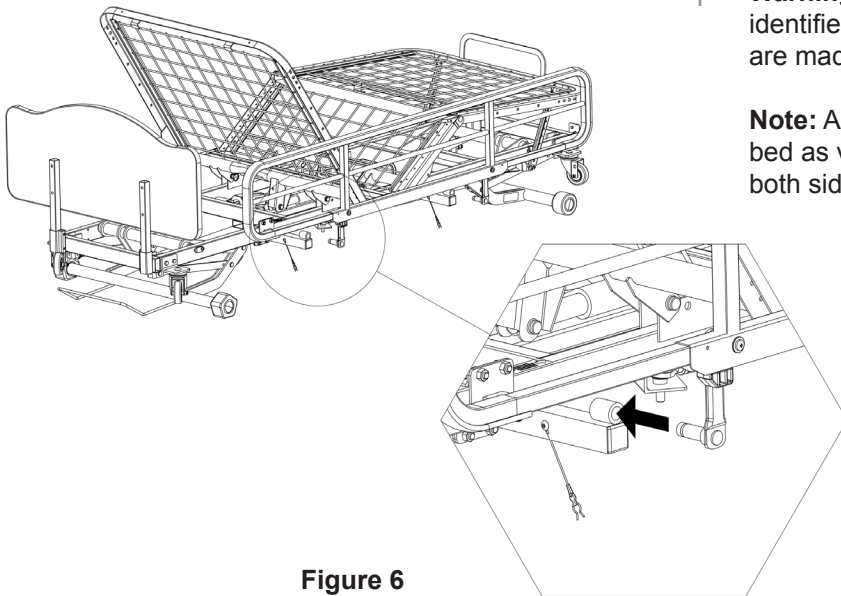


Figure 6

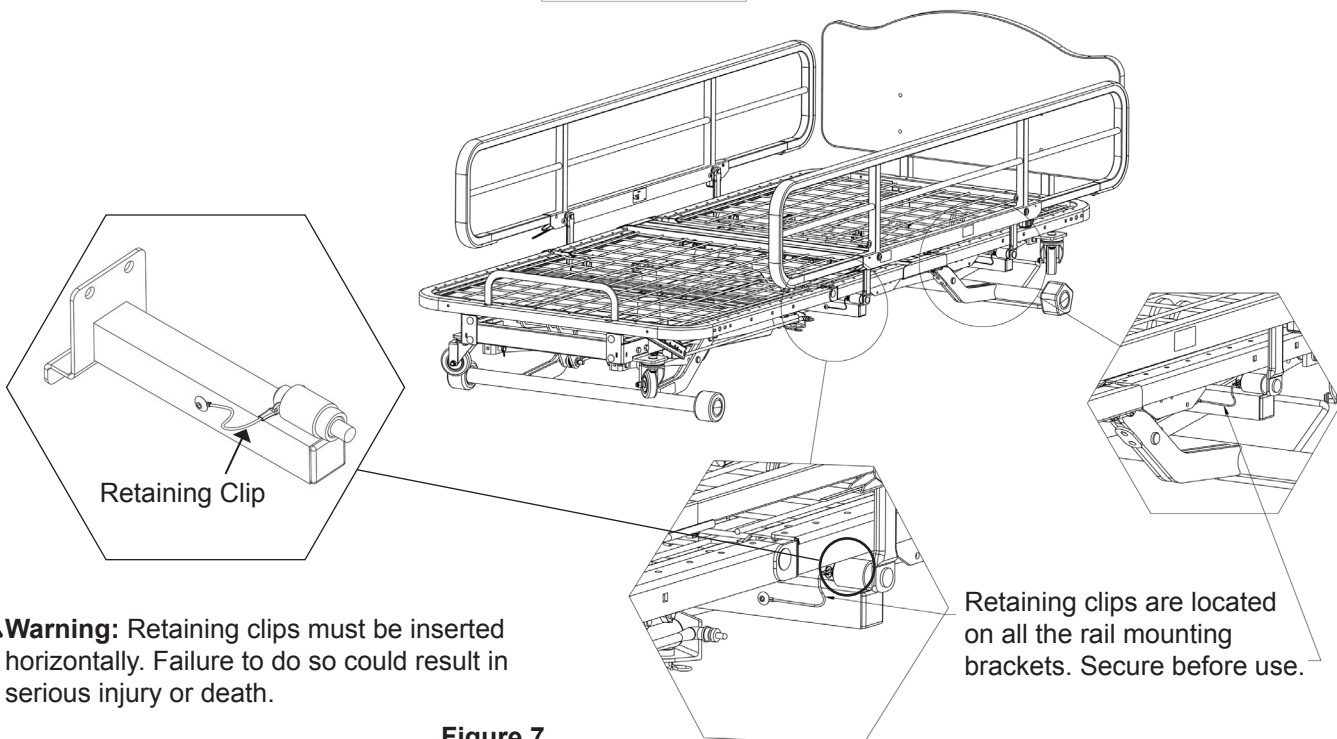


Figure 7

Warning: Retaining clips must be inserted horizontally. Failure to do so could result in serious injury or death.

Retaining clips are located on all the rail mounting brackets. Secure before use.

Model F14SC

For Joerns® Bed Models Easy Care® 3, 5, 7, 9, Care 100, and EasyCare

1. Remove plugs from holes as shown in Figure 19 for 80" bed and Figure 20 for 76" bed.
2. Insert the side rail in holes A, B, C, and D for 80" bed (Figure 21) and in holes E, F, G, and H for 76" bed (Figure 22).
3. Attach mounting clips from the bed to the side rail.

Maintenance/Inspection Information: Visually inspect the assist handle and mounting bracket, and check for loose hardware on a monthly basis. Tighten loose hardware as stated in the installation instructions.

Warning: In the event worn or broken part(s) are identified, remove the device from service until repairs are made.

Note: Assist devices are made for right or left side of bed as viewed from the foot of the bed. The latch on both assist devices must face toward the center of the bed, so they operate properly.

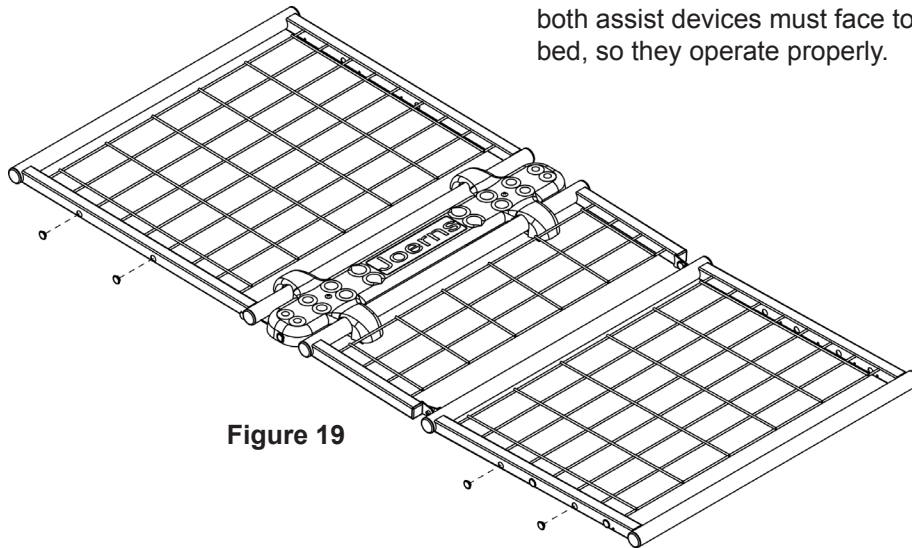


Figure 19

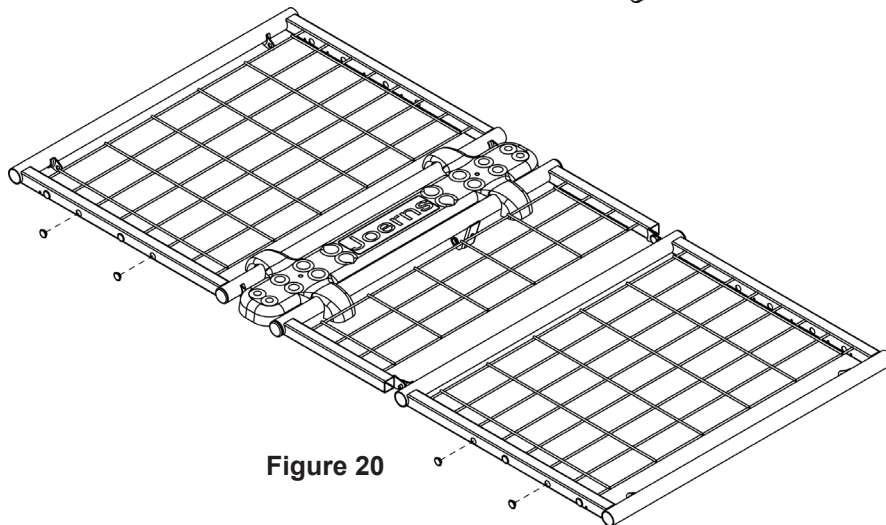


Figure 20

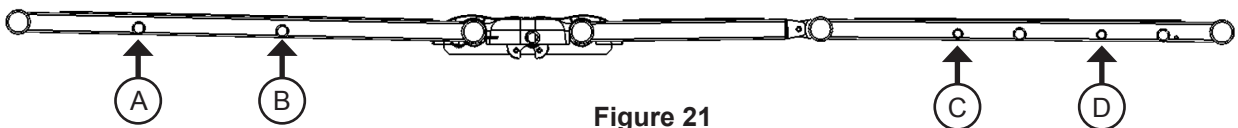


Figure 21

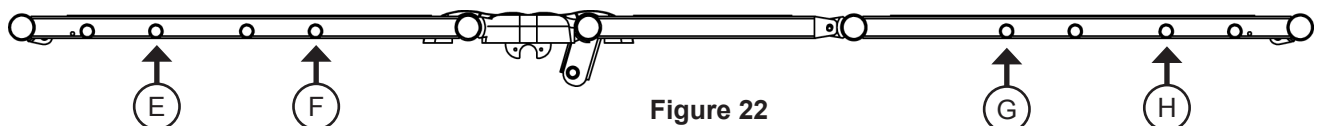


Figure 22



Joerns Healthcare Warranty Program for all Joerns Assist Devices and Side Rails

Joerns assist devices and side rails are guaranteed for a period of 12 months from the date of delivery against defects in materials and workmanship under normal use and service.

Steel structural components and welds are covered under warranty for a period of 10 years from the date of delivery.

Damage caused by use in unsuitable environmental conditions, abuse or failure to maintain the product in accordance with user and service instructions is not covered.

Any alteration, modification, or repair unless performed by or authorized in writing by Joerns Healthcare, will void this warranty.

Parts

This warranty does not apply to damage or defects caused by misuse, incorrect handling or installation by a non-authorized installer. Damage caused by use in unsuitable environmental conditions or failure to maintain the product in accordance with user and service instructions is not covered.

The product contains various parts that wear from normal use. These parts, such as plastic bushings, are not covered under the 12-month warranty, but are covered for 90 days after purchase of product.

Joerns Healthcare's obligation under this warranty is limited to supplying replacement parts, servicing or replacing, at its option, any product which is found by Joerns Healthcare to be defective.

Warranty replacement parts are covered by the terms of this warranty until the product's original warranty period expires.

When requested by Joerns Healthcare, parts must be returned for inspection at the customer's expense. Credit will be issued only after inspection.

Service

Most service requests can be handled by the facility Maintenance Department with assistance from the Joerns Healthcare Product Service Department.

Most parts requested can be shipped next day air at the customer's expense.

Should a technician be required, one will be provided by Joerns Healthcare, at our discretion. Only the Joerns Healthcare Product Service Department can dispatch authorized technicians.

This warranty is extended to the original purchaser of the equipment.

Post Acute, Acute, HomeCare
2430 Whitehall Park Dr. Ste 100
Charlotte, NC 28273
(P) 800.826.0270
(F) 800.457.8827

VA/Government
19748 Dearborn Street
Chatsworth, CA 91311
(P) 800.966.6662
(F) 800.232.9796

Canadian Office
1000 Clarke Rd. Ste 6
London, ON Canada N5V 3A9
(P) 866.546.1151
(F) 519.451.8662

**United Kingdom and
Other Countries**
+44 (0)844 811 1156
+44 (0)844 811 1157

Netherlands
+31 (0)30 6363700
+31 (0)30 6363799