



565DG

**TO ORDER: Tel 800-347-5678 • Fax 800-726-0601 • [www.grahamfield.com](http://www.grahamfield.com)**

**Returns: Parts may not be returned without prior authorization from GF Health Products, Inc. Custom parts cannot be returned for credit. Please refer to GF Health Products, Inc. Terms and Conditions for further information.**

**GF Health Products, Inc. is not responsible for typographical errors. Packaging, warranties, products and specifications are subject to change without notice. Lumex® and Graham-Field® are registered trademarks of GF Health Products, Inc.**

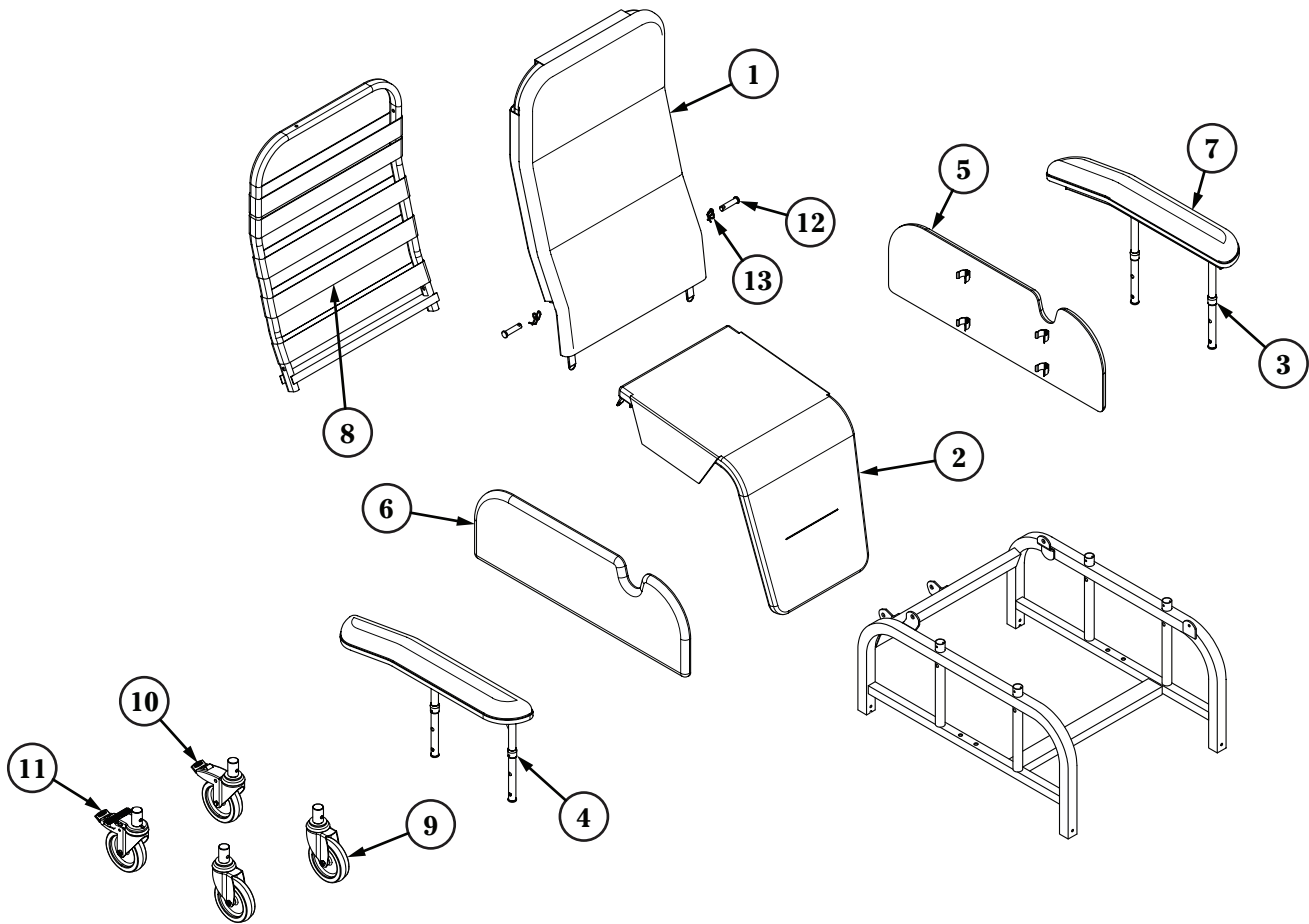


**GRAHAM-FIELD.**

© June 2009, GF Health Products, Inc., All Rights Reserved

GF Health Products, Inc. • 2935 Northeast Parkway, Atlanta, GA 30360 • tel 800-347-5678 • fax 800-721-0602 • [www.grahamfield.com](http://www.grahamfield.com)

# 565DG Recliner: Replacement Parts List



	ITEM NUMBER	DESCRIPTION	QTY/UNIT
1A	56512UXXX	Back Upholstery	1 each
1B	56512UXXXFR	Back Upholstery (CA-133 Fire Rated)	1 each
2A	56511UXXX	Seat and Legrest Upholstery	1 each
2B	56511UXXXFR	Seat and Legrest Upholstery (CA-133 Fire Rated)	1 each
3	5654A825G	Left Drop Arm Assembly	1 each
4	5654A815G	Right Drop Arm Assembly	1 each
5	56548UXXXFR	Left Side Panel, Upholstered	1 each
6	56549UXXXFR	Right Side Panel, Upholstered	1 each
7	56575UXXXFR	Armrest Upholstery (CA-133 Fire Rated)	1 each
8	UW420000	Flex Back Webbing, 2"	1 each
9	WC150006	Front Caster	1 each
10	WB170017	Left Rear Locking Caster	1 each
11	WB170034	Right Rear Directional Locking Caster	1 each
12	HP327220	Clevis Pin	1 each
13	HP349160	Rue Ring Cotter Clip	1 each