



2800A, 2800GA VERSA-HELPER TRAPEZE: ASSEMBLY AND OPERATION INSTRUCTIONS

SAVE THESE INSTRUCTIONS FOR FUTURE USE

Info: The most current version of these instructions can be found online at www.grahamfield.com.

SAFETY GUIDELINES — PLEASE READ BEFORE USE

- ⚠ **WARNING:** Important: Read and understand these instructions before installing or using the 2800A/2800GA Versa-Helper Trapeze. Ensure the Trapeze is installed as described in the following paragraphs before use. If you do not understand any part of these warnings, cautions or instructions, contact a healthcare professional for direction in the use of this product. If the Trapeze is not properly installed, personal injury and/or property damage could result.
- ⚠ **WARNING:** The trapeze, when used in conjunction with a bed, can assist an individual with a maximum weight of 250 lb.
- ⚠ **WARNING:** If components are damaged or missing, contact your GF authorized distributor immediately. **DO NOT** use substitute parts.
- ⚠ **WARNING:** Notice for California Customers- California Proposition 65 **WARNING:** This product contains a chemical known to the State of California to cause cancer and reproductive or developmental harm.
- ⚠ **WARNING:** GF Health Products, Inc. assumes no responsibility for any damage or injury caused by improper installation, assembly or use of this product.

INTENDED USE

The 2800A/2800GA Versa-Helper Trapeze is intended to assist in repositioning oneself in bed.

- ⚠ **WARNING:** The Trapeze is intended to be used **ONLY** as an assistive device — that is, to enable patients to more easily and safely reposition themselves. It is not intended to bear entire body weight.

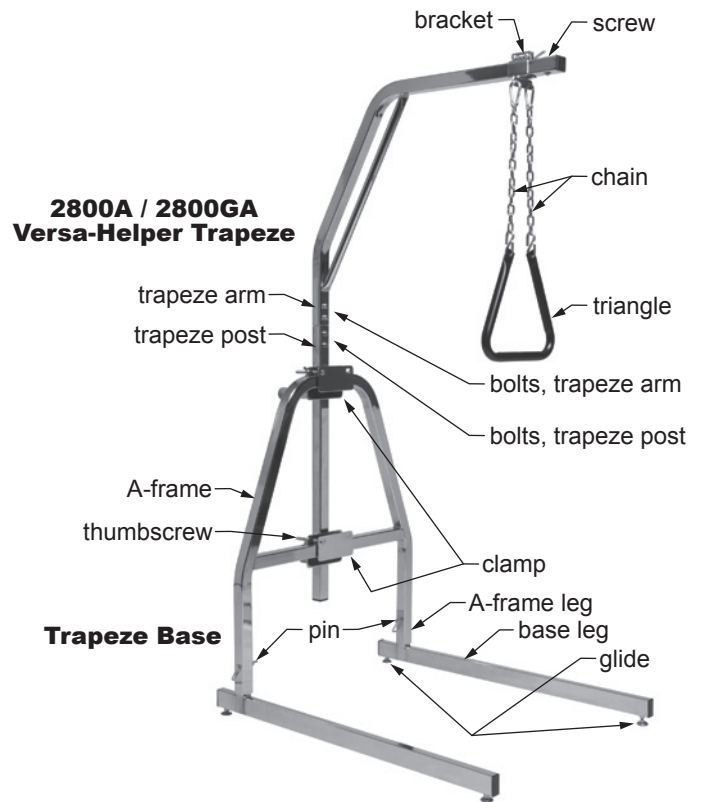
ASSEMBLY

Trapeze Assembly — Refer to Picture on Next Page

Tools needed: M14 wrench, Phillips screwdriver, Pliers

1. Use screwdriver to remove the screw, labeled in picture at right, at top end of trapeze arm.
2. Slide bracket onto trapeze arm with chains downward as shown.
3. Adjust bracket to desired position; use the T-screw on top of the bracket to tighten it.
4. Reinstall screw at top end of trapeze arm; use screwdriver to tighten.
5. Slide bottom of trapeze arm over top of trapeze post as shown.
6. Install washers on bolts. Install four bolts through trapeze arm into connecting rod at top of trapeze post. Tighten securely.

Info: *The trapeze is now ready to be installed on either the trapeze base (instructions follow) or on bed headboard clamps (instructions on following page).*



Trapeze-Base Assembly — Refer to Picture at Above Right

1. Place the two base legs on the floor parallel to each other with leveling glides on the floor, as shown at above right.
2. Attach the A-frame to the base legs: Slide the A-frame legs down over the upright posts that project upward from the base legs. Slide the locking pins through both base legs and A-frame legs. Slide loops over ends of locking pins.
3. Install clamps on A-frame as shown at above right; use the thumbscrews on both sides of the clamps to tighten them. Ensure that clamps are secure on A-frame.
4. Install trapeze post in both clamp center tubes; adjust trapeze to desired height, ensuring that it passes completely through both center clamps. Use the wing nuts on clamp center tubes to tighten clamps. Ensure that trapeze post is secure in clamps.

Trapeze-Bed Headboard Assembly - Refer to Picture at Right

⚠ **WARNING:** Perform this assembly while bed is unoccupied.

⚠ **WARNING:** Attach trapeze and clamps to metal-frame headboard **ONLY**.

1. Slide upper clamp onto bottom of trapeze post so that it is oriented as shown at right.
2. Slide lower clamp onto bottom of trapeze post so that it is oriented as shown at right.
3. Assemble both clamps onto bed headboard as shown; use the thumbscrews on both sides of the clamps to tighten them. Ensure clamps are secure on headboard.
4. Adjust trapeze to desired height, ensuring that it passes completely through both center clamps. Use the wing nuts on clamp center tubes to tighten clamps. Ensure trapeze post is secure in clamps.



Trapeze mounted on bed headboard

TRAPEZE OPERATION

⚠ **WARNING:** Before use, ensure trapeze is correctly and securely assembled, and all clamps and fasteners are tight.

⚠ **WARNING:** The Trapeze is intended to be used **ONLY** as an assistive device — that is, to enable patients to more easily and safely reposition themselves. It is not intended to bear entire body weight.

⚠ **WARNING:** When using trapeze assembled to bed headboard, ensure bed casters are locked during trapeze use, to prevent unintended bed movement.

MAINTENANCE AND CLEANING

⚠ **WARNING:** During use, ensure trapeze components are securely fastened at all times.

Cleaning

Use a soft cloth, dampened with water and a mild NON-ABRASIVE detergent (household cleaner, soapy water, or hospital grade disinfectant), to clean the trapeze.

LIMITED WARRANTY

SCOPE OF WARRANTY

GF Health Products, Inc. (“GF”) warrants to the original purchaser only that it will replace or repair components, at GF’s sole discretion, that are defective in material or workmanship under normal use and service. All warranties are conditioned upon the proper use of the products strictly in accordance with good commercial practice and applicable GF instructions and manuals, including proper use and maintenance. To the extent that a component is warranted by a third party, GF conveys all of its rights under that warranty to the original purchaser, to the extent permitted. This limited warranty shall only apply to defects that are reported to GF’s customer service team within the applicable warranty period and which, upon examination by GF or its authorized representative, prove to be a warranty item. This limited warranty is not transferable. Within the guidelines set forth in this document, this product is warranted for three (3) years. The applicable warranty period shall commence from date of shipment to the original customer, unless there is an expiration date on the component in which case the warranty shall expire on the earlier of warranty period or the expiration date.

OBTAINING WARRANTY SERVICE

This limited warranty shall only apply to defects that are reported to the Distributor from whom the Customer purchased the product within the applicable warranty period. If there is not a Distributor, you must contact GF directly by calling 1-770-368-4700, sending a fax request to 1-770-368-2386, or by e-mailing a request to cs@grahamfield.com. Specific directions will be provided by the Customer Service Representative. Failure to abide by the specific directions will result in denial of the warranty claim.

EXCLUSIONS

The warranty does not cover and GF shall not be liable for the following:

- 1) Defects, damage, or other conditions caused, in whole or in part, by misuse, abuse, negligence, alteration, accident, freight damage, tampering or failure to seek and obtain repair or replacement in a timely manner;
- 2) Products which are not installed, used, or properly cleaned and maintained as required in the official manual for the applicable product;
- 3) Products considered to be of a non-durable nature including, but not limited to: casters, filters, fuses, gaskets, lubricants, and charts;
- 4) Accessories or parts not provided by GF;
- 5) Charges by anyone for adjustments, repairs, replacement parts, installation or other work performed upon or in connection with such products which are not expressly authorized in writing, in advance, by GF;
- 6) Any labor or shipping charges incurred in the replacement part installation or repair;
- 7) Costs and expenses of regular maintenance and cleaning; and
- 8) Representations and warranties made by any person or entity other than GF.

ENTIRE WARRANTY, EXCLUSIVE REMEDY AND CONSEQUENTIAL DAMAGES DISCLAIMER

THIS WARRANTY IS GF'S ONLY WARRANTY AND IS IN LIEU OF ALL OTHER WARRANTIES, EXPRESS OR IMPLIED. GF MAKES NO IMPLIED WARRANTIES OF ANY KIND INCLUDING ANY IMPLIED WARRANTIES OF MERCHANTABILITY OR FITNESS FOR A PARTICULAR PURPOSE. IF ANY MODEL OR SAMPLE WAS SHOWN TO THE CUSTOMER, SUCH MODEL OR SAMPLE WAS USED MERELY TO ILLUSTRATE THE GENERAL TYPE AND QUALITY OF THE PRODUCT AND NOT TO REPRESENT THAT THE PRODUCT WOULD NECESSARILY CONFORM TO THE MODEL OR SAMPLE IN ALL RESPECTS. THIS WARRANTY IS LIMITED TO THE REPAIR OR REPLACEMENT OF THE DEFECTIVE PARTS. GF SHALL NOT BE LIABLE FOR AND HEREBY DISCLAIMS ANY DIRECT, SPECIAL, INDIRECT, INCIDENTAL, EXEMPLARY OR CONSEQUENTIAL DAMAGES, INCLUDING, BUT NOT LIMITED TO: DAMAGES FOR LOSS OF PROFITS OR INCOME, LOSS OF USE, DOWNTIME, COVER, OR EMPLOYEE OR INDEPENDENT CONTRACTOR WAGES, PAYMENTS AND BENEFITS.

The warranties contained herein contain all the representations and warranties with respect to the subject matter of this document, and supersede all prior negotiations, agreements and understandings with respect thereto. The recipient of this document hereby acknowledges and represents that it has not relied on any representation, assertion, guarantee, warranty, collateral contract or other assurance, except those set out in this document.

For additional information on this product or this warranty, please contact a GF Customer Service Representative.

NOTES:

- 1) Additional terms and conditions may apply.
- 2) Freight claims must be notated on the appropriate shipping documents and must be made with immediacy. International, federal and state regulations govern specific requirements for freight claims. Failure to abide by those regulations may result in a denial of the freight claim. GF will assist you in filing the freight claim.
- 3) Claims for any short shipment must be made within three (3) days of the invoice date.



1.770.368.4700

Information contained herein is subject to change.

The most current and complete product information can be found on our website.

www.grahamfield.com



© 2007, GF Health Products, Inc. All Rights Reserved.
Lumex and Graham-Field are trademarks of GF Health Products, Inc.
GF Health Products, Inc. is an ISO 13485 Certified Company.
Manufactured for GF Health Products, Inc.
Made in Taiwan